

F.A.I. RTE.	SECTION	COUNTY	TOTAL SHEETS	SHEET NO.
I-72		SANGAMON	194	1
		ILLINOIS	CONTRACT NO. 72C90	

* (84-10-1RS-3, 84-10-2RS-4)BR, I

PART "A"

- 1 PART "A"
BEGIN IMPROVEMENT
SECTION (84-10-1RS-3, 84-10-2RS-4)BR, I
I-72 STATION 13+32.00 (EB) &
STA. 15+40.00 (WB)
- 2 SN 084-0150
STA. 48+76.46 (FAI 72) =
STA. 100+01.88 (MECHANICSBURG RD)
- 3 SN 084-2011
EXIST. BOX CULVERT
STA. 68+55.02
- 4 SN 084-0151
STA. 161+04.98 (FAI 172) =
STA. 200+00.00 (TR 171)
- 5 BRIDGE OMISSION:
SN 084-0152 OVER SANGAMON RIVER
STA. 193+08.04 TO STA. 201+56.86 (FAI 72, WB)
SN 084-0153 OVER SANGAMON RIVER
STA. 193+22.30 TO STA. 201+41.12 (FAI 72, EB)
- 6 SN 084-0154
STA. 269+23.08 (FAI 72) =
STA. 299+80.31 (TR 420)
- 7 PART "A"
END IMPROVEMENT
SECTION (84-10-1RS-3, 84-10-2RS-4)BR, I
STATION EQUATION:
STA. 295+70.43 (BK) = STA. 0+00.00 (AH)
- 8 PART "A"
SHOULDER RUMBLE STRIPS IMPROVEMENT
I-72/CLEARLAKE AVE.
STA. 34+00.00 TO STA. 70+81.00 (EB)
STA. 34+00.00 TO STA. 70+81.00 (WB)

PART "B"

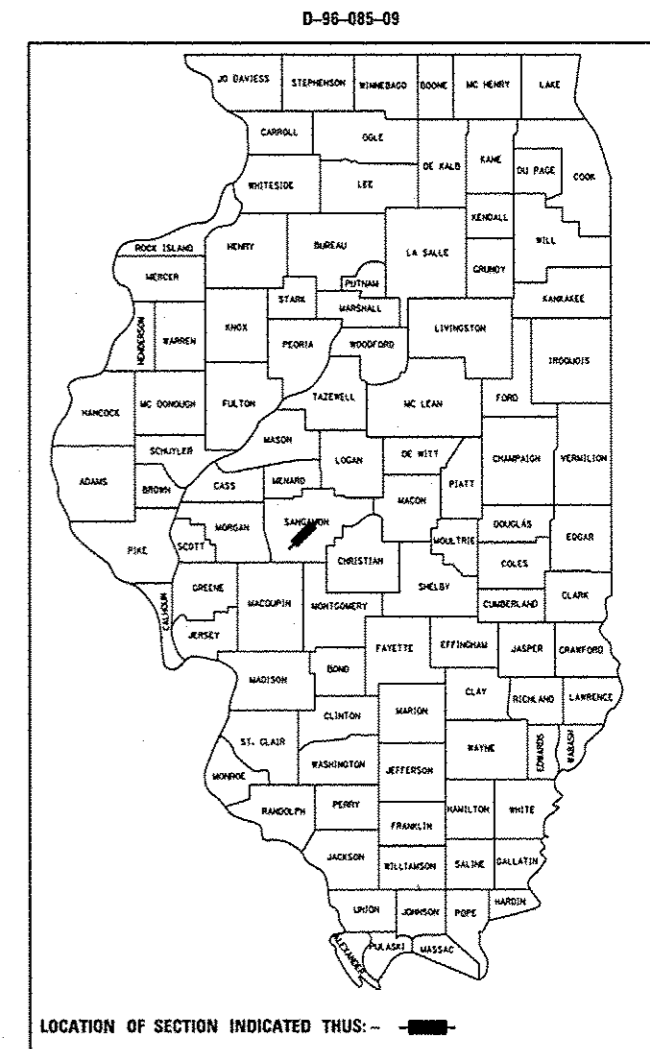
- 8 PART "B"
BEGIN IMPROVEMENT
SECTION (84-10-1RS-3, 84-10-2RS-4)BR, I
STA. 276+08.75 (TR 420)
- 9 PART "B"
END IMPROVEMENT
SECTION (84-10-1RS-3, 84-10-2RS-4)BR, I
STA. 313+50.00 (TR 420)
- 10 PART "B"
BEGIN IMPROVEMENT
STA. 85+48.50 (CH 12)
- 11 PART "B"
END IMPROVEMENT
STA. 112+26.46 (CH 12)

STATE OF ILLINOIS 11-08-2013 LETTING ITEM 040

DEPARTMENT OF TRANSPORTATION
DIVISION OF HIGHWAYS
**PROPOSED
HIGHWAY PLANS**

SECTION **FAI 72 (I-72)**
(84-10-1RS-3, 84-10-2RS-4)BR, I
PROJECT ACNHPP-0072(401)
**HMA RESURFACING, BRIDGE REHABILITATION
SANGAMON COUNTY**

C-96-085-09



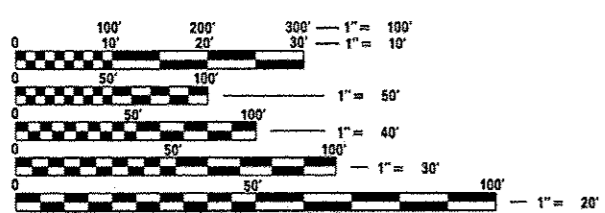
LOCATION OF SECTION INDICATED THUS: - [shaded box] -

FAI 72
FUNCTION CLASS = INTERSTATE
ADT (2012) 13,500
SU (2012) 610
MU (2012) 1,430
PV (2012) 11,460

STATE OF ILLINOIS
DEPARTMENT OF TRANSPORTATION
DIVISION OF HIGHWAYS
SUBMITTED September 6, 2013
Roger D. Dickel
DEPUTY DIRECTOR OF HIGHWAYS, REGION ENGINEER
October 4, 2013
John D. Baranzelli, P.E.
ENGINEER OF DESIGN AND ENVIRONMENT
October 4, 2013
Emet Osman, P.E.
DIRECTOR OF HIGHWAYS, CHIEF ENGINEER

**PRINTED BY THE AUTHORITY
OF THE STATE OF ILLINOIS**

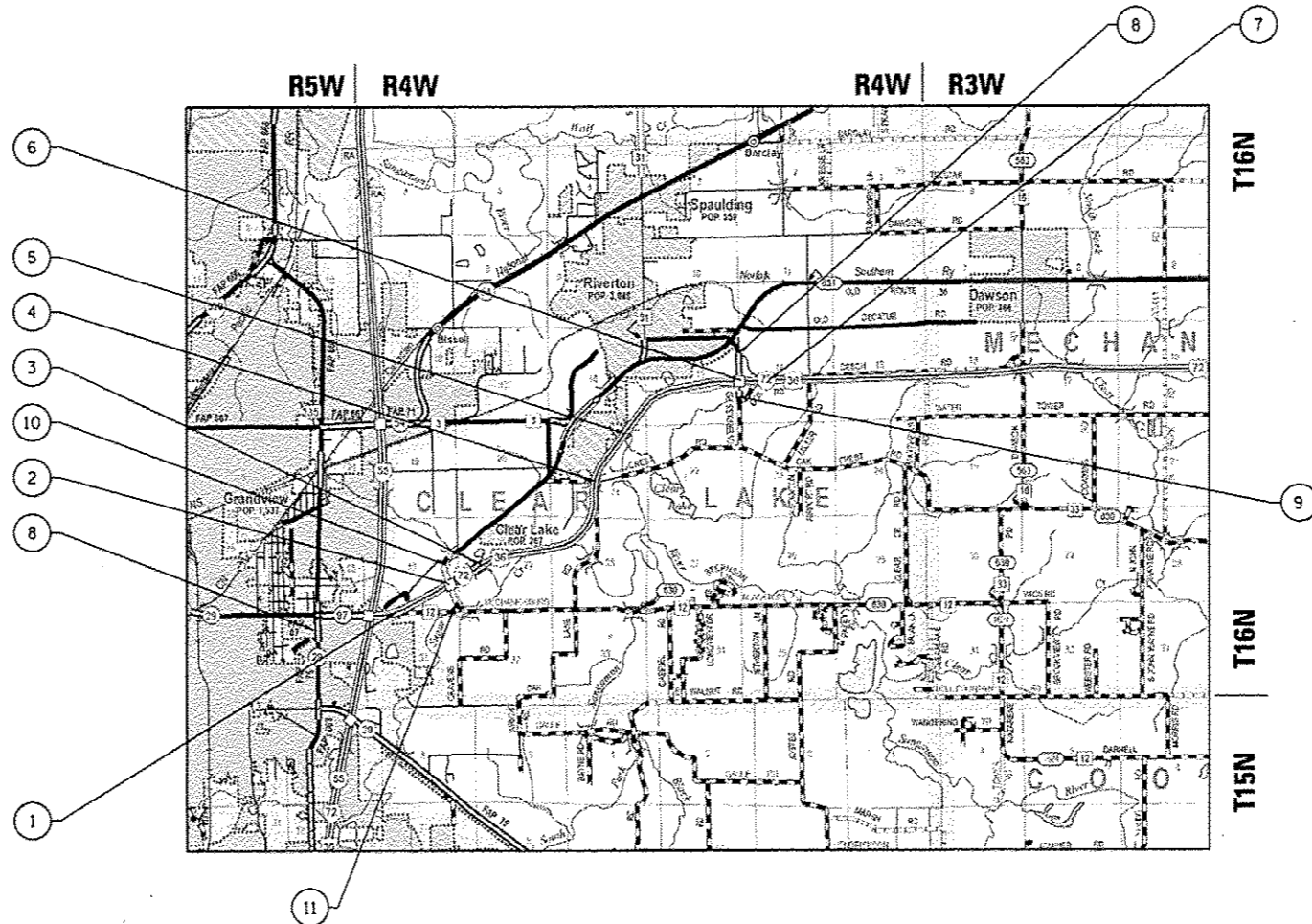
FOR INDEX OF SHEETS, SEE SHEET NO. 2 OF 194



FULL SIZE PLANS HAVE BEEN PREPARED USING STANDARD ENGINEERING SCALES. REDUCED SIZED PLANS WILL NOT CONFORM TO STANDARD SCALES. IN MAKING MEASUREMENTS ON REDUCED PLANS, THE ABOVE SCALES MAY BE USED.

J.U.L.I.E.
JOINT UTILITY LOCATION INFORMATION FOR EXCAVATION
1-800-892-0123
OR 811

PROJECT ENGINEER: VINCE MADONIA (217) 785-9046
PROJECT MANAGER: VICTOR YOUNG (217) 557-7897
CONTRACT NO. 72C90



PART "A"
GROSS LENGTH = 27,389.61 FT = 5.187 MILES
NET LENGTH = 27,389.61 FT = 5.187 MILES

PART "B"
GROSS LENGTH = 17,889.02 FT = 3.388 MILES
NET LENGTH CH 12 (MECHANICSBURG RD.) = 16,300.00 FT = 0.309 MILES
NET LENGTH TR 420 (OVERPASS RD.) = 1,589.02 FT = 0.0301 MILES

INDEX OF SHEETS

- 1. COMBINED COVER SHEET
- 2. COMBINED INDEX AND HIGHWAY STANDARDS
- 3. - 13. COMBINED SUMMARY OF QUANTITIES

PART "A" PLANS

- 14. COVER SHEET
- 15. GENERAL NOTES & COMMITMENTS
- 16. - 17. SUMMARY OF QUANTITIES
- 18. - 20. TYPICAL SECTIONS
- 21. - 28. SCHEDULES
- 29. - 53. PLAN SHEETS
- 54. - 55. SUPERELEVATION DETAILS
- 56. - 57. BUTT JOINT & HMA RAMP DETAILS
- 58. EMERGENCY CROSSOVER DETAILS

PART "B" PLANS

- 59. COVER SHEET
- 60. GENERAL NOTES & COMMITMENTS
- 61. - 69. SUMMARY OF QUANTITIES
- 70. - 74. TYPICAL SECTIONS
- 75. - 83. SCHEDULES
- 84. ALIGNMENT, TIES & BENCHMARKS
- 85. - 91. PLAN & PROFILE SHEETS
- 92. - 97. MEDIAN & ISLAND DETAILS
- 98. - 110. MAINTENANCE OF TRAFFIC PLANS
- 111. - 112. DOWELLED MEDIAN DETAIL
- 113. - 139. BRIDGE PLANS SN 084-0150 (CH-12)
- 140. - 147. BRIDGE PLANS SN 084-0151 (TR-171)
- 148. - 172. BRIDGE PLANS SN 084-0154 (TR-420)
- 173. - 174. SUPERELEVATION DETAILS
- 175. BUTT JOINT & HMA RAMP DETAILS
- 176. BRIDGE APPROACH PAVEMENT CONNECTOR DETAIL
- 177. MISCELLANEOUS DETAILS
- 178. - 194. CROSS SECTIONS

HIGHWAY STANDARDS

000001-06	701406-06	701201-04
001001-02	701411-08	701304-03
001006	701421-05	704001-07
442001-04	701422-05	442201-03
442101-07	701446-04	
635001-01	701456-02	
642001-02	701901-02	
701101-03	780001-03	
701106-02	781001-03	
701400-06	701321-13	
701401-07	701451-01	

NOTE: WHEREVER IN THESE PLANS SUMMARY OF QUANTITIES FOR PART "A" (PLAN SHEETS 16 - 17) AND SUMMARY OF QUANTITIES PART "B" (PLAN SHEETS 61 - 69) IS MENTIONED IT SHALL MEAN SCHEDULE OF QUANTITIES FOR PART "A" AND SCHEDULE OF QUANTITIES FOR PART "B". THE ONLY SUMMARY OF QUANTITIES THAT SHOULD BE USED FOR BIDDING PURPOSES IS THE COMBINED SUMMARY OF QUANTITIES THAT ARE PLAN SHEETS 3 THROUGH 13.

DISTRICT SIX		
EXAMINED	8/6	20 13
<i>Bill Ryan</i>		
OPERATIONS ENGINEER		
EXAMINED	July 29	20 13
<i>Jim Fiel</i>		
PROJECT IMPLEMENTATION ENGINEER		
EXAMINED	July 30	20 13
<i>DRM</i>		
PROGRAM DEVELOPMENT ENGINEER		

Rev.

CODE NO.	ITEM	UNIT	TOTAL QUANTITY	CONSTRUCTION CODE			
				90% FED 10% STATE ROADWAY	90% FED 10% STATE BRIDGE	90% FED 10% STATE BRIDGE	90% FED 10% STATE BRIDGE
				0004	0014	0014	0014
				NONE	S.N.084-0150	S.N. 084-0151	S.N. 084-0154
20200100	EARTH EXCAVATION	CU YD	514	514			
20400800	FURNISHED EXCAVATION	CU YD	573	573			
20700110	POROUS GRANULAR EMBANKMENT	TON	50		25		25
20800150	TRENCH BACKFILL	CU YD	46	46			
25000200	SEEDING, CLASS 2	ACRE	0.9	0.9			
25000400	NITROGEN FERTILIZER NUTRIENT	POUND	90	90			
25000500	PHOSPHORUS FERTILIZER NUTRIENT	POUND	90	90			
25000600	POTASSIUM FERTILIZER NUTRIENT	POUND	90	90			
25000700	AGRICULTURAL GROUND LIMESTONE	TON	2	2			
25100115	MULCH, METHOD 2	ACRE	0.9	0.9			
28000250	TEMPORARY EROSION CONTROL SEEDING	POUND	100	100			
28000400	PERIMETER EROSION BARRIER	FOOT	2754	2754			
28100107	STONE RIPRAP, CLASS A4	SQ YD	736	736			
28200200	FILTER FABRIC	SQ YD	736	736			

14

FILE NAME *	USER NAME * sporksg*	DESIGNED -	REVISED -	STATE OF ILLINOIS DEPARTMENT OF TRANSPORTATION	SUMMARY OF QUANTITIES COMBINED- PARTS "A" & "B"				F.A.I. RTE.	SECTION	COUNTY	TOTAL SHEETS	SHEET NO.
e:\p\...dot\sporksg\0221183\0672	CB- sht-S00.dgn	DRAWN -	REVISED -		SCALE:	SHEET	OF	SHEETS	STA.	TO STA.	SANGAMON	194	3
Default	PLOT SCALE * 100.0000 ' / in.	CHECKED -	REVISED -						* (84-10-1RS-3, 84-10-2RS-4)BR.1		CONTRACT NO. 72C90		
	PLOT DATE * Sep-08-2013 10:42:40AM	DATE -	REVISED -						[ILLINOIS] FED. AID PROJECT				

CODE NO.	ITEM	UNIT	TOTAL QUANTITY	CONSTRUCTION CODE			
				90% FED 10% STATE ROADWAY	90% FED 10% STATE BRIDGE	90% FED 10% STATE BRIDGE	90% FED 10% STATE BRIDGE
				0004	0014	0014	0014
				NONE	S.N.084-0150	S.N.084-0151	S.N.084-0154
31101000	SUBBASE GRANULAR MATERIAL, TYPE B	TON	552.1	552.1			
35501319	HOT-MIX ASPHALT BASE COURSE, 8 3/4"	SQ YD	728	728			
35501324	HOT-MIX ASPHALT BASE COURSE, 10"	SQ YD	652	652			
35501341	HOT-MIX ASPHALT BASE COURSE, 14 1/4"	SQ YD	715	715			
X4060115	POLYMERIZED BITUMINOUS MATERIALS (PRIME COAT)	POUND	141,868	141,868			
40600300	AGGREGATE (PRIME COAT)	TON	26.8	26.8			
40600837	POLYMERIZED LEVELING BINDER (MACHINE METHOD), N70	TON	707	707			
40600895	CONSTRUCTING TEST STRIP	EACH	4	4			
40600982	HOT-MIX ASPHALT SURFACE REMOVAL - BUTT JOINT	SQ YD	2952	2952			
40600990	TEMPORARY RAMP	SQ YD	2230	2230			
40603235	POLYMERIZED HOT-MIX ASPHALT BINDER COURSE, IL-19.0, N70	TON	2308	2308			
40603240	POLYMERIZED HOT-MIX ASPHALT BINDER COURSE, IL-19.0, N90	TON	40464	40464			
40603515	POLYMERIZED HOT-MIX ASPHALT SURFACE COURSE, MIX "C", N70	TON	1200	1200			
40603545	POLYMERIZED HOT-MIX ASPHALT SURFACE COURSE, MIX "D", N90	TON	15304	15304			

14

Rev.

CODE NO.	ITEM	UNIT	TOTAL QUANTITY	CONSTRUCTION CODE			
				90% FED 10% STATE ROADWAY	90% FED 10% STATE BRIDGE	90% FED 10% STATE BRIDGE	90% FED 10% STATE BRIDGE
				0004	0014	0014	0014
				NONE	S.N.084-0150	S.N.084-0151	S.N.084-0154
42001430	BRIDGE APPROACH PAVEMENT CONNECTOR (FLEXIBLE)	SQ YD	75	75			
42001500	P.C. CONCRETE BRIDGE APPROACH SHOULDER PAVEMENT	SQ YD	134	134			
44000100	PAVEMENT REMOVAL	SQ YD	736	736			
44000151	HOT-MIX ASPHALT SURFACE REMOVAL, 1/2"	SQ YD	77678	77678			
44000152	HOT-MIX ASPHALT SURFACE REMOVAL, 3/4"	SQ YD	11354	11354			
44000155	HOT-MIX ASPHALT SURFACE REMOVAL, 1 1/2"	SQ YD	27233	27233			
44000159	HOT-MIX ASPHALT SURFACE REMOVAL, 2 1/2"	SQ YD	2863	2863			
44000161	HOT-MIX ASPHALT SURFACE REMOVAL, 3"	SQ YD	2293	2293			
44000162	HOT-MIX ASPHALT SURFACE REMOVAL, 3 1/4"	SQ YD	101362	101362			
44000167	HOT-MIX ASPHALT SURFACE REMOVAL, 4 1/2"	SQ YD	80387	80387			
44000500	COMBINATION CURB AND GUTTER REMOVAL	FOOT	6956.4	6956.4			
44003100	MEDIAN REMOVAL	SQ FT	633.2	633.2			
44004250	PAVED SHOULDER REMOVAL	SQ YD	100	100			
44200525	CLASS A PATCHES, TYPE I, 8 INCH	SQ YD	30	30			

14

FILE NAME * c:\p_w\work\paw\dot\aparksg\d822183\067	USER NAME * sparksg	DESIGNED -	REVISED -	STATE OF ILLINOIS DEPARTMENT OF TRANSPORTATION	SUMMARY OF QUANTITIES COMBINED- PARTS "A" & "B"		F.A.I. RTE.	SECTION	COUNTY	TOTAL SHEETS	SHEET NO.	
Default	PLOT SCALE * 1/8"=1'-0"	DRAWN -	REVISED -		SCALE:	SHEET	OF	SHEETS	STA.	TO	STA.	ILLINOIS FED. AID PROJECT
	PLOT DATE * Sep-86-29 10:43:45AM	CHECKED -	REVISED -									
		DATE -	REVISED -									

CODE NO.	ITEM	UNIT	TOTAL QUANTITY	CONSTRUCTION CODE			
				90% FED 10% STATE ROADWAY	90% FED 10% STATE BRIDGE	90% FED 10% STATE BRIDGE	90% FED 10% STATE BRIDGE
				0004	0014	0014	0014
				NONE	S.N.084-0150	S.N.084-0151	S.N.084-0154
44200529	CLASS A PATCHES, TYPE II, 8 INCH	SQ YD	60	60			
44200929	CLASS B PATCHES, TYPE I, 8 INCH	SQ YD	20	20			
44200934	CLASS B PATCHES, TYPE II, 8 INCH	SQ YD	40	40			
44201299	DOWEL BARS 1 1/2"	EACH	170	170			
44201741	CLASS D PATCHES, TYPE II, 8 INCH	SQ YD	95	95			
44201745	CLASS D PATCHES, TYPE III, 8 INCH	SQ YD	70	70			
44201747	CLASS D PATCHES, TYPE IV, 8 INCH	SQ YD	100	100			
44213100	PAVEMENT FABRIC	SQ YD	150	150			
44213200	SAW CUTS	FOOT	1400	1400			
44213204	TIE BARS 3/4"	EACH	6	6			
48102100	AGGREGATE WEDGE SHOULDER, TYPE B	TON	12245	12245			
48203042	HOT-MIX ASPHALT SHOULDERS, 11 1/4"	SQ YD	60	60			
48203047	HOT-MIX ASPHALT SHOULDERS, 12 1/2"	SQ YD	40	40			
48203100	HOT-MIX ASPHALT SHOULDERS	TON	17069	17069			

14

FILE NAME :	USER NAME : sparksgw	DESIGNED -	REVISED -	STATE OF ILLINOIS DEPARTMENT OF TRANSPORTATION	SUMMARY OF QUANTITIES COMBINED- PARTS "A" & "B"				F.A.I. RTE.	SECTION	COUNTY	TOTAL SHEETS	SHEET NO.
Default	Plot Scale : 1/2" = 100'	DRAWN -	REVISED -		SCALE:	SHEET	OF	SHEETS	STA.	TO STA.	SANGAMON	194	6
	PLOT DATE : Sep-08-2013 10:14:07AM	CHECKED -	REVISED -		CONTRACT NO. 72C90								
		DATE -	REVISED -		ILLINOIS FED. AID PROJECT								

CODE NO.	ITEM	UNIT	TOTAL QUANTITY	CONSTRUCTION CODE			
				90% FED 10% STATE ROADWAY	90% FED 10% STATE BRIDGE	90% FED 10% STATE BRIDGE	90% FED 10% STATE BRIDGE
				0004	0014	0014	0014
				NONE	S.N.084-0150	S.N.084-0151	S.N.084-0154
50102400	CONCRETE REMOVAL	CU YD	107.2		99.2	5.4	2.6
50104650	SLOPE WALL REMOVAL	SQ YD	18		10		8
50104720	REMOVAL OF EXSTING CONCRETE DECK	EACH	2		1		1
50105220	PIPE CULVERT REMOVAL	FOOT	236	236			
50157300	PROTECTIVE SHIELD	SQ YD	1405		596	313	496
50300225	CONCRETE STRUCTURES	CU YD	176.5		120.5		56
50300255	CONCRETE SUPERSTRUCTURE	CU YD	1572.7		810.9	5.4	756.4
50300260	BRIDGE DECK GROOVING	SQ YD	2794		1247		1547
50300300	PROTECTIVE COAT	SQ YD	5095		2465	26	2604
50400805	FURNISHING AND ERECTING PRECAST PRESTRESSED CONCRETE I-BEAMS, 36 IN.	FOOT	370		370		
50500405	FURNISHING AND ERECTING STRUCTURAL STEEL	POUND	26670		12900		13770
50500505	STUD SHEAR CONNECTORS	EACH	3366		1656		1710
50800205	REINFORCEMENT BARS, EPOXY COATED	POUND	385870		193120	1330	191420
50800515	BAR SPLICERS	EACH	538		284	20	234

FILE NAME :	USER NAME :	DESIGNED :	REVISED :
es:\p\work\sp\dot\sporksg\ad221183\0672\08-shc-500.dgn	sporksg	-	-
Default	PLOT SCALE :	CHECKED :	REVISED :
	1/8" = 1'-0"	-	-
	PLOT DATE :	DATE :	REVISED :
	8/20/2013 10:44:47AM	-	-

**STATE OF ILLINOIS
DEPARTMENT OF TRANSPORTATION**

**SUMMARY OF QUANTITIES
COMBINED- PARTS "A" & "B"**

SCALE: SHEET OF SHEETS STA. TO STA.

F.A.I. RTE.	SECTION	COUNTY	TOTAL SHEETS	SHEET NO.
1-72	-	SANGAMON	194	7
ILLINOIS FED. AID PROJECT			CONTRACT NO. 72C90	

Rev.

CODE NO.	ITEM	UNIT	TOTAL QUANTITY	CONSTRUCTION CODE			
				90% FED 10% STATE ROADWAY	90% FED 10% STATE BRIDGE	90% FED 10% STATE BRIDGE	90% FED 10% STATE BRIDGE
				0004	0014	0014	0014
				NONE	S.N.084-0150	S.N. 084-0151	S.N. 084-0154
51100100	SLOPE WALL 4 INCH	SQ YD	18		10		8
51500100	NAME PLATES	EACH	2		1		1
52000110	PREFORMED JOINT STRIP SEAL	FOOT	342		136	72	134
52100110	FURNISHING ELASTOMERIC BEARING ASSEMBLY, TYPE I	EACH	36		18		18
52100520	ANCHOR BOLTS, 1"	EACH	72		36		36
52100530	ANCHOR BOLTS, 1 1/4"	EACH	18		18		
52100540	ANCHOR BOLTS, 1 1/2"	EACH	18				18
54215547	METAL END SECTIONS 12"	EACH	8	8			
58700300	CONCRETE SEALER	SQ FT	2847		2455		392
59300100	CONTROLLED LOW-STRENGTH MATERIAL	CU YD	9		5		4
60260100	INLETS TO BE ADJUSTED	EACH	2	2			
60500305	FILLING INLETS	EACH	6	6			
60608600	COMBINATION CONCRETE CURB AND GUTTER, TYPE M-6.06	FOOT	5494.1	5494.1			
60610400	COMBINATION CONCRETE CURB AND GUTTER, TYPE M-6.24	FOOT	144.2	144.2			

14

CODE NO.	ITEM	UNIT	TOTAL QUANTITY	CONSTRUCTION CODE			
				90% FED 10% STATE ROADWAY	90% FED 10% STATE BRIDGE	90% FED 10% STATE BRIDGE	90% FED 10% STATE BRIDGE
				0004	0014	0014	0014
				NONE	S.N.084-0150	S.N. 084-0151	S.N. 084-0154
60618300	CONCRETE MEDIAN SURFACE, 4 INCH	SQ FT	11460.1	11460.1			
60622400	CONCRETE MEDIAN, TYPE SM-6.06	SQ FT	3496.1	3496.1			
60900315	TYPE D INLET BOX, STANDARD 609006	EACH	8	8			
* 63000001	STEEL PLATE BEAM GUARDRAIL, TYPE A, 6 FOOT POSTS	FOOT	525	525			
* 63100085	TRAFFIC BARRIER TERMINAL, TYPE 6	EACH	6	6			
* 63100167	TRAFFIC BARRIER TERMINAL, TYPE 1 (SPECIAL) TANGENT	EACH	6	6			
63200310	GUARDRAIL REMOVAL	FOOT	1238	1238			
* 63301210	REMOVE AND REERECT STEEL PLATE BEAM GUARDRAIL, TYPE A	FOOT	175	175			
* 63301990	REMOVE AND REERECT TRAFFIC BARRIER TERMINALS, TYPE 1	EACH	2	2			
* 63302700	REMOVE AND REERECT TRAFFIC BARRIER TERMINALS, TYPE 6	EACH	2	2			
63500105	DELINEATORS	EACH	226	226			
64200116	SHOULDER RUMBLE STRIPS, 16 INCH	FOOT	110303	110303			
67000400	ENGINEER'S FIELD OFFICE, TYPE A	CAL MO	8	8			
67100100	MOBILIZATION	L SUM	1	1			

14

* SPECIALTY ITEM

FILE NAME =	USER NAME = sparksg	DESIGNED -	REVISED -	STATE OF ILLINOIS DEPARTMENT OF TRANSPORTATION	SUMMARY OF QUANTITIES COMBINED- PARTS "A" & "B"			F.A.I. RTE.	SECTION	COUNTY	TOTAL SHEETS	SHEET NO.	
c:\pwwork\pwwork\sparksg\10221103\10672	C:\90-sh1-500.dgn	DRAWN -	REVISED -		SCALE:	SHEET	OF	SHEETS	STA.	TO STA.	SANGAMON	194	9
Default	PLOT SCALE = 1/8"=1'-0"	CHECKED -	REVISED -		CONTRACT NO. 72C90								
	PLOT DATE = Sep-06-2013 10:45:52AM	DATE -	REVISED -		ILLINOIS FED. AID PROJECT								

CODE NO.	ITEM	UNIT	TOTAL QUANTITY	CONSTRUCTION CODE			
				90% FED 10% STATE ROADWAY	90% FED 10% STATE BRIDGE	90% FED 10% STATE BRIDGE	90% FED 10% STATE BRIDGE
				0004	0014	0014	0014
				NONE	S.N.084-0150	S.N.084-0151	S.N.084-0154
70100205	TRAFFIC CONTROL AND PROTECTION, STANDARD 701401	EACH	1	1			
70100310	TRAFFIC CONTROL AND PROTECTION, STANDARD 701421	L SUM	1	1			
70100320	TRAFFIC CONTROL AND PROTECTION, STANDARD 701422	L SUM	1	1			
70100405	TRAFFIC CONTROL AND PROTECTION, STANDARD 701321	EACH	1	1			
70100420	TRAFFIC CONTROL AND PROTECTION, STANDARD 701411	EACH	2	2			
70100450	TRAFFIC CONTROL AND PROTECTION, STANDARD 701201	L SUM	1	1			
70100700	TRAFFIC CONTROL AND PROTECTION, STANDARD 701406	L SUM	1	1			
70100460	TRAFFIC CONTROL AND PROTECTION, STANDARD 701306	L SUM	1	1			
70100800	TRAFFIC CONTROL AND PROTECTION, STANDARD 701401	L SUM	1	1			
70100815	TRAFFIC CONTROL AND PROTECTION, STANDARD 701446	L SUM	1	1			
70100820	TRAFFIC CONTROL AND PROTECTION, STANDARD 701451	L SUM	1	1			
70100825	TRAFFIC CONTROL AND PROTECTION, STANDARD 701456	L SUM	1	1			
70103815	TRAFFIC CONTROL SURVEILLANCE	CAL DA	30	30			
70106500	TEMPORARY BRIDGE TRAFFIC SIGNALS	EACH	1	1			
70106800	CHANGEABLE MESSAGE SIGN	CAL MO	16	16			
70200100	NIGHTTIME WORK ZONE LIGHTING	L SUM	1	1			

14

CODE NO.	ITEM	UNIT	TOTAL QUANTITY	CONSTRUCTION CODE			
				90% FED 10% STATE ROADWAY	90% FED 10% STATE BRIDGE	90% FED 10% STATE BRIDGE	90% FED 10% STATE BRIDGE
				0004	0014	0014	0014
				NONE	S.N.084-0150	S.N.084-0151	S.N.084-0154
70300100	SHORT TERM PAVEMENT MARKING	FOOT	15171	15171			
70300210	TEMPORARY PAVEMENT MARKING LETTERS AND SYMBOLS	SQ FT	130	130			
70300230	TEMPORARY PAVEMENT MARKING - LINE 5"	FOOT	144033	144033			
70300240	TEMPORARY PAVEMENT MARKING - LINE 6"	FOOT	933	933			
70300250	TEMPORARY PAVEMENT MARKING - LINE 8"	FOOT	7100	7100			
70300260	TEMPORARY PAVEMENT MARKING - LINE 12"	FOOT	748	748			
70301000	WORK ZONE PAVEMENT MARKING REMOVAL	SQ FT	5009	5009			
70400100	TEMPORARY CONCRETE BARRIER	FOOT	1950	1950			
70400200	RELOCATE TEMPORARY CONCRETE BARRIER	FOOT	1925	1925			
70600260	IMPACT ATTENUATORS, TEMPORARY (FULLY REDIRECTIVE, NARROW), TEST LEVEL 3	EACH	6	6			
70600332	IMPACT ATTENUATORS, RELOCATE (FULLY REDIRECTIVE, NARROW), TEST LEVEL 3	EACH	6	6			
* 78004200	PREFORMED PLASTIC PAVEMENT MARKING, TYPE B - INLAID - LETTERS AND SYMBOLS	SQ FT	255	255			
* 78004220	PREFORMED PLASTIC PAVEMENT MARKING, TYPE B - INLAID - LINE 5"	FOOT	15509	15509			
* 78004230	PREFORMED PLASTIC PAVEMENT MARKING, TYPE B - INLAID - LINE 6"	FOOT	933	933			

14

* SPECIALTY ITEM

FILE NAME *	USER NAME = sporksg	DESIGNED -	REVISED -	STATE OF ILLINOIS DEPARTMENT OF TRANSPORTATION	SUMMARY OF QUANTITIES COMBINED- PARTS "A" & "B"				F.A.I. RTE.	SECTION	COUNTY	TOTAL SHEETS	SHEET NO.
c:\p\work\p\work\porksg\0221183\062290-shl-500.dgn		DRAWN -	REVISED -		SCALE:	SHEET	OF	SHEETS	STA.	TO	STA.	194	11
Default	PLOT SCALE = 1/8"=1'-0"	CHECKED -	REVISED -		CONTRACT NO. 72C90								
	PLOT DATE = Sep-05-2013 10:46:39AM	DATE -	REVISED -		ILLINOIS FED. AID PROJECT								

CODE NO.	ITEM	UNIT	TOTAL QUANTITY	CONSTRUCTION CODE			
				90% FED 10% STATE ROADWAY	90% FED 10% STATE BRIDGE	90% FED 10% STATE BRIDGE	90% FED 10% STATE BRIDGE
				0004	0014	0014	0014
				NONE	S.N.084-0150	S.N. 084-0151	S.N. 084-0154
* 78004240	PREFORMED PLASTIC PAVEMENT MARKING, TYPE B - INLAID - LINE 8"	FOOT	7792	7792			
* 78004250	PREFORMED PLASTIC PAVEMENT MARKING, TYPE B - INLAID - LINE 12"	FOOT	902	902			
* 78004280	PREFORMED PLASTIC PAVEMENT MARKING, TYPE B - INLAID - LINE 24"	FOOT	166	166			
* 78009005	MODIFIED URETHANE PAVEMENT MARKING - LINE 5"	FOOT	149138	149138			
* 78009006	MODIFIED URETHANE PAVEMENT MARKING - LINE 6"	FOOT	689	689			
* 78100100	RAISED REFLECTIVE PAVEMENT MARKER	EACH	2008	2008			
* 78200300	PRISMATIC CURB REFLECTOR	EACH	68	68			
* 78200410	GUARDRAIL MARKERS, TYPE A	EACH	12	12			
* 78201000	TERMINAL MARKER - DIRECT APPLIED	EACH	6	6			
	78300200	RAISED REFLECTIVE PAVEMENT MARKER REMOVAL	EACH	2008	2008		
	542A0217	PIPE CULVERTS, CLASS A, TYPE 1 12"	FOOT	88	88		
	X0320157	CLEANING UNDERDRAIN OUTLETS	EACH	330	330		
	X2503000	MAINTENANCE MOWING	ACRE	156	156		
	X4403800	MEDIAN SURFACE REMOVAL	SQ FT	16799.8	16799.8		

14 100% STATE

FILE NAME : c:\pwwork\pwwork\sparksgw\d9221183\0672	USER NAME : sparksgw	DESIGNED -	REVISED -	STATE OF ILLINOIS DEPARTMENT OF TRANSPORTATION	SUMMARY OF QUANTITIES COMBINED- PARTS "A" & "B"				F.A.I RTE. 1-72	SECTION *	COUNTY SANGAMON	TOTAL SHEETS 194	SHEET NO. 12
Default	PLOT SCALE : 1/8" = 1'-0"	CHECKED -	REVISED -		SCALE:	SHEET	OF	SHEETS	STA.	TO STA.	CONTRACT NO. 72C90		
	PLOT DATE : Sep-06-2013 10:47:03AM	DATE -	REVISED -		ILLINOIS FED. AID PROJECT								

CODE NO.	ITEM	UNIT	TOTAL QUANTITY	CONSTRUCTION CODE			
				90% FED 10% STATE ROADWAY	90% FED 10% STATE BRIDGE	90% FED 10% STATE BRIDGE	90% FED 10% STATE BRIDGE
				0004	0014	0014	0014
				NONE	S.N.084-0150	S.N. 084-0151	S.N. 084-0154
X6050700	REMOVE INLET BOX	EACH	8	8			
X7010216	TRAFFIC CONTROL AND PROTECTION, (SPECIAL)	L SUM	1	1			
X7830072	GROOVING FOR RECESSED PAVEMENT MARKING 6"	FOOT	139241	139241			
X7830074	GROOVING FOR RECESSED PAVEMENT MARKING 7"	FOOT	354	354			
Z0001900	ASBESTOS BEARING PAD REMOVAL	EACH	54		27		27
Z0001903	STRUCTURAL STEEL REMOVAL	POUND	13,700		6800		6900
Z0003615	REMOVAL OF EXISTING CONCRETE I-BEAM	EACH	14		14		
Z0012754	STRUCTURAL REPAIR OF CONCRETE (DEPTH EQUAL TO OR LESS THAN 5 INCHES)	SQ FT	173		145		28
Z0016001	DECK SLAB REPAIR (FULL DEPTH, TYPE I)	SQ YD	20			20	
Z0016002	DECK SLAB REPAIR (FULL DEPTH, TYPE II)	SQ YD	10			10	
Z0016200	DECK SLAB REPAIR (PARTIAL)	SQ YD	50			50	
Ø Z0076600	TRAINEES	HOUR	2000	2000			
Z0018002	DRAINAGE SCUPPERS, DS-11	EACH	8		4		4
Ø Z0076604	TRAINEES - TRAINING PROGRAM GRADUATE	HOUR	2000	2000			
Z0023600	FILLING EXISTING CULVERTS	EACH	2	2			
Z0032300	JACKING EXISTING SUPERSTRUCTURE	L SUM	1		0.5		0.5
Z0034105	MATERIAL TRANSFER DEVICE	TON	14926	14926			

Ø0042

*SPECIALTY ITEM

15

FILE NAME *	USER NAME * sparksg	DESIGNED -	REVISED -	STATE OF ILLINOIS DEPARTMENT OF TRANSPORTATION	SUMMARY OF QUANTITIES COMBINED- PARTS "A" & "B"				F.A.I RTE.	SECTION	COUNTY	TOTAL SHEETS	SHEET NO.
c:\pwwork\pwwork\sparksg\100221103\0672	C90-ahs-S00.dgn	DRAWN -	REVISED -		SCALE:	SHEET	OF	SHEETS	STA.	TO STA.	SANGAMON	194	13
Default	PLOT SCALE = 100.0000 1/1 in.	CHECKED -	REVISED -		ILLINOIS FED. AID PROJECT				CONTRACT NO. 72C90				
	PLOT DATE = Sep-05-2013 10:47:26AM	DATE -	REVISED -		Rev.								

PART A

STATE OF ILLINOIS
DEPARTMENT OF TRANSPORTATION
DIVISION OF HIGHWAYS

**PROPOSED
HIGHWAY PLANS**

FAI 72 (I-72)
SECTION (84-10-1)RS-3, (84-10-2)RS-4
PROJECT
HMA RESURFACING
SANGAMON COUNTY

F.A.I. RTE.	SECTION	COUNTY	TOTAL SHEETS	SHEET NO.
I-72	*	SANGAMON	194	14
*(84-10-1)RS-3, (84-10-2)RS-4 ILLINOIS			CONTRACT NO. 72C90	

D-96-085-09 PART "A" SHEET 1 OF 45

INDEX OF SHEETS

- 1 COVER SHEET
- 2 GENERAL NOTES AND COMMITMENTS
- 3-4 SUMMARY OF QUANTITIES
- 5-7 TYPICAL SECTIONS
- 8-15 SCHEDULES
- 16-40 PLAN SHEETS
- 41-42 SUPERELEVATION DETAILS
- 43-44 BUTT JOINT AND HMA RAMP DETAILS
- 45 EMERGENCY CROSSOVER DETAILS

HIGHWAY STANDARDS

000001-06	701401-07
001001-02	701406-07
001006	701411-08
442001-04	701421-05
442101-07	701422-05
635001-01	701446-04
642001-02	701456-02
701101-03	701901-02
701106-02	780001-03
701400-06	781001-03

SN 084-0154
STA. 299 + 80.31 TR 420 =
STA. 269 + 23.08 FAI 72

BRIDGE OMISSION:
SN 084-0152 WB STA. 193 + 08.04 TO
STA. 201 + 56.86 FAI 72
SN 084-0153 EB STA. 193 + 22.30 TO
STA. 201 + 41.12 FAI 72
OVER SANGAMON RIVER

SN 084-0151
STA. 200 + 00.00 TR 171 =
STA. 161 + 04.98 FAI 72

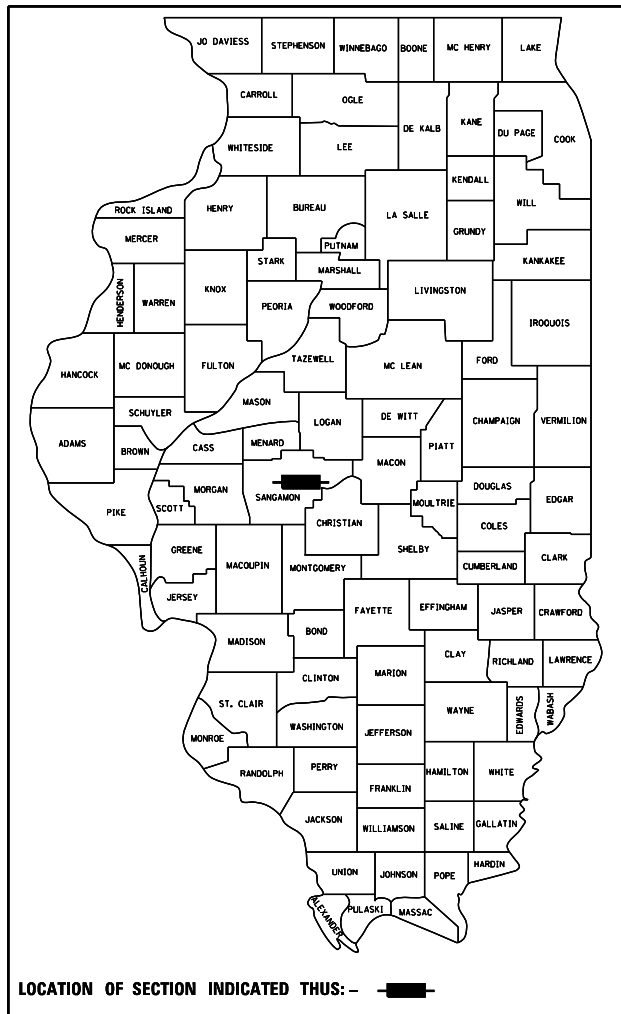
SN 084-2011
EXIST. BOX CULV.
STA. 68 + 55.02

SN 084-0150
STA. 100 + 01.88 MECHANICSBURG RD. =
STA. 48 + 76.46 FAI 72

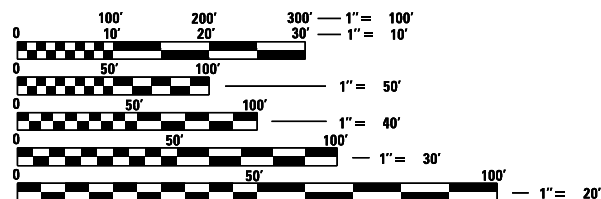
BEGIN IMPROVEMENT
I-72 STA. 13 + 32.00 EB
STA. 15 + 40.00 WB

END IMPROVEMENT I-72
STA. EQ. STA. 295 + 70.43 (BK) =
STA. 0 + 00.00 (AH)

C-96-085-09



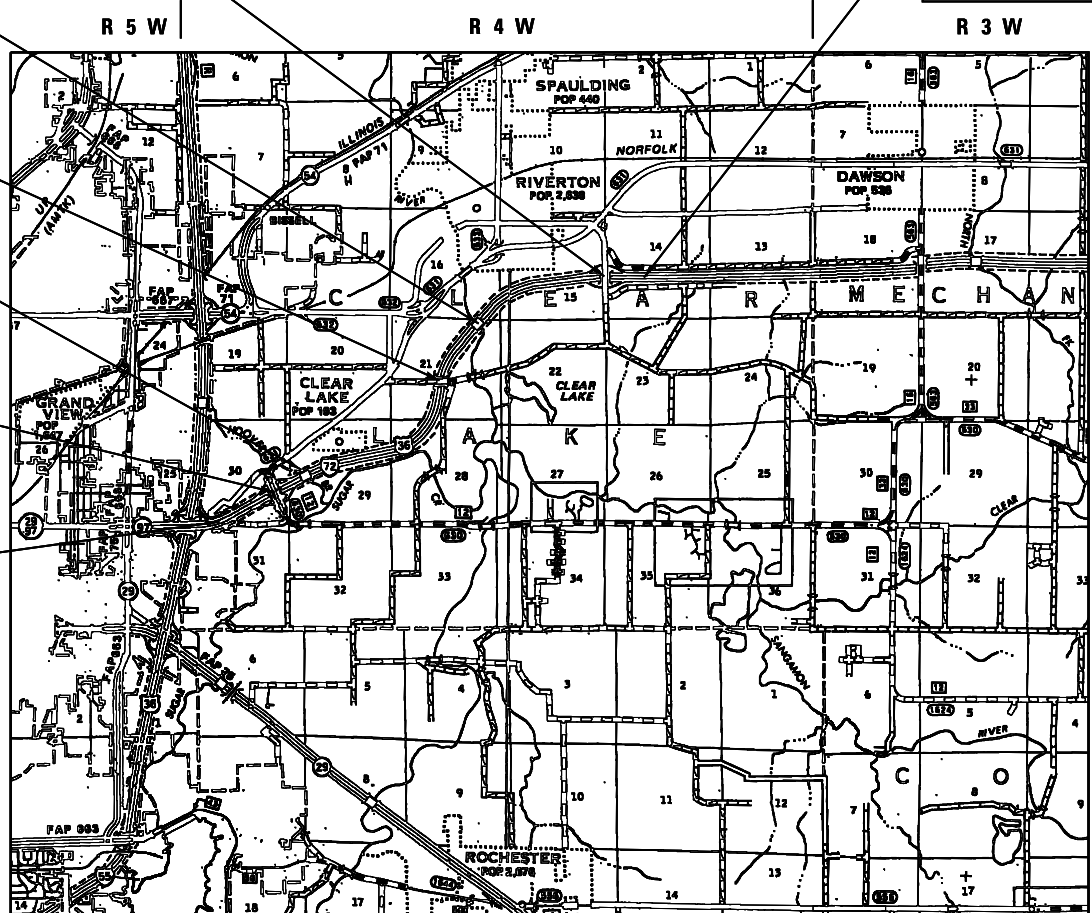
LOCATION OF SECTION INDICATED THUS: - [black box] -



FULL SIZE PLANS HAVE BEEN PREPARED USING STANDARD ENGINEERING SCALES. REDUCED SIZED PLANS WILL NOT CONFORM TO STANDARD SCALES. IN MAKING MEASUREMENTS ON REDUCED PLANS, THE ABOVE SCALES MAY BE USED.

J.U.L.I.E.
JOINT UTILITY LOCATION INFORMATION FOR EXCAVATION
1-800-892-0123
OR 811

PROJECT ENGINEER: **UNRA MAGANAR** (727) 757-9246
PROJECT MANAGER: **WOTOR MADONIA** (217) 757-8904
CONTRACT NO. 72C90



FAI 72
FUNCTION CLASS = INTERSTATE
A.D.T. (2012) 13,500
SU (2012) 610
MU (2012) 1,430
PV (2012) 11,460

NET LENGTH OF FAI 72 = 27,389.61 FT = 5.187 MILES
TOTAL LENGTH OF PROJECT = 27,389.61 FT = 5.187 MILES

STATE OF ILLINOIS
DEPARTMENT OF TRANSPORTATION
DIVISION OF HIGHWAYS

SUBMITTED _____ 20 _____

DEPUTY DIRECTOR OF HIGHWAYS, REGION ENGINEER

_____ 20 _____

ENGINEER OF DESIGN AND ENVIRONMENT

_____ 20 _____

DIRECTOR OF HIGHWAYS, CHIEF ENGINEER

**PRINTED BY THE AUTHORITY
OF THE STATE OF ILLINOIS**

**HOELSCHER
ENGINEERING**

11 Executive Drive Suite 12
Fairview Heights, Illinois 62208
(618) 624-8610
(618) 624-8611 (fax)

2501 Chatham Road, Suite 120
Springfield, Illinois 62704
(217) 698-8610
(217) 698-8608 (fax)

JEFFREY S. ANTONACCI
062-048904
LICENSED
PROFESSIONAL
ENGINEER
OF
ILLINOIS

DATE: _____
LICENSE EXP. 11/30/2013

GENERAL NOTES

1. THE STANDARDS INCLUDED IN THE BACK OF THESE PLANS SHALL APPLY TO THIS PROJECT.
2. THESE PLANS HAVE BEEN PREPARED USING STANDARD SYMBOLS AS INDICATED IN THESE PLANS, AND THEY SHALL TAKE PRECEDENCE OVER THOSE SHOWN ON STARNDARD 000001-06 IF THERE IS A CONFLICT.
3. EXISTING RAISED REFLECTIVE PAVEMENT MARKERS SHALL BE REMOVED PRIOR TO RESURFACING.
4. THE CONTRACTOR SHALL VERIFY ALL DIMENSIONS AND CONDITIONS IN THE FIELD PRIOR TO CONSTRUCTION AND ORDERING OF MATERIALS.
5. THE CONTRACTOR SHALL PROTECT UTILITY PROPERTY FROM CONSTRUCTION OPERATIONS AS OUTLINED IN ARTICLE 107.31 OF THE STANDARD SPECIFICATIONS. AGENCIES KNOWN TO HAVE FACILITIES WITHIN THE PROJECT AREA ARE AS FOLLOWS:

J.U.L.I.E. 1-800-892-0123

ILLINOIS STATE LAW REQUIRES A 48-HOUR NOTICE BE GIVEN TO ALL UTILITIES BEFORE DIGGING. FIELD MARKING OF FACILITIES MAY BE OBTAINED BY CONTACTING J.U.L.I.E. OR FOR NON-MEMBERS, BY CONTACTING THE UTILITY COMPANY DIRECTLY.

IT IS UNDERSTOOD AND AGREED THAT THE CONTRACTOR HAS TAKEN THE FOREGOING INTO CONSIDERATION IN SUBMITTING HIS BID, AND NO ADDITIONAL COMPENSATION WILL BE ALLOWED FOR ANY DELAYS OR INCONVENIENCES CAUSED BY THE SAME.

THE INFORMATION AND DATA SHOWN OR INDICATED ON THESE IMPROVEMENT PLANS WITH RESPECT TO EXISTING UNDERGROUND FACILITIES AND UTILITIES AT OR CONTIGUOUS TO THE SITE IS BASED ON INFORMATION AND DATA FURNISHED BY THE OWNERS OF SUCH UNDERGROUND FACILITIES AND UTILITIES OR BY OTHERS, FIELD MARKINGS OF FACILITIES IN CRITICAL AREAS MAY BE OBTAINED BY PROVIDING A MINIMUM OF 96 HOURS ADVANCE NOTICE TO THE RESIDENT ENGINEER SO THAT UTILITIES CAN BE GIVEN NOTICE. NO GUARANTEE IS IMPLIED AS TO THE ACCURACY OR COMPLETENESS OF ANY SUCH INFORMATION OR DATA; AND CONTRACTOR SHALL HAVE FULL RESPONSIBILITY FOR (i) REVIEWING AND CHECKING ALL SUCH INFORMATION AND DATA, (ii) VERIFYING IF ANY CONFLICTS EXIST WITH THE PROPOSED WORKED AND UNDERGROUND FACILITIES AND UTILITIES SHOWN OR INDICATED ON THE IMPROVEMENT PLANS; (iii) COORDINATION OF THE WORK WITH THE OWNERS OF SUCH UNDERGROUND FACILITIES AND UTILITIES DURING CONSTRUCTION, AND (iv) THE SAFETY AND PROTECTION OF ALL SUCH UNDERGROUND FACILITIES AND UTILITIES AND REPAIR ANY DAMAGE THERETO RESULTING FROM THE WORK AT HIS EXPENSE.

6. FULL DEPTH SAW CUTTING ON ALL EDGES FOR REMOVAL ITEMS SHALL BE INCLUDED IN THE COST OF THE REMOVAL ITEM AS INDICATED AND IN ACCORDANCE WITH SECTION 440 OF THE STANDARD SPECIFICATIONS.
7. FOR STABILIZATION, ALL TYPE III BARRICADES SHALL REQUIRE A MINIMUM OF FOUR SANDBAGS PER BARRICADE.
8. ALL AREAS DISTURBED BEYOND THE CONSTRUCTION LIMITS FOR ANY REASON SHALL BE SEEDED WITH CLASS 2 SEEDING, AS DIRECTED BY THE ENGINEER. NUTRIENTS SHALL CONFORM TO ARTICLE 250.04. FINAL SEEDING SHALL BE PERFORMED AS SOON AS POSSIBLE. THESE AREAS WILL NOT BE MEASURED FOR PAYMENT.
9. THE THICKNESS OF HMA MIXTURES SHOWN ON THE PLANS IS THE NOMINAL THICKNESS. DEVIATIONS FROM THE NOMINAL THICKNESS WILL BE PERMITTED WHEN SUCH DEVIATIONS OCCUR DUE TO IRREGULARITIES IN THE EXISTING SURFACE OF BASE ON WHICH THE HMA MIXTURE IS PLACED.
10. THE ENGINEER WILL BE THE SOLE JUDGE CONCERNING CURING TIME FOR THE VARIOUS HMA LIFTS.

GENERAL NOTES (CONT.)

11. APPLICATION RATES FOR VARIOUS PAVING ITEMS ARE AS FOLLOWS:
 HOT MIX ASPHALT:
 BITUMINOUS MATERIALS (PRIME COAT) 0.00038 TON/SY PAVED SURFACES
 0.0019 TON/SY AGGREGATE SURFACES
 LEVELING BINDER AND HOT-MIX ASPHALT SURFACE COURSE 112 LBS/SY•IN
 AGGREGATES:
 AGGREGATE (SURFACE, BASE, SUBBASE, OR BACKFILL) 2.05 TONS/CY
12. WHERE SECTION OR SUBSECTION MONUMENTS ARE ENCOUNTERED, THE ENGINEER SHALL BE NOTIFIED BEFORE SUCH MONUMENTS ARE REMOVED. THE CONTRACTOR SHALL PROTECT AND CAREFULLY PRESERVE ALL MONUMENTS UNTIL AN AUTHORIZED SURVEYOR OR AGENT HAS WITNESSED OR OTHERWISE REFERENCED THEIR LOCATION. THE CONTRACTOR SHALL BE RESPONSIBLE FOR HAVING AN AUTHORIZED SURVEYOR REESTABLISH ANY SECTION OR SUBSECTIONN MONUMENTS DESTROYED BY HIS/HER OPERATIONS.
13. HOT-MIX ASPHALT RESURFACING OF THE EXISTING PAVEMENT AND SHOULDERS SHALL BE DONE IN A MANNER THAT PROVIDES A MINIMUM VERTICAL CLEARANCE OF 16.0' AT ALL OVERHEAD STRUCTURES. THE MINIMUM VERTICAL CLEARANCE SHALL BE MAINTAINED FROM OUTSIDE TO OUTSIDE OF THE PAVED SHOULDERS.

PRIOR TO RESURFACING ACTIVITIES, THE CONTRACTOR AND THE ENGINEER SHALL VERIFY AND DOCUMENT THE EXISTING MINIMUM VERTICAL CLEARANCE AT ALL OVERHEAD STRUCTURES. IF NECESSARY, THE ENGINEER WILL MAKE ADJUSTMENTS TO THE RESURFACING THICKNESS SHOWN ON THE PLANS. UPON COMPLETION OF THE RESURFACING, THE ENGINEER WILL MEASURE AND DOCUMENT THE MINIMUM VERTICAL CLEARANCE AT ALL OVERHEAD STRUCTURES. IF THE MINIMUM VERTICAL CLEARANCE IS LESS THAN 16'-0'', THE CONTRACTOR SHALL REMOVE AND REPLACE THE BITUMINOUS CONCRETE SURFACE COURSE AS DIRECTED BY THE ENGINEER. THE COST OF THE WORK OR ANY INCONVENIENCE CAUSED BY COMPLYING WITH THIS REQUIREMENT WILL NOT BE PAID FOR SEPARATELY, BUT SHALL BE INCLUDED IN THE COST FOR RESURFACING PAY ITEMS IN THIS CONTRACT.

COMMITMENTS

1. THE RESIDENT ENGINEER SHALL CONTACT STUDIES & PLANS CONCERNING ANY MAJOR PLAN CHANGES.

MIXTURE REQUIREMENTS

LOCATIONS	I-72 & RAMPS	I-72 & RAMPS	INTERSTATE SHOULDERS	INTERSTATE SHOULDERS
MIXTURE USE(S):	HMA SURFACE	HMA BINDER	HMA SHLD (LOWER LIFTS)	HMA SHLD (TOP LIFT)
PG:	SBS PG 76-22	SBS PG 70-22	PG 64-22	PG 64-22
DESIGN AIR VOIDS:	4.0% @ N90	4.0% @ N90	4.0% @ N50	4.0% @ N50
MIXTURE COMPOSITION (GRADATION MIXTURE)	IL 9.5	IL 19.0	IL 19.0	IL 9.0 OR 12.5
FRICTION AGGREGATE:	N/A	N/A	N/A	MIX C

USER NAME = sparksgw	DESIGNED - BTM	REVISED -	STATE OF ILLINOIS DEPARTMENT OF TRANSPORTATION	GENERAL NOTES AND COMMITMENTS			F.A.I. RTE.	SECTION	COUNTY	TOTAL SHEETS	SHEET NO.
PLOT SCALE = 2.0000' / in.	DRAWN - BTM	REVISED -					I-72	*	SANGAMON	194	15
PLOT DATE = Sep-06-2013 07:42:39AM	CHECKED - JSA	REVISED -		SCALE: SHEET NO. OF SHEETS STA. TO STA.			* (84-10-1)RS-3, (84-10-2)RS-4		CONTRACT NO. 72C90		
	DATE - 12/19/12	REVISED -				ILLINOIS FED. AID PROJECT					

CODE NO.	ITEM	UNIT	TOTAL QUANTITY	CONSTR. CODE
				90% FED 10% STATE ROADWAY 0005 NONE
35501324	HOT-MIX ASPHALT BASE COURSE, 10"	SQ YD	652	652
X4000115	POLYMERIZED BITUMINOUS MATERIALS (PRIME COAT)	POUNDS	125,172	125,172
40600895	CONSTRUCTING TEST STRIP	EACH	2	2
40600982	HOT-MIX ASPHALT SURFACE REMOVAL - BUTT JOINT	SQ YD	2813	2813
40600990	TEMPORARY RAMP	SQ YD	1529	1529
40603240	POLYMERIZED HOT-MIX ASPHALT BINDER COURSE, IL-19.0, N90	TON	39723	39723
40603345	HOT-MIX ASPHALT SURFACE COURSE, MIX "D", N90	TON	14926	14926
44000151	HOT-MIX ASPHALT SURFACE REMOVAL, 1/2"	SQ YD	77678	77678
44000155	HOT-MIX ASPHALT SURFACE REMOVAL, 1 1/2"	SQ YD	22415	22415
44000161	HOT-MIX ASPHALT SURFACE REMOVAL, 3"	SQ YD	2293	2293
44000162	HOT-MIX ASPHALT SURFACE REMOVAL, 3 1/4"	SQ YD	96970	96970
44000167	HOT-MIX ASPHALT SURFACE REMOVAL, 4 1/2"	SQ YD	80387	80387
44004250	PAVED SHOULDER REMOVAL	SQ YD	100	100
44200525	CLASS A PATCHES, TYPE I, 8 INCH	SQ YD	30	30

CODE NO.	ITEM	UNIT	TOTAL QUANTITY	CONSTR. CODE
				90% FED 10% STATE ROADWAY 0005 NONE
44200529	CLASS A PATCHES, TYPE II, 8 INCH	SQ YD	60	60
44200929	CLASS B PATCHES, TYPE I, 8 INCH	SQ YD	20	20
44200934	CLASS B PATCHES, TYPE II, 8 INCH	SQ YD	40	40
44201299	DOWEL BARS 1 1/2"	EACH	170	170
44213100	PAVEMENT FABRIC	SQ YD	150	150
44213200	SAW CUTS	FOOT	1400	1400
44213204	TIE BARS 3/4"	EACH	6	6
48102100	AGGREGATE WEDGE SHOULDER, TYPE B	TON	11288	11288
48203042	HOT-MIX ASPHALT SHOULDERS, 11 1/4"	SQ YD	60	60
48203047	HOT-MIX ASPHALT SHOULDERS, 12 1/2"	SQ YD	40	40
48203100	HOT-MIX ASPHALT SHOULDERS	TON	15073	15073
63500105	DELINEATORS	EACH	226	226
64200116	SHOULDER RUMBLE STRIPS, 16 INCH	FOOT	110303	110303
67000400	ENGINEER'S FIELD OFFICE, TYPE A	CAL MO	8	8

Rev.

* ITEM REQUIRES SPECIAL PROVISION

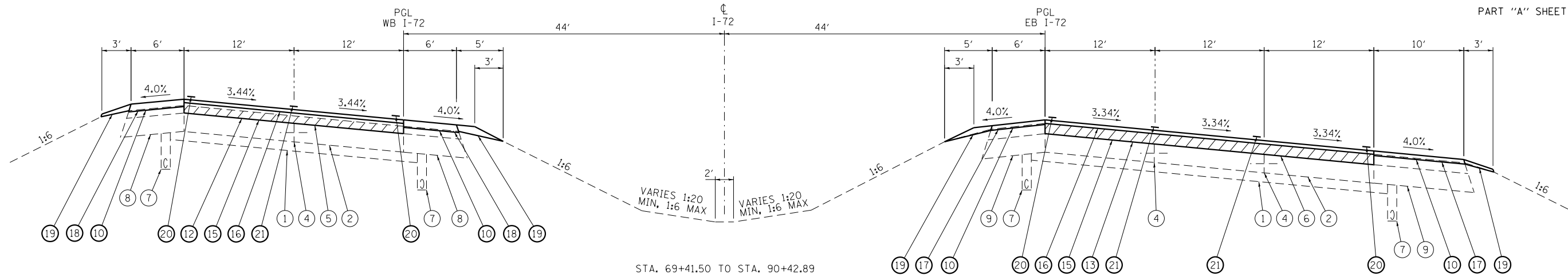
USER NAME : sparkgw	DESIGNED - BTM	REVISED -	STATE OF ILLINOIS DEPARTMENT OF TRANSPORTATION	SUMMARY OF QUANTITIES			P.A.I. RTE.	SECTION	COUNTY	TOTAL SHEETS	SHEET NO.
PLLOT SCALE : 2.0000' / in.	DRAWN - BTM	REVISED -					1-72	*	SANGAMON	194	16
PLLOT DATE : Sep-06-2013 07:43:11AM	CHECKED - JSA	REVISED -		SCALE: SHEET NO. OF SHEETS STA. TO STA.			* (84-10-1)RS-3, (84-10-2)RS-4 CONTRACT NO. 72C90				
	DATE - 12/19/12	REVISED -					[ILLINOIS] FED. AID PROJECT				

CODE NO.	ITEM	UNIT	TOTAL QUANTITY	CONSTR. CODE
				90% FED 10% STATE ROADWAY 0005 NONE
67100100	MOBILIZATION	L SUM	1	1
70100310	TRAFFIC CONTROL AND PROTECTION, STANDARD 701421	L SUM	1	1
70100315	TRAFFIC CONTROL AND PROTECTION, STANDARD 701422	EACH	1	1
70100420	TRAFFIC CONTROL AND PROTECTION, STANDARD 701411	EACH	8	8
70100700	TRAFFIC CONTROL AND PROTECTION, STANDARD 701406	L SUM	1	1
70100800	TRAFFIC CONTROL AND PROTECTION, STANDARD 701401	L SUM	1	1
70100815	TRAFFIC CONTROL AND PROTECTION, STANDARD 701446	L SUM	1	1
70100820	TRAFFIC CONTROL AND PROTECTION, STANDARD 701451	L SUM	1	1
70100825	TRAFFIC CONTROL AND PROTECTION, STANDARD 701456	L SUM	1	1
70103815	TRAFFIC CONTROL SURVEILLANCE	CAL DA	30	30
70106800	CHANGEABLE MESSAGE SIGN	CAL MO	16	16
70200100	NIGHTTIME WORK ZONE LIGHTING	L SUM	1	1
70300100	SHORT TERM PAVEMENT MARKING	FOOT	13647	13647
70300210	TEMPORARY PAVEMENT MARKING LETTERS AND SYMBOLS	SQ FT	130	130

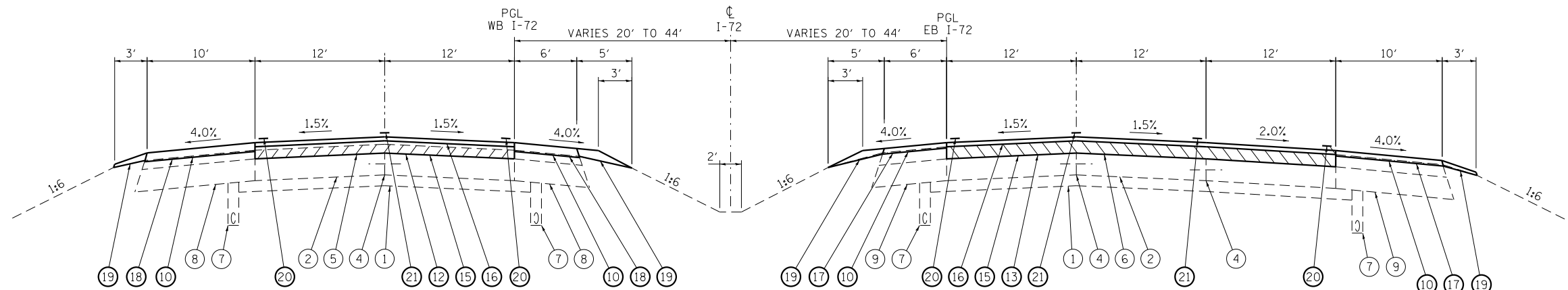
CODE NO.	ITEM	UNIT	TOTAL QUANTITY	CONSTR. CODE
				90% FED 10% STATE ROADWAY 0005 NONE
70300230	TEMPORARY PAVEMENT MARKING - LINE 5"	FOOT	144030	144030
70300240	TEMPORARY PAVEMENT MARKING - LINE 6"	FOOT	933	933
70300250	TEMPORARY PAVEMENT MARKING - LINE 8"	FOOT	7100	7100
70300260	TEMPORARY PAVEMENT MARKING - LINE 12"	FOOT	748	748
70301000	WORK ZONE PAVEMENT MARKING REMOVAL	SQ FT	4504	4504
78004200	PREFORMED PLASTIC PAVEMENT MARKING, TYPE B - INLAID - LETTERS AN	SQ FT	130	130
78004220	PREFORMED PLASTIC PAVEMENT MARKING, TYPE B - INLAID - LINE 5"	FOOT	15509	15509
78004230	PREFORMED PLASTIC PAVEMENT MARKING, TYPE B - INLAID - LINE 6"	FOOT	933	933
78004240	PREFORMED PLASTIC PAVEMENT MARKING, TYPE B - INLAID - LINE 8"	FOOT	7100	7100
78004250	PREFORMED PLASTIC PAVEMENT MARKING, TYPE B - INLAID - LINE 12"	FOOT	748	748
78009005	MODIFIED URETHANE PAVEMENT MARKING - LINE 5"	FOOT	128524	128524
78100100	RAISED REFLECTIVE PAVEMENT MARKER	EACH	1763	1763
78300200	RAISED REFLECTIVE PAVEMENT MARKER REMOVAL	EACH	1763	1763
X0320157	CLEANING UNDERDRAIN OUTLETS	EACH	330	330
X2503000	MAINTENANCE MOWING	ACRE	156	156
X7830072	GROOVING FOR RECESSED PAVEMENT MARKING 6"	FOOT	128524	128524

* ITEM REQUIRES SPECIAL PROVISION

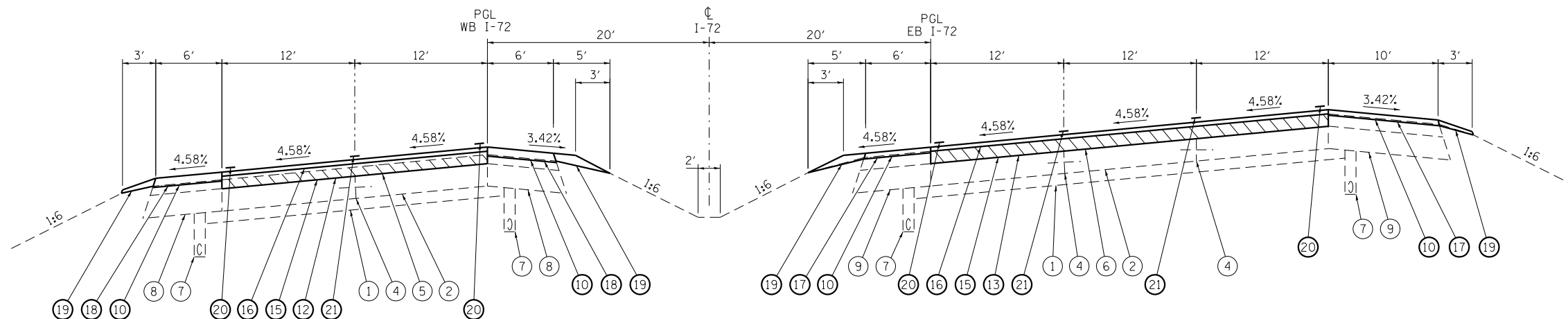
USER NAME = sparksgw	DESIGNED - BTM	REVISED -	STATE OF ILLINOIS DEPARTMENT OF TRANSPORTATION	SUMMARY OF QUANTITIES			F.A.I. RTE.	SECTION	COUNTY	TOTAL SHEETS	SHEET NO.
PLOT SCALE = 2.0000' / in.	DRAWN - BTM	REVISED -					I-72	*	SANGAMON	194	17
PLOT DATE = Sep-06-2013 07:43:37AM	CHECKED - JSA	REVISED -		SCALE: SHEET NO. OF SHEETS STA. TO STA.			* (84-10-1)RS-3, (84-10-2)RS-4		CONTRACT NO. 72C90		
PLOT DATE = Sep-06-2013 07:43:37AM	DATE - 12/19/12	REVISED -					ILLINOIS FED. AID PROJECT				



STA. 69+41.50 TO STA. 90+42.89



STA. 22+30.47 TO STA. 69+41.50



STA. 20+48.80 TO STA. 22+30.47 EB
STA. 20+48.80 TO STA. 22+30.47 WB

LEGEND

- | | |
|--|--|
| ① EXISTING STABILIZED SUBBASE 4" | ⑫ PROPOSED HOT-MIX ASPHALT SURFACE REMOVAL, 3/4" |
| ② EXISTING CRCP PAVEMENT, 8" | ⑬ PROPOSED HOT-MIX ASPHALT SURFACE REMOVAL, 4 1/2" |
| ③ EXISTING PCC PAVEMENT, 8" | ⑭ PROPOSED POLYMERIZED HOT-MIX ASPHALT BINDER COURSE, IL-19.0, N90, 2 1/4" |
| ④ EXISTING LONGITUDINAL JOINT | ⑮ PROPOSED POLYMERIZED HOT-MIX ASPHALT BINDER COURSE, IL-19.0, N90, 4 1/2" (2 LIFTS) |
| ⑤ EXISTING HMA CONCRETE, 3/4" | ⑯ PROPOSED POLYMERIZED HOT-MIX ASPHALT SURFACE COURSE, MIX "D", N90, 1 1/2" |
| ⑥ EXISTING HMA CONCRETE, 4 1/2" | ⑰ PROPOSED HOT-MIX ASPHALT SHOULDERS, 2" (W/RUMBLE STRIPS STD. 642001) |
| ⑦ EXISTING UNDERDRAIN | ⑱ PROPOSED HOT-MIX ASPHALT SHOULDERS, 3/4" (W/RUMBLE STRIPS STD. 642001) |
| ⑧ EXISTING BITUMINOUS SHOULDER, 11 1/4" | ⑲ PROPOSED AGGREGATE WEDGE SHOULDER, TYPE B |
| ⑨ EXISTING BITUMINOUS SHOULDER, 12 1/2" | ⑳ PROPOSED MODIFIED URETHANE PAVEMENT MARKING, LINE 5" |
| ⑩ PROPOSED HOT-MIX ASPHALT SURFACE REMOVAL, 1/2" | ㉑ PROPOSED PREFORMED PLASTIC PAVEMENT MARKING, TYPE B (INLAID), LINE 5" |
| ⑪ PROPOSED HOT-MIX ASPHALT SURFACE REMOVAL, 1 1/2" | |

NOTES

- MILL TO BARE CONCRETE ALONG MAINLINE I-72 PAVEMENT.
- NO PROPOSED RUMBLE STRIPS WILL BE PLACED ON INTERCHANGE RAMP SHOULDERS.

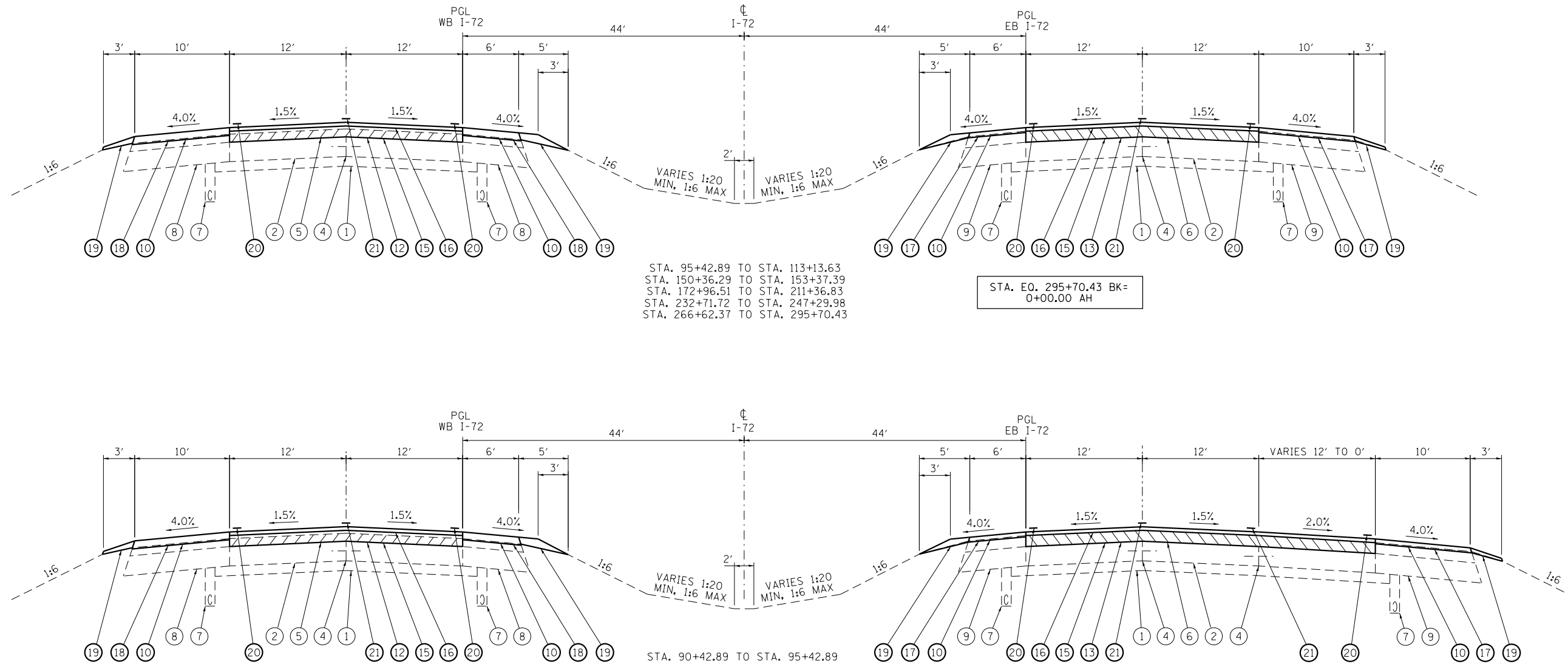
USER NAME = sparksgw	DESIGNED - BTM	REVISED -
	DRAWN - BTM	REVISED -
PLOT SCALE = 12.0000' / in.	CHECKED - JSA	REVISED -
PLOT DATE = Sep-06-2013 07:44:18AM	DATE - 12/19/12	REVISED -

**STATE OF ILLINOIS
DEPARTMENT OF TRANSPORTATION**

TYPICAL SECTIONS

SCALE: SHEET NO. OF SHEETS STA. TO STA.

F.A.I. RTE.	SECTION	COUNTY	TOTAL SHEETS	SHEET NO.
I-72	*	SANGAMON	194	18
* (84-10-1)RS-3, (84-10-2)RS-4		CONTRACT NO. 72C90		
ILLINOIS FED. AID PROJECT				



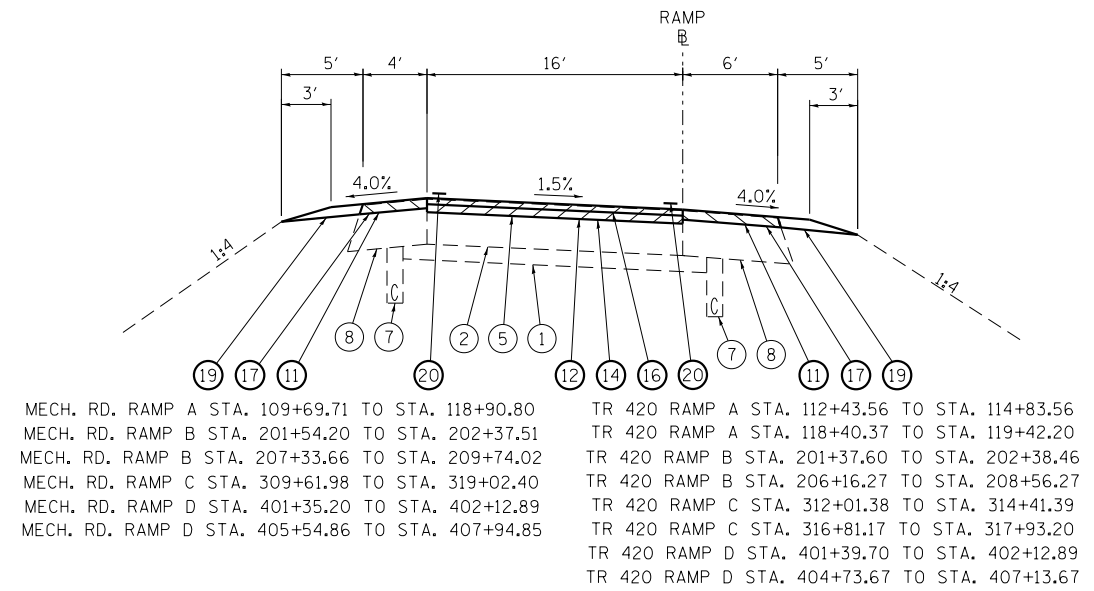
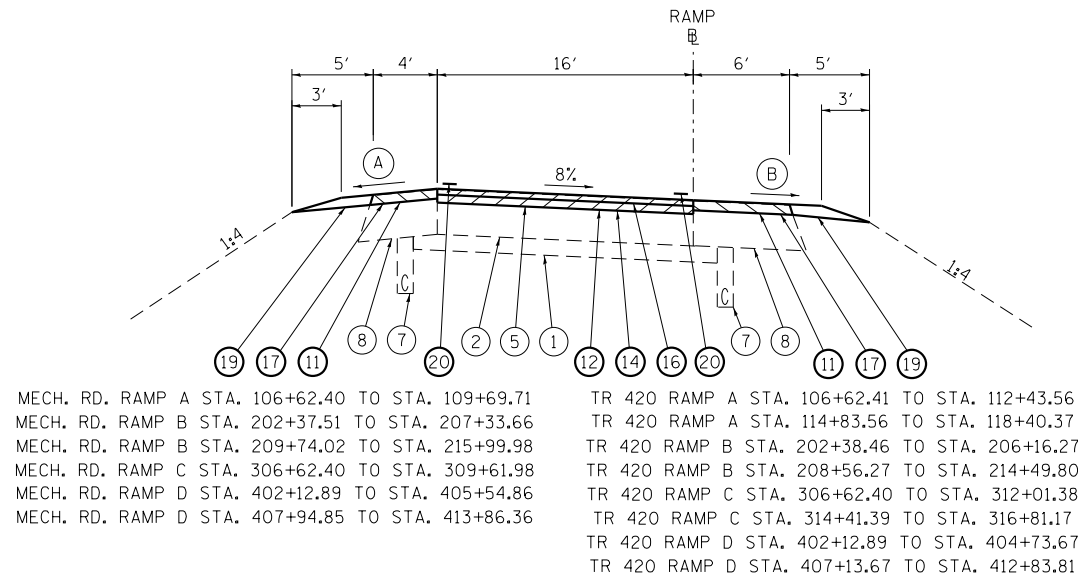
LEGEND

- | | |
|--|--|
| ① EXISTING STABILIZED SUBBASE 4" | ⑫ PROPOSED HOT-MIX ASPHALT SURFACE REMOVAL, 3/4" |
| ② EXISTING CRCP PAVEMENT, 8" | ⑬ PROPOSED HOT-MIX ASPHALT SURFACE REMOVAL, 4 1/2" |
| ③ EXISTING PCC PAVEMENT, 8" | ⑭ PROPOSED POLYMERIZED HOT-MIX ASPHALT BINDER COURSE, IL-19.0, N90, 2 1/4" |
| ④ EXISTING LONGITUDINAL JOINT | ⑮ PROPOSED POLYMERIZED HOT-MIX ASPHALT BINDER COURSE, IL-19.0, N90, 4 1/2" (2 LIFTS) |
| ⑤ EXISTING HMA CONCRETE, 3/4" | ⑯ PROPOSED POLYMERIZED HOT-MIX ASPHALT SURFACE COURSE, MIX "D", N90, 1 1/2" |
| ⑥ EXISTING HMA CONCRETE, 4 1/2" | ⑰ PROPOSED HOT-MIX ASPHALT SHOULDERS, 2" (W/RUMBLE STRIPS STD. 642001) |
| ⑦ EXISTING UNDERDRAIN | ⑱ PROPOSED HOT-MIX ASPHALT SHOULDERS, 3/4" (W/RUMBLE STRIPS STD. 642001) |
| ⑧ EXISTING BITUMINOUS SHOULDER, 11 1/4" | ⑲ PROPOSED AGGREGATE WEDGE SHOULDER, TYPE B |
| ⑨ EXISTING BITUMINOUS SHOULDER, 12 1/2" | ⑳ PROPOSED MODIFIED URETHANE PAVEMENT MARKING, LINE 5" |
| ⑩ PROPOSED HOT-MIX ASPHALT SURFACE REMOVAL, 1/2" | ㉑ PROPOSED PREFORMED PLASTIC PAVEMENT MARKING, TYPE B (INLAID), LINE 5" |
| ⑪ PROPOSED HOT-MIX ASPHALT SURFACE REMOVAL, 1 1/2" | |

NOTES

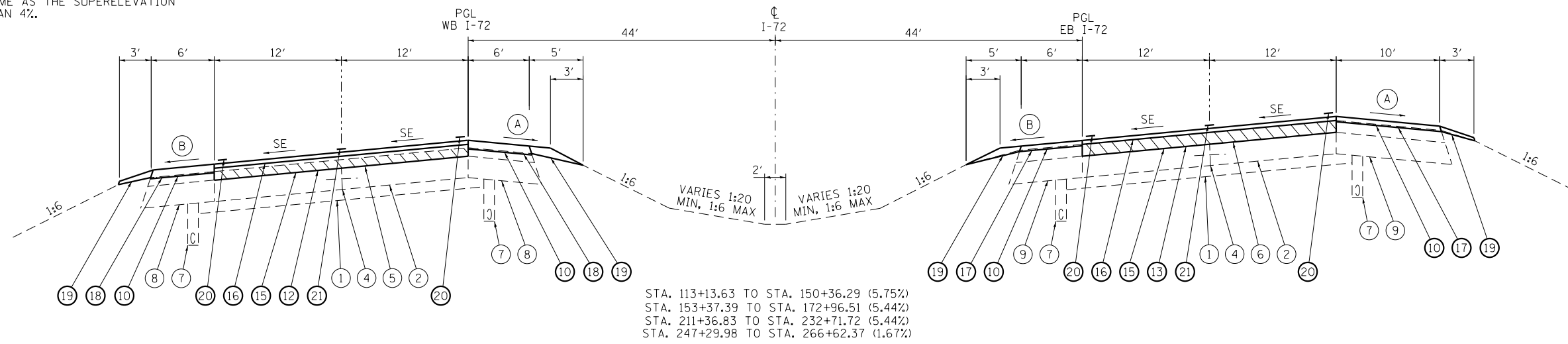
- MILL TO BARE CONCRETE ALONG MAINLINE I-72 PAVEMENT.
- NO PROPOSED RUMBLE STRIPS WILL BE PLACED ON INTERCHANGE RAMP SHOULDERS.

USER NAME = sparksgw		DESIGNED - BTM	REVISED -	STATE OF ILLINOIS DEPARTMENT OF TRANSPORTATION	TYPICAL SECTIONS				F.A.I. RTE. I-72	SECTION *	COUNTY SANGAMON	TOTAL SHEETS 194	SHEET NO. 19
DRAWN - BTM		CHECKED - JSA	REVISED -		SCALE:	SHEET NO.	OF SHEETS	STA.	TO STA.	* (84-10-1)RS-3, (84-10-2)RS-4	CONTRACT NO. 72C90	ILLINOIS FED. AID PROJECT	
PLOT SCALE = 12.0000' / in.		DATE - 12/19/12	REVISED -										
PLOT DATE = Sep-06-2013 07:44:40AM													



(A) WHEN THE SUPERELEVATION RATE OF THE PAVEMENT IS BETWEEN 0% AND 4%, THE SHOULDER SHALL BE SLOPED AT 4%. WHEN THE SUPERELEVATION RATE OF THE PAVEMENT EXCEEDS 4%, THE SHOULDER SHALL BE SLOPED SO THAT THE ALGEBRAIC DIFFERENCE BETWEEN PAVEMENT AND SHOULDER WILL NOT BE GREATER THAN 8%.

(B) SLOPE SHALL BE THE SAME AS THE SUPERELEVATION RATE, BUT NOT LESS THAN 4%.



LEGEND

- ① EXISTING STABILIZED SUBBASE 4"
- ② EXISTING CRCP PAVEMENT, 8"
- ③ EXISTING PCC PAVEMENT, 8"
- ④ EXISTING LONGITUDINAL JOINT
- ⑤ EXISTING HMA CONCRETE, 3/4"
- ⑥ EXISTING HMA CONCRETE, 4/2"
- ⑦ EXISTING UNDERDRAIN
- ⑧ EXISTING BITUMINOUS SHOULDER, 11/4"
- ⑨ EXISTING BITUMINOUS SHOULDER, 12/2"
- ⑩ PROPOSED HOT-MIX ASPHALT SURFACE REMOVAL, 1/2"
- ⑪ PROPOSED HOT-MIX ASPHALT SURFACE REMOVAL, 1/2"
- ⑫ PROPOSED HOT-MIX ASPHALT SURFACE REMOVAL, 3/4"
- ⑬ PROPOSED HOT-MIX ASPHALT SURFACE REMOVAL, 4/2"
- ⑭ PROPOSED POLYMERIZED HOT-MIX ASPHALT BINDER COURSE, IL-19.0, N90, 2/4"
- ⑮ PROPOSED POLYMERIZED HOT-MIX ASPHALT BINDER COURSE, IL-19.0, N90, 4/2" (2 LIFTS)
- ⑯ PROPOSED POLYMERIZED HOT-MIX ASPHALT SURFACE COURSE, MIX "D", N90, 1/2"
- ⑰ PROPOSED HOT-MIX ASPHALT SHOULDERS, 2" (W/RUMBLE STRIPS STD. 642001)
- ⑱ PROPOSED HOT-MIX ASPHALT SHOULDERS, 3/4" (W/RUMBLE STRIPS STD. 642001)
- ⑲ PROPOSED AGGREGATE WEDGE SHOULDER, TYPE B
- ⑳ PROPOSED MODIFIED URETHANE PAVEMENT MARKING, LINE 5"
- ㉑ PROPOSED PREFORMED PLASTIC PAVEMENT MARKING, TYPE B (INLAID), LINE 5"

NOTES

1. MILL TO BARE CONCRETE ALONG RAMP AND MAINLINE I-72 PAVEMENT.
2. NO PROPOSED RUMBLE STRIPS WILL BE PLACED ON INTERCHANGE RAMP SHOULDERS.

USER NAME = sparksgw DESIGNED - BTM DRAWN - BTM PLOT SCALE = 12.0000' / in. PLOT DATE = Sep-06-2013 07:45:00AM				REVISIONS REVISIONS REVISIONS REVISIONS REVISIONS				STATE OF ILLINOIS DEPARTMENT OF TRANSPORTATION				TYPICAL SECTIONS				F.A.I. RTE. SECTION COUNTY TOTAL SHEETS SHEET NO. I-72 * SANGAMON 194 20	
CHECKED - JSA DATE - 12/19/12								SCALE: SHEET NO. OF SHEETS STA. TO STA.				* (84-10-1)RS-3, (84-10-2)RS-4 ILLINOIS FED. AID PROJECT CONTRACT NO. 72C90					

PAVING SCHEDULE

LOCATION	STATION	TO	STATION	LENGTH (FT)	POLYMERIZED BITUMINOUS MATERIALS (PRIME COAT) (TON)	POLYMERIZED HOT-MIX ASPHALT BINDER COURSE, IL-19.0, N90 (TON)	POLYMERIZED HOT-MIX ASPHALT SURFACE COURSE, MIX "D", N90 (TON)	HMA BASE COURSE, 10" (SQ YD)	HMA SHOULDERS (TON)	SHOULDER RUMBLE STRIP (FT)	AGGREGATE WEDGE SHOULDER, TYPE B (TON)	HMA SURFACE REMOVAL - BUTT JOINT (SY)	TEMPORARY RAMP (SY)
I-72 EB MAINLINE													
	20+48.80	TO	46+52.00	2,603	3.96	2,624	875					173	87
	46+52.00	TO	47+42.00	90	0.14	68	30						
	47+42.00	TO	49+92.00	250	0.38	126	84						
	49+92.00	TO	50+82.00	90	0.14	68	30						
	50+82.00	TO	95+93.00	4,511	5.71	3,789	1,263						
	95+93.00	TO	159+03.00	6,310	6.39	4,240	1,413						
	159+03.00	TO	159+93.00	90	0.09	45	20						
	159+93.00	TO	162+43.00	250	0.25	84	56						
	162+43.00	TO	163+33.00	90	0.09	45	20						
	163+33.00	TO	190+79.48	2,746	2.78	1,846	615						
	190+79.48	TO	193+22.30	243	0.25	54	54					489	245
	190+79.48	TO	192+62.30	183		61	41						
	202+01.12	TO	203+84.00	183		61	41						
	201+41.12	TO	203+84.00	243	0.25	54	54					422	211
	203+84.00	TO	267+08.00	6,324	6.41	4,250	1,417						
	267+08.00	TO	267+98.00	90	0.09	45	20						
	267+98.00	TO	270+48.00	250	0.25	84	56						
	270+48.00	TO	271+38.00	90	0.09	45	20						
	271+38.00	TO	295+70.43	2,432	2.46	1,635	545					489	245
I-72 EB (OUTSIDE SHLD)													
	20+48.80	RT	TO	28+28.00	RT	779	0.33		97	779	31		
	34+91.00	RT	TO	46+52.00	RT	1,161	0.49		144	1,161	47		
	46+52.00	RT	TO	47+42.00	RT	90	0.04		11	90	4		
	47+42.00	RT	TO	49+92.00	RT	250	0.11		31	250	10		
	49+92.00	RT	TO	50+82.00	RT	90	0.04		11	90	4		
	50+82.00	RT	TO	58+58.00	RT	776	0.33		97	776	31		
	70+20.00	RT	TO	159+03.00	RT	8,883	3.75		1,105	8,883	358		
	159+03.00	RT	TO	159+93.00	RT	90	0.04		11	90	4		
	159+93.00	RT	TO	162+43.00	RT	250	0.11		31	250	10		
	162+43.00	RT	TO	163+33.00	RT	90	0.04		11	90	4		
	163+33.00	RT	TO	190+79.48	RT	2,746	1.16		342	2,746	111		
	190+79.48	RT	TO	193+22.30	RT	243	0.10		30	243	10		
	201+41.12	RT	TO	203+84.00	RT	243	0.10		30	243	10		
	203+84.00	RT	TO	249+63.00	RT	4,579	1.93		570	4,579	185		
	256+31.00	RT	TO	267+08.00	RT	1,077	0.45		134	1,077	43		
	267+08.00	RT	TO	267+98.00	RT	90	0.04		11	90	4		
	267+98.00	RT	TO	270+48.00	RT	250	0.11		31	250	10		
	270+48.00	RT	TO	271+38.00	RT	90	0.04		11	90	4		
	271+38.00	RT	TO	280+92.00	RT	954	0.40		119	954	38		
	292+53.00	RT	TO	295+70.43	RT	317	0.13		40	317	13		
I-72 EB (INSIDE SHLD)													
	20+48.80	LT	TO	75+45.00	LT	5,496	1.39		410	5,496	660		
	75+45.00	LT	TO	76+69.00	LT	124	0.04	28	9	124	4		
	76+69.00	LT	TO	79+74.00	LT	305	0.13	136	23	305			
	79+74.00	LT	TO	159+03.00	LT	7,929	2.01		592	7,929	951		
	159+03.00	LT	TO	159+93.00	LT	90	0.02		7	90	11		
	159+93.00	LT	TO	162+43.00	LT	250	0.06		19	250	30		
	162+43.00	LT	TO	163+33.00	LT	90	0.02		7	90	11		
	163+33.00	LT	TO	190+79.48	LT	2,746	0.70		205	2,746	330		
	190+79.48	LT	TO	193+22.30	LT	243	0.06		18	243	29		
	201+41.12	LT	TO	203+84.00	LT	243	0.06		18	243	29		
	203+84.00	LT	TO	236+87.00	LT	3,303	0.84		247	3,303	396		
	236+87.00	LT	TO	238+11.00	LT	124	0.04	28	9	124	15		
	238+11.00	LT	TO	241+16.00	LT	305	0.13	136	23	305			
	241+16.00	LT	TO	293+36.00	LT	5,220	1.32		390	5,220	626		
	293+36.00	LT	TO	294+60.00	LT	124	0.04		9	124	15		
	294+60.00	LT	TO	295+70.43	LT	110	0.05		8	110	13		

SHOULDER RUMBLE STRIP (I 72/ CLEAR LAKE)	
LOCATION	FOOT
WEST BOUND	
RT. STA. 35+00 TO STA. 39+00	400
RT. STA. 41+50 TO STA. 46+30	480
RT. STA. 53+65 TO STA. 61+88	823
RT. STA. 65+20 TO STA. 70+80.70	560.7
LT. STA. 37+00 TO STA. 48+20	1120
LT. STA. 51+73 TO STA. 70+80.70	1907.7
EAST BOUND	
RT. STA. 38+20 TO STA. 46+20	800
RT. STA. 53+40 TO STA. 58+45	505
RT. STA. 60+00 TO STA. 70+80.70	1080.7
LT. STA. 36+00 TO STA. 48+07	1207
LT. STA. 51+60 TO STA. 70+80.70	1920.7
TOTAL	10804.8

USER NAME = sparksgw	DESIGNED - BTM	REVISED -	STATE OF ILLINOIS DEPARTMENT OF TRANSPORTATION	SCHEDULE OF QUANTITIES				F.A.I. RTE.	SECTION	COUNTY	TOTAL SHEETS	SHEET NO.
PLOT SCALE = 2.0000' / in.	DRAWN - BTM	REVISED -						I-72	*	SANGAMON	194	21
PLOT DATE = Sep-06-2013 07:45:28AM	CHECKED - JSA	REVISED -		SCALE: SHEET NO. OF SHEETS STA. TO STA.				* (84-10-1)RS-3, (84-10-2)RS-4		CONTRACT NO. 72C90		
	DATE - 12/19/12	REVISED -						ILLINOIS FED. AID PROJECT				

PAVING SCHEDULE

LOCATION	STATION	TO	STATION	LENGTH (FT)	POLYMERIZED BITUMINOUS MATERIALS (PRIME COAT) (TON)	POLYMERIZED HOT-MIX ASPHALT BINDER COURSE, IL-19.0, N90 (TON)	POLYMERIZED HOT-MIX ASPHALT SURFACE COURSE, MIX "D", N90 (TON)	HMA BASE COURSE, 10" (SQ YD)	HMA SHOULDERS (TON)	SHOULDER RUMBLE STRIP (FT)	AGGREGATE WEDGE SHOULDER, TYPE B (TON)	HMA SURFACE REMOVAL - BUTT JOINT (SY)	TEMPORARY RAMP (SY)
I-72 WB MAINLINE													
	20+48.80	TO	46+70.00	2,621	2.66	1,761	587					133	67
	46+70.00	TO	47+60.00	90	0.09	45	20						
	47+60.00	TO	50+10.00	250	0.25	84	56						
	50+10.00	TO	51+00.00	90	0.09	45	20						
	51+00.00	TO	158+80.00	10,780	10.92	7,244	2,415						
	158+80.00	TO	159+70.00	90	0.09	45	20						
	159+70.00	TO	162+10.00	240	0.24	81	54						
	162+10.00	TO	163+00.00	90	0.09	45	20						
	163+00.00	TO	190+95.22	2,795	2.83	1,878	626						
	190+95.22	TO	193+38.04	243	0.25		54					156	78
	190+95.22	TO	192+78.04	183		89	41						
	201+56.86	TO	203+39.68	183		89	41						
	201+56.86	TO	203+99.68	243	0.25		54					222	111
	203+99.68	TO	267+08.00	6,308	6.39	4,239	1,413						
	267+08.00	TO	267+98.00	90	0.09	45	20						
	267+98.00	TO	270+48.00	250	0.25	84	56						
	270+48.00	TO	271+38.00	90	0.09	45	20						
	271+38.00	TO	295+70.43	2,432	2.46	1,635	545					489	245
I-72 WB (OUTSIDE SHLD)													
	20+48.80	LT	TO	25+52.00	LT	503	0.21		92	503	20		
	37+15.00	LT	TO	46+70.00	LT	955	0.40		193	955	38		
	46+70.00	LT	TO	47+60.00	LT	90	0.04		16	90	4		
	47+60.00	LT	TO	50+10.00	LT	250	0.11		39	250	10		
	50+10.00	LT	TO	51+00.00	LT	90	0.04		16	90	4		
	51+00.00	LT	TO	62+46.00	LT	1,146	0.48		232	1,146	46		
	69+09.00	LT	TO	158+80.00	LT	8,971	3.79		1,814	8,971	362		
	158+80.00	LT	TO	159+70.00	LT	90	0.04		16	90	4		
	159+70.00	LT	TO	162+10.00	LT	240	0.10		37	240	10		
	162+10.00	LT	TO	163+00.00	LT	90	0.04		16	90	4		
	163+00.00	LT	TO	190+95.22	LT	2,795	1.18		565	2,795	113		
	190+95.22	LT	TO	193+38.04	LT	243	0.10		49	243	10		
	201+56.86	LT	TO	203+99.68	LT	243	0.10		49	243	10		
	203+99.68	LT	TO	247+81.00	LT	4,381	1.85		886	4,381	177		
	259+51.00	LT	TO	267+08.00	LT	757	0.32		153	757	31		
	267+08.00	LT	TO	267+98.00	LT	90	0.04		16	90	4		
	267+98.00	LT	TO	270+48.00	LT	250	0.11		39	250	10		
	270+48.00	LT	TO	271+38.00	LT	90	0.04		16	90	4		
	271+38.00	LT	TO	280+33.00	LT	895	0.38		181	895	36		
	286+96.00	LT	TO	295+70.43	LT	874	0.37		177	874	35		

USER NAME = sparksgw	DESIGNED - BTM	REVISED -	STATE OF ILLINOIS DEPARTMENT OF TRANSPORTATION	SCHEDULE OF QUANTITIES				F.A.I. RTE.	SECTION	COUNTY	TOTAL SHEETS	SHEET NO.
PLOT SCALE = 2.0000' / in.	DRAWN - BTM	REVISED -		SCALE:	SHEET NO.	OF	SHEETS	STA.	TO	STA.	I-72	22
PLOT DATE = Sep-06-2013 07:46:10AM	CHECKED - JSA	REVISED -									*	
	DATE - 12/19/12	REVISED -									* (84-10-1)RS-3, (84-10-2)RS-4	CONTRACT NO. 72C90
											ILLINOIS FED. AID PROJECT	

PAVING SCHEDULE

LOCATION	STATION	TO	STATION	LENGTH (FT)	POLYMERIZED BITUMINOUS MATERIALS (PRIME COAT) (TON)	POLYMERIZED HOT-MIX ASPHALT BINDER COURSE, IL-19.0, N90 (TON)	POLYMERIZED HOT-MIX ASPHALT SURFACE COURSE, MIX "D", N90 (TON)	HMA BASE COURSE, 10" (SQ YD)	HMA SHOULDERS (TON)	SHOULDER RUMBLE STRIP (FT)	AGGREGATE WEDGE SHOULDER, TYPE B (TON)	HMA SURFACE REMOVAL - BUTT JOINT (SY)	TEMPORARY RAMP (SY)
I-72 WB (INSIDE SHLD)													
	20+48.80	RT	TO	46+70.00	RT	2,621	0.66				318	2,621	315
	46+70.00	RT	TO	47+60.00	RT	90	0.02				10	90	11
	47+60.00	RT	TO	50+10.00	RT	250	0.06				23	250	30
	50+10.00	RT	TO	51+00.00	RT	90	0.02				10	90	11
	51+00.00	RT	TO	80+16.00	RT	2,916	0.74				354	2,916	350
	80+16.00	RT	TO	83+21.00	RT	305	0.13	136			37	305	
	83+21.00	RT	TO	84+45.00	RT	124	0.04	28			15	124	15
	84+45.00	RT	TO	158+80.00	RT	7,435	1.88				902	7,435	892
	158+80.00	RT	TO	159+70.00	RT	90	0.02				10	90	11
	159+70.00	RT	TO	162+10.00	RT	240	0.06				22	240	29
	162+10.00	RT	TO	163+00.00	RT	90	0.02				10	90	11
	163+00.00	RT	TO	190+95.22	RT	2,795	0.71				339	2,795	335
	190+95.22	RT	TO	193+38.04	RT	243	0.06				29	243	29
	201+56.86	RT	TO	203+99.68	RT	243	0.06				29	243	29
	203+99.68	RT	TO	241+58.00	RT	3,758	0.95				456	3,758	451
	241+58.00	RT	TO	244+63.00	RT	305	0.13	136			37	305	
	244+63.00	RT	TO	245+87.00	RT	124	0.04	28			15	124	15
	245+87.00	RT	TO	267+08.00	RT	2,121	0.72				257	2,121	255
	267+08.00	RT	TO	267+98.00	RT	90	0.03				10	90	11
	267+98.00	RT	TO	270+48.00	RT	250	0.08				23	250	30
	270+48.00	RT	TO	271+38.00	RT	90	0.03				10	90	11
	271+38.00	RT	TO	295+70.43	RT	2,432	0.62				295	2,432	292
MEDIAN CROSSOVERS													
	79+95.21						0.07				22		7
	241+36.90						0.07				22		7
MECHANICSBURG RD. RAMP A													
RAMP PVT	100+00.00		TO	103+01.80		302	0.10	34	23				
	103+01.80		TO	118+90.80		1,589	1.07	356	237			30	30
OUTSIDE SHLD	100+00.00	RT	TO	106+62.40	RT	662	0.28				82	45	
	106+62.40	RT	TO	118+90.80	RT	1,228	0.31				92	84	
INSIDE SHLD	103+01.80	LT	TO	106+62.40	LT	361	0.06				18		
	106+62.40	LT	TO	118+90.80	LT	1,228	0.21				61	147	
MECHANICSBURG RD. RAMP B													
RAMP PVT	201+54.20		TO	219+00.00		1,746	1.18	391	261			30	30
	219+00.00		TO	226+50.00		750	0.25	84	56				
OUTSIDE SHLD	201+54.20	RT	TO	216+00.00	RT	1,446	0.37				108	99	
	216+00.00	RT	TO	226+50.00	RT	1,050	0.44				131	72	
INSIDE SHLD	201+54.20	LT	TO	214+89.40	LT	1,335	0.23				66	160	
	214+89.40	LT	TO	219+00.30	LT	411	0.14				41		
MECHANICSBURG RD. RAMP C													
RAMP PVT	300+00.00		TO	303+02.40		302	0.10	34	23				
	303+02.40		TO	319+02.40		1,600	1.08	358	239			30	30
OUTSIDE SHLD	300+00.00	RT	TO	306+62.40	RT	662	0.28				82	45	
	306+62.40	RT	TO	319+02.40	RT	1,240	0.31				93	85	
INSIDE SHLD	303+02.40	LT	TO	306+62.40	LT	360	0.15				18		
	306+62.40	LT	TO	319+02.40	LT	1,240	0.21				62	149	
MECHANICSBURG RD. RAMP D													
RAMP PVT	401+35.20		TO	416+86.60		1,551	0.52	348	232			30	30
	416+86.60		TO	424+36.36		750	0.25	84	56				
OUTSIDE SHLD	401+35.20	RT	TO	413+86.36	RT	1,251	0.32				93	85	
	413+86.36	RT	TO	424+36.36	RT	1,050	0.44				131	72	
INSIDE SHLD	401+35.20	LT	TO	412+78.30	LT	1,143	0.19				57	137	
	412+78.30	LT	TO	416+86.60	LT	408	0.07				41		

USER NAME = sparksgw	DESIGNED - BTM	REVISED -	<p align="center">STATE OF ILLINOIS DEPARTMENT OF TRANSPORTATION</p>	<p align="center">SCHEDULE OF QUANTITIES</p>				F.A.I. RTE.	SECTION	COUNTY	TOTAL SHEETS	SHEET NO.
PLOT SCALE = 2.0000' / in.	DRAWN - BTM	REVISED -		SCALE:	SHEET NO.	OF	SHEETS	STA.	TO	STA.	* (84-10-1)RS-3, (84-10-2)RS-4	CONTRACT NO. 72C90
PLOT DATE = Sep-06-2013 07:46:38AM	CHECKED - JSA	REVISED -									ILLINOIS FED. AID PROJECT	
	DATE - 12/19/12	REVISED -										

PAVING SCHEDULE

LOCATION	STATION	TO	STATION	LENGTH (FT)	POLYMERIZED BITUMINOUS MATERIALS (PRIME COAT) (TON)	POLYMERIZED HOT-MIX ASPHALT BINDER COURSE, IL-19.0, N90 (TON)	POLYMERIZED HOT-MIX ASPHALT SURFACE COURSE, MIX "D", N90 (TON)	HMA BASE COURSE, 10" (SQ YD)	HMA SHOULDERS (TON)	SHOULDER RUMBLE STRIP (FT)	AGGREGATE WEDGE SHOULDER, TYPE B (TON)	HMA SURFACE REMOVAL - BUTT JOINT (SY)	TEMPORARY RAMP (SY)
TR 420 RAMP A													
RAMP PVT	100+00.00	TO	103+02.30	302	0.10	34	23						
	103+02.30	TO	119+42.20	1,640	1.11	367	245					30	30
OUTSIDE SHLD	100+00.00	RT	TO	106+62.41	RT	662	0.28		82		45		
	106+62.41	RT	TO	119+42.20	RT	1,280	0.32		96		87		
INSIDE SHLD	103+02.30	LT	TO	106+62.41	LT	360	0.06		45				
	106+62.41	LT	TO	119+42.20	LT	1,280	0.22		64		154		
TR 420 RAMP B													
RAMP PVT	201+37.60	TO	217+49.60	1,612	1.09	361	241					30	30
	217+49.60	TO	224+99.80	750	0.25	84	56						
OUTSIDE SHLD	201+37.60	RT	TO	217+49.60	RT	1,612	0.41		120		110		
	217+49.60	RT	TO	224+99.80	RT	750	0.32		93		51		
INSIDE SHLD	200+75.00	LT	TO	217+49.60	LT	1,675	0.28		83		100		
	217+49.60	LT	TO	224+99.80	LT	750	0.13		37				
TR 420 RAMP C													
RAMP PVT	300+00.00	TO	303+02.50	303	0.10	34	23						
	303+02.50	TO	317+93.20	1,491	1.01	334	223					30	30
OUTSIDE SHLD	300+00.00	RT	TO	306+62.40	RT	662	0.28		82		45		
	306+62.40	RT	TO	317+93.20	RT	1,131	0.29		84		77		
INSIDE SHLD	303+02.50	LT	TO	306+62.40	LT	360	0.06		45				
	306+62.40	LT	TO	317+93.20	LT	1,131	0.19		56		136		
TR 420 RAMP D													
RAMP PVT	401+39.70	TO	415+84.40	1,445	0.98	162	216					30	30
	415+84.40	TO	423+40.60	756	0.26	85	56						
OUTSIDE SHLD	401+39.70	RT	TO	412+83.81	RT	1,144	0.29		85		103		
	412+83.81	RT	TO	423+40.60	RT	1,057	0.45		132		951		
INSIDE SHLD	401+39.70	LT	TO	411+77.20	LT	1,038	0.18		52		125		
	411+77.20	LT	TO	415+84.40	LT	407	0.07		20				
TOTALS =					107.7	39,723	14,926	652	15,073	99,498	11,288	2,813	1,529

USER NAME = sparksgw	DESIGNED - BTM	REVISED -	STATE OF ILLINOIS DEPARTMENT OF TRANSPORTATION	SCHEDULE OF QUANTITIES				F.A.I. RTE.	SECTION	COUNTY	TOTAL SHEETS	SHEET NO.
PLOT SCALE = 2.0000' / in.	DRAWN - BTM	REVISED -		* (84-10-1)RS-3, (84-10-2)RS-4	SANGAMON	194	24					
PLOT DATE = Sep-06-2013 07:47:04AM	CHECKED - JSA	REVISED -		CONTRACT NO. 72C90								
DATE = 12/19/12	REVISED -	SCALE:		SHEET NO.	OF	SHEETS	STA.	TO	STA.	ILLINOIS FED. AID PROJECT		

REMOVAL SCHEDULE									
LOCATION	STATION	TO	STATION	LENGTH (FT)	HMA SURF REM, 1/2" (SQ YD)	HMA SURF REM, 1 1/2" (SQ YD)	HMA SURF REM, 3" (SQ YD)	HMA SURF REM, 3 1/4" (SQ YD)	HMA SURF REM, 4 1/2" (SQ YD)
I-72 EB MAINLINE									
	20+48.80	TO	90+42.89	6,994					27,976
	90+42.89	TO	95+93.00	550					1,834
	95+93.00	TO	192+60.00	9,667					25,779
	202+71.00	TO	295+70.43	9,299					24,798
I-72 EB (OUTSIDE SHLD)									
	20+48.80 RT	TO	28+28.00 RT	779	866				
	34+91.00 RT	TO	46+52.00 RT	1,161	1,290				
	46+52.00 RT	TO	47+42.00 RT	90			100		
	47+42.00 RT	TO	49+92.00 RT	250			278		
	49+92.00 RT	TO	50+82.00 RT	90			100		
	50+82.00 RT	TO	58+58.00 RT	776	862				
	70+20.00 RT	TO	159+03.00 RT	8,883	9,870				
	159+03.00 RT	TO	159+93.00 RT	90			100		
	159+93.00 RT	TO	162+43.00 RT	250			278		
	162+43.00 RT	TO	163+33.00 RT	90			100		
	163+33.00 RT	TO	190+79.48 RT	2,746	3,052				
	190+79.48 RT	TO	193+22.30 RT	243	270				
	201+41.12 RT	TO	203+84.00 RT	243	270				
	203+84.00 RT	TO	249+63.00 RT	4,579	5,088				
	256+31.00 RT	TO	267+08.00 RT	1,077	1,197				
	267+08.00 RT	TO	267+98.00 RT	90			100		
	267+98.00 RT	TO	270+48.00 RT	250			278		
	270+48.00 RT	TO	271+38.00 RT	90			100		
	271+38.00 RT	TO	280+92.00 RT	954	1,060				
	292+53.00 RT	TO	295+70.43 RT	317	353				
I-72 EB (INSIDE SHLD)									
	20+48.80 LT	TO	46+52.00 LT	2,603	1,735				
	46+52.00 LT	TO	47+42.00 LT	90			60		
	47+42.00 LT	TO	49+92.00 LT	250			167		
	49+92.00 LT	TO	50+82.00 LT	90			60		
	50+82.00 LT	TO	75+45.00 LT	2,463	1,642				
	75+45.00 LT	TO	76+69.00 LT	124	83				
	76+69.00 LT	TO	79+74.00 LT	305	203				
	79+74.00 LT	TO	159+03.00 LT	7,929	5,286				
	159+03.00 LT	TO	159+93.00 LT	90			60		
	159+93.00 LT	TO	162+43.00 LT	250			167		
	162+43.00 LT	TO	163+33.00 LT	90			60		
	163+33.00 LT	TO	190+79.48 LT	2,746	1,831				
	190+79.48 LT	TO	193+22.30 LT	243	162				
	201+41.12 LT	TO	203+84.00 LT	243	162				
	203+84.00 LT	TO	236+87.00 LT	3,303	2,202				
	236+87.00 LT	TO	238+11.00 LT	124	83				
	238+11.00 LT	TO	241+16.00 LT	305	203				
	241+11.00 LT	TO	267+08.00 LT	2,597	1,731				
	267+08.00 LT	TO	267+98.00 LT	90			60		
	267+98.00 LT	TO	270+48.00 LT	250			167		
	270+48.00 LT	TO	271+38.00 LT	90			60		
	271+38.00 LT	TO	293+36.00 LT	2,198	1,465				
	293+36.00 LT	TO	294+60.00 LT	124	83				
	294+60.00 LT	TO	295+70.43 LT	110	74				

REMOVAL SCHEDULE										
LOCATION	STATION	TO	STATION	LENGTH (FT)	HMA SURF REM, 1/2" (SQ YD)	HMA SURF REM, 1 1/2" (SQ YD)	HMA SURF REM, 3" (SQ YD)	HMA SURF REM, 3 1/4" (SQ YD)	HMA SURF REM, 4 1/2" (SQ YD)	
I-72 WB MAINLINE										
	20+48.80	TO	192+75.00	17,226					45,937	
	202+87.00	TO	295+70.43	9,283					24,756	
I-72 WB (OUTSIDE SHLD)										
	20+48.80 LT	TO	25+52.00 LT	503	559					
	37+15.00 LT	TO	46+70.00 LT	955	1,061					
	46+70.00 LT	TO	47+60.00 LT	90			100			
	47+60.00 LT	TO	50+10.00 LT	250			278			
	50+10.00 LT	TO	51+00.00 LT	90			100			
	51+00.00 LT	TO	62+46.00 LT	1,146	1,273					
	69+09.00 LT	TO	158+80.00 LT	8,971	9,968					
	158+80.00 LT	TO	159+70.00 LT	90			100			
	159+70.00 LT	TO	162+10.00 LT	240			267			
	162+10.00 LT	TO	163+00.00 LT	90			100			
	163+00.00 LT	TO	190+95.22 LT	2,795	3,106					
	190+95.22 LT	TO	193+38.04 LT	243	270					
	201+56.86 LT	TO	203+99.68 LT	243	270					
	203+99.68 LT	TO	247+81.00 LT	4,381	4,868					
	259+51.00 LT	TO	267+08.00 LT	757	841					
	267+08.00 LT	TO	267+98.00 LT	90			100			
	267+98.00 LT	TO	270+48.00 LT	250			278			
	270+48.00 LT	TO	271+38.00 LT	90			100			
	271+38.00 LT	TO	280+33.00 LT	895	994					
	286+96.00 LT	TO	295+70.43 LT	874	972					
I-72 WB (INSIDE SHLD)										
	20+48.80 RT	TO	46+70.00 RT	2,621	1,747					
	46+70.00 RT	TO	47+60.00 RT	90			60			
	47+60.00 RT	TO	50+10.00 RT	250			167			
	50+10.00 RT	TO	51+00.00 RT	90			60			
	51+00.00 RT	TO	80+16.00 RT	2,916	1,944					
	80+16.00 RT	TO	83+21.00 RT	305	203					
	83+21.00 RT	TO	84+45.00 RT	124	83					
	84+45.00 RT	TO	158+80.00 RT	7,435						
	158+80.00 RT	TO	159+70.00 RT	90			60			
	159+70.00 RT	TO	162+10.00 RT	240			160			
	162+10.00 RT	TO	163+00.00 RT	90			60			
	163+00.00 RT	TO	190+95.22 RT	2,795	1,863					
	190+95.22 RT	TO	193+38.04 RT	243	162					
	201+56.86 RT	TO	203+99.68 RT	243	162					
	203+99.68 RT	TO	241+58.00 RT	3,758	2,506					
	241+58.00 RT	TO	244+63.00 RT	305	203					
	244+63.00 RT	TO	245+87.00 RT	124	83					
	245+87.00 RT	TO	267+08.00 RT	2,121	1,414					
	267+08.00 RT	TO	267+98.00 RT	90			60			
	267+98.00 RT	TO	270+48.00 RT	250			167			
	270+48.00 RT	TO	271+38.00 RT	90			60			
	271+38.00 RT	TO	295+70.43 RT	2,432	1,622					
MEDIAN CROSSOVERS										
	79+95.21				191					
	241+36.90				191					

USER NAME = sparksgw DESIGNED - BTM DRAWN - BTM PLOT SCALE = 2.0000' / in. PLOT DATE = Sep-06-2013 07:47:25AM	CHECKED - JSA DATE - 12/19/12	REVISED - REVISED - REVISED - REVISED -	STATE OF ILLINOIS DEPARTMENT OF TRANSPORTATION	SCHEDULE OF QUANTITIES			F.A.I. RTE. I-72	SECTION *	COUNTY SANGAMON	TOTAL SHEETS 194	SHEET NO. 25				
							* (84-10-1)RS-3, (84-10-2)RS-4			CONTRACT NO. 72C90					
							SCALE:	SHEET NO.	OF SHEETS	STA.	TO STA.	ILLINOIS FED. AID PROJECT			

REMOVAL SCHEDULE									
LOCATION	STATION	TO	STATION	LENGTH (FT)	HMA SURF REM, 1/2" (SQ YD)	HMA SURF REM, 1 1/2" (SQ YD)	HMA SURF REM, 3" (SQ YD)	HMA SURF REM, 3 1/4" (SQ YD)	HMA SURF REM, 4 1/2" (SQ YD)
MECHANICSBURG RD. RAMP A									
RAMP PVT	100+00.00	TO	103+01.80	302				268	
	103+01.80	TO	118+90.80	1,589				2,825	
RT SHLD	100+00.00 RT	TO	106+62.40 RT	662		736			
	106+62.40 RT	TO	118+90.80 RT	1,228		819			
LT SHLD	103+01.80 LT	TO	106+62.40 LT	361		160			
	106+62.40 LT	TO	118+90.80 LT	1,228		546			
MECHANICSBURG RD. RAMP B									
RAMP PVT	201+54.20	TO	219+00.00	1,746				3,104	
	219+00.00	TO	226+50.00	750				667	
RT SHLD	201+54.20 RT	TO	216+00.00 RT	1,446		964			
	216+00.00 RT	TO	226+50.00 RT	1,050		1,167			
LT SHLD	201+54.20 LT	TO	214+89.40 LT	1,335		593			
	214+89.40 LT	TO	219+00.30 LT	411		183			
MECHANICSBURG RD. RAMP C									
RAMP PVT	300+00.00	TO	303+02.40	302				269	
	303+02.40	TO	319+02.40	1,600				2,844	
RT SHLD	300+00.00 RT	TO	306+62.40 RT	662		736			
	306+62.40 RT	TO	319+02.40 RT	1,240		827			
LT SHLD	303+02.40 LT	TO	306+62.40 LT	360		160			
	306+62.40 LT	TO	319+02.40 LT	1,240		551			
MECHANICSBURG RD. RAMP D									
RAMP PVT	401+35.20	TO	416+86.60	1,551				2,758	
	416+86.60	TO	424+36.36	750				666	
RT SHLD	401+35.20 RT	TO	413+86.36 RT	1,251		834			
	413+86.36 RT	TO	424+36.36 RT	1,050		1,167			
LT SHLD	401+35.20 LT	TO	412+78.30 LT	1,143		508			
	412+78.30 LT	TO	416+86.60 LT	408		181			
TR 420 RAMP A									
RAMP PVT	100+00.00	TO	103+02.30	302				269	
	103+02.30	TO	119+42.20	1,640				2,915	
RT SHLD	100+00.00 RT	TO	106+62.41 RT	662		736			
	106+62.41 RT	TO	119+42.20 RT	1,280		853			
LT SHLD	103+02.30 LT	TO	106+62.41 LT	360		160			
	106+62.41 LT	TO	119+42.20 LT	1,280		569			
TR 420 RAMP B									
RAMP PVT	201+37.60	TO	217+49.60	1,612				2,866	
	217+49.60	TO	224+99.80	750				667	
RT SHLD	201+37.60 RT	TO	217+49.60 RT	1,612		1,075			
	217+49.60 RT	TO	224+99.80 RT	750		834			
LT SHLD	201+37.60 LT	TO	217+49.60 LT	1,612		716			
	217+49.60 LT	TO	224+99.80 LT	750		333			
TR 420 RAMP C									
RAMP PVT	300+00.00	TO	303+02.50	303				269	
	303+02.50	TO	317+93.20	1,491				2,650	
RT SHLD	300+00.00 RT	TO	306+62.40 RT	662		736			
	306+62.40 RT	TO	317+93.20 RT	1,131		754			
LT SHLD	303+02.50 LT	TO	306+62.40 LT	360		160			
	306+62.40 LT	TO	317+93.20 LT	1,131		503			

REMOVAL SCHEDULE									
LOCATION	STATION	TO	STATION	LENGTH (FT)	HMA SURF REM, 1/2" (SQ YD)	HMA SURF REM, 1 1/2" (SQ YD)	HMA SURF REM, 3" (SQ YD)	HMA SURF REM, 3 1/4" (SQ YD)	HMA SURF REM, 4 1/2" (SQ YD)
TR 420 RAMP D									
RAMP PVT	401+39.70	TO	415+84.40	1,445				2,568	
	415+84.40	TO	423+40.60	756				672	
RT SHLD	401+39.70 RT	TO	412+83.81 RT	1,144		763			
	412+83.81 RT	TO	423+40.60 RT	1,057		1,174			
LT SHLD	401+39.70 LT	TO	411+77.20 LT	1,038		461			
	411+77.20 LT	TO	415+84.40 LT	407		181			
TOTALS =					77,678	22,415	2,293	96,970	80,387

USER NAME = sparksgw DESIGNED - BTM DRAWN - BTM PLOT SCALE = 2.0000' / in. CHECKED - JSA PLOT DATE = Sep-06-2013 07:47:53AM DATE - 12/19/12 REVISIONS - REVISIONS - REVISIONS - REVISIONS -	STATE OF ILLINOIS DEPARTMENT OF TRANSPORTATION		SCHEDULE OF QUANTITIES		F.A.I. RTE.	SECTION	COUNTY	TOTAL SHEETS	SHEET NO.
					I-72	*	SANGAMON	194	26
					* (84-10-1)RS-3, (84-10-2)RS-4		CONTRACT NO. 72C90		
					SCALE:	SHEET NO.	OF	SHEETS	STA.

FILE NAME = c:\pwwork\pwwork\sparksgw\d0330228\0672C90.sht.schedule.dgn

PAVEMENT MARKING SCHEDULE

LOCATION	STATION	TO	STATION	LENGTH	MODIFIED URETHANE PVT MKG-LINE 5"		PREF. PLASTIC PVT. MKG, TY. B INLAID-LINE 5"	PREF. PLASTIC PVT. MKG, TY. B INLAID-LINE 6"	PREF. PLASTIC PVT. MKG, TY. B INLAID-LINE 8"	PREF. PLASTIC PVT. MKG, TY. B INLAID-LINE 12"	PREF. PLASTIC PVT. MKG, TY. B INLAID-LTRS. & SYMB.	RAISED REFLECTIVE PAVEMENT MARKERS	RAISED REFLECTIVE PVT MARKER REMOVAL	DELINEATORS	SHORT-TERM PVT MKG	WORK ZONE PVT. MARKING REM.
					(FT)	WHITE (FT)	YELLOW (FT)	(FT)	(FT)	(FT)	(FT)	(SQ FT)	(EACH)	(EACH)	(EACH)	(FT)
I-72 EB MAINLINE																
	20+48.80	TO	28+28.00	779	779	779	390					39	39		218	72
	28+28.00	TO	31+17.00	289		289	145	72				14	14		81	27
	31+17.00	TO	34+91.00	374		374	187		374	187		19	19		105	35
	34+91.00	TO	58+58.00	2,367	2,367	2,367	1,184					118	118		663	219
	58+58.00	TO	63+71.00	513		513	257		513			26	26		144	47
	63+71.00	TO	70+20.00	649		649	325	162				32	32		182	60
	70+20.00	TO	90+43.00	2,023	2,023	2,023	1,012				130	101	101		566	187
	90+43.00	TO	95+93.00	550	550	550	138					14	14		99	33
	95+93.00	TO	193+22.58	9,730	9,730	9,730	2,432					243	243		1,751	578
	193+22.58	TO	201+41.40	819	1,024	819	205					20	20		147	49
	201+41.40	TO	249+63.00	4,822	4,822	4,822	1,205					121	121		868	286
	249+63.00	TO	252+49.00	286		286	72	72				7	7		51	17
	252+49.00	TO	256+31.00	382		382	96		382	187		10	10		69	23
	256+31.00	TO	280+92.00	2,461	2,461	2,461	615					62	62		443	146
	280+92.00	TO	286+03.00	511		511	128		511			13	13		92	30
	286+03.00	TO	292+53.00	650		650	163	163				16	16		117	39
	292+53.00	TO	295+70.43	317	317	317	79					8	8		57	19
I-72 WB MAINLINE																
	20+48.80	TO	25+52.13	503	503	503	126					13	13		91	30
	25+52.13	TO	32+04.00	652		652	163	163				16	16		117	39
	32+04.00	TO	37+15.00	511		511	128		511			13	13		92	30
	37+15.00	TO	62+46.00	2,531	2,531	2,531	633					63	63		456	150
	62+46.00	TO	66+18.00	372		372	93		372	187		9	9		67	22
	66+18.00	TO	69+08.83	291		291	73	73				7	7		52	17
	69+08.83	TO	193+37.70	12,429	12,429	12,429	3,107					311	311		2,237	738
	193+37.70	TO	201+56.53	819	1,024	819	205					20	20		147	49
	201+56.53	TO	241+16.90	3,960	3,960	3,960	990					99	99		713	235
	241+16.90	TO	247+81.08	664	664	664	166					17	17		120	39
	247+81.08	TO	254+13.00	632		632	158	158				16	16		114	38
	254+13.00	TO	259+51.00	538		538	135		538			13	13		97	32
	259+51.00	TO	280+33.00	2,082	2,082	2,082	521					52	52		375	124
	280+33.00	TO	284+12.00	379		379	95		379	187		9	9		68	23
	284+12.00	TO	286+95.94	284		284	71	71				7	7		51	17
	286+95.94	TO	295+70.43	874	874	874	219					22	22		157	52

USER NAME = sparksgw	DESIGNED - BTM	REVISED -	STATE OF ILLINOIS DEPARTMENT OF TRANSPORTATION	SCHEDULE OF QUANTITIES				F.A.I. RTE.	SECTION	COUNTY	TOTAL SHEETS	SHEET NO.
PLOT SCALE = 2.0000' / in.	DRAWN - BTM	REVISED -						I-72	*	SANGAMON	194	27
PLOT DATE = Sep-06-2013 07:48:18AM	CHECKED - JSA	REVISED -		SCALE: SHEET NO. OF SHEETS STA. TO STA.				* (84-10-1)RS-3, (84-10-2)RS-4		CONTRACT NO. 72C90		
	DATE - 12/19/12	REVISED -		ILLINOIS FED. AID PROJECT								

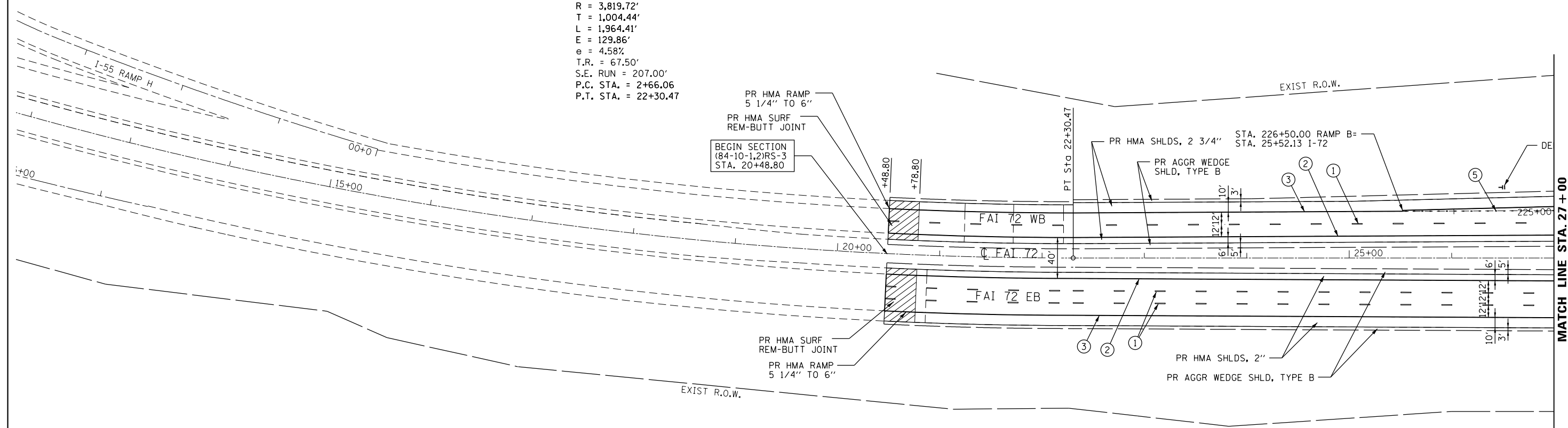
PAVEMENT MARKING SCHEDULE

LOCATION	STATION	TO	STATION	LENGTH	MODIFIED URETHANE PVT MKG-LINE 5"		PREF. PLASTIC PVT. MKG, TY. B INLAID-LINE 5"	PREF. PLASTIC PVT. MKG, TY. B INLAID-LINE 6"	PREF. PLASTIC PVT. MKG, TY. B INLAID-LINE 8"	PREF. PLASTIC PVT. MKG, TY. B INLAID-LINE 12"	PREF. PLASTIC PVT. MKG, TY. B INLAID-LTRS. & SYMB.	RAISED REFLECTIVE PAVEMENT MARKERS	RAISED REFLECTIVE PVT MARKER REMOVAL	DELINEATORS	SHORT-TERM PVT MKG	WORK ZONE PVT. MARKING REM.
					(FT)	WHITE (FT)	YELLOW (FT)	(FT)	(FT)	(FT)	(FT)	(SQ FT)	(EACH)	(EACH)	(EACH)	(FT)
MECHANICSBURG RD. RAMP A																
	100+00.00	TO	103+01.80	302	302							15	15	2	54	18
	103+01.80	TO	106+62.40	361	361			361				38	38	5	65	21
	106+62.40	TO	118+90.80	1,228	1,228	1,228								12	221	73
MECHANICSBURG RD. RAMP B																
	201+54.20	TO	214+89.00	1,335	1,335	1,335								21	240	79
	214+89.00	TO	219+98.00	509	509			509						6	92	30
	219+98.00	TO	226+50.00	652	652									6	117	39
MECHANICSBURG RD. RAMP C																
	300+00.00	TO	303+02.40	302	302							15	15	2	54	18
	303+02.40	TO	306+62.40	360	360			360				38	38	5	65	21
	306+62.40	TO	319+02.40	1,240	1,240	1,240								12	223	74
MECHANICSBURG RD. RAMP D																
	401+35.20	TO	412+78.00	1,143	1,143	1,143								21	206	68
	412+78.00	TO	417+88.00	510	510			510						6	92	30
	417+88.00	TO	424+36.40	648	648									6	117	39
TR 420 RAMP A																
	100+00.00	TO	103+02.30	302	302							15	15	2	54	18
	103+02.30	TO	106+64.41	362	362			362				38	38	5	65	22
	106+64.41	TO	119+42.20	1,278	1,278	1,278								22	230	76
TR 420 RAMP B																
	201+37.60	TO	213+41.00	1,203	1,203	1,203								20	217	71
	213+41.00	TO	218+50.00	509	509			509						6	92	30
	218+50.00	TO	224+99.80	650	650									6	117	39
TR 420 RAMP C																
	300+00.00	TO	303+02.50	303	303							15	15	2	54	18
	303+02.50	TO	306+62.40	360	360			360				38	38	5	65	21
	306+62.40	TO	317+93.20	1,131	1,131									22	204	67
TR 420 RAMP D																
	401+39.70	TO	411+64.00	1,024	1,024	1,024								20	184	61
	411+64.00	TO	417+13.00	549	549			549						6	99	33
	417+13.00	TO	423+40.60	628	628									6	113	37
TOTALS =					65,029	63,495	15,509	933	7,100	748	130	1,763	1,763	226	13,647	4,504

USER NAME = sparksgw	DESIGNED - BTM	REVISED -	STATE OF ILLINOIS DEPARTMENT OF TRANSPORTATION	SCHEDULE OF QUANTITIES				F.A.I. RTE.	SECTION	COUNTY	TOTAL SHEETS	SHEET NO.
PLOT SCALE = 2.0000' / in.	DRAWN - BTM	REVISED -						I-72	*	SANGAMON	194	28
PLOT DATE = Sep-06-2013 07:48:43AM	CHECKED - JSA	REVISED -		SCALE: SHEET NO. OF SHEETS STA. TO STA.				* (84-10-1)RS-3, (84-10-2)RS-4		CONTRACT NO. 72C90		
	DATE - 12/19/12	REVISED -		ILLINOIS FED. AID PROJECT								



EXIST. CURVE C1 (I-72)
 PI STA. = 12+70.50
 $\Delta = 29^\circ 27' 58''$ (LT)
 $D = 1^\circ 30' 00''$
 $R = 3,819.72'$
 $T = 1,004.44'$
 $L = 1,964.41'$
 $E = 129.86'$
 $e = 4.58\%$
 $T.R. = 67.50'$
 $S.E. RUN = 207.00'$
 $P.C. STA. = 2+66.06$
 $P.T. STA. = 22+30.47$

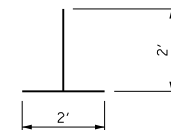


BEGIN SECTION
 (84-10-1,2)RS-3
 STA. 20+48.80

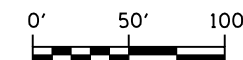
MEDIAN VARIES FROM 40' AT STA. 22+30.47 TO 88' AT STA. 69+41.50

PAVEMENT MARKING LEGEND

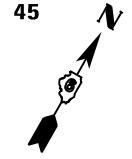
- ① PR PREFORMED PLASTIC PAVEMENT MARKING, TYPE B (INLAID), LINE 5" (30' SKIP, 10' DASH)
- ② PR URETHANE PAVEMENT MARKING, LINE 5" (SOLID YELLOW)
- ③ PR URETHANE PAVEMENT MARKING, LINE 5" (SOLID WHITE)
- ④ PR URETHANE PAVEMENT MARKING, LINE 6" (SOLID WHITE)
- ⑤ PR URETHANE PAVEMENT MARKING, LINE 6" (6' SKIP, 2' DASH)
- ⑥ PR PREFORMED PLASTIC PAVEMENT MARKING, TYPE B (INLAID), LINE 8" (SOLID WHITE)
- ⑦ PR PREFORMED PLASTIC PAVEMENT MARKING, TYPE B (INLAID), LINE 12" (SOLID WHITE)
- ⑧ PR PREFORMED PLASTIC PAVEMENT MARKING, TYPE B (INLAID), LINE 24" (SOLID WHITE)
- ⑨ PR PREFORMED PLASTIC PAVEMENT MARKING, TYPE B (INLAID), LETTERS & SYMBOLS (SOLID WHITE)
- ▷ PR RAISED REFLECTIVE PAVEMENT MARKER, ONE-WAY, WHITE
- ◀ PR RAISED REFLECTIVE PAVEMENT MARKER, ONE-WAY, AMBER



UNDERDRAIN OUTLET LOCATION
 MARKING, "T" ON SHOULDER (TYP.)
 PR URETHANE PAVEMENT MARKING, LINE 5" (SOLID WHITE)



USER NAME = sparksgw PLOT SCALE = 100.0000' / in. PLOT DATE = Sep-06-2013 07:50:22AM	DESIGNED - BTM	REVISED -	STATE OF ILLINOIS DEPARTMENT OF TRANSPORTATION	PLAN SHEETS		F.A.I. RTE. I-72	SECTION *	COUNTY SANGAMON	TOTAL SHEETS 194	SHEET NO. 29
	CHECKED - JSA	REVISED -		SCALE:	SHEET NO. OF SHEETS	STA. TO STA.	* (84-10-1)RS-3, (84-10-2)RS-4		CONTRACT NO. 72C90	
DATE - 12/19/12	REVISED -						ILLINOIS FED. AID PROJECT			



EXIST. CURVE 2, RAMP B
 PI STA. = 213+05.78
 $\Delta = 46^\circ 56' 51''$ (RT)
 D = 7° 30' 00"
 R = 763.94'
 T = 331.75'
 L = 625.96'
 E = 68.93'
 e = 8.0%
 T.R. = 48.00'
 S.E. RUN = 256.00'
 P.C. STA. = 209+74.02
 P.T. STA. = 215+99.98

STA. 36+50.00
 EXISTING 3' DIA.
 PIPE CULV.
 W/END SECTIONS
 EXISTING INLET

PR HMA SHLDS, 2"

PR HMA RAMP
 3 3/4" TO 6"

PR AGGR WEDGE
 SHLD, TYPE B

PR HMA SHLDS, 2 3/4"

PR HMA SHLDS, 2"

PR AGGR WEDGE
 SHLD, TYPE B

PR HMA SHLDS, 2"

PR HMA RAMP
 6" TO 3 3/4"

PR HMA SHLDS, 2"

PR AGGR WEDGE
 SHLD, TYPE B

PR HMA SHLDS, 2"

PR HMA RAMP
 6" TO 3 3/4"

PR HMA SHLDS, 2"

PR AGGR WEDGE
 SHLD, TYPE B

PR HMA SHLDS, 2"

PR HMA RAMP
 6" TO 3 3/4"

PR HMA SHLDS, 2"

PR AGGR WEDGE
 SHLD, TYPE B

PR HMA SHLDS, 2"

PR HMA RAMP
 6" TO 3 3/4"

PR HMA SHLDS, 2"

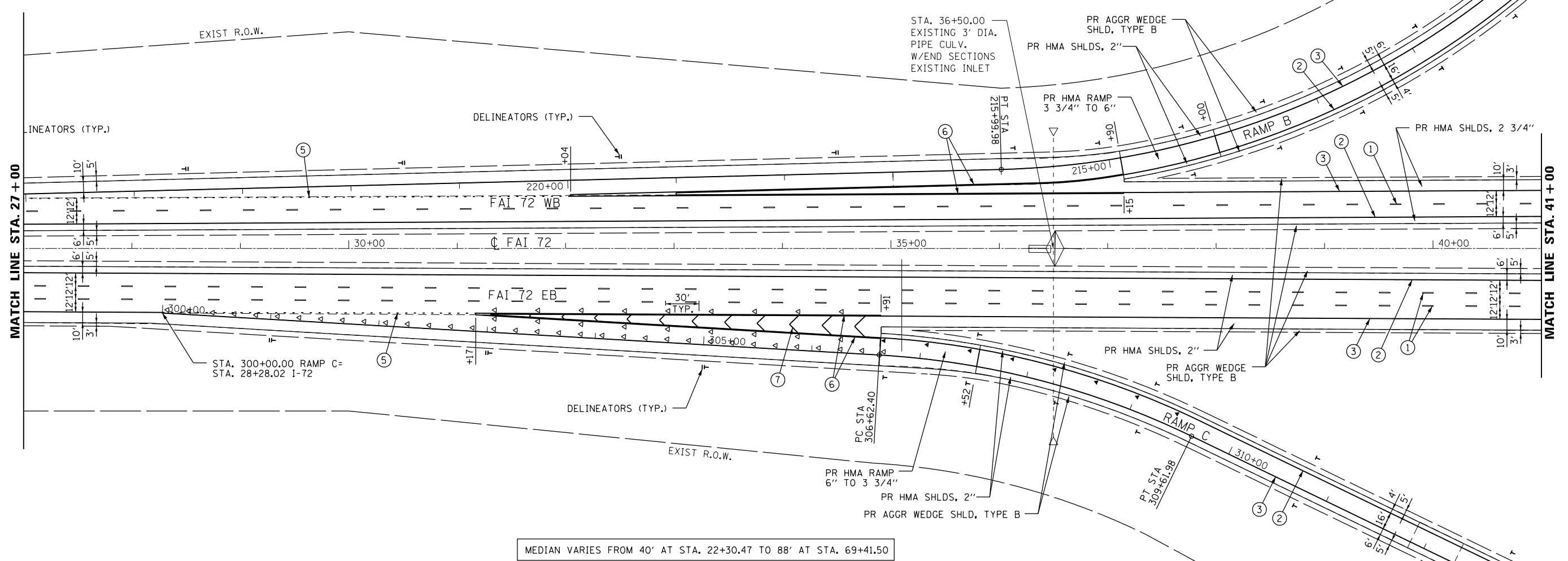
PR AGGR WEDGE
 SHLD, TYPE B

PR HMA SHLDS, 2"

PR HMA RAMP
 6" TO 3 3/4"

PR HMA SHLDS, 2"

PR AGGR WEDGE
 SHLD, TYPE B

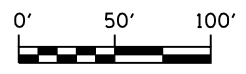


MEDIAN VARIES FROM 40' AT STA. 22+30.47 TO 88' AT STA. 69+41.50

EXIST. CURVE 1, RAMP C
 PI STA. = 308+14.14
 $\Delta = 22^\circ 28' 08''$ (RT)
 D = 7° 30' 00"
 R = 763.94'
 T = 151.74'
 L = 299.58'
 E = 14.92'
 e = 8.0%
 T.R. = 48.00'
 S.E. RUN = 256.00'
 P.C. STA. = 306+62.40
 P.T. STA. = 309+61.98

PAVEMENT MARKING LEGEND

- ① PR PREFORMED PLASTIC PAVEMENT MARKING, TYPE B (INLAID), LINE 5" (30' SKIP, 10' DASH)
- ② PR URETHANE PAVEMENT MARKING, LINE 5" (SOLID YELLOW)
- ③ PR URETHANE PAVEMENT MARKING, LINE 5" (SOLID WHITE)
- ④ PR URETHANE PAVEMENT MARKING, LINE 6" (SOLID WHITE)
- ⑤ PR URETHANE PAVEMENT MARKING, LINE 6" (6' SKIP, 2' DASH)
- ⑥ PR PREFORMED PLASTIC PAVEMENT MARKING, TYPE B (INLAID), LINE 8" (SOLID WHITE)
- ⑦ PR PREFORMED PLASTIC PAVEMENT MARKING, TYPE B (INLAID), LINE 12" (SOLID WHITE)
- ⑧ PR PREFORMED PLASTIC PAVEMENT MARKING, TYPE B (INLAID), LINE 24" (SOLID WHITE)
- ⑨ PR PREFORMED PLASTIC PAVEMENT MARKING, TYPE B (INLAID), LETTERS & SYMBOLS (SOLID WHITE)
- ▷ PR RAISED REFLECTIVE PAVEMENT MARKER, ONE-WAY, WHITE
- ◄ PR RAISED REFLECTIVE PAVEMENT MARKER, ONE-WAY, AMBER



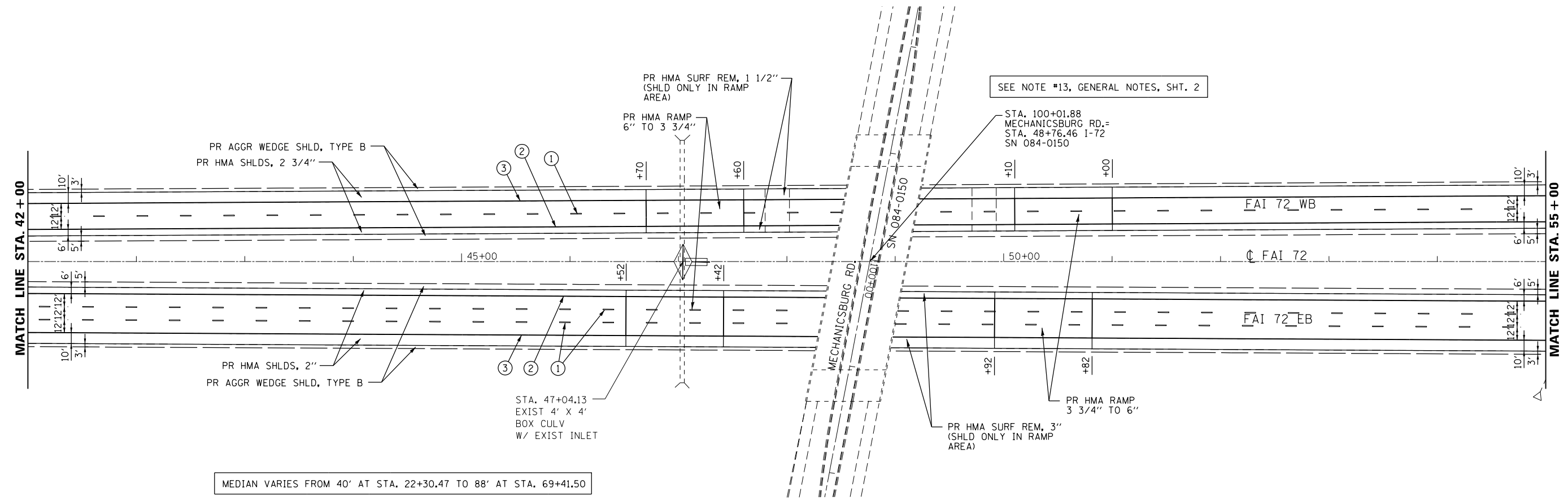
USER NAME = sparksgw	DESIGNED - BTM	REVISED -
PLOT SCALE = 100.0000' / in.	DRAWN - BTM	REVISED -
PLOT DATE = Sep-06-2013 07:50:56AM	CHECKED - JSA	REVISED -
	DATE - 12/19/12	REVISED -

STATE OF ILLINOIS
 DEPARTMENT OF TRANSPORTATION

PLAN SHEETS

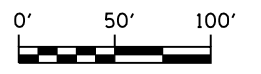
SCALE:	SHEET NO.	OF SHEETS	STA.	TO STA.
--------	-----------	-----------	------	---------

F.A.I. RTE.	SECTION	COUNTY	TOTAL SHEETS	SHEET NO.
I-72	*	SANGAMON	194	30
* (84-10-1)RS-3, (84-10-2)RS-4			CONTRACT NO. 72C90	
ILLINOIS FED. AID PROJECT				

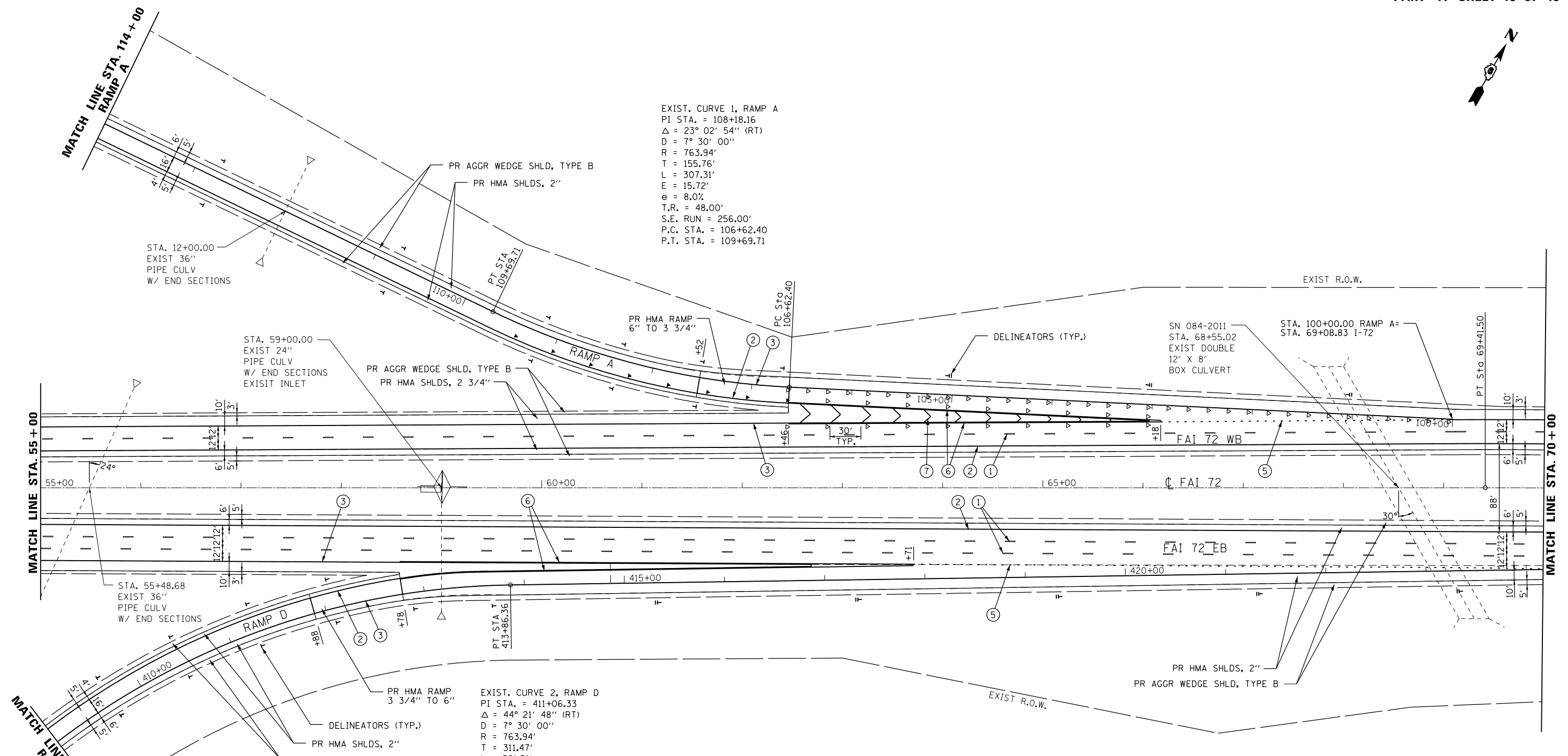
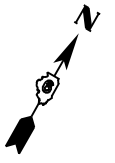


PAVEMENT MARKING LEGEND

- ① PR PREFORMED PLASTIC PAVEMENT MARKING, TYPE B (INLAID), LINE 5" (30' SKIP, 10' DASH)
- ② PR URETHANE PAVEMENT MARKING, LINE 5" (SOLID YELLOW)
- ③ PR URETHANE PAVEMENT MARKING, LINE 5" (SOLID WHITE)
- ④ PR URETHANE PAVEMENT MARKING, LINE 6" (SOLID WHITE)
- ⑤ PR URETHANE PAVEMENT MARKING, LINE 6" (6' SKIP, 2' DASH)
- ⑥ PR PREFORMED PLASTIC PAVEMENT MARKING, TYPE B (INLAID), LINE 8" (SOLID WHITE)
- ⑦ PR PREFORMED PLASTIC PAVEMENT MARKING, TYPE B (INLAID), LINE 12" (SOLID WHITE)
- ⑧ PR PREFORMED PLASTIC PAVEMENT MARKING, TYPE B (INLAID), LINE 24" (SOLID WHITE)
- ⑨ PR PREFORMED PLASTIC PAVEMENT MARKING, TYPE B (INLAID), LETTERS & SYMBOLS (SOLID WHITE)
- ▷ PR RAISED REFLECTIVE PAVEMENT MARKER, ONE-WAY, WHITE
- ◀ PR RAISED REFLECTIVE PAVEMENT MARKER, ONE-WAY, AMBER



	USER NAME = sparksgw	DESIGNED - BTM	REVISED -	STATE OF ILLINOIS DEPARTMENT OF TRANSPORTATION	PLAN SHEETS				F.A.I. RTE.	SECTION	COUNTY	TOTAL SHEETS	SHEET NO.
		DRAWN - BTM	REVISED -						I-72	*	SANGAMON	194	31
	PLOT SCALE = 100.0000' / in.	CHECKED - JSA	REVISED -						* (84-10-1)RS-3, (84-10-2)RS-4		CONTRACT NO. 72C90		
	PLOT DATE = Sep-06-2013 07:51:34AM	DATE - 12/19/12	REVISED -						ILLINOIS FED. AID PROJECT				
				SCALE: SHEET NO. OF SHEETS STA. TO STA.									



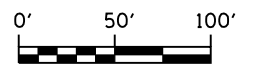
EXIST. CURVE 1, RAMP A
 PI STA. = 108+18.16
 $\Delta = 23^\circ 02' 54''$ (RT)
 $D = 7^\circ 30' 00''$
 $R = 763.94'$
 $T = 155.76'$
 $L = 307.31'$
 $E = 15.72'$
 $e = 8.0\%$
 $T.R. = 48.00'$
 $S.E. RUN = 256.00'$
 $P.C. STA. = 106+62.40$
 $P.T. STA. = 109+69.71$

EXIST. CURVE 2, RAMP D
 PI STA. = 411+06.33
 $\Delta = 44^\circ 21' 48''$ (RT)
 $D = 7^\circ 30' 00''$
 $R = 763.94'$
 $T = 311.47'$
 $L = 591.51'$
 $E = 61.06'$
 $e = 8.0\%$
 $T.R. = 48.00'$
 $S.E. RUN = 256.00'$
 $P.C. STA. = 407+94.85$
 $P.T. STA. = 413+86.36$

MEDIAN VARIES FROM 40' AT STA. 22+30.47 TO 88' AT STA. 69+41.50

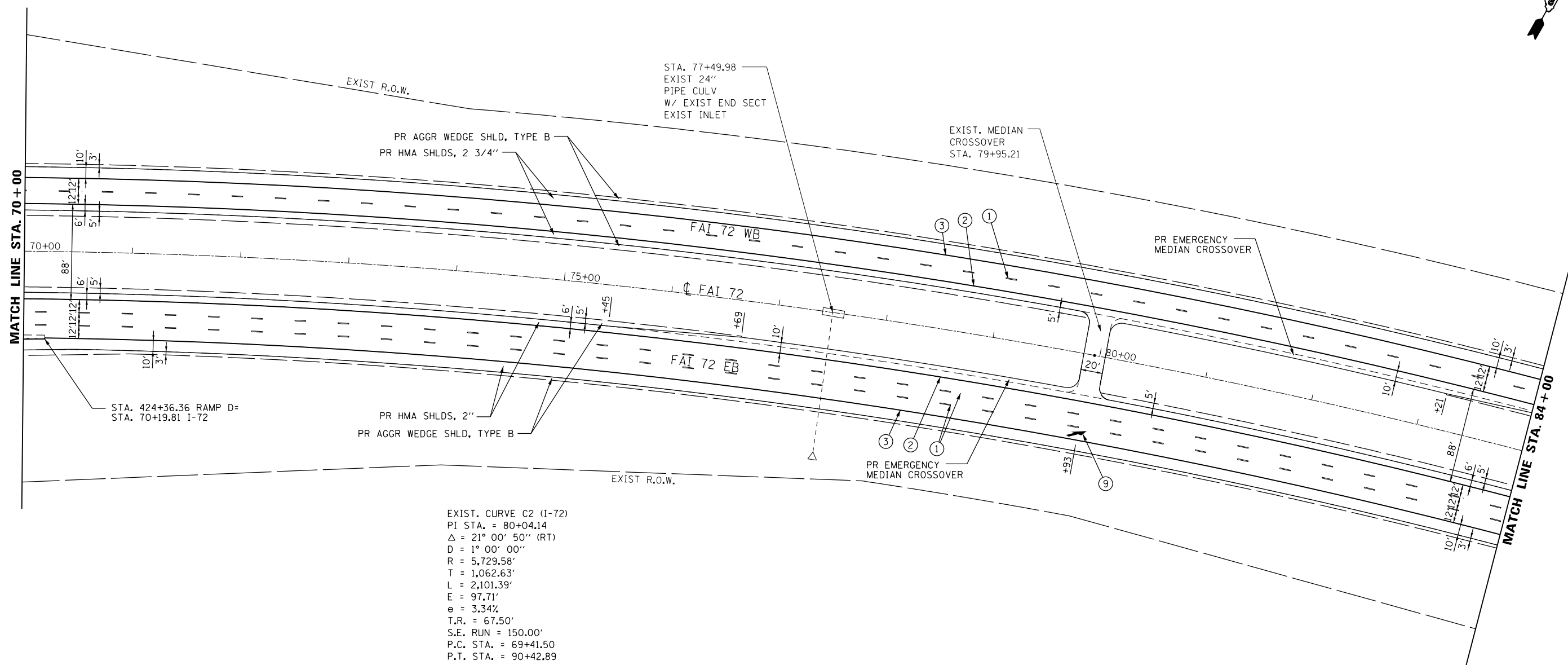
PAVEMENT MARKING LEGEND

- ① PR PREFORMED PLASTIC PAVEMENT MARKING, TYPE B (INLAID), LINE 5" (30' SKIP, 10' DASH)
- ② PR URETHANE PAVEMENT MARKING, LINE 5" (SOLID YELLOW)
- ③ PR URETHANE PAVEMENT MARKING, LINE 5" (SOLID WHITE)
- ④ PR URETHANE PAVEMENT MARKING, LINE 6" (SOLID WHITE)
- ⑤ PR URETHANE PAVEMENT MARKING, LINE 6" (6' SKIP, 2' DASH)
- ⑥ PR PREFORMED PLASTIC PAVEMENT MARKING, TYPE B (INLAID), LINE 8" (SOLID WHITE)
- ⑦ PR PREFORMED PLASTIC PAVEMENT MARKING, TYPE B (INLAID), LINE 12" (SOLID WHITE)
- ⑧ PR PREFORMED PLASTIC PAVEMENT MARKING, TYPE B (INLAID), LINE 24" (SOLID WHITE)
- ⑨ PR PREFORMED PLASTIC PAVEMENT MARKING, TYPE B (INLAID), LETTERS & SYMBOLS (SOLID WHITE)
- ▷ PR RAISED REFLECTIVE PAVEMENT MARKER, ONE-WAY, WHITE
- ◀ PR RAISED REFLECTIVE PAVEMENT MARKER, ONE-WAY, AMBER



USER NAME = sparksgw PLOT SCALE = 100.0000' / in. PLOT DATE = Sep-06-2013 07:52:04AM	DESIGNED - BTM DRAWN - BTM CHECKED - JSA DATE - 12/19/12	REVISED - REVISED - REVISED - REVISED -	STATE OF ILLINOIS DEPARTMENT OF TRANSPORTATION	PLAN SHEETS	F.A.I. RTE. I-72 SECTION * COUNTY SANGAMON TOTAL SHEETS 194 SHEET NO. 32 * (84-10-1)RS-3, (84-10-2)RS-4 ILLINOIS FED. AID PROJECT
SCALE: SHEET NO. OF SHEETS STA. TO STA.					

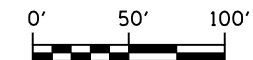
FILE NAME = c:\pw\work\pwt\dot\sparksgw\d0330228\0672C90_sht.plan04.dgn



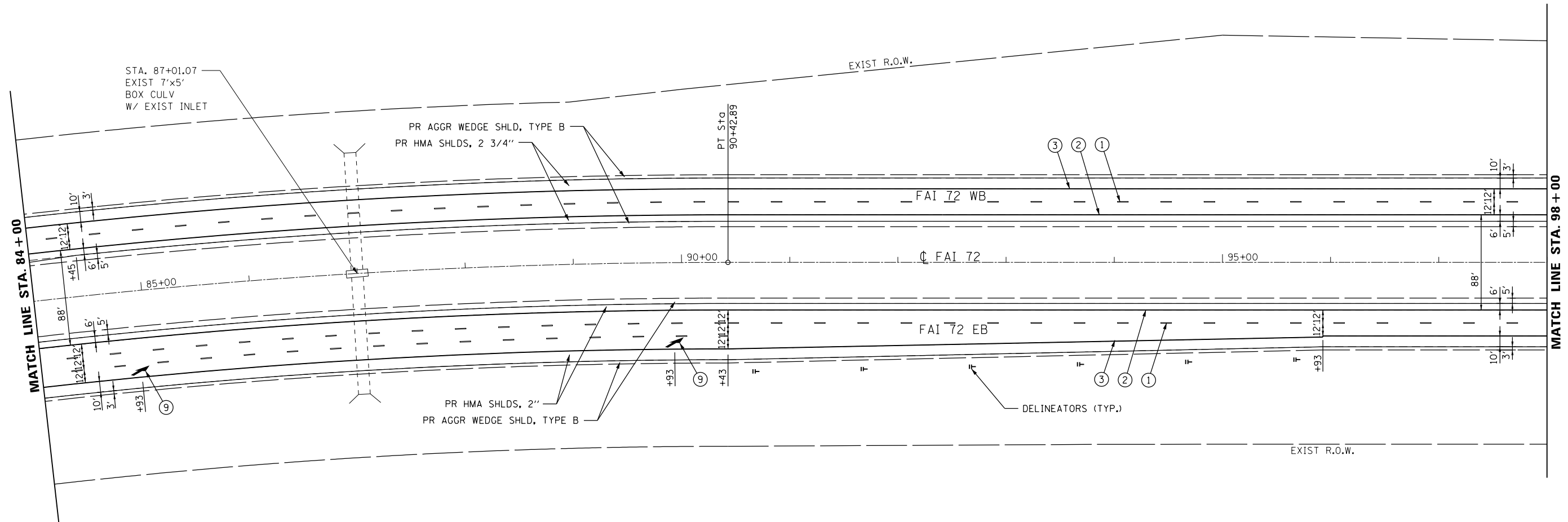
EXIST. CURVE C2 (I-72)
 PI STA. = 80+04.14
 $\Delta = 21^\circ 00' 50''$ (RT)
 $D = 1^\circ 00' 00''$
 $R = 5,729.58'$
 $T = 1,062.63'$
 $L = 2,101.39'$
 $E = 97.71'$
 $e = 3.34\%$
 $T.R. = 67.50'$
 $S.E. RUN = 150.00'$
 $P.C. STA. = 69+41.50$
 $P.T. STA. = 90+42.89$

PAVEMENT MARKING LEGEND

- ① PR PREFORMED PLASTIC PAVEMENT MARKING, TYPE B (INLAID), LINE 5" (30' SKIP, 10' DASH)
- ② PR URETHANE PAVEMENT MARKING, LINE 5" (SOLID YELLOW)
- ③ PR URETHANE PAVEMENT MARKING, LINE 5" (SOLID WHITE)
- ④ PR URETHANE PAVEMENT MARKING, LINE 6" (SOLID WHITE)
- ⑤ PR URETHANE PAVEMENT MARKING, LINE 6" (6' SKIP, 2' DASH)
- ⑥ PR PREFORMED PLASTIC PAVEMENT MARKING, TYPE B (INLAID), LINE 8" (SOLID WHITE)
- ⑦ PR PREFORMED PLASTIC PAVEMENT MARKING, TYPE B (INLAID), LINE 12" (SOLID WHITE)
- ⑧ PR PREFORMED PLASTIC PAVEMENT MARKING, TYPE B (INLAID), LINE 24" (SOLID WHITE)
- ⑨ PR PREFORMED PLASTIC PAVEMENT MARKING, TYPE B (INLAID), LETTERS & SYMBOLS (SOLID WHITE)
- ▷ PR RAISED REFLECTIVE PAVEMENT MARKER, ONE-WAY, WHITE
- ◀ PR RAISED REFLECTIVE PAVEMENT MARKER, ONE-WAY, AMBER



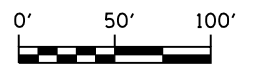
USER NAME = sparksgw PLOT SCALE = 100.0000' / in. PLOT DATE = Sep-06-2013 07:52:33AM	DESIGNED - BTM	REVISED -	STATE OF ILLINOIS DEPARTMENT OF TRANSPORTATION	PLAN SHEETS			F.A.I. RTE. I-72	SECTION *	COUNTY SANGAMON	TOTAL SHEETS 194	SHEET NO. 33
	DRAWN - BTM	REVISED -		SCALE:	SHEET NO. OF SHEETS	STA. TO STA.	* (84-10-1)RS-3, (84-10-2)RS-4 ILLINOIS FED. AID PROJECT				
CHECKED - JSA DATE - 12/19/12	REVISED - REVISED - REVISED -	CONTRACT NO. 72C90									



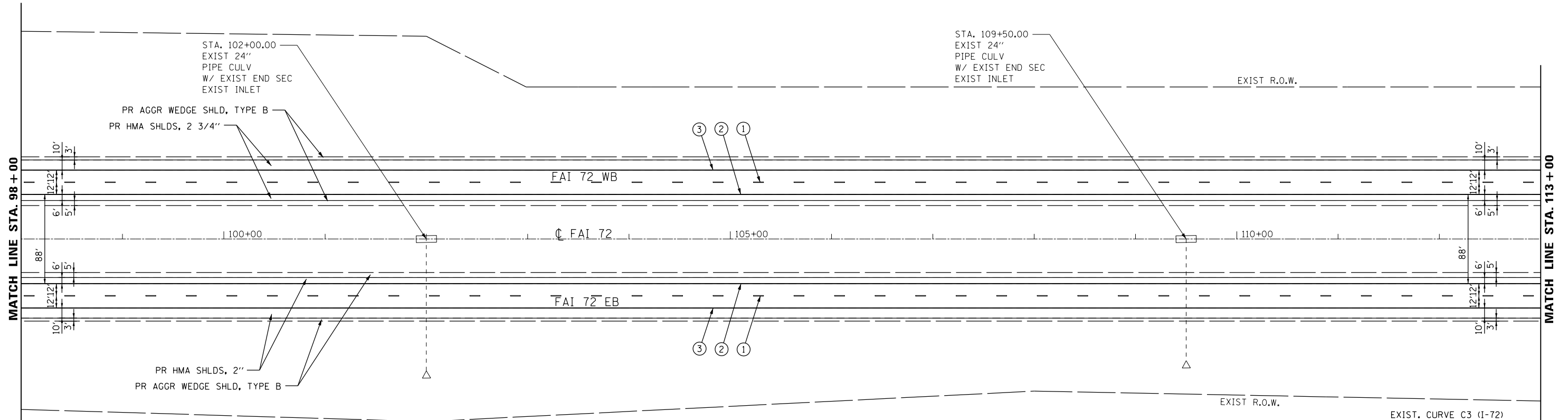
EXIST. CURVE C2 (I-72)
 PI STA. = 80+04.14
 $\Delta = 21^\circ 00' 50''$ (RT)
 $D = 1^\circ 00' 00''$
 $R = 5,729.58'$
 $T = 1,062.63'$
 $L = 2,101.39'$
 $E = 97.71'$
 $e = 3.34\%$
 $T.R. = 67.50'$
 $S.E. RUN = 150.00'$
 $P.C. STA. = 69+41.50$
 $P.T. STA. = 90+42.89$

PAVEMENT MARKING LEGEND

- ① PR PREFORMED PLASTIC PAVEMENT MARKING, TYPE B (INLAID), LINE 5" (30' SKIP, 10' DASH)
- ② PR URETHANE PAVEMENT MARKING, LINE 5" (SOLID YELLOW)
- ③ PR URETHANE PAVEMENT MARKING, LINE 5" (SOLID WHITE)
- ④ PR URETHANE PAVEMENT MARKING, LINE 6" (SOLID WHITE)
- ⑤ PR URETHANE PAVEMENT MARKING, LINE 6" (6' SKIP, 2' DASH)
- ⑥ PR PREFORMED PLASTIC PAVEMENT MARKING, TYPE B (INLAID), LINE 8" (SOLID WHITE)
- ⑦ PR PREFORMED PLASTIC PAVEMENT MARKING, TYPE B (INLAID), LINE 12" (SOLID WHITE)
- ⑧ PR PREFORMED PLASTIC PAVEMENT MARKING, TYPE B (INLAID), LINE 24" (SOLID WHITE)
- ⑨ PR PREFORMED PLASTIC PAVEMENT MARKING, TYPE B (INLAID), LETTERS & SYMBOLS (SOLID WHITE)
- ▽ PR RAISED REFLECTIVE PAVEMENT MARKER, ONE-WAY, WHITE
- ◀ PR RAISED REFLECTIVE PAVEMENT MARKER, ONE-WAY, AMBER



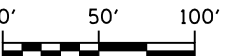
USER NAME = sparksgw PLOT SCALE = 100.0000' / in. PLOT DATE = Sep-06-2013 07:53:01AM	DESIGNED - BTM DRAWN - BTM	REVISED - REVISED -	STATE OF ILLINOIS DEPARTMENT OF TRANSPORTATION	PLAN SHEETS			F.A.I. RTE. I-72 SECTION * COUNTY SANGAMON TOTAL SHEETS 194 SHEET NO. 34
	CHECKED - JSA DATE - 12/19/12	REVISED - REVISED -		SCALE:	SHEET NO. OF SHEETS STA. TO STA.	* (84-10-1)RS-3, (84-10-2)RS-4 ILLINOIS FED. AID PROJECT	



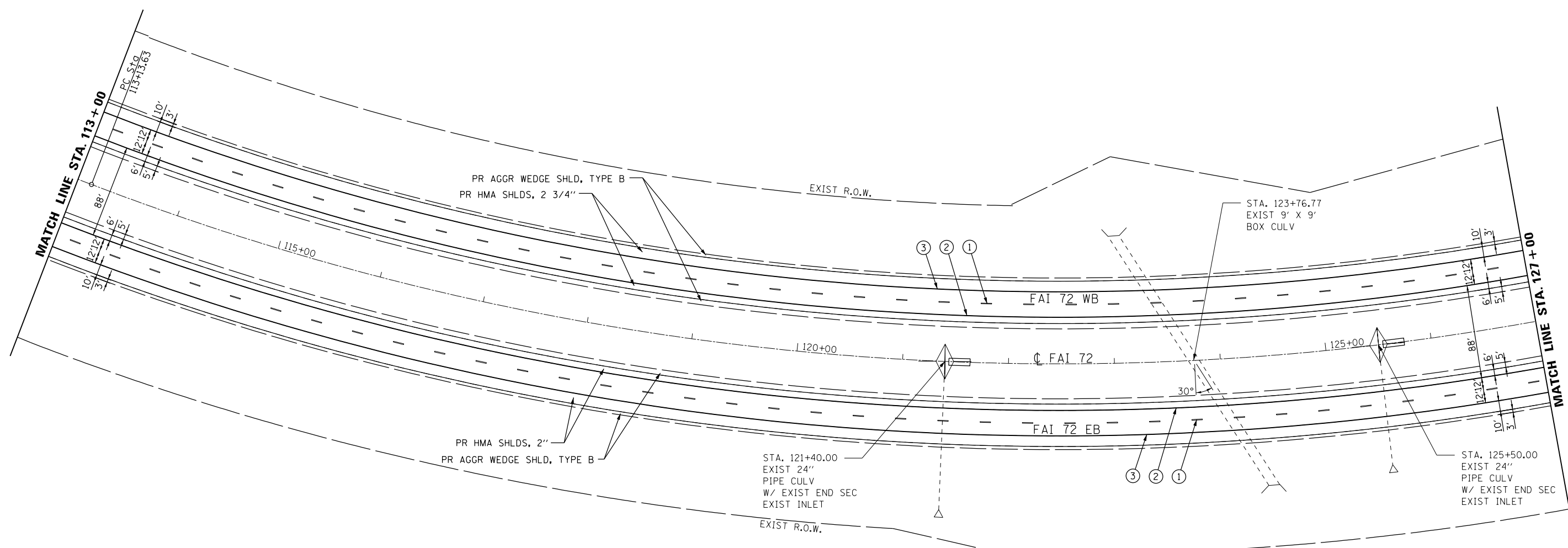
EXIST. CURVE C3 (I-72)
 PI STA. = 135+96.85
 Δ = 83° 45' 35" (LT)
 D = 2° 15' 00"
 R = 2,546.48'
 T = 2,283.21'
 L = 3,722.66'
 E = 873.70'
 e = 5.75'
 T.R. = 67.50'
 S.E. RUN = 259.00'
 P.C. STA. = 113+13.63
 P.T. STA. = 150+36.2

PAVEMENT MARKING LEGEND

- ① PR PREFORMED PLASTIC PAVEMENT MARKING, TYPE B (INLAID), LINE 5" (30' SKIP, 10' DASH)
- ② PR URETHANE PAVEMENT MARKING, LINE 5" (SOLID YELLOW)
- ③ PR URETHANE PAVEMENT MARKING, LINE 5" (SOLID WHITE)
- ④ PR URETHANE PAVEMENT MARKING, LINE 6" (SOLID WHITE)
- ⑤ PR URETHANE PAVEMENT MARKING, LINE 6" (6' SKIP, 2' DASH)
- ⑥ PR PREFORMED PLASTIC PAVEMENT MARKING, TYPE B (INLAID), LINE 8" (SOLID WHITE)
- ⑦ PR PREFORMED PLASTIC PAVEMENT MARKING, TYPE B (INLAID), LINE 12" (SOLID WHITE)
- ⑧ PR PREFORMED PLASTIC PAVEMENT MARKING, TYPE B (INLAID), LINE 24" (SOLID WHITE)
- ⑨ PR PREFORMED PLASTIC PAVEMENT MARKING, TYPE B (INLAID), LETTERS & SYMBOLS (SOLID WHITE)
- ▷ PR RAISED REFLECTIVE PAVEMENT MARKER, ONE-WAY, WHITE
- ◀ PR RAISED REFLECTIVE PAVEMENT MARKER, ONE-WAY, AMBER



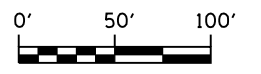
USER NAME = sparksgw PLOT SCALE = 100.0000' / in. PLOT DATE = Sep-06-2013 07:53:32AM	DESIGNED - BTM	REVISED -	STATE OF ILLINOIS DEPARTMENT OF TRANSPORTATION	PLAN SHEETS			F.A.I. RTE.	SECTION	COUNTY	TOTAL SHEETS	SHEET NO.	
	DRAWN - BTM	REVISED -		SCALE:	SHEET NO.	OF SHEETS	STA.	TO STA.	*	SANGAMON	194	35
	CHECKED - JSA	REVISED -							* (84-10-1)RS-3, (84-10-2)RS-4 ILLINOIS FED. AID PROJECT		CONTRACT NO. 72C90	
DATE - 12/19/12	REVISED -											



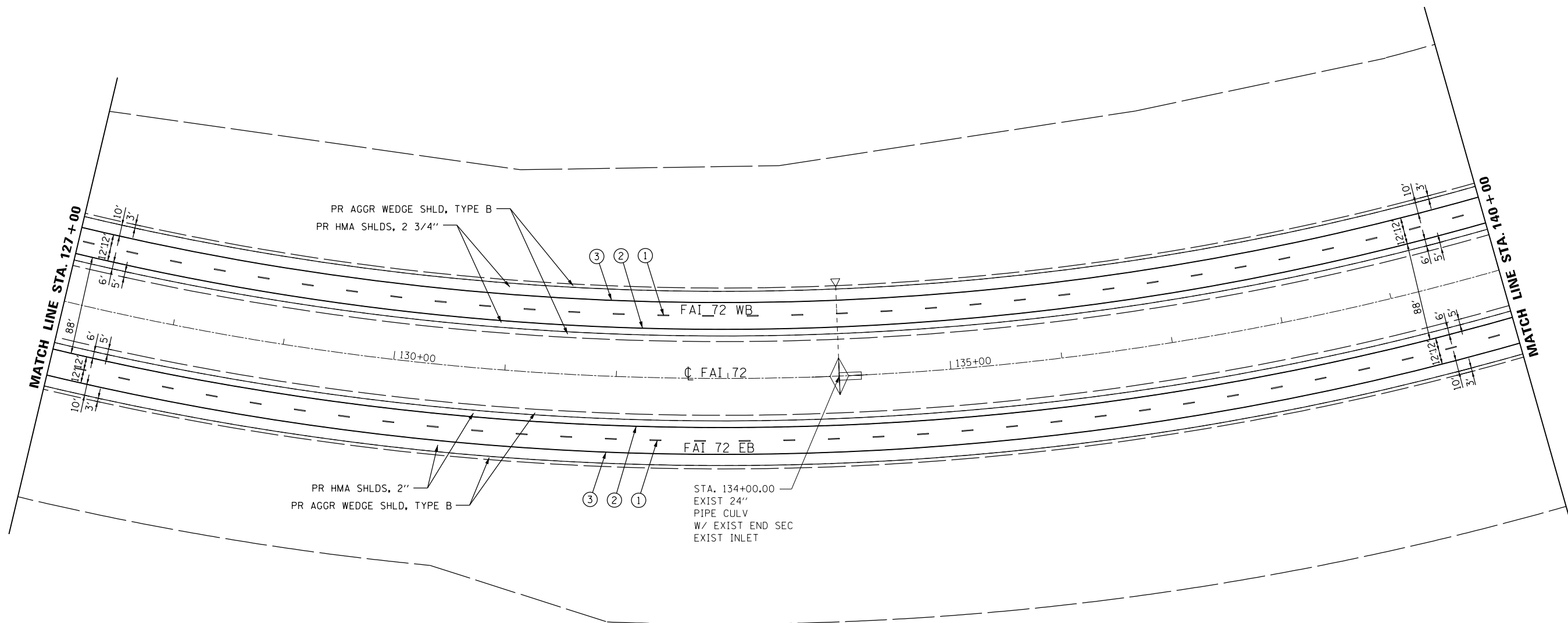
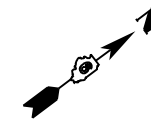
EXIST. CURVE C3 (I-72)
 PI STA. = 135+96.85
 $\Delta = 83^\circ 45' 35''$ (LT)
 $D = 2^\circ 15' 00''$
 $R = 2,546.48'$
 $T = 2,283.21'$
 $L = 3,722.66'$
 $E = 873.70'$
 $e = 5.75\%$
 $T.R. = 67.50'$
 $S.E. RUN = 259.00'$
 $P.C. STA. = 113+13.63$
 $P.T. STA. = 150+36.29$

PAVEMENT MARKING LEGEND

- ① PR PREFORMED PLASTIC PAVEMENT MARKING, TYPE B (INLAID), LINE 5" (30' SKIP, 10' DASH)
- ② PR URETHANE PAVEMENT MARKING, LINE 5" (SOLID YELLOW)
- ③ PR URETHANE PAVEMENT MARKING, LINE 5" (SOLID WHITE)
- ④ PR URETHANE PAVEMENT MARKING, LINE 6" (SOLID WHITE)
- ⑤ PR URETHANE PAVEMENT MARKING, LINE 6" (6' SKIP, 2' DASH)
- ⑥ PR PREFORMED PLASTIC PAVEMENT MARKING, TYPE B (INLAID), LINE 8" (SOLID WHITE)
- ⑦ PR PREFORMED PLASTIC PAVEMENT MARKING, TYPE B (INLAID), LINE 12" (SOLID WHITE)
- ⑧ PR PREFORMED PLASTIC PAVEMENT MARKING, TYPE B (INLAID), LINE 24" (SOLID WHITE)
- ⑨ PR PREFORMED PLASTIC PAVEMENT MARKING, TYPE B (INLAID), LETTERS & SYMBOLS (SOLID WHITE)
- ▽ PR RAISED REFLECTIVE PAVEMENT MARKER, ONE-WAY, WHITE
- ◀ PR RAISED REFLECTIVE PAVEMENT MARKER, ONE-WAY, AMBER



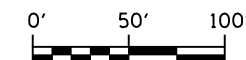
USER NAME = sparksgw DESIGNED - BTM DRAWN - BTM CHECKED - JSA DATE - 12/19/12				REVISED - REVISED - REVISED - REVISED -				STATE OF ILLINOIS DEPARTMENT OF TRANSPORTATION				PLAN SHEETS				F.A.I. RTE. I-72		SECTION *		COUNTY SANGAMON		TOTAL SHEETS 194		SHEET NO. 36	
PLOT SCALE = 100.0000' / in. PLOT DATE = Sep-06-2013 07:53:57AM												SCALE: SHEET NO. OF SHEETS STA. TO STA.				* (84-10-1)RS-3, (84-10-2)RS-4 ILLINOIS FED. AID PROJECT									



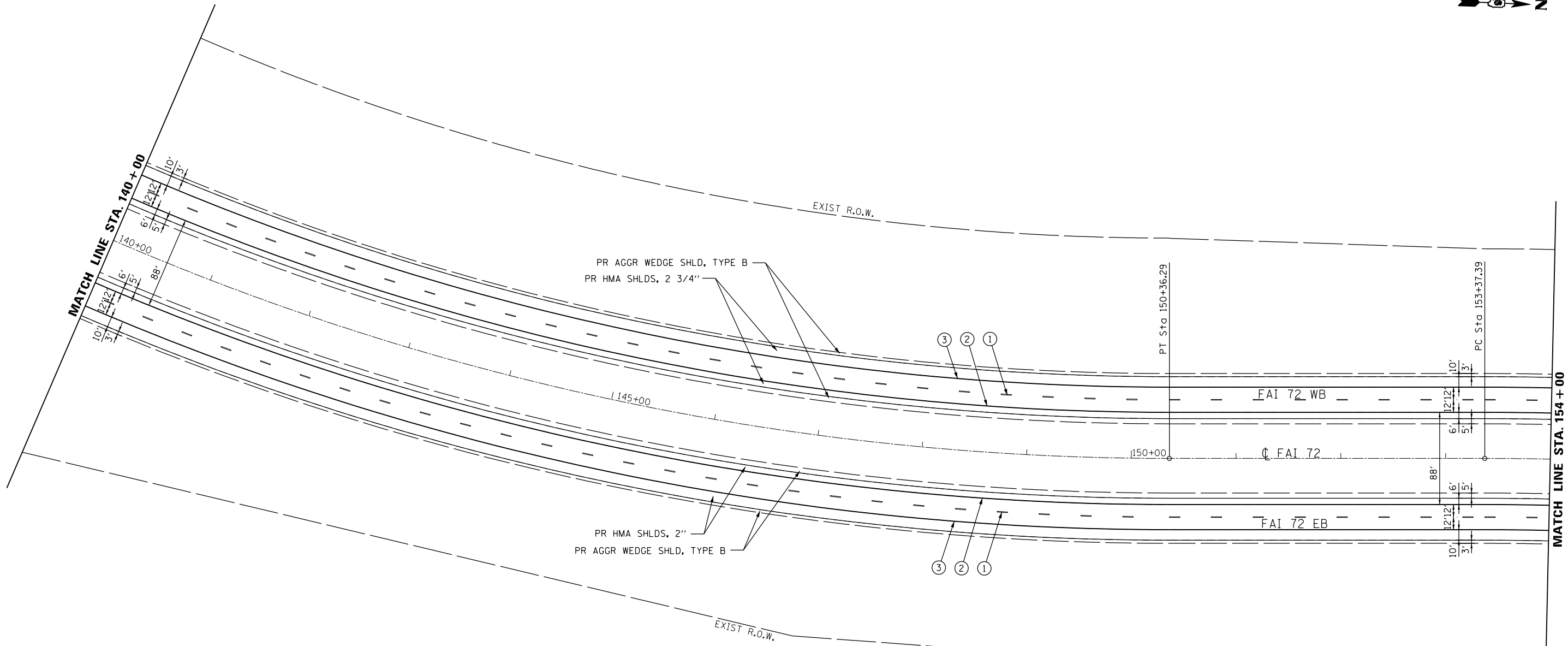
EXIST. CURVE C3 (I-72)
 PI STA. = 135+96.85
 $\Delta = 83^\circ 45' 35''$ (LT)
 $D = 2^\circ 15' 00''$
 $R = 2,546.48'$
 $T = 2,283.21'$
 $L = 3,722.66'$
 $E = 873.70'$
 $e = 5.75\%$
 $T.R. = 67.50'$
 $S.E. RUN = 259.00'$
 $P.C. STA. = 113+13.63$
 $P.T. STA. = 150+36.29$

PAVEMENT MARKING LEGEND

- ① PR PREFORMED PLASTIC PAVEMENT MARKING, TYPE B (INLAID), LINE 5" (30' SKIP, 10' DASH)
- ② PR URETHANE PAVEMENT MARKING, LINE 5" (SOLID YELLOW)
- ③ PR URETHANE PAVEMENT MARKING, LINE 5" (SOLID WHITE)
- ④ PR URETHANE PAVEMENT MARKING, LINE 6" (SOLID WHITE)
- ⑤ PR URETHANE PAVEMENT MARKING, LINE 6" (6' SKIP, 2' DASH)
- ⑥ PR PREFORMED PLASTIC PAVEMENT MARKING, TYPE B (INLAID), LINE 8" (SOLID WHITE)
- ⑦ PR PREFORMED PLASTIC PAVEMENT MARKING, TYPE B (INLAID), LINE 12" (SOLID WHITE)
- ⑧ PR PREFORMED PLASTIC PAVEMENT MARKING, TYPE B (INLAID), LINE 24" (SOLID WHITE)
- ⑨ PR PREFORMED PLASTIC PAVEMENT MARKING, TYPE B (INLAID), LETTERS & SYMBOLS (SOLID WHITE)
- ▷ PR RAISED REFLECTIVE PAVEMENT MARKER, ONE-WAY, WHITE
- ◀ PR RAISED REFLECTIVE PAVEMENT MARKER, ONE-WAY, AMBER



USER NAME = sparksgw PLOT SCALE = 100.0000' / in. PLOT DATE = Sep-06-2013 08:02:25AM	DESIGNED - BTM	REVISED -	STATE OF ILLINOIS DEPARTMENT OF TRANSPORTATION	PLAN SHEETS			F.A.I. RTE.	SECTION	COUNTY	TOTAL SHEETS	SHEET NO.
	DRAWN - BTM	REVISED -		SCALE:	SHEET NO.	OF SHEETS	STA.	TO STA.	I-72	*	SANGAMON
CHECKED - JSA DATE - 12/19/12	REVISED -	REVISED -							* (84-10-1)RS-3, (84-10-2)RS-4 ILLINOIS FED. AID PROJECT		

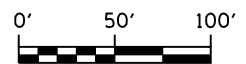


EXIST. CURVE C3 (I-72)
 PI STA. = 135+96.85
 $\Delta = 83^\circ 45' 35''$ (LT)
 $D = 2^\circ 15' 00''$
 $R = 2,546.48'$
 $T = 2,283.21'$
 $L = 3,722.66'$
 $E = 873.70'$
 $e = 5.75\%$
 $T.R. = 67.50'$
 $S.E. RUN = 259.00'$
 $P.C. STA. = 113+13.63$
 $P.T. STA. = 150+36.29$

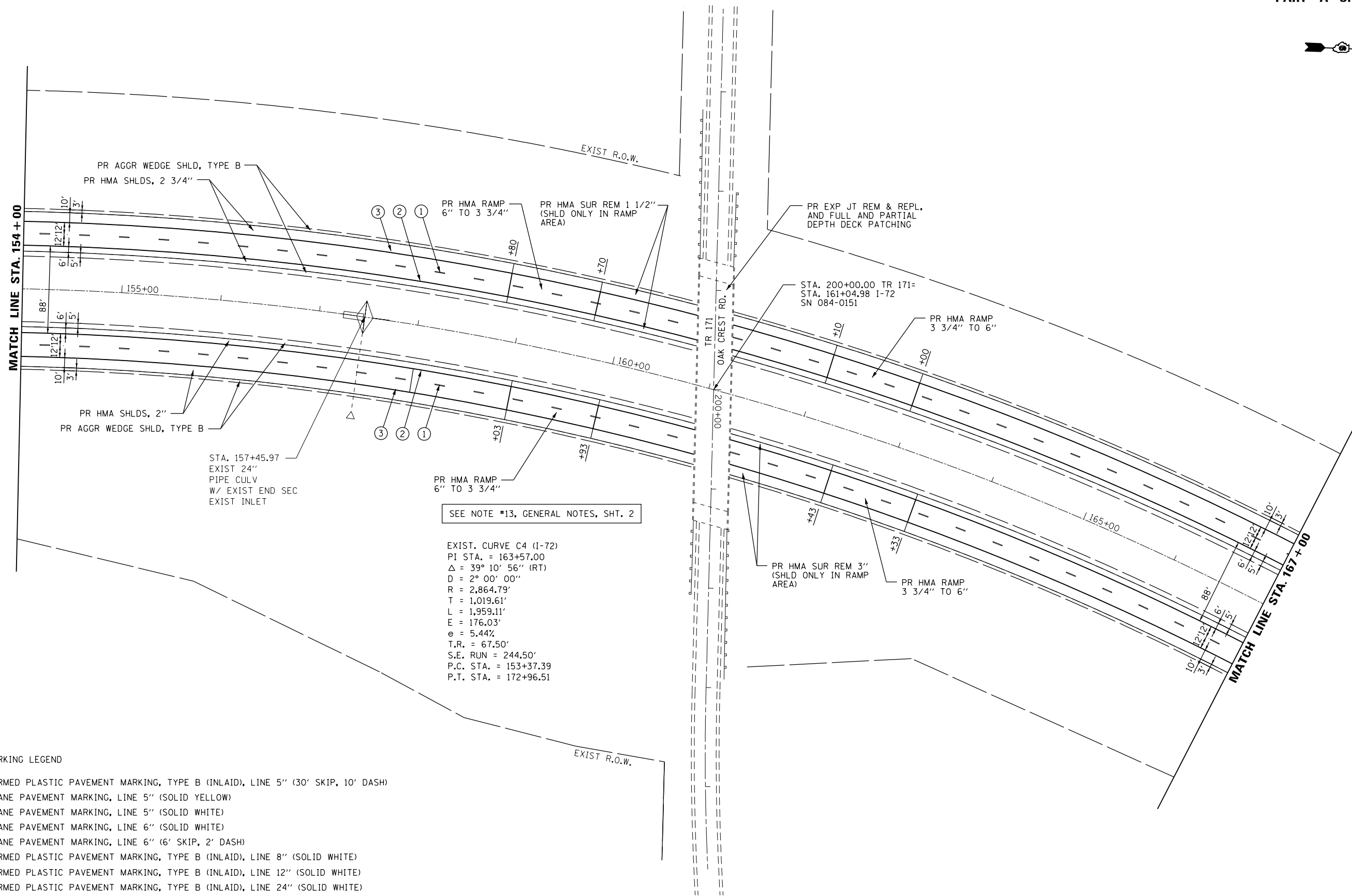
EXIST. CURVE C4 (I-72)
 PI STA. = 163+57.00
 $\Delta = 39^\circ 10' 56''$ (RT)
 $D = 2^\circ 00' 00''$
 $R = 2,864.79'$
 $T = 1,019.61'$
 $L = 1,959.11'$
 $E = 176.03'$
 $e = 5.44\%$
 $T.R. = 67.50'$
 $S.E. RUN = 244.50'$
 $P.C. STA. = 153+37.39$
 $P.T. STA. = 172+96.51$

PAVEMENT MARKING LEGEND

- ① PR PREFORMED PLASTIC PAVEMENT MARKING, TYPE B (INLAID), LINE 5" (30' SKIP, 10' DASH)
- ② PR URETHANE PAVEMENT MARKING, LINE 5" (SOLID YELLOW)
- ③ PR URETHANE PAVEMENT MARKING, LINE 5" (SOLID WHITE)
- ④ PR URETHANE PAVEMENT MARKING, LINE 6" (SOLID WHITE)
- ⑤ PR URETHANE PAVEMENT MARKING, LINE 6" (6' SKIP, 2' DASH)
- ⑥ PR PREFORMED PLASTIC PAVEMENT MARKING, TYPE B (INLAID), LINE 8" (SOLID WHITE)
- ⑦ PR PREFORMED PLASTIC PAVEMENT MARKING, TYPE B (INLAID), LINE 12" (SOLID WHITE)
- ⑧ PR PREFORMED PLASTIC PAVEMENT MARKING, TYPE B (INLAID), LINE 24" (SOLID WHITE)
- ⑨ PR PREFORMED PLASTIC PAVEMENT MARKING, TYPE B (INLAID), LETTERS & SYMBOLS (SOLID WHITE)
- ▷ PR RAISED REFLECTIVE PAVEMENT MARKER, ONE-WAY, WHITE
- ◀ PR RAISED REFLECTIVE PAVEMENT MARKER, ONE-WAY, AMBER



	USER NAME = sparksgw	DESIGNED - BTM	REVISED -	STATE OF ILLINOIS DEPARTMENT OF TRANSPORTATION	PLAN SHEETS				F.A.I. RTE.	SECTION	COUNTY	TOTAL SHEETS	SHEET NO.	
	PLOT SCALE = 100.0000' / in.	DRAWN - BTM	REVISED -		SCALE:	SHEET NO.	OF SHEETS	STA.	TO STA.	*	*	SANGAMON	194	38
	PLOT DATE = Sep-06-2013 08:04:18AM	CHECKED - JSA	REVISED -							* (84-10-1)RS-3, (84-10-2)RS-4	ILLINOIS	FED. AID PROJECT	CONTRACT NO. 72C90	
		DATE - 12/19/12	REVISED -											

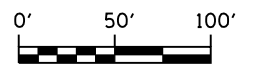


SEE NOTE #13, GENERAL NOTES, SHT. 2

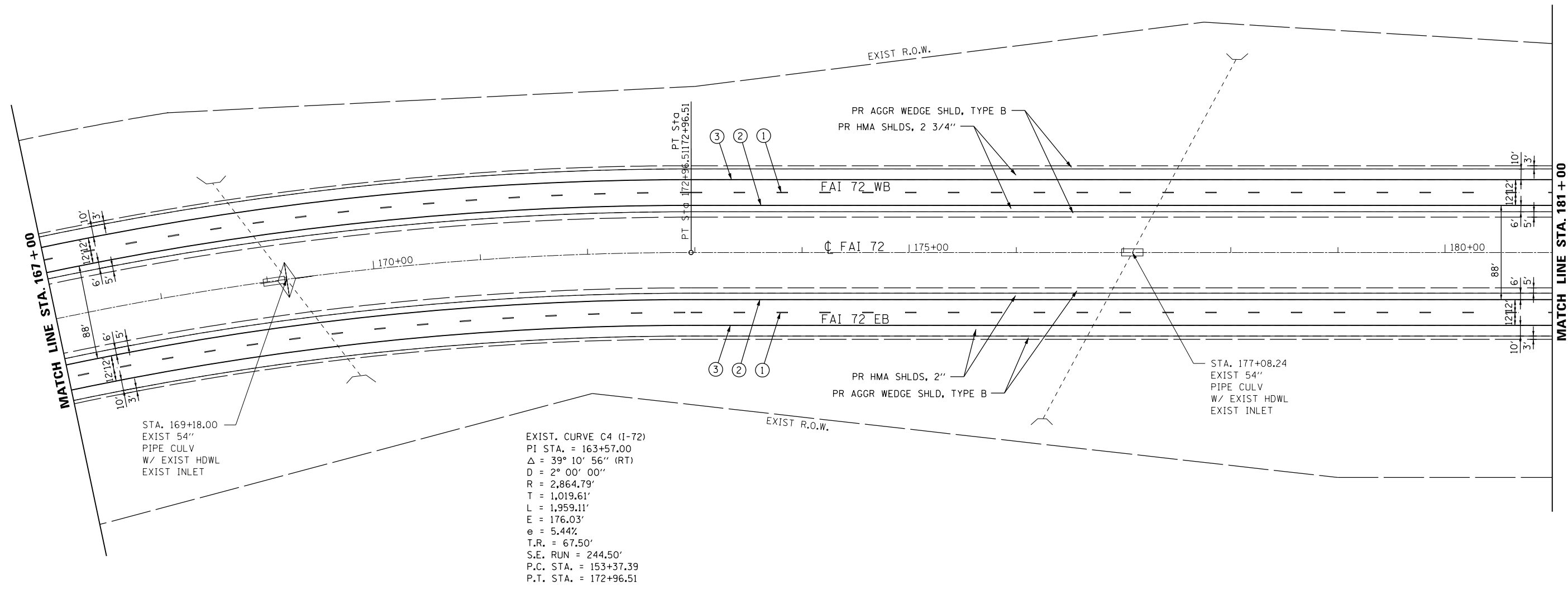
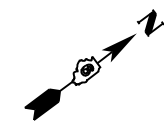
EXIST. CURVE C4 (I-72)
 PI STA. = 163+57.00
 $\Delta = 39^\circ 10' 56''$ (RT)
 $D = 2^\circ 00' 00''$
 $R = 2,864.79'$
 $T = 1,019.61'$
 $L = 1,959.11'$
 $E = 176.03'$
 $e = 5.44\%$
 $T.R. = 67.50'$
 $S.E. RUN = 244.50'$
 $P.C. STA. = 153+37.39$
 $P.T. STA. = 172+96.51$

PAVEMENT MARKING LEGEND

- ① PR PREFORMED PLASTIC PAVEMENT MARKING, TYPE B (INLAID), LINE 5" (30' SKIP, 10' DASH)
- ② PR URETHANE PAVEMENT MARKING, LINE 5" (SOLID YELLOW)
- ③ PR URETHANE PAVEMENT MARKING, LINE 5" (SOLID WHITE)
- ④ PR URETHANE PAVEMENT MARKING, LINE 6" (SOLID WHITE)
- ⑤ PR URETHANE PAVEMENT MARKING, LINE 6" (6' SKIP, 2' DASH)
- ⑥ PR PREFORMED PLASTIC PAVEMENT MARKING, TYPE B (INLAID), LINE 8" (SOLID WHITE)
- ⑦ PR PREFORMED PLASTIC PAVEMENT MARKING, TYPE B (INLAID), LINE 12" (SOLID WHITE)
- ⑧ PR PREFORMED PLASTIC PAVEMENT MARKING, TYPE B (INLAID), LINE 24" (SOLID WHITE)
- ⑨ PR PREFORMED PLASTIC PAVEMENT MARKING, TYPE B (INLAID), LETTERS & SYMBOLS (SOLID WHITE)
- ▷ PR RAISED REFLECTIVE PAVEMENT MARKER, ONE-WAY, WHITE
- ◀ PR RAISED REFLECTIVE PAVEMENT MARKER, ONE-WAY, AMBER



USER NAME = sparksgw DESIGNED - BTM DRAWN - BTM CHECKED - JSA DATE - 12/19/12				REVISED - REVISED - REVISED - REVISED -				STATE OF ILLINOIS DEPARTMENT OF TRANSPORTATION				PLAN SHEETS				F.A.I. RTE. SECTION COUNTY TOTAL SHEETS SHEET NO. I-72 * SANGAMON 194 39	
PLOT SCALE = 100.0000' / in. PLOT DATE = Sep-06-2013 08:13:36AM								SCALE: SHEET NO. OF SHEETS STA. TO STA.				* (84-10-1)RS-3, (84-10-2)RS-4 ILLINOIS FED. AID PROJECT					



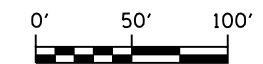
STA. 169+18.00
EXIST 54"
PIPE CULV
W/ EXIST HDWL
EXIST INLET

EXIST. CURVE C4 (I-72)
PI STA. = 163+57.00
Δ = 39° 10' 56" (RT)
D = 2° 00' 00"
R = 2,864.79'
T = 1,019.61'
L = 1,959.11'
E = 176.03'
e = 5.44%
T.R. = 67.50'
S.E. RUN = 244.50'
P.C. STA. = 153+37.39
P.T. STA. = 172+96.51

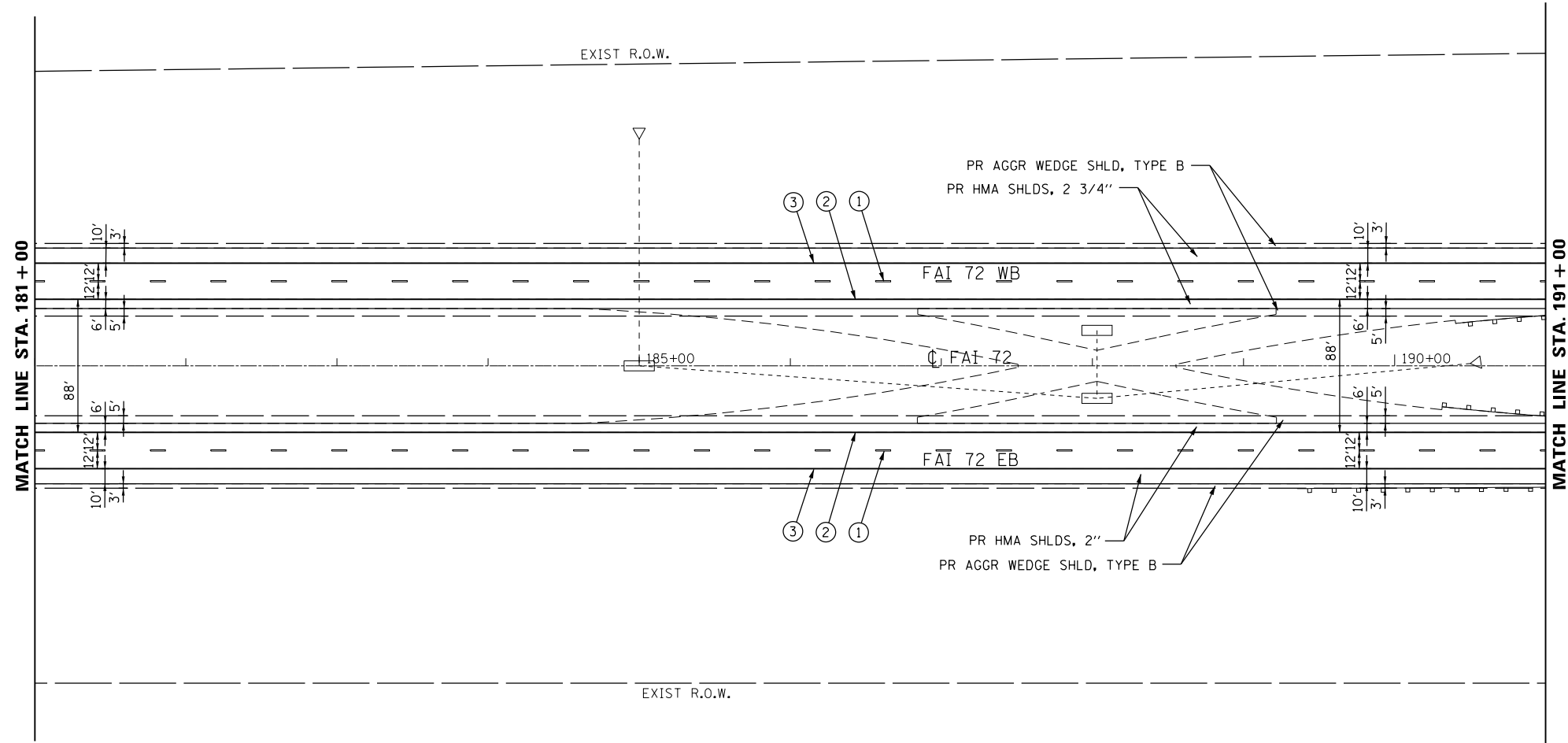
STA. 177+08.24
EXIST 54"
PIPE CULV
W/ EXIST HDWL
EXIST INLET

PAVEMENT MARKING LEGEND

- ① PR PREFORMED PLASTIC PAVEMENT MARKING, TYPE B (INLAID), LINE 5" (30' SKIP, 10' DASH)
- ② PR URETHANE PAVEMENT MARKING, LINE 5" (SOLID YELLOW)
- ③ PR URETHANE PAVEMENT MARKING, LINE 5" (SOLID WHITE)
- ④ PR URETHANE PAVEMENT MARKING, LINE 6" (SOLID WHITE)
- ⑤ PR URETHANE PAVEMENT MARKING, LINE 6" (6' SKIP, 2' DASH)
- ⑥ PR PREFORMED PLASTIC PAVEMENT MARKING, TYPE B (INLAID), LINE 8" (SOLID WHITE)
- ⑦ PR PREFORMED PLASTIC PAVEMENT MARKING, TYPE B (INLAID), LINE 12" (SOLID WHITE)
- ⑧ PR PREFORMED PLASTIC PAVEMENT MARKING, TYPE B (INLAID), LINE 24" (SOLID WHITE)
- ⑨ PR PREFORMED PLASTIC PAVEMENT MARKING, TYPE B (INLAID), LETTERS & SYMBOLS (SOLID WHITE)
- ▷ PR RAISED REFLECTIVE PAVEMENT MARKER, ONE-WAY, WHITE
- ◀ PR RAISED REFLECTIVE PAVEMENT MARKER, ONE-WAY, AMBER

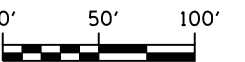


	USER NAME = sparksgw	DESIGNED - BTM	REVISED -	STATE OF ILLINOIS DEPARTMENT OF TRANSPORTATION	PLAN SHEETS				F.A.I. RTE. I-72	SECTION *	COUNTY SANGAMON	TOTAL SHEETS 194	SHEET NO. 40
	PLOT SCALE = 100.0000' / in.	CHECKED - JSA	REVISED -		SCALE:	SHEET NO.	OF SHEETS	STA.	TO STA.	* (84-10-1)RS-3, (84-10-2)RS-4			
	PLOT DATE = Sep-06-2013 08:14:06AM	DATE - 12/19/12	REVISED -		CONTRACT NO. 72C90								
ILLINOIS FED. AID PROJECT													

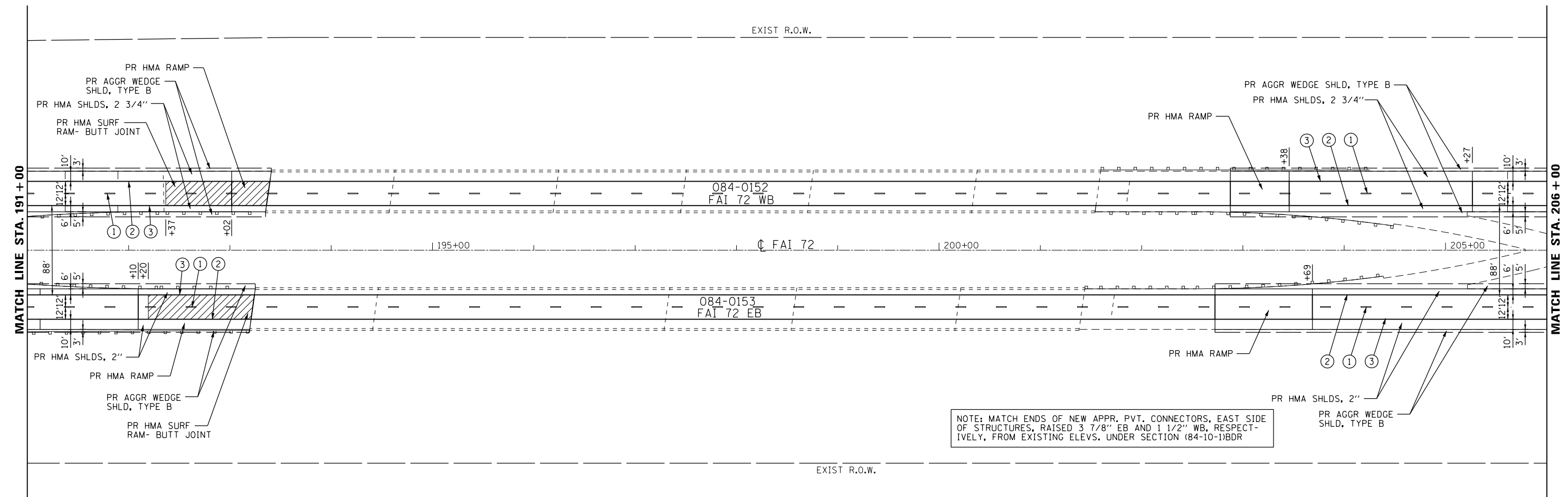
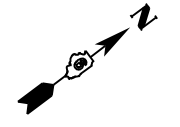


PAVEMENT MARKING LEGEND

- ① PR PREFORMED PLASTIC PAVEMENT MARKING, TYPE B (INLAID), LINE 5" (30' SKIP, 10' DASH)
- ② PR URETHANE PAVEMENT MARKING, LINE 5" (SOLID YELLOW)
- ③ PR URETHANE PAVEMENT MARKING, LINE 5" (SOLID WHITE)
- ④ PR URETHANE PAVEMENT MARKING, LINE 6" (SOLID WHITE)
- ⑤ PR URETHANE PAVEMENT MARKING, LINE 6" (6' SKIP, 2' DASH)
- ⑥ PR PREFORMED PLASTIC PAVEMENT MARKING, TYPE B (INLAID), LINE 8" (SOLID WHITE)
- ⑦ PR PREFORMED PLASTIC PAVEMENT MARKING, TYPE B (INLAID), LINE 12" (SOLID WHITE)
- ⑧ PR PREFORMED PLASTIC PAVEMENT MARKING, TYPE B (INLAID), LINE 24" (SOLID WHITE)
- ⑨ PR PREFORMED PLASTIC PAVEMENT MARKING, TYPE B (INLAID), LETTERS & SYMBOLS (SOLID WHITE)
- ▷ PR RAISED REFLECTIVE PAVEMENT MARKER, ONE-WAY, WHITE
- ◀ PR RAISED REFLECTIVE PAVEMENT MARKER, ONE-WAY, AMBER

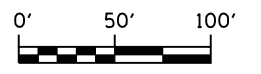


	USER NAME = sparksgw	DESIGNED - BTM	REVISED -	STATE OF ILLINOIS DEPARTMENT OF TRANSPORTATION	PLAN SHEETS				F.A.I. RTE.	SECTION	COUNTY	TOTAL SHEETS	SHEET NO.	
		DRAWN - BTM	REVISED -		SCALE:	SHEET NO.	OF SHEETS	STA.	TO STA.	I-72	*	SANGAMON	194	41
	PLOT SCALE = 100.0000' / in.	CHECKED - JSA	REVISED -							* (84-10-1)RS-3, (84-10-2)RS-4		CONTRACT NO. 72C90		
	PLOT DATE = Sep-06-2013 08:14:43AM	DATE - 12/19/12	REVISED -							ILLINOIS FED. AID PROJECT				

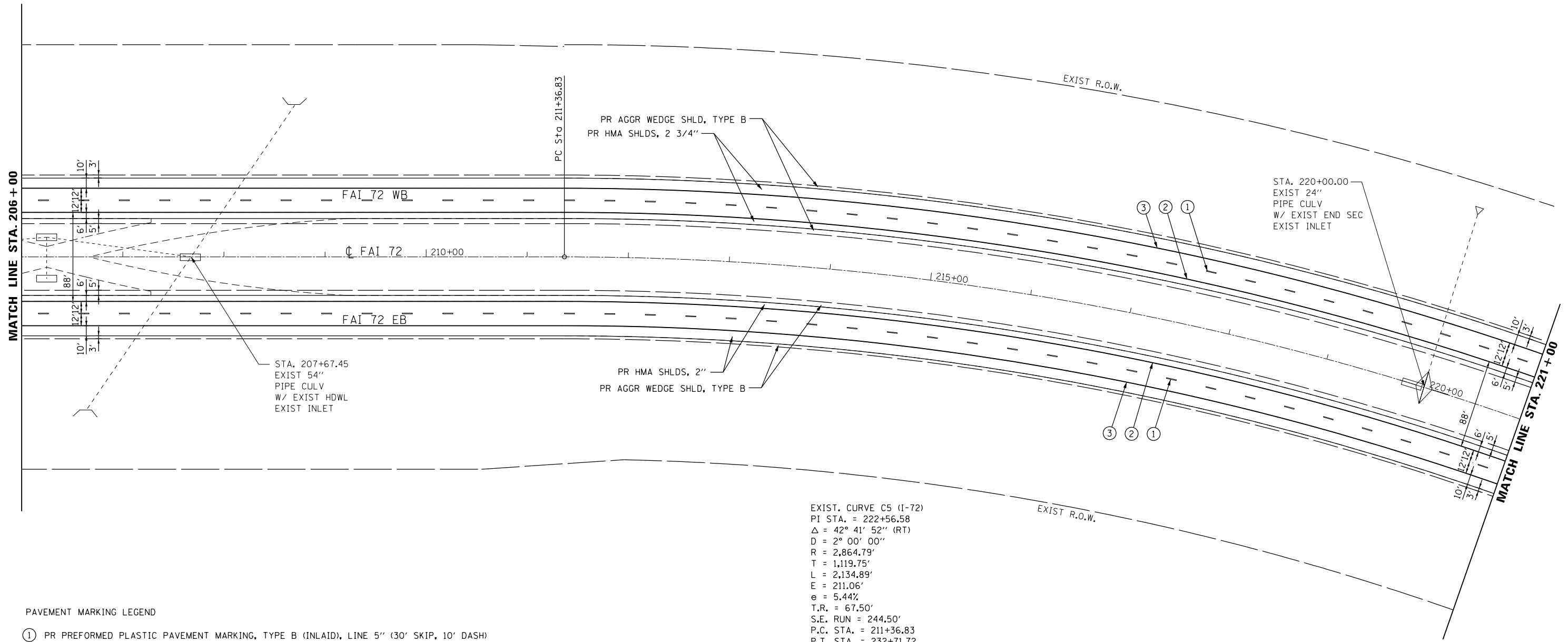
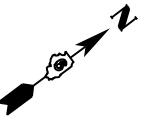


PAVEMENT MARKING LEGEND

- ① PR PREFORMED PLASTIC PAVEMENT MARKING, TYPE B (INLAID), LINE 5" (30' SKIP, 10' DASH)
- ② PR URETHANE PAVEMENT MARKING, LINE 5" (SOLID YELLOW)
- ③ PR URETHANE PAVEMENT MARKING, LINE 5" (SOLID WHITE)
- ④ PR URETHANE PAVEMENT MARKING, LINE 6" (SOLID WHITE)
- ⑤ PR URETHANE PAVEMENT MARKING, LINE 6" (6' SKIP, 2' DASH)
- ⑥ PR PREFORMED PLASTIC PAVEMENT MARKING, TYPE B (INLAID), LINE 8" (SOLID WHITE)
- ⑦ PR PREFORMED PLASTIC PAVEMENT MARKING, TYPE B (INLAID), LINE 12" (SOLID WHITE)
- ⑧ PR PREFORMED PLASTIC PAVEMENT MARKING, TYPE B (INLAID), LINE 24" (SOLID WHITE)
- ⑨ PR PREFORMED PLASTIC PAVEMENT MARKING, TYPE B (INLAID), LETTERS & SYMBOLS (SOLID WHITE)
- ▽ PR RAISED REFLECTIVE PAVEMENT MARKER, ONE-WAY, WHITE
- ◀ PR RAISED REFLECTIVE PAVEMENT MARKER, ONE-WAY, AMBER



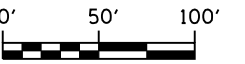
	USER NAME = sparksgw	DESIGNED - BTM	REVISED -	STATE OF ILLINOIS DEPARTMENT OF TRANSPORTATION	PLAN SHEETS				F.A.I. RTE.	SECTION	COUNTY	TOTAL SHEETS	SHEET NO.
	PLOT SCALE = 100.0000' / in.	DRAWN - BTM	REVISED -		SCALE:	SHEET NO.	OF SHEETS	STA.	TO STA.	*	SANGAMON	194	42
	PLOT DATE = Sep-06-2013 08:15:49AM	CHECKED - JSA	REVISED -		* (84-10-1)RS-3, (84-10-2)RS-4								
		DATE - 12/19/12	REVISED -		CONTRACT NO. 72C90								
ILLINOIS FED. AID PROJECT													



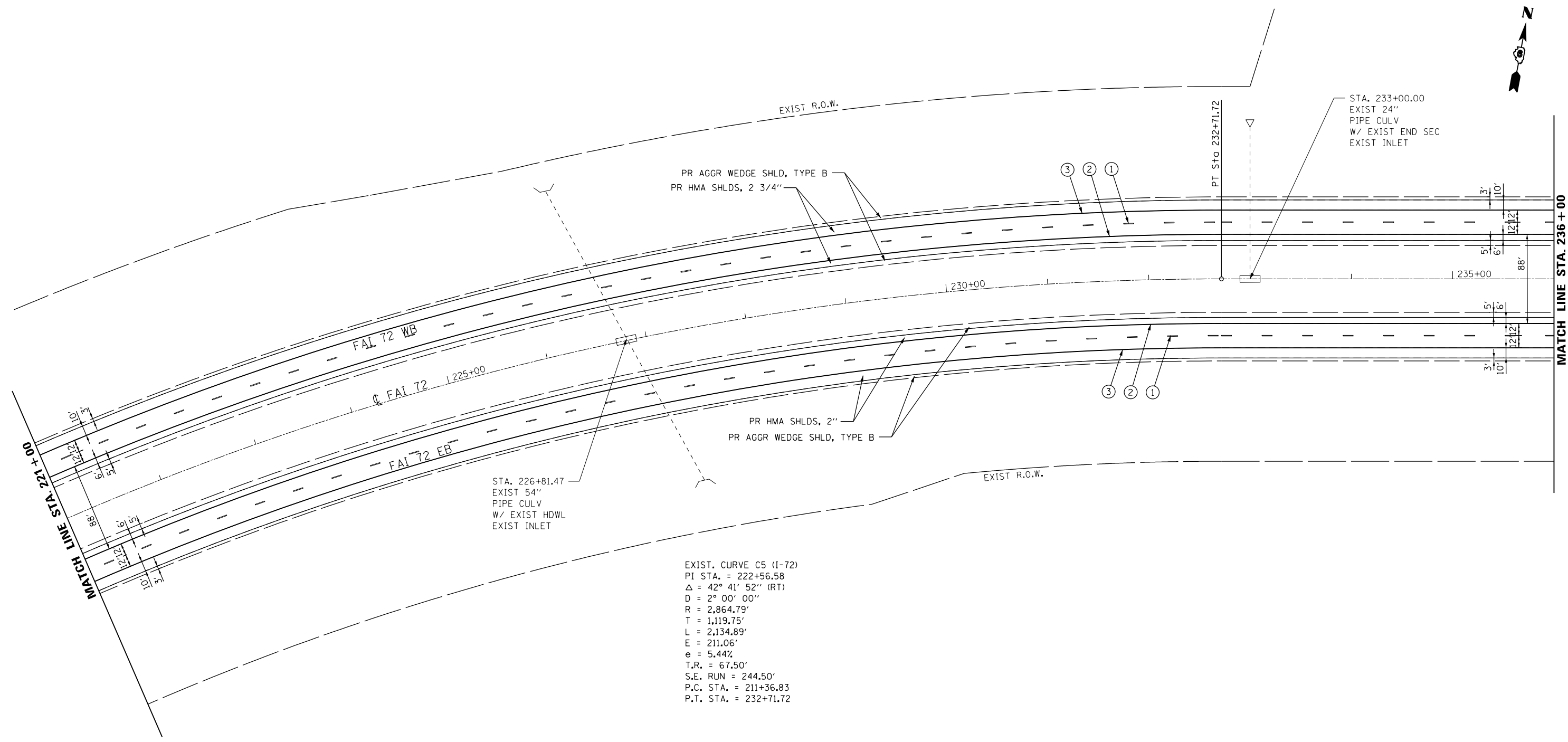
EXIST. CURVE C5 (1-72)
 PI STA. = 222+56.58
 $\Delta = 42^\circ 41' 52''$ (RT)
 $D = 2^\circ 00' 00''$
 $R = 2,864.79'$
 $T = 1,119.75'$
 $L = 2,134.89'$
 $E = 211.06'$
 $e = 5.44\%$
 $T.R. = 67.50'$
 $S.E. RUN = 244.50'$
 $P.C. STA. = 211+36.83$
 $P.T. STA. = 232+71.72$

PAVEMENT MARKING LEGEND

- ① PR PREFORMED PLASTIC PAVEMENT MARKING, TYPE B (INLAID), LINE 5" (30' SKIP, 10' DASH)
- ② PR URETHANE PAVEMENT MARKING, LINE 5" (SOLID YELLOW)
- ③ PR URETHANE PAVEMENT MARKING, LINE 5" (SOLID WHITE)
- ④ PR URETHANE PAVEMENT MARKING, LINE 6" (SOLID WHITE)
- ⑤ PR URETHANE PAVEMENT MARKING, LINE 6" (6' SKIP, 2' DASH)
- ⑥ PR PREFORMED PLASTIC PAVEMENT MARKING, TYPE B (INLAID), LINE 8" (SOLID WHITE)
- ⑦ PR PREFORMED PLASTIC PAVEMENT MARKING, TYPE B (INLAID), LINE 12" (SOLID WHITE)
- ⑧ PR PREFORMED PLASTIC PAVEMENT MARKING, TYPE B (INLAID), LINE 24" (SOLID WHITE)
- ⑨ PR PREFORMED PLASTIC PAVEMENT MARKING, TYPE B (INLAID), LETTERS & SYMBOLS (SOLID WHITE)
- ▷ PR RAISED REFLECTIVE PAVEMENT MARKER, ONE-WAY, WHITE
- ◀ PR RAISED REFLECTIVE PAVEMENT MARKER, ONE-WAY, AMBER



USER NAME = sparksgw DESIGNED - BTM DRAWN - BTM CHECKED - JSA DATE - 12/19/12				REVISED - REVISED - REVISED - REVISED -				STATE OF ILLINOIS DEPARTMENT OF TRANSPORTATION				PLAN SHEETS				F.A.I. RTE.	SECTION	COUNTY	TOTAL SHEETS	SHEET NO.
PLOT SCALE = 100.0000' / in. PLOT DATE = Sep-06-2013 08:16:25AM																1-72	*	SANGAMON	194	43
SCALE: SHEET NO. OF SHEETS STA. TO STA.								ILLINOIS FED. AID PROJECT												



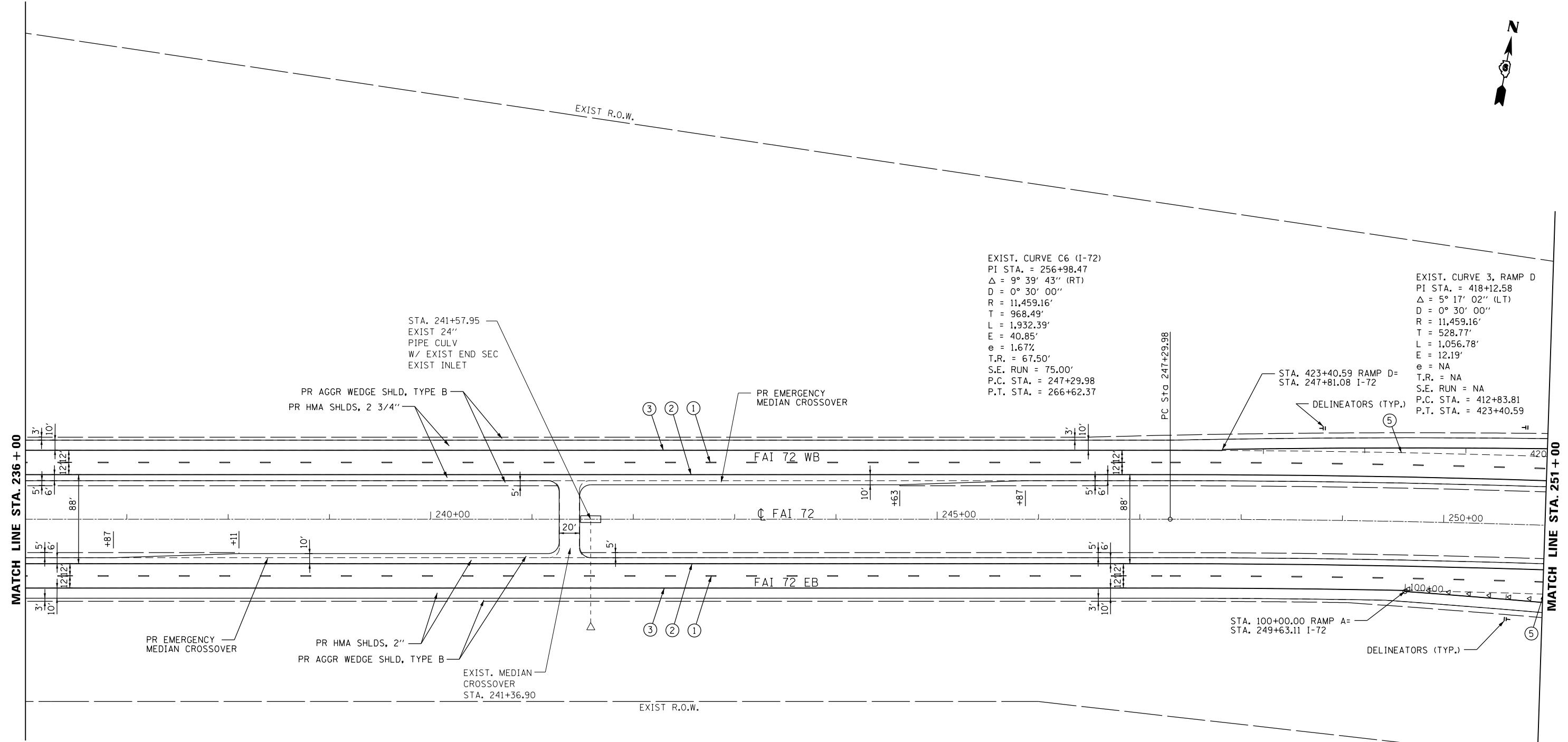
EXIST. CURVE C5 (I-72)
 PI STA. = 222+56.58
 $\Delta = 42^\circ 41' 52''$ (RT)
 $D = 2^\circ 00' 00''$
 $R = 2,864.79'$
 $T = 1,119.75'$
 $L = 2,134.89'$
 $E = 211.06'$
 $e = 5.44\%$
 $T.R. = 67.50'$
 $S.E. RUN = 244.50'$
 $P.C. STA. = 211+36.83$
 $P.T. STA. = 232+71.72$

PAVEMENT MARKING LEGEND

- ① PR PREFORMED PLASTIC PAVEMENT MARKING, TYPE B (INLAID), LINE 5" (30' SKIP, 10' DASH)
- ② PR URETHANE PAVEMENT MARKING, LINE 5" (SOLID YELLOW)
- ③ PR URETHANE PAVEMENT MARKING, LINE 5" (SOLID WHITE)
- ④ PR URETHANE PAVEMENT MARKING, LINE 6" (SOLID WHITE)
- ⑤ PR URETHANE PAVEMENT MARKING, LINE 6" (6' SKIP, 2' DASH)
- ⑥ PR PREFORMED PLASTIC PAVEMENT MARKING, TYPE B (INLAID), LINE 8" (SOLID WHITE)
- ⑦ PR PREFORMED PLASTIC PAVEMENT MARKING, TYPE B (INLAID), LINE 12" (SOLID WHITE)
- ⑧ PR PREFORMED PLASTIC PAVEMENT MARKING, TYPE B (INLAID), LINE 24" (SOLID WHITE)
- ⑨ PR PREFORMED PLASTIC PAVEMENT MARKING, TYPE B (INLAID), LETTERS & SYMBOLS (SOLID WHITE)
- ▷ PR RAISED REFLECTIVE PAVEMENT MARKER, ONE-WAY, WHITE
- ◀ PR RAISED REFLECTIVE PAVEMENT MARKER, ONE-WAY, AMBER



USER NAME = sparksgw DESIGNED - BTM DRAWN - BTM PLOT SCALE = 100.0000' / in. PLOT DATE = Sep-06-2013 08:16:58AM				DESIGNED - BTM REVISIONS - CHECKED - JSA DATE - 12/19/12				STATE OF ILLINOIS DEPARTMENT OF TRANSPORTATION				PLAN SHEETS				F.A.I. RTE. SECTION COUNTY TOTAL SHEETS SHEET NO. I-72 * SANGAMON 194 44 * (84-10-1)RS-3, (84-10-2)RS-4 CONTRACT NO. 72C90	
SCALE:		SHEET NO. OF SHEETS		STA. TO STA.		ILLINOIS FED. AID PROJECT											



EXIST. CURVE C6 (I-72)
 PI STA. = 256+98.47
 $\Delta = 9^\circ 39' 43''$ (RT)
 $D = 0^\circ 30' 00''$
 $R = 11,459.16'$
 $T = 968.49'$
 $L = 1,932.39'$
 $E = 40.85'$
 $e = 1.67\%$
 $T.R. = 67.50'$
 $S.E. RUN = 75.00'$
 $P.C. STA. = 247+29.98$
 $P.T. STA. = 266+62.37$

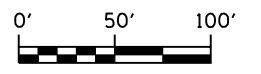
EXIST. CURVE 3, RAMP D
 PI STA. = 418+12.58
 $\Delta = 5^\circ 17' 02''$ (LT)
 $D = 0^\circ 30' 00''$
 $R = 11,459.16'$
 $T = 528.77'$
 $L = 1,056.78'$
 $E = 12.19'$
 $e = NA$
 $T.R. = NA$
 $S.E. RUN = NA$
 $P.C. STA. = 412+83.81$
 $P.T. STA. = 423+40.59$

STA. 100+00.00 RAMP A=
 STA. 249+63.11 I-72

EXIST. CURVE 1, RAMP A
 PI STA. = 103+31.30
 $\Delta = 3^\circ 18' 43''$ (RT)
 $D = 0^\circ 30' 00''$
 $R = 11,459.16'$

PAVEMENT MARKING LEGEND

- ① PR PREFORMED PLASTIC PAVEMENT MARKING, TYPE B (INLAID), LINE 5" (30' SKIP, 10' DASH)
- ② PR URETHANE PAVEMENT MARKING, LINE 5" (SOLID YELLOW)
- ③ PR URETHANE PAVEMENT MARKING, LINE 5" (SOLID WHITE)
- ④ PR URETHANE PAVEMENT MARKING, LINE 6" (SOLID WHITE)
- ⑤ PR URETHANE PAVEMENT MARKING, LINE 6" (6' SKIP, 2' DASH)
- ⑥ PR PREFORMED PLASTIC PAVEMENT MARKING, TYPE B (INLAID), LINE 8" (SOLID WHITE)
- ⑦ PR PREFORMED PLASTIC PAVEMENT MARKING, TYPE B (INLAID), LINE 12" (SOLID WHITE)
- ⑧ PR PREFORMED PLASTIC PAVEMENT MARKING, TYPE B (INLAID), LINE 24" (SOLID WHITE)
- ⑨ PR PREFORMED PLASTIC PAVEMENT MARKING, TYPE B (INLAID), LETTERS & SYMBOLS (SOLID WHITE)
- ▷ PR RAISED REFLECTIVE PAVEMENT MARKER, ONE-WAY, WHITE
- ◀ PR RAISED REFLECTIVE PAVEMENT MARKER, ONE-WAY, AMBER



USER NAME = sparksgw PLOT SCALE = 100.0000' / in. PLOT DATE = Sep-06-2013 08:20:20AM	DESIGNED - BTM DRAWN - BTM	REVISED - REVISED -	STATE OF ILLINOIS DEPARTMENT OF TRANSPORTATION	PLAN SHEETS				F.A.I. RTE. I-72 * (84-10-1)RS-3, (84-10-2)RS-4	SECTION *	COUNTY SANGAMON	TOTAL SHEETS 194	SHEET NO. 45
	CHECKED - JSA DATE - 12/19/12	REVISED - REVISED -		SCALE:	SHEET NO. OF SHEETS STA. TO STA.	CONTRACT NO. 72C90 ILLINOIS FED. AID PROJECT						



EXIST. CURVE 3, RAMP D
 PI STA. = 18+12.58
 Δ = 5° 17' 02" (LT)
 D = 0° 30' 00"
 R = 11,459.16'
 T = 528.77'
 L = 1,056.78'
 E = 12.19'
 e = NA
 T.R. = NA
 S.E. RUN = NA
 P.C. STA. = 12+83.81
 P.T. STA. = 23+40.59

EXIST. CURVE 2, RAMP D
 PI STA. = 410+12.75
 Δ = 42° 45' 38" (RT)
 D = 7° 30' 00"
 R = 763.94'
 T = 299.08'
 L = 570.14'
 E = 56.46'
 e = 8.0%
 T.R. = 48.00'
 S.E. RUN = 256.00'
 P.C. STA. = 407+13.67
 P.T. STA. = 412+83.81

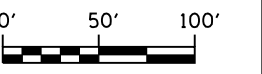
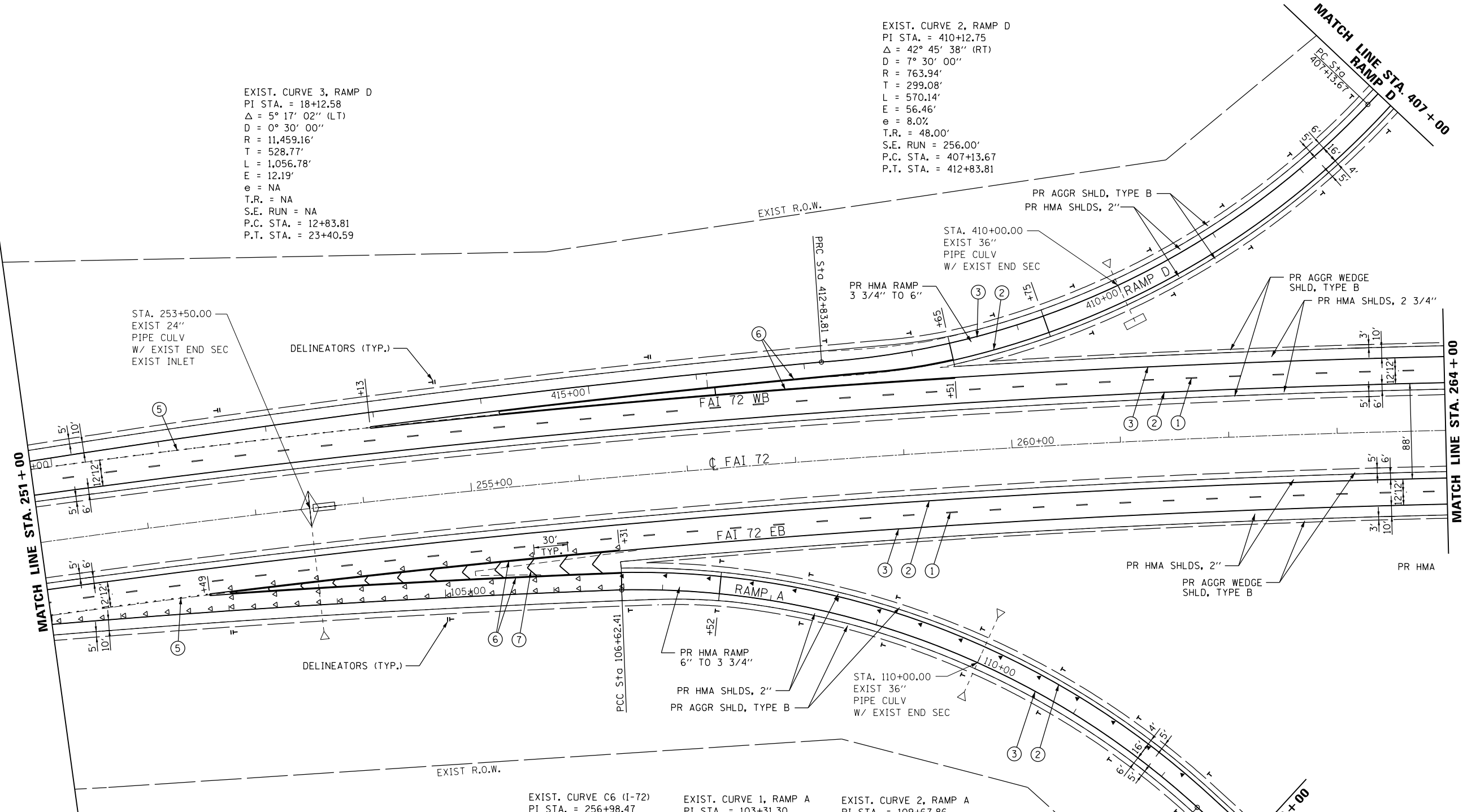
EXIST. CURVE C6 (I-72)
 PI STA. = 256+98.47
 Δ = 9° 39' 43" (RT)
 D = 0° 30' 00"
 R = 11,459.16'
 T = 968.49'
 L = 1,932.39'
 E = 40.85'
 e = 1.67%
 T.R. = 67.50'
 S.E. RUN = 75.00'
 P.C. STA. = 247+29.98
 P.T. STA. = 266+62.37

EXIST. CURVE 1, RAMP A
 PI STA. = 103+31.30
 Δ = 3° 18' 43" (RT)
 D = 0° 30' 00"
 R = 11,459.16'
 T = 331.30'
 L = 662.41'
 E = 4.79'
 e = NA
 T.R. = NA
 S.E. RUN = NA
 P.C. STA. = 100+00.00
 P.T. STA. = 106+62.41

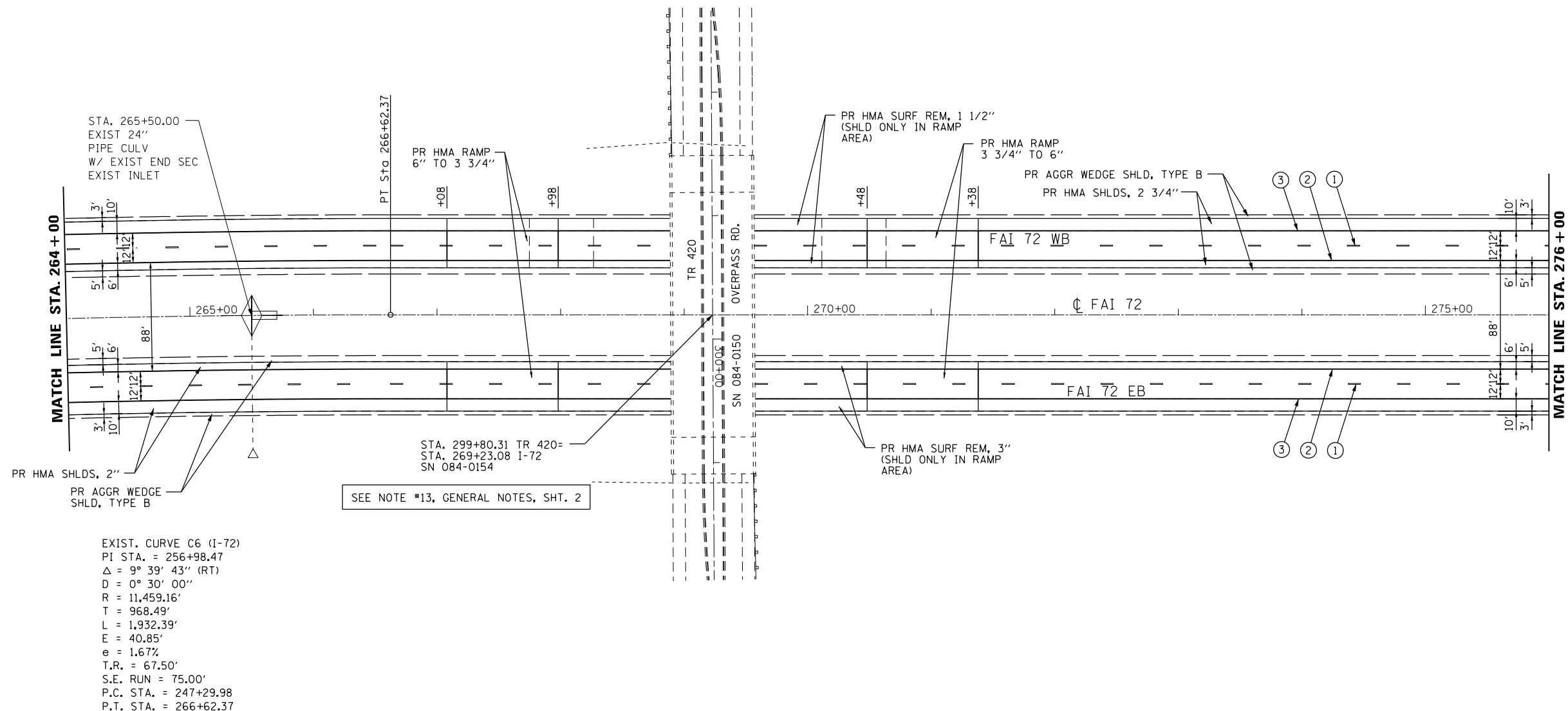
EXIST. CURVE 2, RAMP A
 PI STA. = 109+67.86
 Δ = 43° 35' 13" (RT)
 D = 7° 30' 00"
 R = 763.94'
 T = 305.45'
 L = 581.16'
 E = 58.80'
 e = 8.0%
 T.R. = 48.00'
 S.E. RUN = 256.00'
 P.C. STA. = 106+62.41
 P.T. STA. = 112+43.56

PAVEMENT MARKING LEGEND

- ① PR PREFORMED PLASTIC PAVEMENT MARKING, TYPE B (INLAID), LINE 5" (30' SKIP, 10' DASH)
- ② PR URETHANE PAVEMENT MARKING, LINE 5" (SOLID YELLOW)
- ③ PR URETHANE PAVEMENT MARKING, LINE 5" (SOLID WHITE)
- ④ PR URETHANE PAVEMENT MARKING, LINE 6" (SOLID WHITE)
- ⑤ PR URETHANE PAVEMENT MARKING, LINE 6" (6' SKIP, 2' DASH)
- ⑥ PR PREFORMED PLASTIC PAVEMENT MARKING, TYPE B (INLAID), LINE 8" (SOLID WHITE)
- ⑦ PR PREFORMED PLASTIC PAVEMENT MARKING, TYPE B (INLAID), LINE 12" (SOLID WHITE)
- ⑧ PR PREFORMED PLASTIC PAVEMENT MARKING, TYPE B (INLAID), LINE 24" (SOLID WHITE)
- ⑨ PR PREFORMED PLASTIC PAVEMENT MARKING, TYPE B (INLAID), LETTERS & SYMBOLS (SOLID WHITE)
- ▷ PR RAISED REFLECTIVE PAVEMENT MARKER, ONE-WAY, WHITE
- ◀ PR RAISED REFLECTIVE PAVEMENT MARKER, ONE-WAY, AMBER



USER NAME = sparksgw		DESIGNED - BTM	REVISED -	STATE OF ILLINOIS DEPARTMENT OF TRANSPORTATION	PLAN SHEETS			F.A.I. RTE.	SECTION	COUNTY	TOTAL SHEETS	SHEET NO.	
DRAWN - BTM		CHECKED - JSA	REVISED -		SCALE:	SHEET NO.	OF SHEETS	STA.	TO STA.	*	SANGAMON	194	46
PLOT SCALE = 100.0000' / in.		DATE - 12/19/12	REVISED -							* (84-10-1)RS-3, (84-10-2)RS-4			CONTRACT NO. 72C90
PLOT DATE = Sep-06-2013 08:20:49AM										ILLINOIS FED. AID PROJECT			



STA. 265+50.00
EXIST 24"
PIPE CULV
W/ EXIST END SEC
EXIST INLET

PR HMA RAMP
6" TO 3 3/4"

PR HMA SURF REM, 1 1/2"
(SHLD ONLY IN RAMP
AREA)

PR HMA RAMP
3 3/4" TO 6"

PR AGGR WEDGE SHLD, TYPE B
PR HMA SHLDS, 2 3/4"

MATCH LINE STA. 264+00

MATCH LINE STA. 276+00

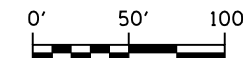
STA. 299+80.31 TR 420=
STA. 269+23.08 I-72
SN 084-0154

SEE NOTE #13, GENERAL NOTES, SHT. 2

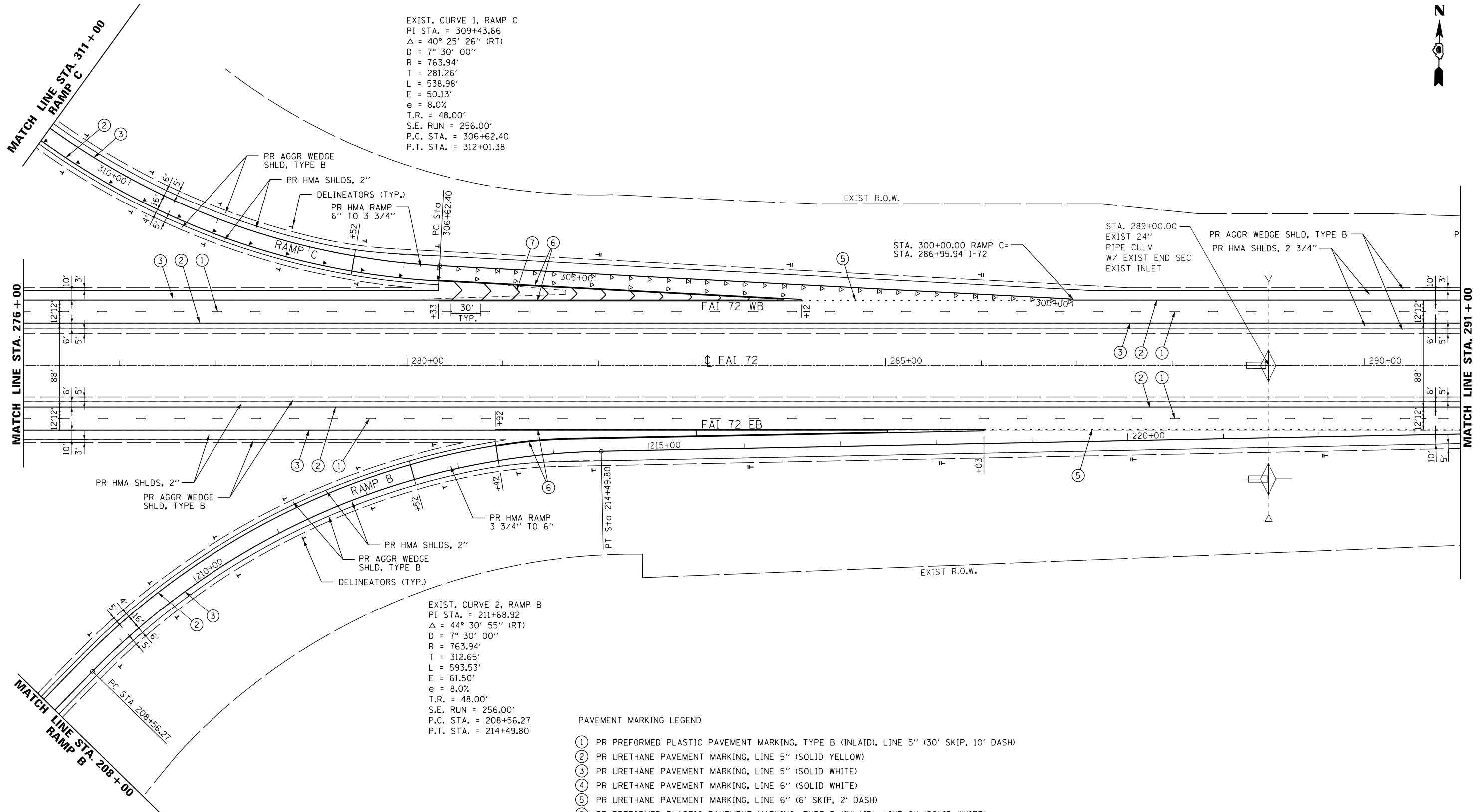
EXIST. CURVE C6 (I-72)
PI STA. = 256+98.47
Δ = 9° 39' 43" (RT)
D = 0° 30' 00"
R = 11,459.16'
T = 968.49'
L = 1,932.39'
E = 40.85'
e = 1.67%
T.R. = 67.50'
S.E. RUN = 75.00'
P.C. STA. = 247+29.98
P.T. STA. = 266+62.37

PAVEMENT MARKING LEGEND

- ① PR PREFORMED PLASTIC PAVEMENT MARKING, TYPE B (INLAID), LINE 5" (30' SKIP, 10' DASH)
- ② PR URETHANE PAVEMENT MARKING, LINE 5" (SOLID YELLOW)
- ③ PR URETHANE PAVEMENT MARKING, LINE 5" (SOLID WHITE)
- ④ PR URETHANE PAVEMENT MARKING, LINE 6" (SOLID WHITE)
- ⑤ PR URETHANE PAVEMENT MARKING, LINE 6" (6' SKIP, 2' DASH)
- ⑥ PR PREFORMED PLASTIC PAVEMENT MARKING, TYPE B (INLAID), LINE 8" (SOLID WHITE)
- ⑦ PR PREFORMED PLASTIC PAVEMENT MARKING, TYPE B (INLAID), LINE 12" (SOLID WHITE)
- ⑧ PR PREFORMED PLASTIC PAVEMENT MARKING, TYPE B (INLAID), LINE 24" (SOLID WHITE)
- ⑨ PR PREFORMED PLASTIC PAVEMENT MARKING, TYPE B (INLAID), LETTERS & SYMBOLS (SOLID WHITE)
- ▷ PR RAISED REFLECTIVE PAVEMENT MARKER, ONE-WAY, WHITE
- ◀ PR RAISED REFLECTIVE PAVEMENT MARKER, ONE-WAY, AMBER



USER NAME = sparksgw PLOT SCALE = 100.0000' / in. PLOT DATE = Sep-06-2013 08:21:17AM	DESIGNED - BTM	REVISED -	STATE OF ILLINOIS DEPARTMENT OF TRANSPORTATION	PLAN SHEETS			F.A.I. RTE.	SECTION	COUNTY	TOTAL SHEETS	SHEET NO.		
	DRAWN - BTM	REVISED -		SCALE:	SHEET NO.	OF SHEETS	STA.	TO STA.	I-72	*	SANGAMON	194	47
	CHECKED - JSA	REVISED -								* (84-10-1)RS-3, (84-10-2)RS-4 ILLINOIS FED. AID PROJECT			
DATE - 12/19/12	REVISED -												

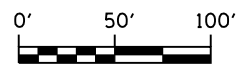


EXIST. CURVE 1, RAMP C
 PI STA. = 309+43.66
 $\Delta = 40^\circ 25' 26''$ (RT)
 $D = 7^\circ 30' 00''$
 $R = 763.94'$
 $T = 281.26'$
 $L = 538.98'$
 $E = 50.13'$
 $e = 8.0\%$
 $T.R. = 48.00'$
 $S.E. RUN = 256.00'$
 $P.C. STA. = 306+62.40$
 $P.T. STA. = 312+01.38$

EXIST. CURVE 2, RAMP B
 PI STA. = 211+68.92
 $\Delta = 44^\circ 30' 55''$ (RT)
 $D = 7^\circ 30' 00''$
 $R = 763.94'$
 $T = 312.65'$
 $L = 593.53'$
 $E = 61.50'$
 $e = 8.0\%$
 $T.R. = 48.00'$
 $S.E. RUN = 256.00'$
 $P.C. STA. = 208+56.27$
 $P.T. STA. = 214+49.80$

PAVEMENT MARKING LEGEND

- ① PR PREFORMED PLASTIC PAVEMENT MARKING, TYPE B (INLAID), LINE 5" (30' SKIP, 10' DASH)
- ② PR URETHANE PAVEMENT MARKING, LINE 5" (SOLID YELLOW)
- ③ PR URETHANE PAVEMENT MARKING, LINE 5" (SOLID WHITE)
- ④ PR URETHANE PAVEMENT MARKING, LINE 6" (SOLID WHITE)
- ⑤ PR URETHANE PAVEMENT MARKING, LINE 6" (6' SKIP, 2' DASH)
- ⑥ PR PREFORMED PLASTIC PAVEMENT MARKING, TYPE B (INLAID), LINE 8" (SOLID WHITE)
- ⑦ PR PREFORMED PLASTIC PAVEMENT MARKING, TYPE B (INLAID), LINE 12" (SOLID WHITE)
- ⑧ PR PREFORMED PLASTIC PAVEMENT MARKING, TYPE B (INLAID), LINE 24" (SOLID WHITE)
- ⑨ PR PREFORMED PLASTIC PAVEMENT MARKING, TYPE B (INLAID), LETTERS & SYMBOLS (SOLID WHITE)
- ▷ PR RAISED REFLECTIVE PAVEMENT MARKER, ONE-WAY, WHITE
- ◀ PR RAISED REFLECTIVE PAVEMENT MARKER, ONE-WAY, AMBER



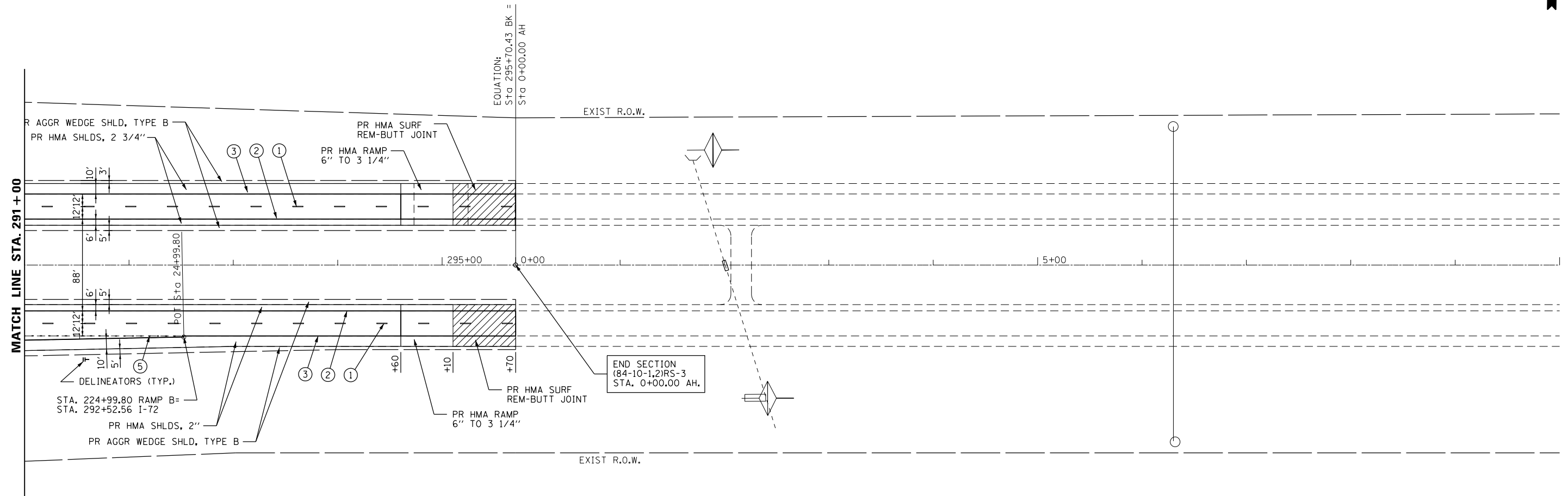
USER NAME = sparksgw	DESIGNED - BTM	REVISED -
PLOT SCALE = 100.0000' / in.	DRAWN - BTM	REVISED -
PLOT DATE = Sep-06-2013 08:21:45AM	CHECKED - JSA	REVISED -
	DATE - 12/19/12	REVISED -

STATE OF ILLINOIS
 DEPARTMENT OF TRANSPORTATION

PLAN SHEETS

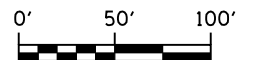
SCALE:	SHEET NO.	OF SHEETS	STA.	TO STA.
--------	-----------	-----------	------	---------

F.A.I. RTE.	SECTION	COUNTY	TOTAL SHEETS	SHEET NO.
I-72	*	SANGAMON	194	48
* (84-10-1)RS-3, (84-10-2)RS-4			CONTRACT NO. 72C90	
ILLINOIS FED. AID PROJECT				



PAVEMENT MARKING LEGEND

- ① PR PREFORMED PLASTIC PAVEMENT MARKING, TYPE B (INLAID), LINE 5" (30' SKIP, 10' DASH)
- ② PR URETHANE PAVEMENT MARKING, LINE 5" (SOLID YELLOW)
- ③ PR URETHANE PAVEMENT MARKING, LINE 5" (SOLID WHITE)
- ④ PR URETHANE PAVEMENT MARKING, LINE 6" (SOLID WHITE)
- ⑤ PR URETHANE PAVEMENT MARKING, LINE 6" (6' SKIP, 2' DASH)
- ⑥ PR PREFORMED PLASTIC PAVEMENT MARKING, TYPE B (INLAID), LINE 8" (SOLID WHITE)
- ⑦ PR PREFORMED PLASTIC PAVEMENT MARKING, TYPE B (INLAID), LINE 12" (SOLID WHITE)
- ⑧ PR PREFORMED PLASTIC PAVEMENT MARKING, TYPE B (INLAID), LINE 24" (SOLID WHITE)
- ⑨ PR PREFORMED PLASTIC PAVEMENT MARKING, TYPE B (INLAID), LETTERS & SYMBOLS (SOLID WHITE)
- ▽ PR RAISED REFLECTIVE PAVEMENT MARKER, ONE-WAY, WHITE
- ◀ PR RAISED REFLECTIVE PAVEMENT MARKER, ONE-WAY, AMBER

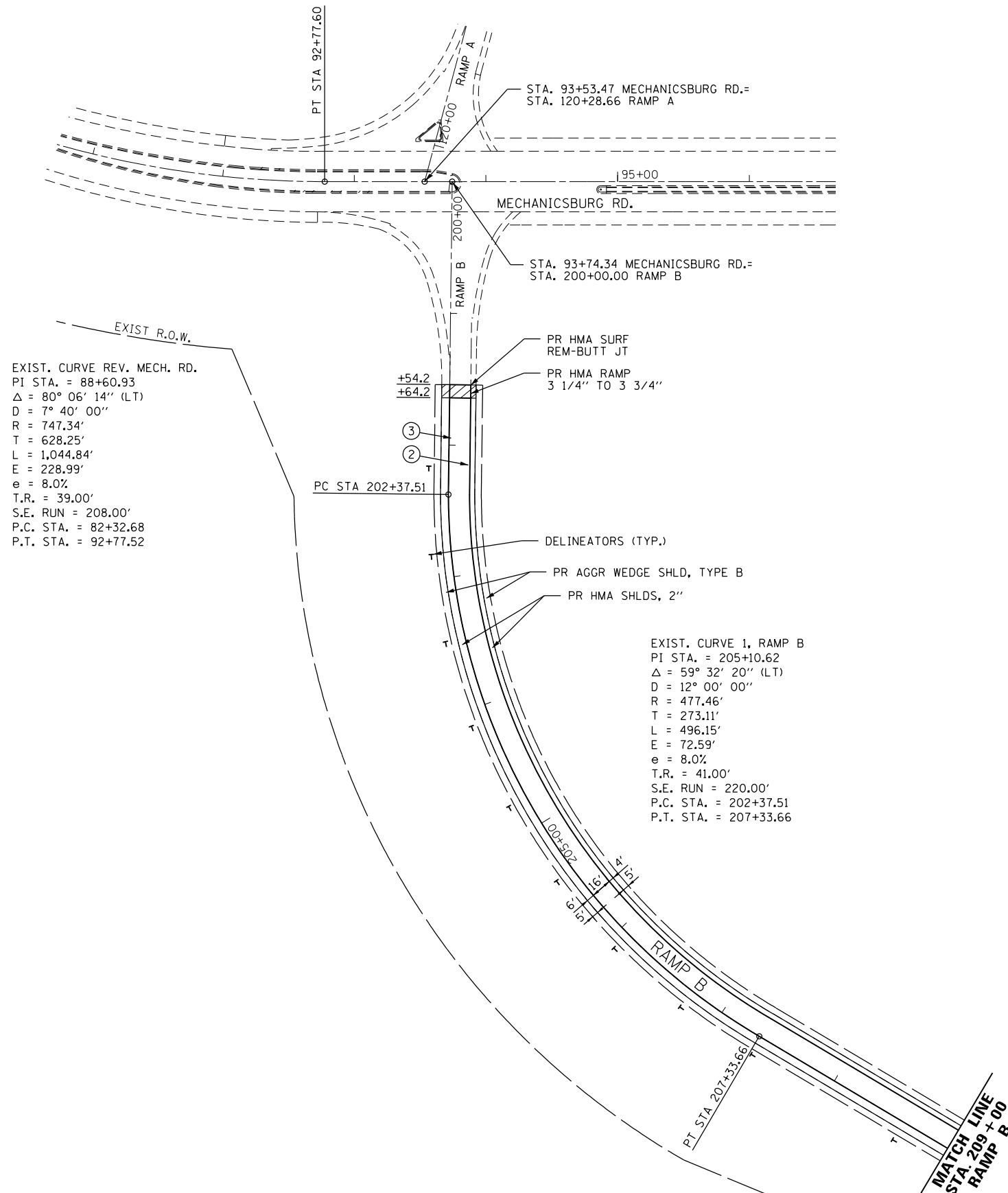
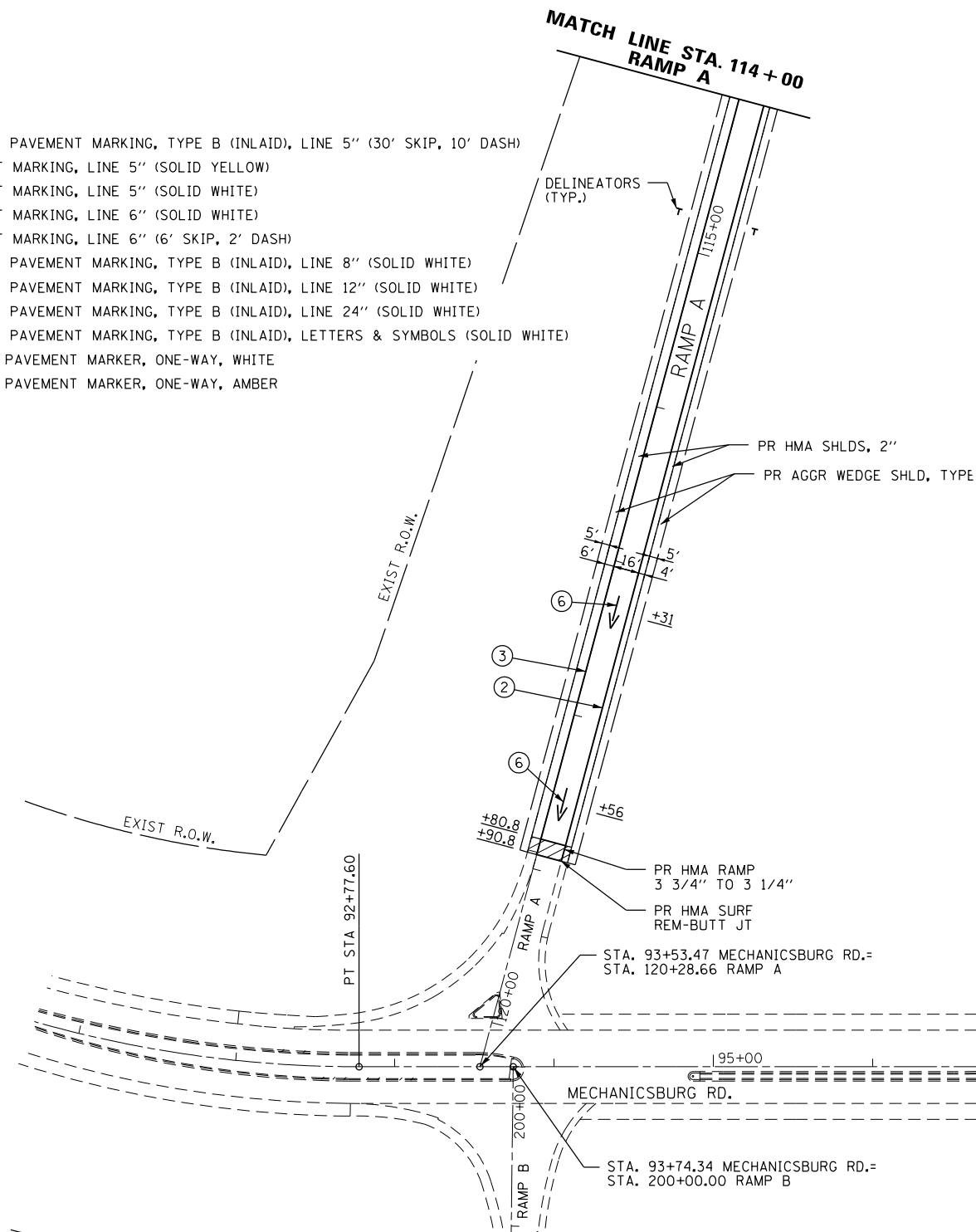


USER NAME = sparksgw PLOT SCALE = 100.0000' / in. PLOT DATE = Sep-06-2013 08:22:13AM	DESIGNED - BTM DRAWN - BTM CHECKED - JSA DATE - 12/19/12	REVISED - REVISED - REVISED - REVISED -	STATE OF ILLINOIS DEPARTMENT OF TRANSPORTATION	PLAN SHEETS	F.A.I. RTE. I-72 *(84-10-1)RS-3, (84-10-2)RS-4	SECTION * ILLINOIS FED. AID PROJECT	COUNTY SANGAMON	TOTAL SHEETS 194	SHEET NO. 49
SCALE: SHEET NO. OF SHEETS STA. TO STA.				CONTRACT NO. 72C90					



PAVEMENT MARKING LEGEND

- ① PR PREFORMED PLASTIC PAVEMENT MARKING, TYPE B (INLAID), LINE 5" (30' SKIP, 10' DASH)
- ② PR URETHANE PAVEMENT MARKING, LINE 5" (SOLID YELLOW)
- ③ PR URETHANE PAVEMENT MARKING, LINE 5" (SOLID WHITE)
- ④ PR URETHANE PAVEMENT MARKING, LINE 6" (SOLID WHITE)
- ⑤ PR URETHANE PAVEMENT MARKING, LINE 6" (6' SKIP, 2' DASH)
- ⑥ PR PREFORMED PLASTIC PAVEMENT MARKING, TYPE B (INLAID), LINE 8" (SOLID WHITE)
- ⑦ PR PREFORMED PLASTIC PAVEMENT MARKING, TYPE B (INLAID), LINE 12" (SOLID WHITE)
- ⑧ PR PREFORMED PLASTIC PAVEMENT MARKING, TYPE B (INLAID), LINE 24" (SOLID WHITE)
- ⑨ PR PREFORMED PLASTIC PAVEMENT MARKING, TYPE B (INLAID), LETTERS & SYMBOLS (SOLID WHITE)
- ▷ PR RAISED REFLECTIVE PAVEMENT MARKER, ONE-WAY, WHITE
- ◀ PR RAISED REFLECTIVE PAVEMENT MARKER, ONE-WAY, AMBER



EXIST. CURVE REV. MECH. RD.
PI STA. = 88+60.93
Δ = 80° 06' 14" (LT)
D = 7° 40' 00"
R = 747.34'
T = 628.25'
L = 1,044.84'
E = 228.99'
e = 8.0%
T.R. = 39.00'
S.E. RUN = 208.00'
P.C. STA. = 82+32.68
P.T. STA. = 92+77.52



USER NAME = sparksgw	DESIGNED - BTM	REVISED -
	DRAWN - BTM	REVISED -
PLOT SCALE = 100.0000' / in.	CHECKED - JSA	REVISED -
PLOT DATE = Sep-06-2013 08:22:46AM	DATE - 12/19/12	REVISED -

STATE OF ILLINOIS
DEPARTMENT OF TRANSPORTATION

PLAN SHEETS

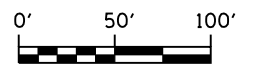
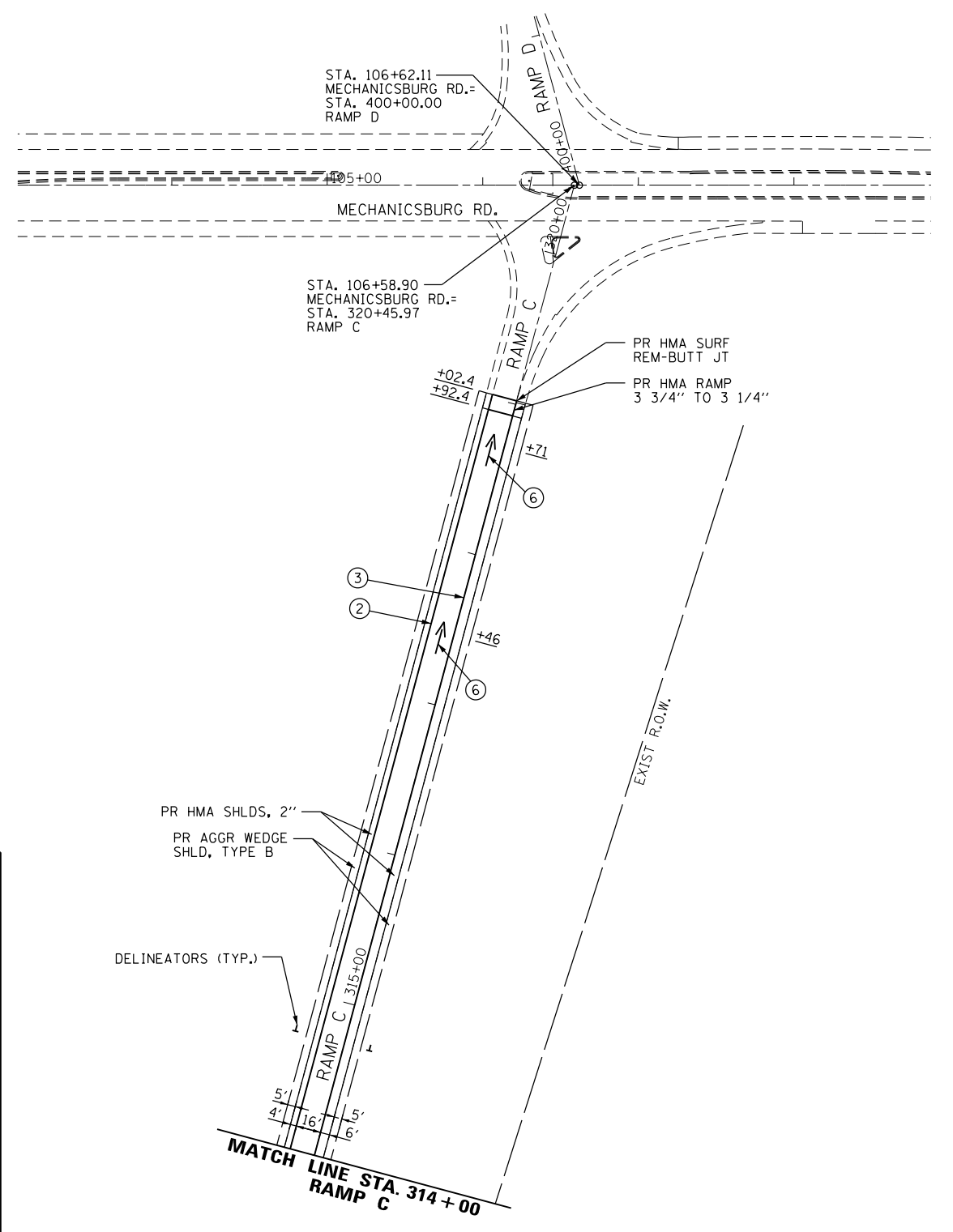
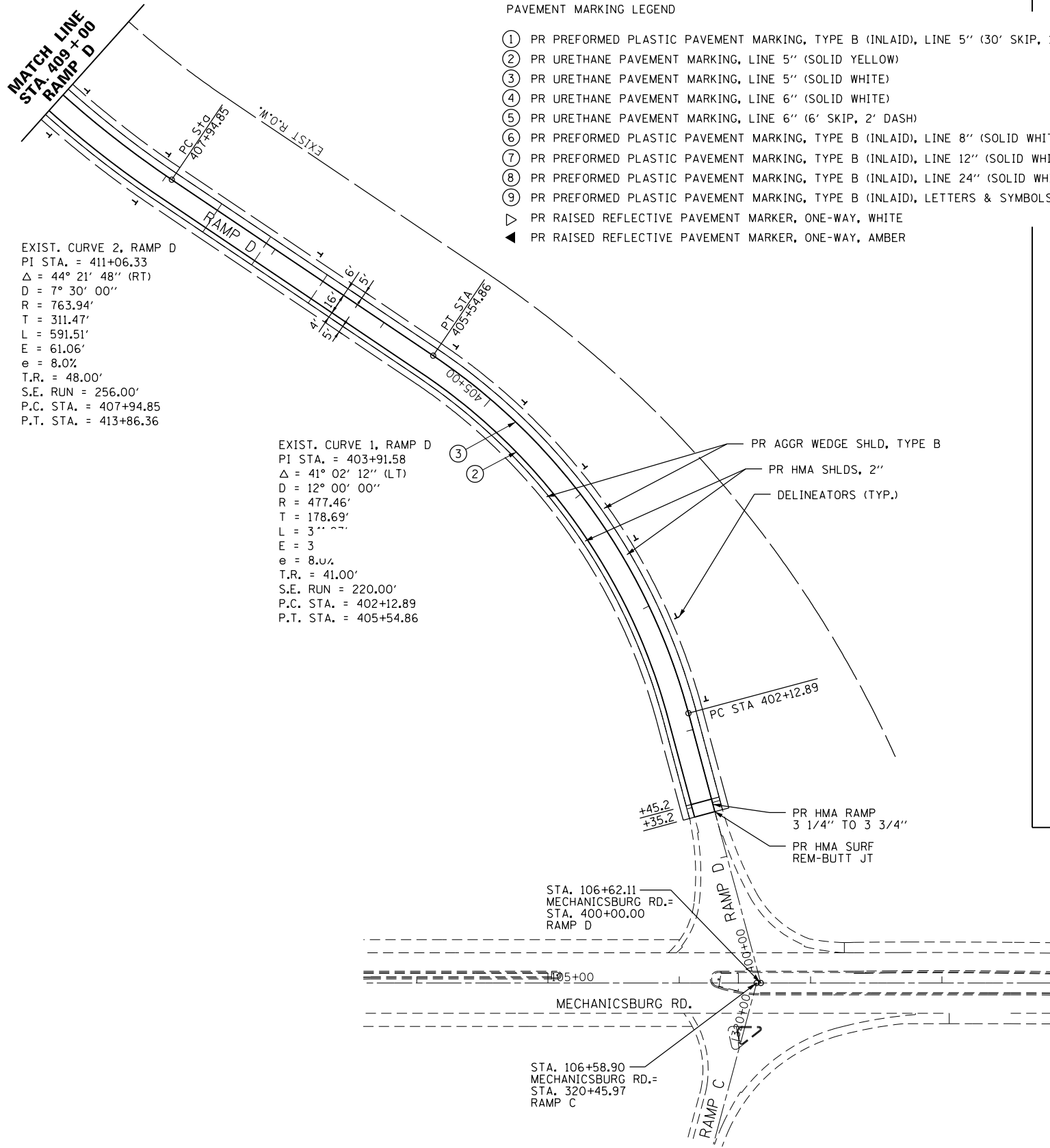
SCALE: SHEET NO. OF SHEETS STA. TO STA.

F.A.I. RTE.	SECTION	COUNTY	TOTAL SHEETS	SHEET NO.
I-72	*	SANGAMON	194	50
* (84-10-1)RS-3, (84-10-2)RS-4			CONTRACT NO. 72C90	
ILLINOIS FED. AID PROJECT				



PAVEMENT MARKING LEGEND

- ① PR PREFORMED PLASTIC PAVEMENT MARKING, TYPE B (INLAID), LINE 5" (30' SKIP, 10' DASH)
- ② PR URETHANE PAVEMENT MARKING, LINE 5" (SOLID YELLOW)
- ③ PR URETHANE PAVEMENT MARKING, LINE 5" (SOLID WHITE)
- ④ PR URETHANE PAVEMENT MARKING, LINE 6" (SOLID WHITE)
- ⑤ PR URETHANE PAVEMENT MARKING, LINE 6" (6' SKIP, 2' DASH)
- ⑥ PR PREFORMED PLASTIC PAVEMENT MARKING, TYPE B (INLAID), LINE 8" (SOLID WHITE)
- ⑦ PR PREFORMED PLASTIC PAVEMENT MARKING, TYPE B (INLAID), LINE 12" (SOLID WHITE)
- ⑧ PR PREFORMED PLASTIC PAVEMENT MARKING, TYPE B (INLAID), LINE 24" (SOLID WHITE)
- ⑨ PR PREFORMED PLASTIC PAVEMENT MARKING, TYPE B (INLAID), LETTERS & SYMBOLS (SOLID WHITE)
- ▷ PR RAISED REFLECTIVE PAVEMENT MARKER, ONE-WAY, WHITE
- ◀ PR RAISED REFLECTIVE PAVEMENT MARKER, ONE-WAY, AMBER



USER NAME = sparksgw	DESIGNED - BTM	REVISED -
	DRAWN - BTM	REVISED -
PLOT SCALE = 100.0000' / in.	CHECKED - JSA	REVISED -
PLOT DATE = Sep-06-2013 08:23:21AM	DATE - 12/19/12	REVISED -

STATE OF ILLINOIS
 DEPARTMENT OF TRANSPORTATION

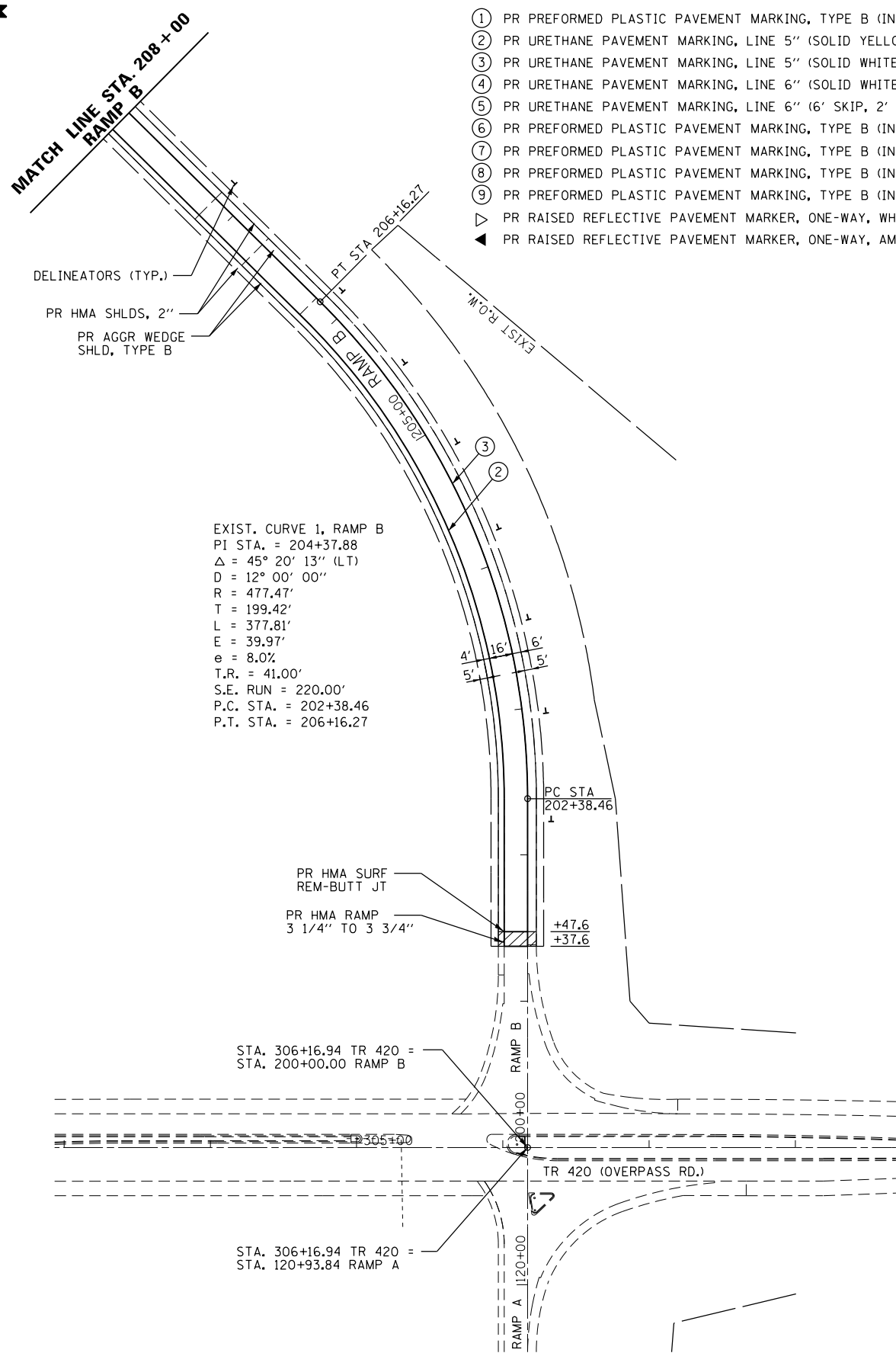
PLAN SHEETS

SCALE:	SHEET NO.	OF SHEETS	STA.	TO STA.
--------	-----------	-----------	------	---------

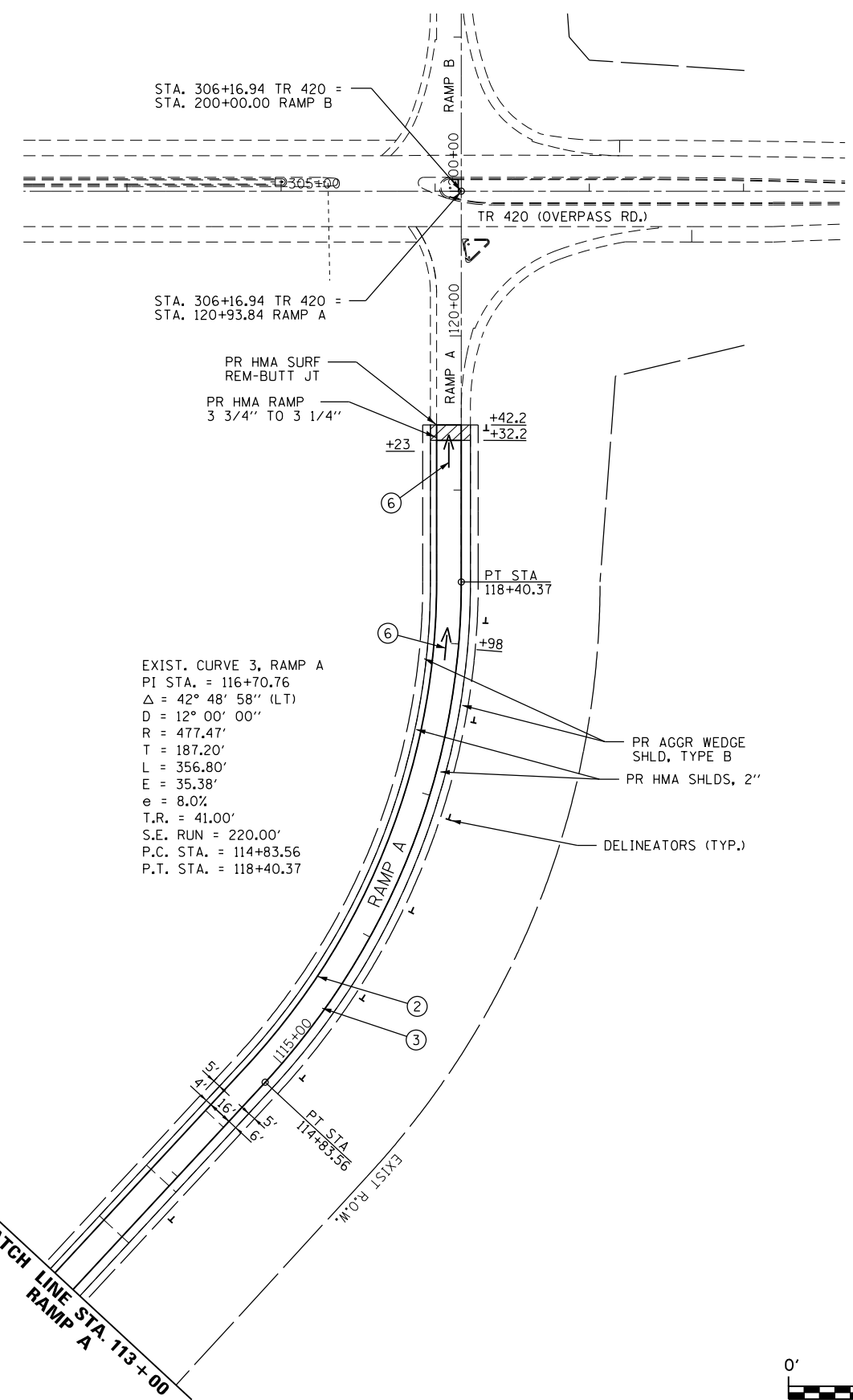
F.A.I. RTE.	SECTION	COUNTY	TOTAL SHEETS	SHEET NO.
I-72	*	SANGAMON	194	51
* (84-10-1)RS-3, (84-10-2)RS-4			CONTRACT NO. 72C90	
ILLINOIS FED. AID PROJECT				

PAVEMENT MARKING LEGEND

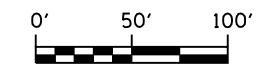
- ① PR PREFORMED PLASTIC PAVEMENT MARKING, TYPE B (INLAID), LINE 5" (30' SKIP, 10' DASH)
- ② PR URETHANE PAVEMENT MARKING, LINE 5" (SOLID YELLOW)
- ③ PR URETHANE PAVEMENT MARKING, LINE 5" (SOLID WHITE)
- ④ PR URETHANE PAVEMENT MARKING, LINE 6" (SOLID WHITE)
- ⑤ PR URETHANE PAVEMENT MARKING, LINE 6" (6' SKIP, 2' DASH)
- ⑥ PR PREFORMED PLASTIC PAVEMENT MARKING, TYPE B (INLAID), LINE 8" (SOLID WHITE)
- ⑦ PR PREFORMED PLASTIC PAVEMENT MARKING, TYPE B (INLAID), LINE 12" (SOLID WHITE)
- ⑧ PR PREFORMED PLASTIC PAVEMENT MARKING, TYPE B (INLAID), LINE 24" (SOLID WHITE)
- ⑨ PR PREFORMED PLASTIC PAVEMENT MARKING, TYPE B (INLAID), LETTERS & SYMBOLS (SOLID WHITE)
- ▷ PR RAISED REFLECTIVE PAVEMENT MARKER, ONE-WAY, WHITE
- ◀ PR RAISED REFLECTIVE PAVEMENT MARKER, ONE-WAY, AMBER



EXIST. CURVE 1, RAMP B
 PI STA. = 204+37.88
 Δ = 45° 20' 13" (LT)
 D = 12° 00' 00"
 R = 477.47'
 T = 199.42'
 L = 377.81'
 E = 39.97'
 e = 8.0%
 T.R. = 41.00'
 S.E. RUN = 220.00'
 P.C. STA. = 202+38.46
 P.T. STA. = 206+16.27



EXIST. CURVE 3, RAMP A
 PI STA. = 116+70.76
 Δ = 42° 48' 58" (LT)
 D = 12° 00' 00"
 R = 477.47'
 T = 187.20'
 L = 356.80'
 E = 35.38'
 e = 8.0%
 T.R. = 41.00'
 S.E. RUN = 220.00'
 P.C. STA. = 114+83.56
 P.T. STA. = 118+40.37



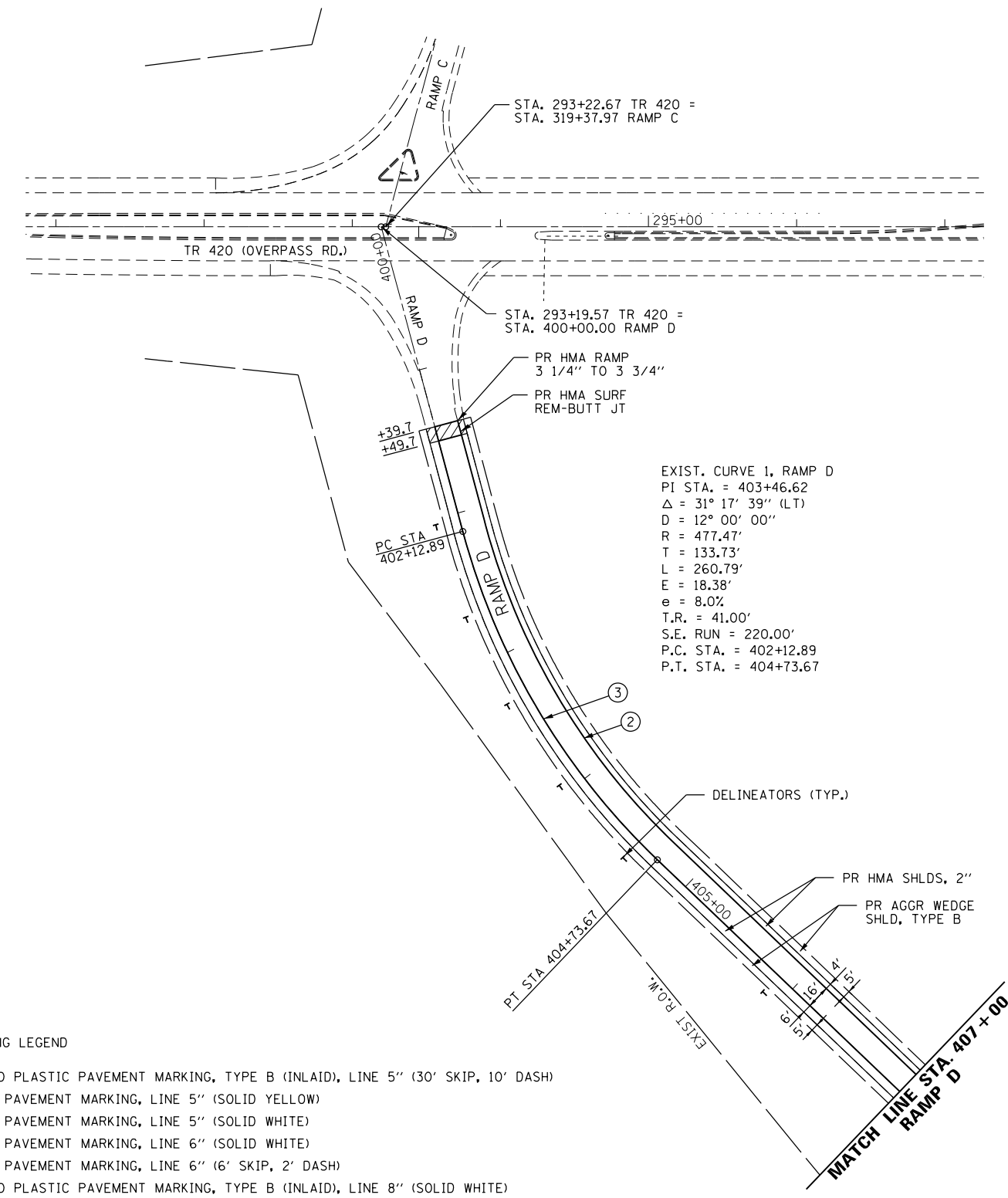
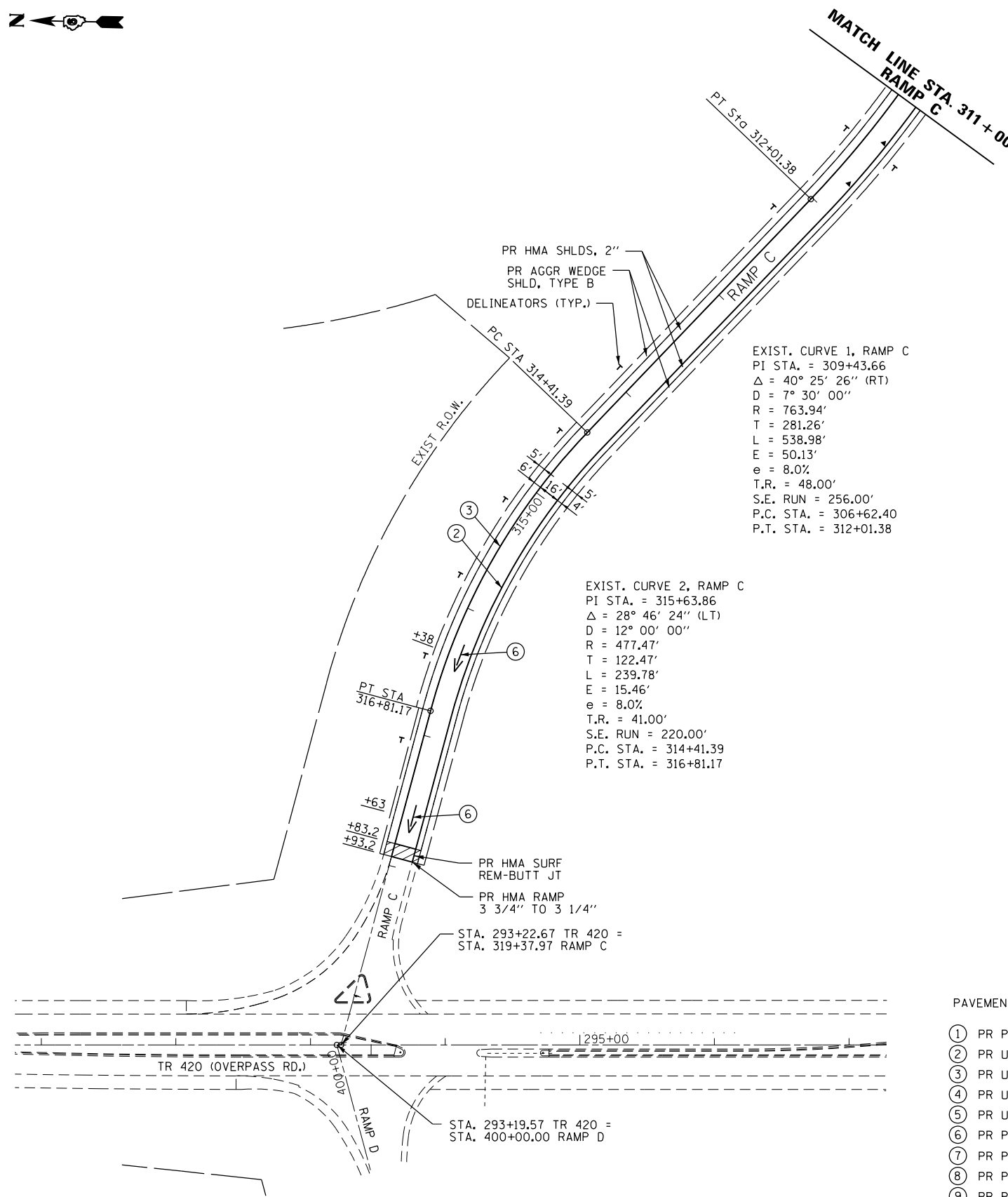
USER NAME = sparksgw	DESIGNED - BTM	REVISED -
DRAWN - BTM	REVISED -	
PLOT SCALE = 100.0000' / in.	CHECKED - JSA	REVISED -
PLOT DATE = Sep-06-2013 08:23:52AM	DATE - 12/19/12	REVISED -

STATE OF ILLINOIS
 DEPARTMENT OF TRANSPORTATION

PLAN SHEETS

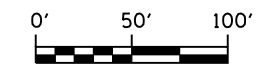
SCALE:	SHEET NO.	OF SHEETS	STA.	TO STA.
--------	-----------	-----------	------	---------

F.A.I. RTE.	SECTION	COUNTY	TOTAL SHEETS	SHEET NO.
I-72	*	SANGAMON	194	52
* (84-10-1)RS-3, (84-10-2)RS-4			CONTRACT NO. 72C90	
ILLINOIS FED. AID PROJECT				



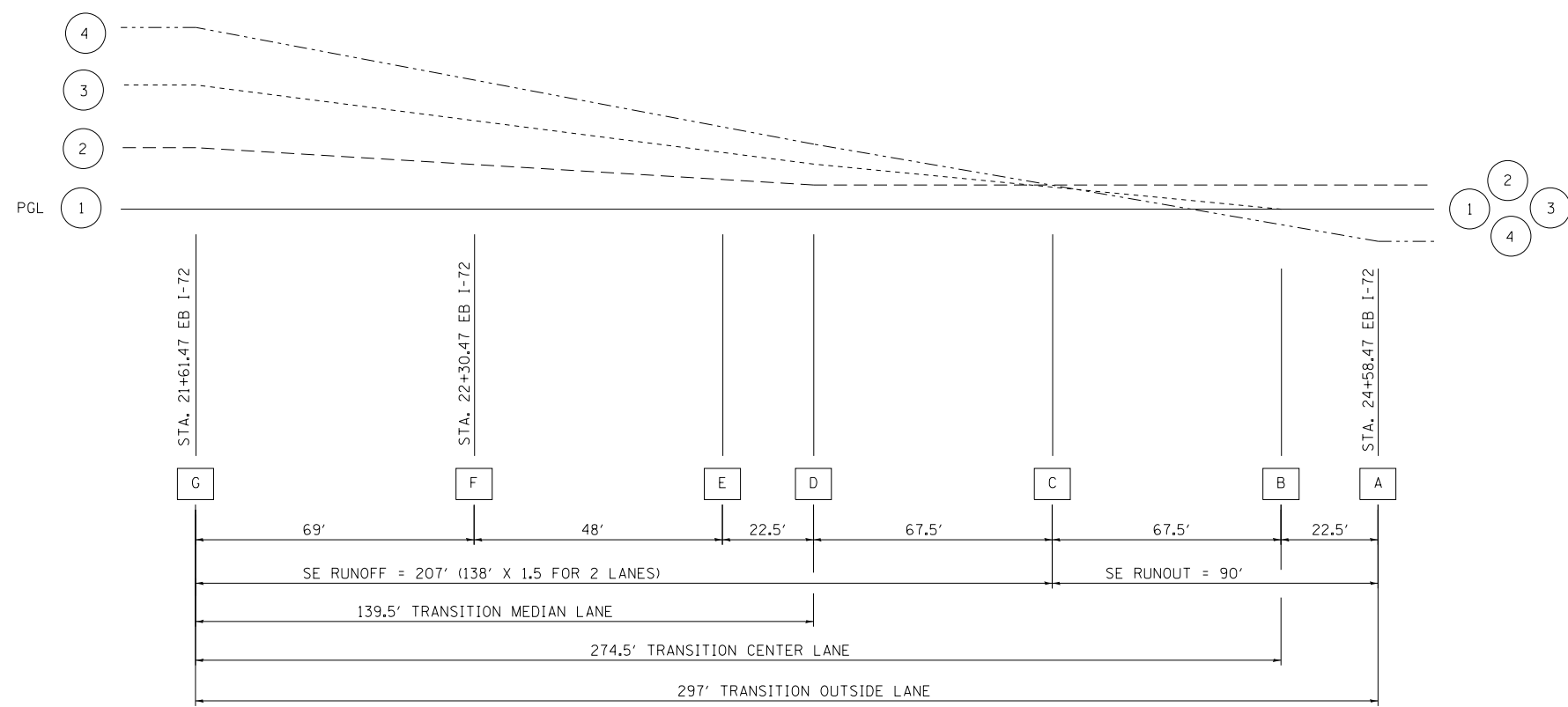
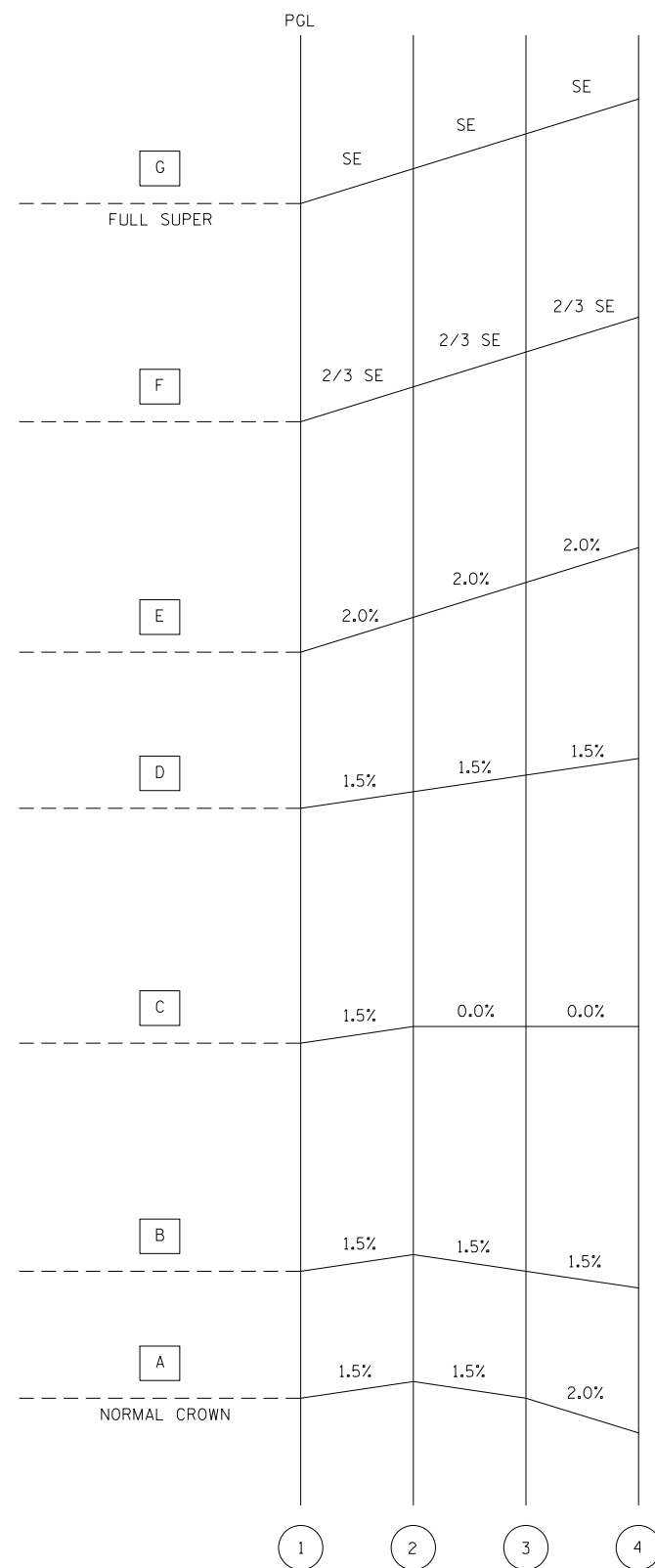
PAVEMENT MARKING LEGEND

- ① PR PREFORMED PLASTIC PAVEMENT MARKING, TYPE B (INLAID), LINE 5" (30' SKIP, 10' DASH)
- ② PR URETHANE PAVEMENT MARKING, LINE 5" (SOLID YELLOW)
- ③ PR URETHANE PAVEMENT MARKING, LINE 5" (SOLID WHITE)
- ④ PR URETHANE PAVEMENT MARKING, LINE 6" (SOLID WHITE)
- ⑤ PR URETHANE PAVEMENT MARKING, LINE 6" (6' SKIP, 2' DASH)
- ⑥ PR PREFORMED PLASTIC PAVEMENT MARKING, TYPE B (INLAID), LINE 8" (SOLID WHITE)
- ⑦ PR PREFORMED PLASTIC PAVEMENT MARKING, TYPE B (INLAID), LINE 12" (SOLID WHITE)
- ⑧ PR PREFORMED PLASTIC PAVEMENT MARKING, TYPE B (INLAID), LINE 24" (SOLID WHITE)
- ⑨ PR PREFORMED PLASTIC PAVEMENT MARKING, TYPE B (INLAID), LETTERS & SYMBOLS (SOLID WHITE)
- ▽ PR RAISED REFLECTIVE PAVEMENT MARKER, ONE-WAY, WHITE
- ◀ PR RAISED REFLECTIVE PAVEMENT MARKER, ONE-WAY, AMBER

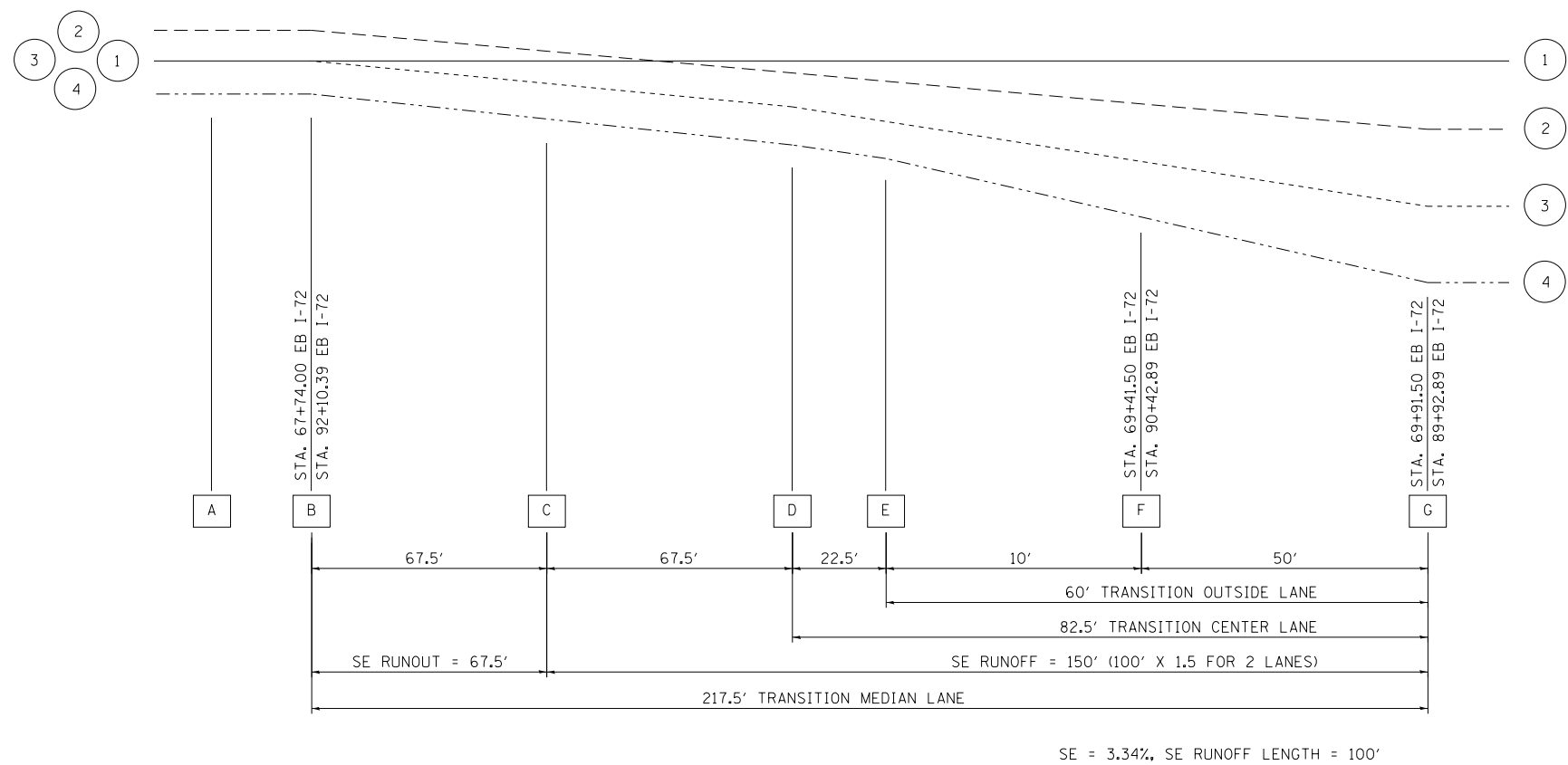
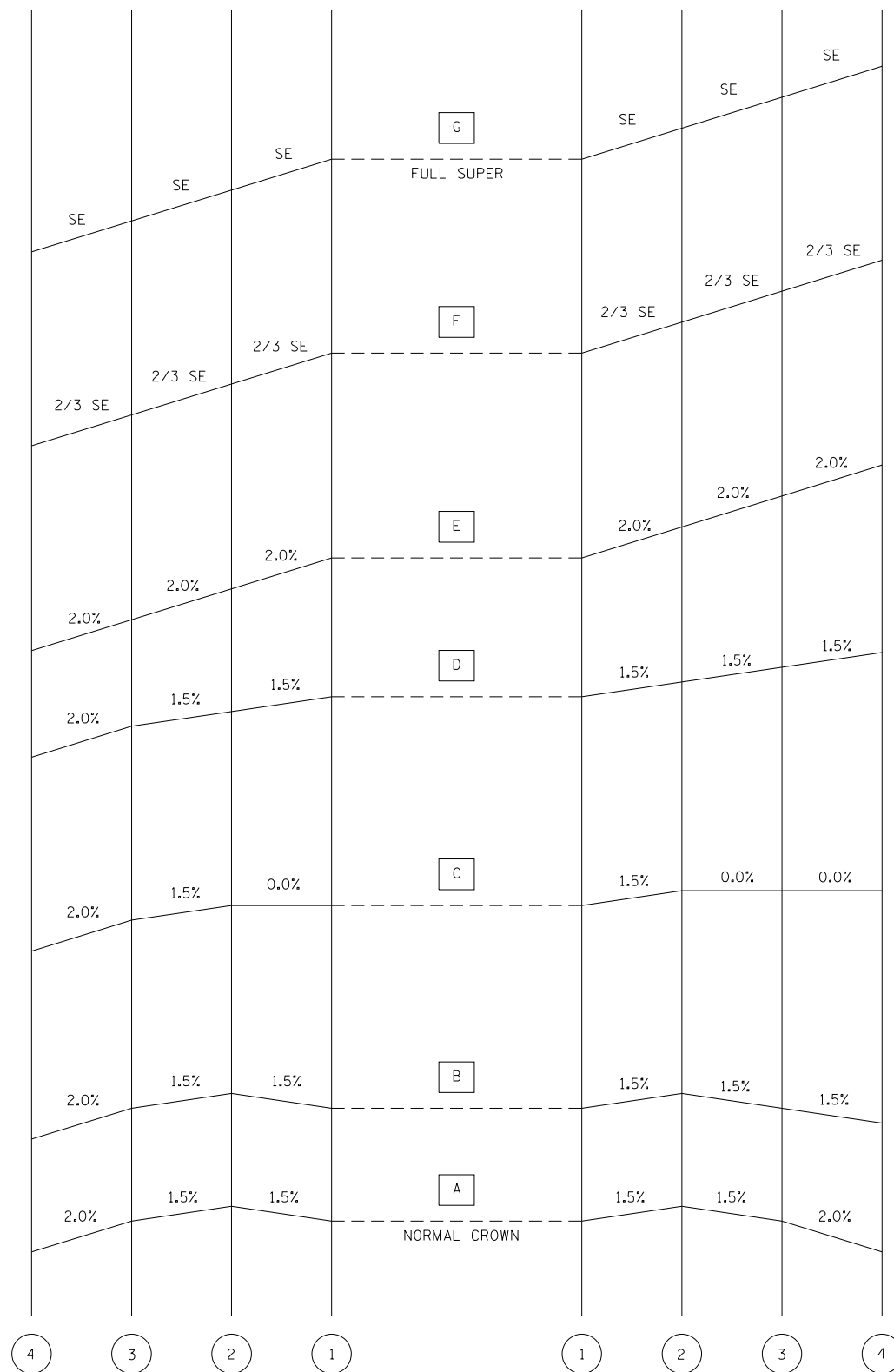


USER NAME = sparksgw	DESIGNED - BTM	REVISED -	STATE OF ILLINOIS DEPARTMENT OF TRANSPORTATION	PLAN SHEETS			F.A.I. RTE.	SECTION	COUNTY	TOTAL SHEETS	SHEET NO.	
PLOT SCALE = 100.0000' / in.	DRAWN - BTM	REVISED -		SCALE:	SHEET NO.	OF SHEETS	STA.	TO STA.	*	SANGAMON	194	53
PLOT DATE = Sep-06-2013 08:24:19AM	CHECKED - JSA	REVISED -							* (84-10-1)RS-3, (84-10-2)RS-4	CONTRACT NO. 72C90		
	DATE - 12/19/12	REVISED -							ILLINOIS FED. AID PROJECT			

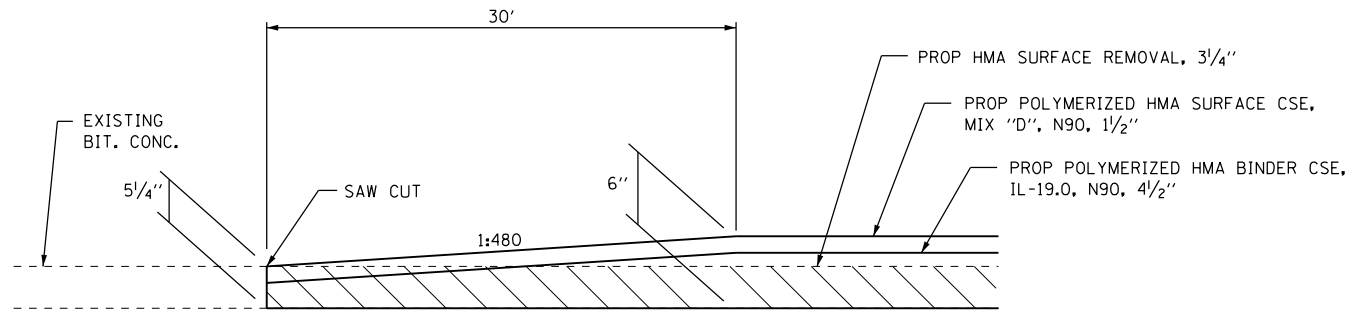
FILE NAME = c:\pwork\pwork\sparksgw\0330228\0672C90.sht.pln25.dgn



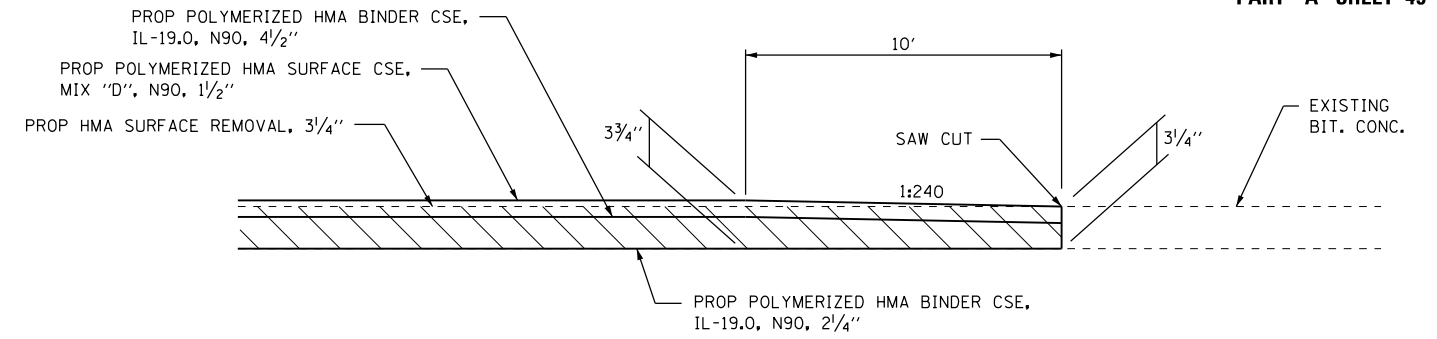
USER NAME = sparksgw PLOT SCALE = 2.0000' / in. PLOT DATE = Sep-06-2013 08:25:00AM	DESIGNED - BTM	REVISED -	STATE OF ILLINOIS DEPARTMENT OF TRANSPORTATION	SUPERELEVATION TRANSITION DETAILS			F.A.I. RTE.	SECTION	COUNTY	TOTAL SHEETS	SHEET NO.	
	DRAWN - BTM	REVISED -					I-72	*	SANGAMON	194	54	
	CHECKED - JSA	REVISED -		SCALE:			SHEET NO.	OF	SHEETS	STA.	TO	STA.
	DATE - 12/19/12	REVISED -										
* (84-10-1)RS-3, (84-10-2)RS-4 ILLINOIS FED. AID PROJECT												



USER NAME = sparksgw PLOT SCALE = 2.0000' / in. PLOT DATE = Sep-06-2013 08:25:19AM		DESIGNED - BTM DRAWN - BTM CHECKED - JSA DATE - 12/19/12		REVISED - REVISED - REVISED - REVISED -		STATE OF ILLINOIS DEPARTMENT OF TRANSPORTATION		SUPERELEVATION TRANSITION DETAILS				F.A.I. RTE. I-72 SECTION * * (84-10-1)RS-3, (84-10-2)RS-4		COUNTY SANGAMON CONTRACT NO. 72C90		TOTAL SHEETS 194 SHEET NO. 55	
SCALE:		SHEET NO. OF SHEETS		STA. TO STA.		ILLINOIS FED. AID PROJECT											

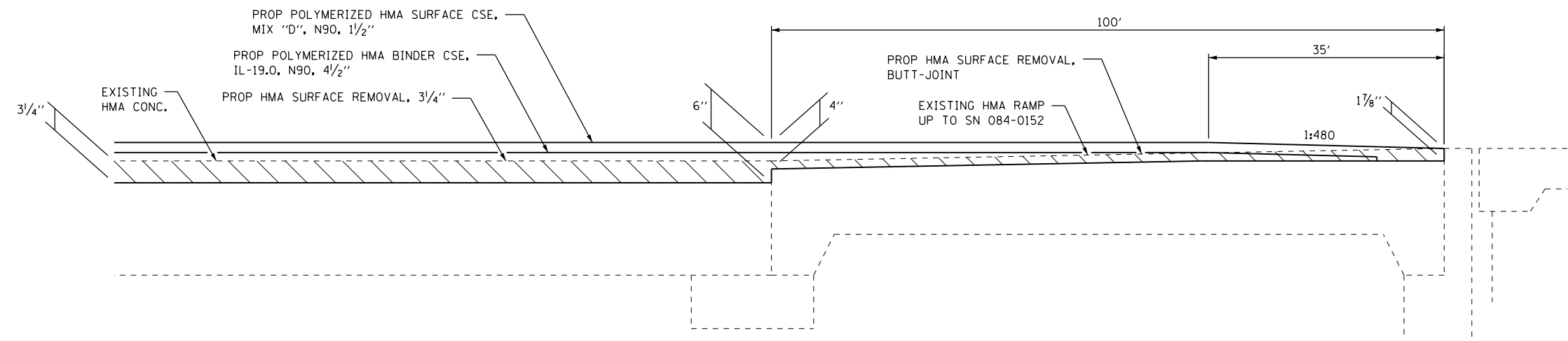


BUTT JOINT DETAIL I-72
STA. 20+48.80 TO 20+78.80 EB & WB

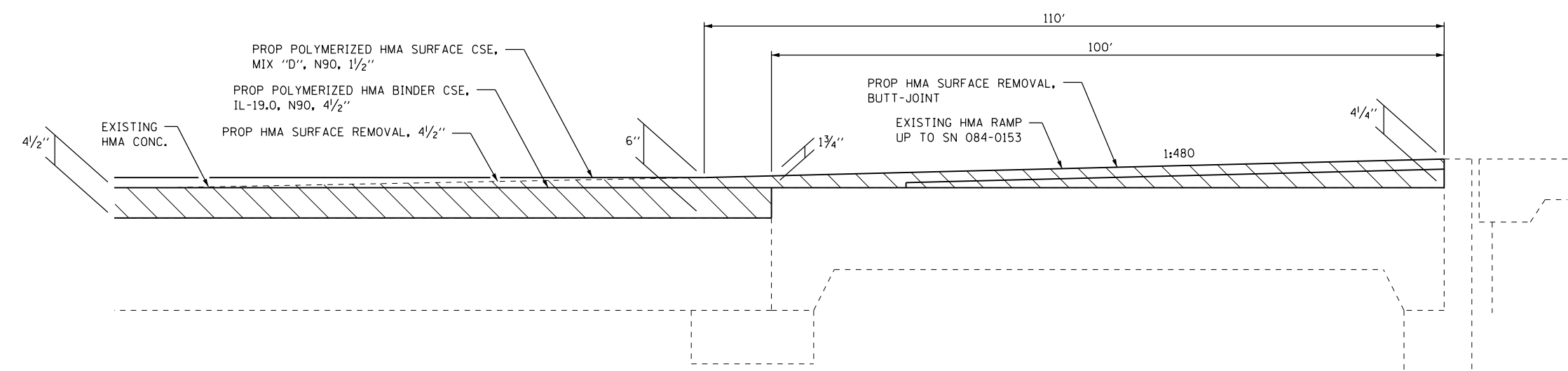


HMA RAMP DETAIL I-72 INTERCHANGE RAMPS

- STA. 118+80.80 TO STA. 118+90.80 RAMP A MECHANICSBURG RD.
- STA. 201+54.20 TO STA. 201+64.20 RAMP B MECHANICSBURG RD.
- STA. 318+92.40 TO STA. 319+02.40 RAMP C MECHANICSBURG RD.
- STA. 401+35.20 TO STA. 401+45.20 RAMP D MECHANICSBURG RD.
- STA. 119+32.20 TO STA. 119+42.20 RAMP A TR 420
- STA. 201+37.60 TO STA. 201+47.60 RAMP B TR 420
- STA. 317+83.20 TO STA. 317+93.20 RAMP C TR 420
- STA. 401+37.90 TO STA. 401+47.90 RAMP D TR 420



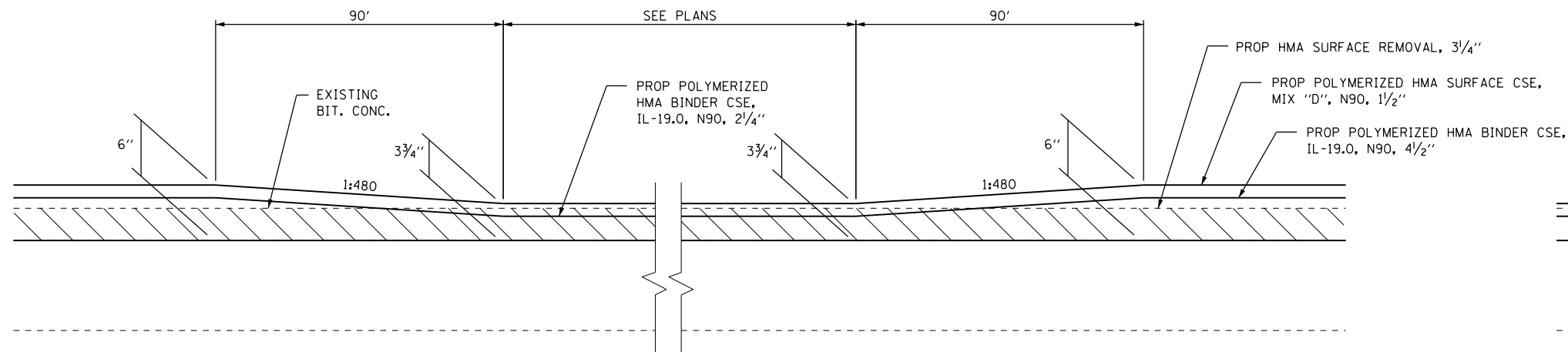
BUTT JOINT DETAIL WB, W. ABUTMENT, SN 084-0152, I-72
STA. 193+02.00 TO 193+37.00 WB



BUTT JOINT DETAIL EB, W. ABUTMENT, SN 084-0153, I-72
STA. 192+10.00 TO 193+20.00 EB

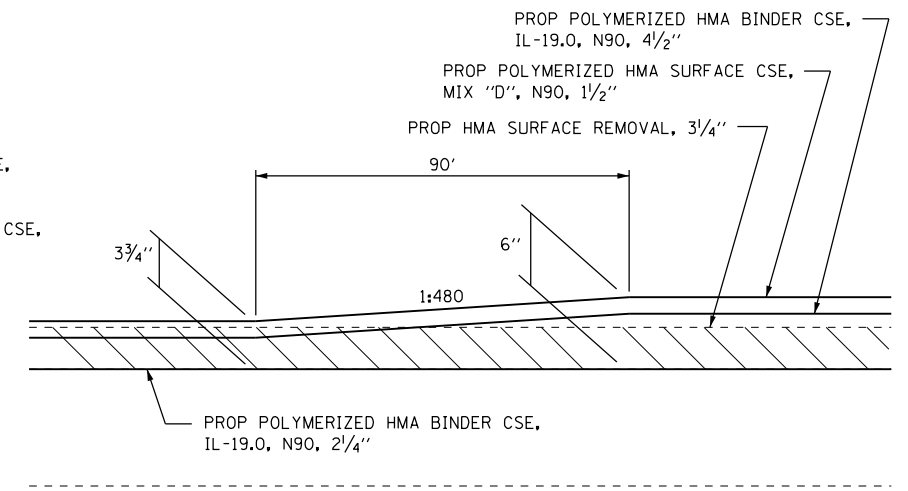
USER NAME = sparksgw	DESIGNED - BTM	REVISED -	STATE OF ILLINOIS DEPARTMENT OF TRANSPORTATION	BUTT JOINT & RAMP DETAILS			F.A.I. RTE.	SECTION	COUNTY	TOTAL SHEETS	SHEET NO.
PLOT SCALE = 2.0000' / in.	DRAWN - BTM	REVISED -					I-72	*	SANGAMON	194	56
PLOT DATE = Sep-06-2013 08:26:00AM	CHECKED - JSA	REVISED -		SCALE:	SHEET NO.	OF SHEETS	STA.	TO STA.	* (84-10-1)RS-3, (84-10-2)RS-4 CONTRACT NO. 72C90		
	DATE - 12/19/12	REVISED -		ILLINOIS FED. AID PROJECT							

FILE NAME = c:\pwork\pwork\dot\sparksgw\0330228\0672C90-Sht-Bt Jt Detail.dgn



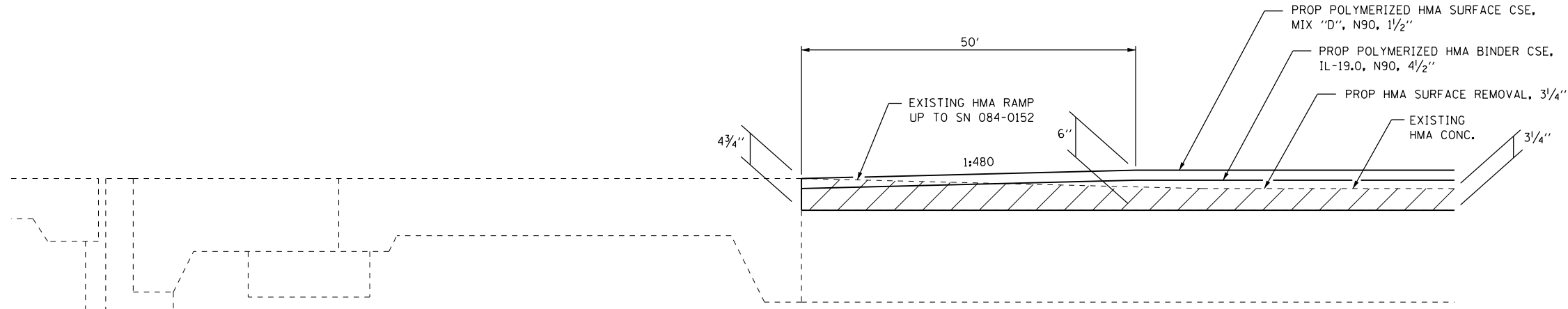
HMA RAMP DETAIL I-72

STA. 46+70.00 TO STA. 51+00.00 WB STA. 46+52.00 TO STA. 50+82.00 EB
 STA. 158+80.00 TO STA. 163+00.00 WB STA. 159+03.00 TO STA. 163+33.00 EB
 STA. 267+08.00 TO STA. 271+38.00 WB STA. 267+08.00 TO STA. 271+38.00 EB



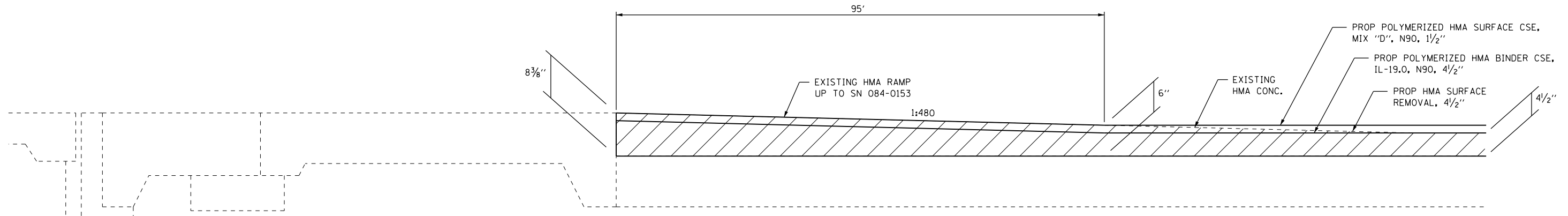
HMA RAMP DETAIL I-72 INTERCHANGE RAMP

STA. 106+62 TO STA. 107+52 RAMP A MECHANICSBURG RD.
 STA. 214+00 TO STA. 214+90 RAMP B MECHANICSBURG RD.
 STA. 306+62 TO STA. 307+52 RAMP C MECHANICSBURG RD.
 STA. 411+88 TO STA. 412+78 RAMP D MECHANICSBURG RD.
 STA. 106+62 TO STA. 107+52 RAMP A TR 420
 STA. 212+52 TO STA. 213+42 RAMP B TR 420
 STA. 306+62 TO STA. 307+52 RAMP C TR 420
 STA. 410+75 TO STA. 411+65 RAMP D TR 420



BUTT JOINT DETAIL WB, E. ABUTMENT, SN 084-0152, I-72

STA. 202+88.00 TO 203+38.00 WB

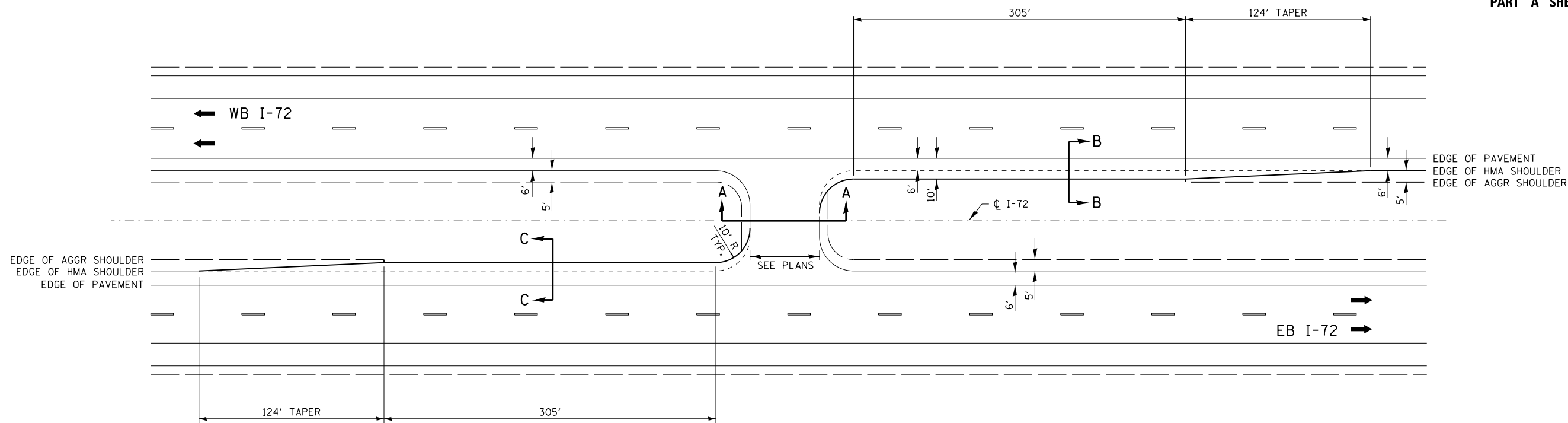


BUTT JOINT DETAIL EB, E. ABUTMENT, SN 084-0153, I-72

STA. 202+74.00 TO 203+69.00 EB

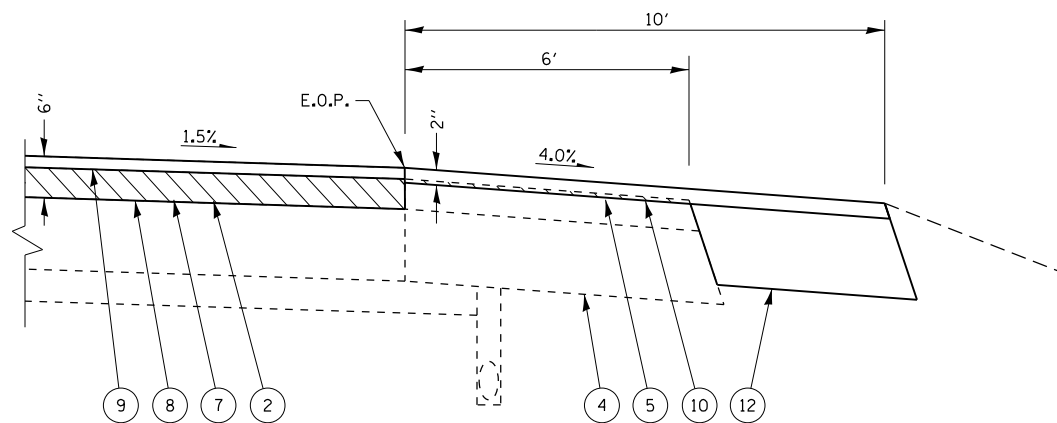
USER NAME = sparksgw	DESIGNED - BTM	REVISED -	STATE OF ILLINOIS DEPARTMENT OF TRANSPORTATION	BUTT JOINT & RAMP DETAILS			F.A.I. RTE.	SECTION	COUNTY	TOTAL SHEETS	SHEET NO.
PLOT SCALE = 2.0000' / in.	DRAWN - BTM	REVISED -					I-72	*	SANGAMON	194	57
PLOT DATE = Sep-06-2013 08:26:19AM	CHECKED - JSA	REVISED -		SCALE:	SHEET NO.	OF SHEETS	STA.	TO STA.	* (84-10-1)RS-3, (84-10-2)RS-4 CONTRACT NO. 72C90		
	DATE - 12/19/12	REVISED -		ILLINOIS FED. AID PROJECT							

FILE NAME = c:\pwwork\pwwork\sparksgw\d0330228\0672C90-Sht-Bt Jt Detail.dgn



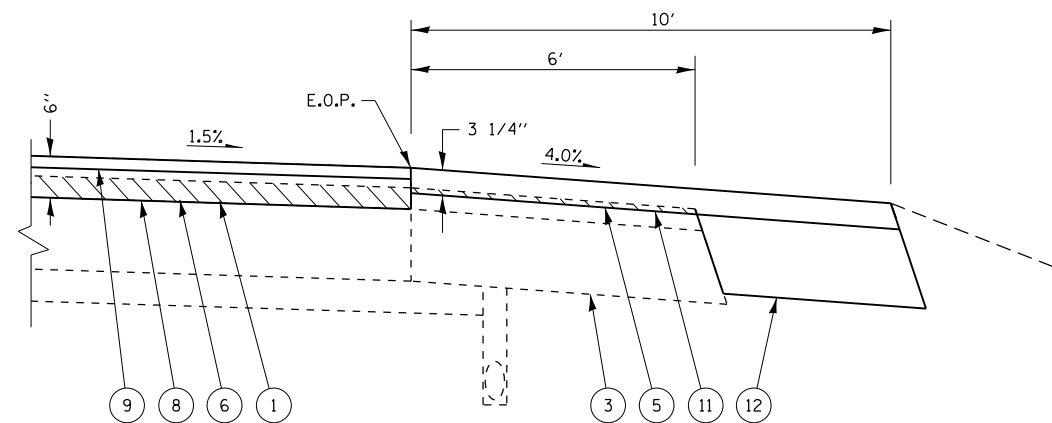
PLAN VIEW

STA. 79+95.21
STA. 241+36.90



SECTION B - B

STA. 79+95.21 WB
STA. 241+36.90 WB

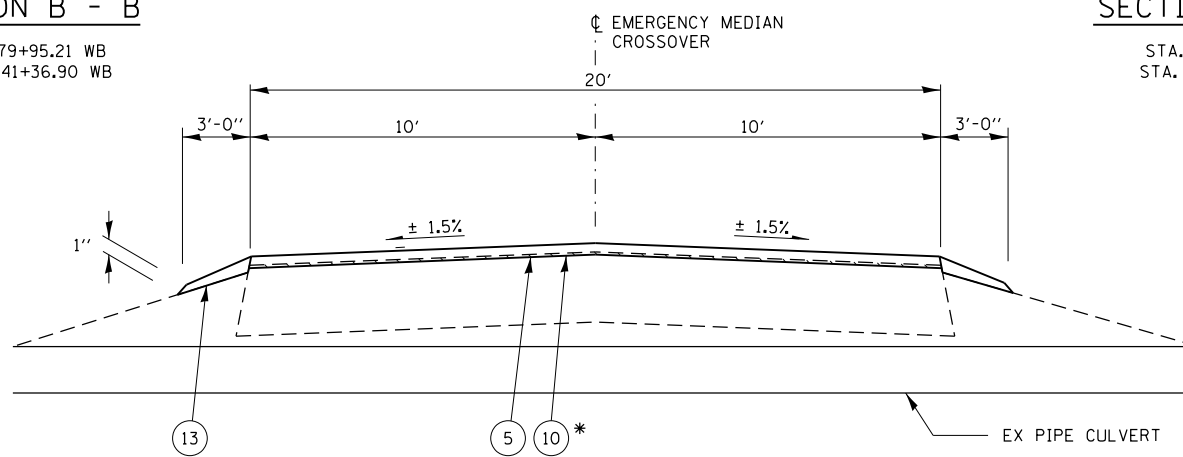


SECTION C - C

STA. 79+95.21 EB
STA. 241+36.90 EB

LEGEND

- 1 EXIST HMA CONCRETE, 3 1/4"
- 2 EXIST HMA CONCRETE, 4 1/2"
- 3 EXIST HMA SHOULDER, 11 1/4"
- 4 EXIST HMA SHOULDER, 12 1/2"
- 5 PROP HMA SURFACE REMOVAL, 1/2"
- 6 PROP HMA SURFACE REMOVAL, 3 1/4"
- 7 PROP HMA SURFACE REMOVAL, 4 1/2"
- 8 PROP POLYMERIZED HMA BINDER COURSE, IL 19.0, N90, 4 1/2"
- 9 PROP POLYMERIZED HMA SURFACE COURSE, MIX "D", N90, 1 1/2"
- 10 PROP HMA SHOULDERS, 2"
- 11 PROP HMA SHOULDERS, 3 1/4"
- 12 PROP HMA BASE COURSE, 10"
- 13 PROP AGGR WEDGE SHOULDER, TYPE B



SECTION A - A

* THICKNESS VARIES FROM 2" TO 2 3/4"
STA. 79+95.91, STA. 241+36.90

NOT TO SCALE

USER NAME = sparksgw PLOT SCALE = 2.0000' / in. PLOT DATE = Sep-06-2013 08:27:41AM	DESIGNED - BTM	REVISED -	STATE OF ILLINOIS DEPARTMENT OF TRANSPORTATION	EMERGENCY MEDIAN CROSSOVER DETAIL			F.A.I. RTE.	SECTION	COUNTY	TOTAL SHEETS	SHEET NO.
	DRAWN - BTM	CHECKED - JSA		REVISED -	SCALE:	SHEET NO.	OF SHEETS	STA.	TO STA.	*	SANGAMON
DATE - 12/19/12	REVISED -	REVISED -				* (84-10-1)RS-3, (84-10-2)RS-4	CONTRACT NO. 72C90	ILLINOIS FED. AID PROJECT			

STATE OF ILLINOIS
DEPARTMENT OF TRANSPORTATION
DIVISION OF HIGHWAYS

**PROPOSED
HIGHWAY PLANS**

FAI 72 (I-72)
SECTION 84-10-1RS-3, 84-10-2RS-4)BR,I
PROJECT
HMA RESURFACING, BRIDGE REHABILITATION
SANGAMON COUNTY



LOCATION OF SECTION INDICATED THUS: - ■ -

STATE OF ILLINOIS
DEPARTMENT OF TRANSPORTATION
DIVISION OF HIGHWAYS

SUBMITTED _____ 20 _____

DEPUTY DIRECTOR OF HIGHWAYS, REGION ENGINEER
_____ 20 _____

ENGINEER OF DESIGN AND ENVIRONMENT
_____ 20 _____

DIRECTOR OF HIGHWAYS, CHIEF ENGINEER
_____ 20 _____

**PRINTED BY THE AUTHORITY
OF THE STATE OF ILLINOIS**

JEFFREY S. ANTONACCI
062-048904
LICENSED PROFESSIONAL ENGINEER
OF ILLINOIS

2501 Chatham Road, Suite 120
Springfield, Illinois 62704
(217) 698-8610
(217) 698-8608 (fax)

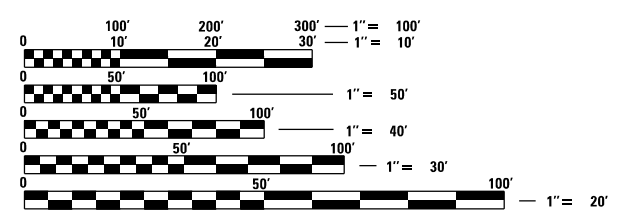
DATE: _____
LICENSE EXP. 11/30/2013

INDEX OF SHEETS

1	COVER SHEET
2	GENERAL NOTES AND COMMITMENTS
3-11	SUMMARY OF QUANTITIES
12-16	TYPICAL SECTIONS
17-25	SCHEDULES
26	ALIGNMENT, TIES, AND BENCHMARKS
27-33	PLAN AND PROFILE SHEETS
34-39	MEDIAN & ISLAND DETAILS
40-52	MAINTENANCE OF TRAFFIC PLANS
53-54	DOWELLED MEDIAN DETAIL
55-81	BRIDGE PLANS 084-0150 (CH-12)
82-89	BRIDGE PLANS 084-0151 (TR-171)
90-114	BRIDGE PLANS 084-0154 (TR-420)
115-116	SUPERELEVATION DETAILS
117	BUTT JOINT AND HMA RAMP DETAILS
118	BRIDGE APPROACH PAVEMENT CONNECTOR DETAIL
119	MISCELLANEOUS DETAILS
120-136	CROSS SECTIONS

HIGHWAY STANDARDS

000001-06	701401-07
001001-02	701406-07
001006	701411-08
442001-04	701421-05
442101-07	701422-05
442201-03	701446-04
635001-01	701451-01
642001-02	701456-02
701101-03	701502-05
701106-02	701901-02
701201-04	780001-03
701306-03	781001-03
701321-13	
701400-06	



FULL SIZE PLANS HAVE BEEN PREPARED USING STANDARD ENGINEERING SCALES. REDUCED SIZED PLANS WILL NOT CONFORM TO STANDARD SCALES. IN MAKING MEASUREMENTS ON REDUCED PLANS, THE ABOVE SCALES MAY BE USED.

J.U.L.I.E.
JOINT UTILITY LOCATION INFORMATION FOR EXCAVATION
1-800-892-0123
OR 811

SENIOR TEAM ENGINEER : VINCE MADONIA (217) 785-9046
TEAM ENGINEER : VICTOR YOUNG (217) 524-0472
CONTRACT NO. 72C90

SN 084-0154
STA. 299 + 80.31 TR 420 =
STA. 269 + 23.08 FAI 72

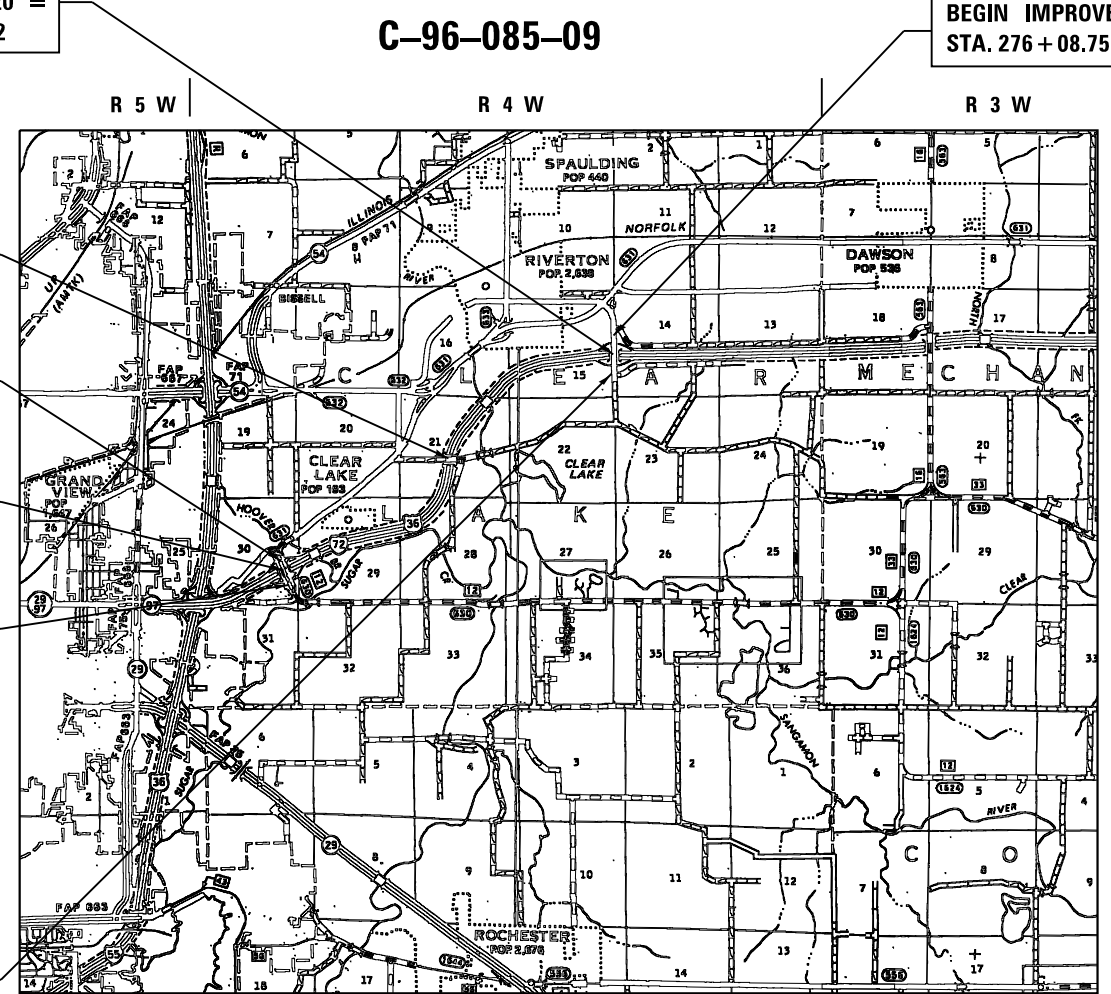
SN 084-0151
STA. 200 + 00.00 TR 171 =
STA. 161 + 04.98 FAI 72

BEGIN IMPROVEMENT
STA. 85.48.50 CH 12

SN 084-0150
STA. 100 + 01.88 MECHANICSBURG RD. =
STA. 48 + 76.46 FAI 72

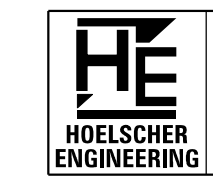
END IMPROVEMENT
STA. 112 + 26.46 CH 12

END IMPROVEMENT
STA. 313 + 50.00 TR 420



FAI 72	CH 12 (MECHANICSBURG RD.)	TR 171 (OAK CREST RD.)	TR 420 (OVERPASS RD.)
FUNCTION CLASS=INTERSTATE	FUNCTION CLASS= OTHER PRINCIPAL Arterial	FUNCTION CLASS=LOCAL ROAD	FUNCTION CLASS=LOCAL ROAD
A.D.T. (2012) 13,500	A.D.T. (2012) 4450	A.D.T. (2012) 2000	A.D.T. (2012) 2150
SU (2012) 610	SU 310	SU 180	SU 150
MU (2012) 1,430	MU 220	MU 60	MU 110
PV (2012) 11,460	PV 3920	PV 1760	PV 1890

NET LENGTH OF CH 12 (MACHANICSBURG RD.) = 1,6300.00 FT = 0.309 MILES
NET LENGTH OF TR 420 (OVERPASS RD.) = 1,589.02 FT = 0.301 MILES
TOTAL LENGTH OF PROJECT = 17,889.02 FT = 3.388 MILES



GENERAL NOTES

1. THE STANDARDS INCLUDED IN THE BACK OF THESE PLANS SHALL APPLY TO THIS PROJECT.
2. THESE PLANS HAVE BEEN PREPARED USING STANDARD SYMBOLS AS INDICATED IN THESE PLANS, AND THEY SHALL TAKE PRECEDENCE OVER THOSE SHOWN ON STARNDARD 000001-06 IF THERE IS A CONFLICT.
3. EXISTING RAISED REFLECTIVE PAVEMENT MARKERS SHALL BE REMOVED PRIOR TO RESURFACING.
4. THE CONTRACTOR SHALL VERIFY ALL DIMENSIONS AND CONDITIONS IN THE FIELD PRIOR TO CONSTRUCTION AND ORDERING OF MATERIALS.
5. THE CONTRACTOR SHALL PROTECT UTILITY PROPERTY FROM CONSTRUCTION OPERATIONS AS OUTLINED IN ARTICLE 107.31 OF THE STANDARD SPECIFICATIONS. AGENCIES KNOWN TO HAVE FACILITIES WITHIN THE PROJECT AREA ARE AS FOLLOWS:

J.U.L.I.E. 1-800-892-0123

ILLINOIS STATE LAW REQUIRES A 48-HOUR NOTICE BE GIVEN TO ALL UTILITIES BEFORE DIGGING. FIELD MARKING OF FACILITIES MAY BE OBTAINED BY CONTACTING J.U.L.I.E. OR FOR NON-MEMBERS, BY CONTACTING THE UTILITY COMPANY DIRECTLY.

IT IS UNDERSTOOD AND AGREED THAT THE CONTRACTOR HAS TAKEN THE FOREGOING INTO CONSIDERATION IN SUBMITTING HIS BID, AND NO ADDITIONAL COMPENSATION WILL BE ALLOWED FOR ANY DELAYS OR INCONVENIENCES CAUSED BY THE SAME.

THE INFORMATION AND DATA SHOWN OR INDICATED ON THESE IMPROVEMENT PLANS WITH RESPECT TO EXISTING UNDERGROUND FACILITIES AND UTILITIES AT OR CONTIGUOUS TO THE SITE IS BASED ON INFORMATION AND DATA FURNISHED BY THE OWNERS OF SUCH UNDERGROUND FACILITIES AND UTILITIES OR BY OTHERS, FIELD MARKINGS OF FACILITIES IN CRITICAL AREAS MAY BE OBTAINED BY PROVIDING A MINIMUM OF 96 HOURS ADVANCE NOTICE TO THE RESIDENT ENGINEER SO THAT UTILITIES CAN BE GIVEN NOTICE. NO GUARANTEE IS IMPLIED AS TO THE ACCURACY OR COMPLETENESS OF ANY SUCH INFORMATION OR DATA; AND CONTRACTOR SHALL HAVE FULL RESPONSIBILITY FOR i) REVIEWING AND CHECKING ALL SUCH INFORMATION AND DATA, (ii) VERIFYING IF ANY CONFLICTS EXIST WITH THE PROPOSED WORKED AND UNDERGROUND FACILITIES AND UTILITIES SHOWN OR INDICATED ON THE IMPROVEMENT PLANS; (iii) COORDINATION OF THE WORK WITH THE OWNERS OF SUCH UNDERGROUND FACILITIES AND UTILITIES DURING CONSTRUCTION, AND (iv) THE SAFETY AND PROTECTION OF ALL SUCH UNDERGROUND FACILITIES AND UTILITIES AND REPAIR ANY DAMAGE THERETO RESULTING FROM THE WORK AT HIS EXPENSE.

6. FULL DEPTH SAW CUTTING ON ALL EDGES FOR REMOVAL ITEMS SHALL BE INCLUDED IN THE COST OF THE REMOVAL ITEM AS INDICATED AND IN ACCORDANCE WITH SECTION 440 OF THE STANDARD SPECIFICATIONS.
7. FOR STABILIZATION, ALL TYPE III BARRICADES SHALL REQUIRE A MINIMUM OF FOUR SANDBAGS PER BARRICADE.
8. ALL AREAS DISTURBED BEYOND THE CONSTRUCTION LIMITS FOR ANY REASON SHALL BE SEEDED WITH CLASS 2 SEEDING, AS DIRECTED BY THE ENGINEER. NUTRIENTS SHALL CONFORM TO ARTICLE 250.04. FINAL SEEDING SHALL BE PERFORMED AS SOON AS POSSIBLE. THESE AREAS WILL NOT BE MEASURED FOR PAYMENT.
9. THE THICKNESS OF HMA MIXTURES SHOWN ON THE PLANS IS THE NOMINAL THICKNESS. DEVIATIONS FROM THE NOMINAL THICKNESS WILL BE PERMITTED WHEN SUCH DEVIATIONS OCCUR DUE TO IRREGULARITIES IN THE EXISTING SURFACE OF BASE ON WHICH THE HMA MIXTURE IS PLACED.
10. THE ENGINEER WILL BE THE SOLE JUDGE CONCERNING CURING TIME FOR THE VARIOUS HMA LIFTS.

GENERAL NOTES (CONT.)

11. APPLICATION RATES FOR VARIOUS PAVING ITEMS ARE AS FOLLOWS:
 HOT MIX ASPHALT:
 BITUMINOUS MATERIALS (PRIME COAT) 0.00038 TON/SY PAVED SURFACES
 0.0019 TON/SY AGGREGATE SURFACES
 LEVELING BINDER AND HOT-MIX ASPHALT SURFACE COURSE 112 LBS/SY•IN
 AGGREGATES:
 AGGREGATE (SURFACE, BASE, SUBBASE, OR BACKFILL) 2.05 TONS/CY
12. WHERE SECTION OR SUBSECTION MONUMENTS ARE ENCOUNTERED, THE ENGINEER SHALL BE NOTIFIED BEFORE SUCH MONUMENTS ARE REMOVED. THE CONTRACTOR SHALL PROTECT AND CAREFULLY PRESERVE ALL MONUMENTS UNTIL AN AUTHORIZED SURVEYOR OR AGENT HAS WITNESSED OR OTHERWISE REFERENCED THEIR LOCATION. THE CONTRACTOR SHALL BE RESPONSIBLE FOR HAVING AN AUTHORIZED SURVEYOR REESTABLISH ANY SECTION OR SUBSECTIONN MONUMENTS DESTROYED BY HIS/HER OPERATIONS.
13. HOT-MIX ASPHALT RESURFACING OF THE EXISTING PAVEMENT AND SHOULDERS SHALL BE DONE IN A MANNER THAT PROVIDES A MINIMUM VERTICAL CLEARANCE OF 16.0' AT ALL OVERHEAD STRUCTURES. THE MINIMUM VERTICAL CLEARANCE SHALL BE MAINTAINED FROM OUTSIDE TO OUTSIDE OF THE PAVED SHOULDERS.

PRIOR TO RESURFACING ACTIVITIES, THE CONTRACTOR AND THE ENGINEER SHALL VERIFY AND DOCUMENT THE EXISTING MINIMUM VERTICAL CLEARANCE AT ALL OVERHEAD STRUCTURES. IF NECESSARY, THE ENGINEER WILL MAKE ADJUSTMENTS TO THE RESURFACING THICKNESS SHOWN ON THE PLANS. UPON COMPLETION OF THE RESURFACING, THE ENGINEER WILL MEASURE AND DOCUMENT THE MINIMUM VERTICAL CLEARANCE AT ALL OVERHEAD STRUCTURES. IF THE MINIMUM VERTICAL CLEARANCE IS LESS THAN 16'-0", THE CONTRACTOR SHALL REMOVE AND REPLACE THE BITUMINOUS CONCRETE SURFACE COURSE AS DIRECTED BY THE ENGINEER. THE COST OF THE WORK OR ANY INCONVENIENCE CAUSED BY COMPLYING WITH THIS REQUIREMENT WILL NOT BE PAID FOR SEPARATELY, BUT SHALL BE INCLUDED IN THE COST FOR RESURFACING PAY ITEMS IN THIS CONTRACT.

COMMITMENTS

1. THE RESIDENT ENGINEER SHALL CONTACT STUDIES & PLANS CONCERNING ANY MAJOR PLAN CHANGES.

MIXTURE REQUIREMENTS

LOCATIONS	I-72 & RAMPS	I-72 & RAMPS	INTERSTATE SHOULDERS	INTERSTATE SHOULDERS	TR 420 AND CH 12
MIXTURE USE(S):	HMA SURFACE	HMA BINDER	HMA SHLD (LOWER LIFTS)	HMA SHLD (TOP LIFT)	HMA SURFACE
PG:	SBS PG 70-22	SBS PG 70-22	PG 64-22	PG 64-22	PG 64-22
DESIGN AIR VOIDS:	4.0% @ N90	4.0% @ N90	4.0% @ N50	4.0% @ N50	4.0% @ N70
MIXTURE COMPOSITION (GRADATION MIXTURE)	IL 9.5	IL 19.0FG	IL 19.0	IL 9.0 OR 12.5	IL 9.5
FRICTION AGGREGATE:	MIX D	N/A	N/A	MIX C	MIX C

USER NAME = sparksgw	DESIGNED - BTM	REVISED -	STATE OF ILLINOIS DEPARTMENT OF TRANSPORTATION	GENERAL NOTES AND COMMITMENTS			F.A.I. RTE.	SECTION	COUNTY	TOTAL SHEETS	SHEET NO.
PLOT SCALE = 2.0000' / in.	DRAWN - BTM	REVISED -					1722	*	SANGAMON	194	60
PLOT DATE = Sep-06-2013 08:58:27AM	CHECKED - JSA	REVISED -		SCALE: SHEET NO. OF SHEETS STA. TO STA.			* (84-10-1RS-3,84-10-2RS-4)BR,I		CONTRACT NO. 72C90		
	DATE - 12/19/12	REVISED -					ILLINOIS FED. AID PROJECT		(84-10-1,2)RS-3 & (84-10-2)RS-4		

CODE NO.	ITEM	UNIT	TOTAL QUANTITY	CONSTRUCTION CODE			
				90% FED 10% STATE ROADWAY	90% FED 10% STATE BRIDGE	90% FED 10% STATE BRIDGE	90% FED 10% STATE BRIDGE
				0004	0014	0014	0014
				NONE	S.N. 084-0150	S.N. 084-0151	S.N. 084-0154
20200100	EARTH EXCAVATION	CU YD	514	514			
20400800	FURNISHED EXCAVATION	CU YD	573	573			
20700110	POROUS GRANULAR EMBANKMENT	TON	50		25		25
20800150	TRENCH BACKFILL	CU YD	46	46			
25000200	SEEDING, CLASS 2	ACRE	0.9	0.9			
25000400	NITROGEN FERTILIZER NUTRIENT	POUND	90	90			
25000500	PHOSPHORUS FERTILIZER NUTRIENT	POUND	90	90			
25000600	POTASSIUM FERTILIZER NUTRIENT	POUND	90	90			
25000700	AGRICULTURAL GROUND LIMESTONE	TON	2	2			
25100115	MULCH, METHOD 2	ACRE	0.9	0.9			
28000250	TEMPORARY EROSION CONTROL SEEDING	POUND	100	100			
28000400	PERIMETER EROSION BARRIER	FOOT	2754	2754			
28100107	STONE RIPRAP, CLASS A4	SQ YD	736	736			
28200200	FILTER FABRIC	SQ YD	736	736			

* ITEM REQUIRES SPECIAL PROVISION

USER NAME = sparksgw	DESIGNED - BTM	REVISED -	STATE OF ILLINOIS DEPARTMENT OF TRANSPORTATION	SUMMARY OF QUANTITIES				F.A.I. RTE.	SECTION	COUNTY	TOTAL SHEETS	SHEET NO.
PLOT SCALE = 2.0000' / in.	DRAWN - BTM	REVISED -						1722	*	SANGAMON	194	61
PLOT DATE = Sep-06-2013 08:59:40AM	CHECKED - JSA	REVISED -		SCALE:	SHEET NO.	OF SHEETS	STA.	TO STA.	CONTRACT NO. 72C90			
DATE - 12/19/12	REVISD -	REVISED -						ILLINOIS FED. AID PROJECT				

CODE NO.	ITEM	UNIT	TOTAL QUANTITY	CONSTRUCTION CODE			
				90% FED 10% STATE ROADWAY	90% FED 10% STATE BRIDGE	90% FED 10% STATE BRIDGE	90% FED 10% STATE BRIDGE
				0004	0014	0014	0014
				NONE	S.N. 084-0150	S.N. 084-0151	S.N. 084-0154
31101000	SUBBASE GRANULAR MATERIAL, TYPE B	TON	552.1	552.1			
35501319	HOT-MIX ASPHALT BASE COURSE, 8 3/4"	SQ YD	728	728			
35501341	HOT-MIX ASPHALT BASE COURSE, 14 1/4"	SQ YD	715	715			
X4060115	POLYMERIZED BITUMINOUS MATERIALS (PRIME COAT)	POLIND	16,696	16,696			
40600300	AGGREGATE (PRIME COAT)	TON	26.8	26.8			
40600837	POLYMERIZED LEVELING BINDER (MACHINE METHOD), N70	TON	687	687			
40600895	CONSTRUCTING TEST STRIP	EACH	2	2			
40600982	HOT-MIX ASPHALT SURFACE REMOVAL - BUTT JOINT	SQ YD	352	352			
40600990	TEMPORARY RAMP	SQ YD	725	725			
40603235	POLYMERIZED HOT-MIX ASPHALT BINDER COURSE, IL-19.0, N70	TON	2308	2308			
40603240	POLYMERIZED HOT-MIX ASPHALT BINDER COURSE, IL-19.0, N90	TON	741	741			
40603515	POLYMERIZED HOT-MIX ASPHALT SURFACE COURSE, MIX "C", N70	TON	1200	1200			
40603545	POLYMERIZED HOT-MIX ASPHALT SURFACE COURSE, MIX "D", N90	TON	378	378			
42001430	BRIDGE APPROACH PAVEMENT CONNECTOR (FLEXIBLE)	SQ YD	75	75			

Rev.

* ITEM REQUIRES SPECIAL PROVISION

USER NAME : sparksgv PLOT SCALE : 2.0000' / 1" = 1' PLOT DATE : Sep-06-2012 09:08:24AM	DESIGNED - BTM DRAWN - BTM CHECKED - JSA DATE - 12/19/12	REVISED - REVISED - REVISED - REVISED -	STATE OF ILLINOIS DEPARTMENT OF TRANSPORTATION	SUMMARY OF QUANTITIES SCALE: SHEET NO. OF SHEETS STA. TO STA.	F.A.I. RTE. 1722 SECTION * COUNTY SANGAMON TOTAL SHEETS 194 SHEET NO. 62 * (84-10-1RS-3,84-10-2RS-4)BR. I ILLINOIS FED. AID PROJECT CONTRACT NO. 72C90
--	---	--	---	---	---

CODE NO.	ITEM	UNIT	TOTAL QUANTITY	CONSTRUCTION CODE			
				90% FED 10% STATE	90% FED 10% STATE	90% FED 10% STATE	90% FED 10% STATE
				ROADWAY	BRIDGE	BRIDGE	BRIDGE
				0004	0014	0014	0014
				S.N. 084-0150	S.N. 084-0151	S.N. 084-0154	
42001500	P.C. CONCRETE BRIDGE APPROACH SHOULDER PAVEMENT	SQ YD	134	134			
44000100	PAVEMENT REMOVAL	SQ YD	736	736			
44000152	HOT-MIX ASPHALT SURFACE REMOVAL, 3/4"	SQ YD	11354	11354			
44000155	HOT-MIX ASPHALT SURFACE REMOVAL, 1 1/2"	SQ YD	4818	4818			
44000159	HOT-MIX ASPHALT SURFACE REMOVAL, 2 1/2"	SQ YD	2863	2863			
44000162	HOT-MIX ASPHALT SURFACE REMOVAL, 3 1/4"	SQ YD	4392	4392			
44000500	COMBINATION CURB AND GUTTER REMOVAL	FOOT	6956.4	6956.4			
44003100	MEDIAN REMOVAL	SQ FT	633.2	633.2			
44201741	CLASS D PATCHES, TYPE II, 8 INCH	SQ YD	95	95			
44201745	CLASS D PATCHES, TYPE III, 8 INCH	SQ YD	70	70			
44201747	CLASS D PATCHES, TYPE IV, 8 INCH	SQ YD	100	100			
48101200	AGGREGATE SHOULDERS, TYPE B	TON	957	957			
48203100	HOT-MIX ASPHALT SHOULDERS	TON	1996	1996			
50102400	CONCRETE REMOVAL	CU YD	107.2		99.2	5.4	2.6

* ITEM REQUIRES SPECIAL PROVISION

USER NAME = sparksgw	DESIGNED - BTM	REVISED -	STATE OF ILLINOIS DEPARTMENT OF TRANSPORTATION	SUMMARY OF QUANTITIES				F.A.I. RTE.	SECTION	COUNTY	TOTAL SHEETS	SHEET NO.
PLOT SCALE = 2.0000' / in.	DRAWN - BTM	REVISED -						1722	*	SANGAMON	194	63
PLOT DATE = Sep-06-2013 09:00:55AM	CHECKED - JSA	REVISED -		SCALE:	SHEET NO.	OF SHEETS	STA.	TO STA.	* (84-10-1RS-3,84-10-2RS-4)BR,I CONTRACT NO. 72C90			
PLOT DATE = Sep-06-2013 09:00:55AM	DATE - 12/19/12	REVISED -						ILLINOIS FED. AID PROJECT				

CODE NO.	ITEM	UNIT	TOTAL QUANTITY	CONSTRUCTION CODE			
				90% FED 10% STATE	90% FED 10% STATE	90% FED 10% STATE	90% FED 10% STATE
				ROADWAY 0004	BRIDGE 0014	BRIDGE 0014	BRIDGE 0014
				NONE	S.N. 084-0150	S.N. 084-0151	S.N. 084-0154
50104650	SLOPE WALL REMOVAL	SQ YD	18		10		8
50104720	REMOVAL OF EXISTING CONCRETE DECK	EACH	2		1		1
50105220	PIPE CULVERT REMOVAL	FOOT	236	236			
50157300	PROTECTIVE SHIELD	SQ YD	1405		596	313	496
50300225	CONCRETE STRUCTURES	CU YD	175.6		120.5		55.1
50300255	CONCRETE SUPERSTRUCTURE	CU YD	1572.7		810.9	5.4	756.4
50300260	BRIDGE DECK GROOVING	SQ YD	2794		1247		1547
50300300	PROTECTIVE COAT	SQ YD	5095		2465	26	2604
50400805	FURNISHING AND ERECTING PRECAST PRESTRESSED CONCRETE I-BEAMS, 36 IN.	FOOT	370		370		
50500405	FURNISHING AND ERECTING STRUCTURAL STEEL	POUND	26670		12900		13770
50500505	STUD SHEAR CONNECTORS	EACH	3366		1656		1710
50800205	REINFORCEMENT BARS, EPOXY COATED	POUND	385860		193120	1330	191410
50800515	BAR SPLICERS	EACH	538		284	20	234
51100100	SLOPE WALL 4 INCH	SQ YD	18		10		8

* ITEM REQUIRES SPECIAL PROVISION

USER NAME = sparksgw	DESIGNED - BTM	REVISED -
	DRAWN - BTM	REVISED -
PLOT SCALE = 2.0000' / in.	CHECKED - JSA	REVISED -
PLOT DATE = Sep-06-2013 09:01:30AM	DATE - 12/19/12	REVISED -

**STATE OF ILLINOIS
DEPARTMENT OF TRANSPORTATION**

SUMMARY OF QUANTITIES

SCALE: SHEET NO. OF SHEETS STA. TO STA.

F.A.I. RTE.	SECTION	COUNTY	TOTAL SHEETS	SHEET NO.
1722	*	SANGAMON	194	64
* 184-10-1RS-3,84-10-2RS-4IBR,I			CONTRACT NO. 72C90	
ILLINOIS FED. AID PROJECT				

CODE NO.	ITEM	UNIT	TOTAL QUANTITY	CONSTRUCTION CODE			
				90% FED 10% STATE ROADWAY	90% FED 10% STATE BRIDGE	90% FED 10% STATE BRIDGE	90% FED 10% STATE BRIDGE
				0004	0014	0014	0014
				NONE	S.N. 084-0150	S.N. 084-0151	S.N. 084-0154
51500100	NAME PLATES	EACH	2		1		1
52000110	PREFORMED JOINT STRIP SEAL	FOOT	342		136	72	134
52100010	ELASTOMERIC BEARING ASSEMBLY, TYPE I	EACH	36		18		18
52100520	ANCHOR BOLTS, 1"	EACH	72		36		36
52100530	ANCHOR BOLTS, 1 1/4"	EACH	18		18		
52100540	ANCHOR BOLTS, 1 1/2"	EACH	18				18
54215547	METAL END SECTIONS 12"	EACH	8	8			
58700300	CONCRETE SEALER	SQ FT	2847		2455		392
59300100	CONTROLLED LOW-STRENGTH MATERIAL	CU YD	9		5		4
60260100	INLETS TO BE ADJUSTED	EACH	2	2			
60500305	FILLING INLETS	EACH	6	6			
60608600	COMBINATION CONCRETE CURB AND GUTTER, TYPE M-6.06	FOOT	5494.1	5494.1			
60610400	COMBINATION CONCRETE CURB AND GUTTER, TYPE M-6.24	FOOT	144.2	144.2			
60618300	CONCRETE MEDIAN SURFACE, 4 INCH	SQ FT	11460.1	11460.1			

* ITEM REQUIRES SPECIAL PROVISION

USER NAME = sparksgw	DESIGNED - BTM	REVISED -	STATE OF ILLINOIS DEPARTMENT OF TRANSPORTATION	SUMMARY OF QUANTITIES				F.A.I. RTE.	SECTION	COUNTY	TOTAL SHEETS	SHEET NO.
PLOT SCALE = 2.0000' / in.	DRAWN - BTM	REVISED -						1722	*	SANGAMON	194	65
PLOT DATE = Sep-06-2013 09:02:00AM	CHECKED - JSA	REVISED -		SCALE: SHEET NO. OF SHEETS STA. TO STA.				* (84-10-1RS-3,84-10-2RS-4)BR,I		CONTRACT NO. 72C90		
PLOT DATE = Sep-06-2013 09:02:00AM	DATE - 12/19/12	REVISED -						ILLINOIS FED. AID PROJECT		(84-10-1,2)RS-3 & (84-10-2)RS-4		

CODE NO.	ITEM	UNIT	TOTAL QUANTITY	CONSTRUCTION CODE			
				90% FED 10% STATE	90% FED 10% STATE	90% FED 10% STATE	90% FED 10% STATE
				ROADWAY	BRIDGE	BRIDGE	BRIDGE
				0004	0014	0014	0014
				S.N. 084-0150	S.N. 084-0151	S.N. 084-0154	
60622400	CONCRETE MEDIAN, TYPE SM-6.06	SQ FT	3496.1	3496.1			
60900315	TYPE D INLET BOX, STANDARD 609006	EACH	8	8			
63000001	STEEL PLATE BEAM GUARDRAIL, TYPE A, 6 FOOT POSTS	FOOT	525	525			
63100085	TRAFFIC BARRIER TERMINAL, TYPE 6	EACH	6	6			
63100167	TRAFFIC BARRIER TERMINAL, TYPE 1 (SPECIAL) TANGENT	EACH	6	6			
63200310	GUARDRAIL REMOVAL	FOOT	1238	1238			
63301210	REMOVE AND REERECT STEEL PLATE BEAM GUARDRAIL, TYPE A	FOOT	175	175			
63301990	REMOVE AND REERECT TRAFFIC BARRIER TERMINALS, TYPE 1	EACH	2	2			
63302700	REMOVE AND REERECT TRAFFIC BARRIER TERMINALS, TYPE 6	EACH	2	2			
67000400	ENGINEER'S FIELD OFFICE, TYPE A	CAL MO	4	4			
67100100	MOBILIZATION	L SUM	1	1			
70100205	TRAFFIC CONTROL AND PROTECTION, STANDARD 701401	EACH	1	1			
70100310	TRAFFIC CONTROL AND PROTECTION, STANDARD 701421	L SUM	1	1			
70100315	TRAFFIC CONTROL AND PROTECTION, STANDARD 701422	EACH	1	1			

* ITEM REQUIRES SPECIAL PROVISION

USER NAME = sparksgw	DESIGNED - BTM	REVISED -	STATE OF ILLINOIS DEPARTMENT OF TRANSPORTATION	SUMMARY OF QUANTITIES				F.A.I. RTE.	SECTION	COUNTY	TOTAL SHEETS	SHEET NO.
PLOT SCALE = 2.0000' / in.	DRAWN - BTM	REVISED -						1722	*	SANGAMON	194	66
PLOT DATE = Sep-06-2013 09:02:36AM	CHECKED - JSA	REVISED -		SCALE:	SHEET NO.	OF SHEETS	STA.	TO STA.	* (84-10-1RS-3,84-10-2RS-4)BR,I CONTRACT NO. 72C90			
	DATE - 12/19/12	REVISED -						ILLINOIS FED. AID PROJECT				

CODE NO.	ITEM	UNIT	TOTAL QUANTITY	CONSTRUCTION CODE			
				90% FED 10% STATE ROADWAY	90% FED 10% STATE BRIDGE	90% FED 10% STATE BRIDGE	90% FED 10% STATE BRIDGE
				0004	0014	0014	0014
				NONE	S.N. 084-0150	S.N. 084-0151	S.N. 084-0154
70100405	TRAFFIC CONTROL AND PROTECTION, STANDARD 701321	EACH	2	2			
70100450	TRAFFIC CONTROL AND PROTECTION, STANDARD 701201	L SUM	1	1			
70100420	TRAFFIC CONTROL AND PROTECTION, STANDARD 701411	EACH	1	1			
70100460	TRAFFIC CONTROL AND PROTECTION, STANDARD 701306	L SUM	1	1			
70100815	TRAFFIC CONTROL AND PROTECTION, STANDARD 701446	L SUM	1	1			
70100700	TRAFFIC CONTROL AND PROTECTION, STANDARD 701406	L SUM	1	1			
70100825	TRAFFIC CONTROL AND PROTECTION, STANDARD 701456	L SUM	1	1			
70106500	TEMPORARY BRIDGE TRAFFIC SIGNALS	EACH	1			1	
70106800	CHANGEABLE MESSAGE SIGN	CAL MO	8	8			
70200100	NIGHTTIME WORK ZONE LIGHTING	L SUM	1	1			
70300100	SHORT TERM PAVEMENT MARKING	FOOT	1524	1524			
70301000	WORK ZONE PAVEMENT MARKING REMOVAL	SQ FT	508	508			
70400100	TEMPORARY CONCRETE BARRIER	FOOT	1950	1950			
70400200	RELOCATE TEMPORARY CONCRETE BARRIER	FOOT	1925	1925			
70600260	IMPACT ATTENUATORS, TEMPORARY (FULLY REDIRECTIVE, NARROW), TEST LEVEL 3	EACH	6	6			
70600332	IMPACT ATTENUATORS, RELOCATE (FULLY REDIRECTIVE, NARROW), TEST LEVEL 3	EACH	6	6			

* ITEM REQUIRES SPECIAL PROVISION

USER NAME : spar/kgm	DESIGNED - BTM	REVISED -	STATE OF ILLINOIS DEPARTMENT OF TRANSPORTATION	SUMMARY OF QUANTITIES				F.A.I. RTE.	SECTION	COUNTY	TOTAL SHEETS	SHEET NO.	
PLOT SCALE : 2.0000' / in.	DRAWN - BTM	REVISED -		SCALE:	SHEET NO.	OF SHEETS	STA.	TO STA.	1722	*	SANGAMON	194	67
PLOT DATE : Sep-06-2013 09:03:06AM	CHECKED - JSA	REVISED -		* (84-10-1RS-3, 84-10-2RS-4) BR. 1									
DATE : 12/19/12	REVISED -	ILLINOIS FED. AID PROJECT CONTRACT NO. 72C90											

CODE NO.	ITEM	UNIT	TOTAL QUANTITY	CONSTRUCTION CODE			
				90% FED 10% STATE ROADWAY	90% FED 10% STATE BRIDGE	90% FED 10% STATE BRIDGE	90% FED 10% STATE BRIDGE
				0004	0014	0014	0014
				NONE	S.N. 084-0150	S.N. 084-0151	S.N. 084-0154
78004200	PREFORMED PLASTIC PAVEMENT MARKING, TYPE B - INLAID - LETTERS AND SYMBOLS	SQ FT	125	125			
78004240	PREFORMED PLASTIC PAVEMENT MARKING, TYPE B - INLAID - LINE 8"	FOOT	692	692			
78004250	PREFORMED PLASTIC PAVEMENT MARKING, TYPE B - INLAID - LINE 12"	FOOT	154	154			
78004280	PREFORMED PLASTIC PAVEMENT MARKING, TYPE B - INLAID - LINE 24"	FOOT	166	166			
78009005	MODIFIED URETHANE PAVEMENT MARKING - LINE 5"	FOOT	20614	20614			
78009006	MODIFIED URETHANE PAVEMENT MARKING - LINE 6"	FOOT	689	689			
78100100	RAISED REFLECTIVE PAVEMENT MARKER	EACH	245	245			
78200300	PRISMATIC CURB REFLECTOR	EACH	68	68			
78200410	GUARDRAIL MARKERS, TYPE A	EACH	12	12			
78201000	TERMINAL MARKER - DIRECT APPLIED	EACH	6	6			
78300200	RAISED REFLECTIVE PAVEMENT MARKER REMOVAL	EACH	245	245			
542A0217	PIPE CULVERTS, CLASS A, TYPE 1 12"	FOOT	88	88			
X4403800	MEDIAN SURFACE REMOVAL	SQ FT	16799.8	16799.8			
X6050700	REMOVE INLET BOX	EACH	8	8			

* ITEM REQUIRES SPECIAL PROVISION

USER NAME = sparksgw	DESIGNED - BTM	REVISED -
	DRAWN - BTM	REVISED -
PLOT SCALE = 2.0000' / in.	CHECKED - JSA	REVISED -
PLOT DATE = Sep-06-2013 09:03:37AM	DATE - 12/19/12	REVISED -

**STATE OF ILLINOIS
DEPARTMENT OF TRANSPORTATION**

SUMMARY OF QUANTITIES

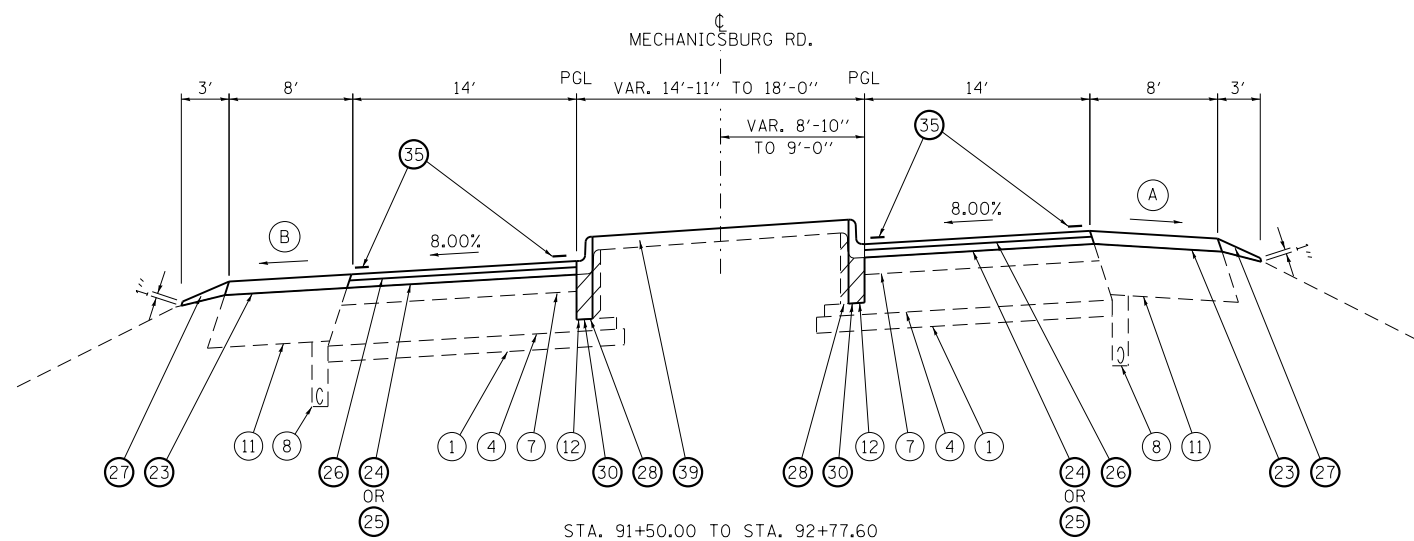
SCALE: SHEET NO. OF SHEETS STA. TO STA.

F.A.I. RTE.	SECTION	COUNTY	TOTAL SHEETS	SHEET NO.
1722	*	SANGAMON	194	68
* (84-10-1RS-3,84-10-2RS-4)BR,I			CONTRACT NO. 72C90	
ILLINOIS FED. AID PROJECT				

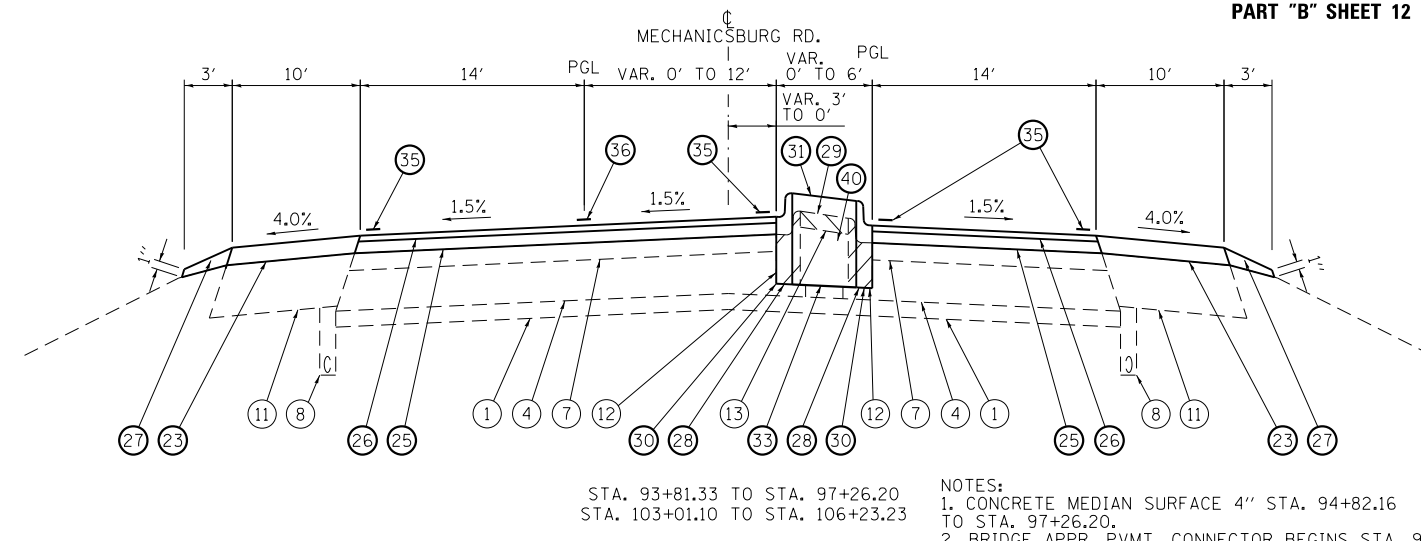
CODE NO.	ITEM	UNIT	TOTAL QUANTITY	CONSTRUCTION CODE			
				90% FED 10% STATE ROADWAY	90% FED 10% STATE BRIDGE	90% FED 10% STATE BRIDGE	90% FED 10% STATE BRIDGE
				0004	0014	0014	0014
				NONE	S.N. 084-0150	S.N. 084-0151	S.N. 084-0154
X7010216	TRAFFIC CONTROL AND PROTECTION, (SPECIAL)	L SUM	1	1			
X7830072	GROOVING FOR RECESSED PAVEMENT MARKING 6"	FOOT	10717	10717			
X7830074	GROOVING FOR RECESSED PAVEMENT MARKING 7"	FOOT	354	354			
Z0001900	ASBESTOS BEARING PAD REMOVAL	EACH	54		27		27
Z0001903	STRUCTURAL STEEL REMOVAL	POUND	13700		6800		6900
Z0003615	REMOVAL OF EXISTING CONCRETE I-BEAM	EACH	14		14		
Z0012754	STRUCTURAL REPAIR OF CONCRETE (DEPTH EQUAL TO OR LESS THAN 5 INCHES)	SQ FT	173		145		28
Z0016001	DECK SLAB REPAIR (FULL DEPTH, TYPE I)	SQ YD	20			20	
Z0016002	DECK SLAB REPAIR (FULL DEPTH, TYPE II)	SQ YD	10			10	
Z0016200	DECK SLAB REPAIR (PARTIAL)	SQ YD	50			50	
Z0018002	DRAINAGE SCUPPERS, DS-11	EACH	8		4		4
Z0023600	FILLING EXISTING CULVERTS	EACH	2	2			
Z0032300	JACKING EXISTING SUPERSTRUCTURE	L SUM	2		1		1
Z0041500	PLUG EXISTING CULVERTS	EACH	8	8			
Z0053700	RESETTING SURVEY MONUMENTS	EACH	1	1			

* ITEM REQUIRES SPECIAL PROVISION

USER NAME = sparksgw	DESIGNED - BTM	REVISED -	STATE OF ILLINOIS DEPARTMENT OF TRANSPORTATION	SUMMARY OF QUANTITIES				F.A.I. RTE.	SECTION	COUNTY	TOTAL SHEETS	SHEET NO.
PLOT SCALE = 2.0000' / in.	DRAWN - BTM	REVISED -		SCALE:	SHEET NO.	OF SHEETS	STA.	TO STA.	1722	*	SANGAMON	194 69
PLOT DATE = Sep-06-2013 09:04:05AM	CHECKED - JSA	REVISED -		* (84-10-1RS-3,84-10-2RS-4)BR,I								
	DATE - 12/19/12	REVISED -		ILLINOIS FED. AID PROJECT								

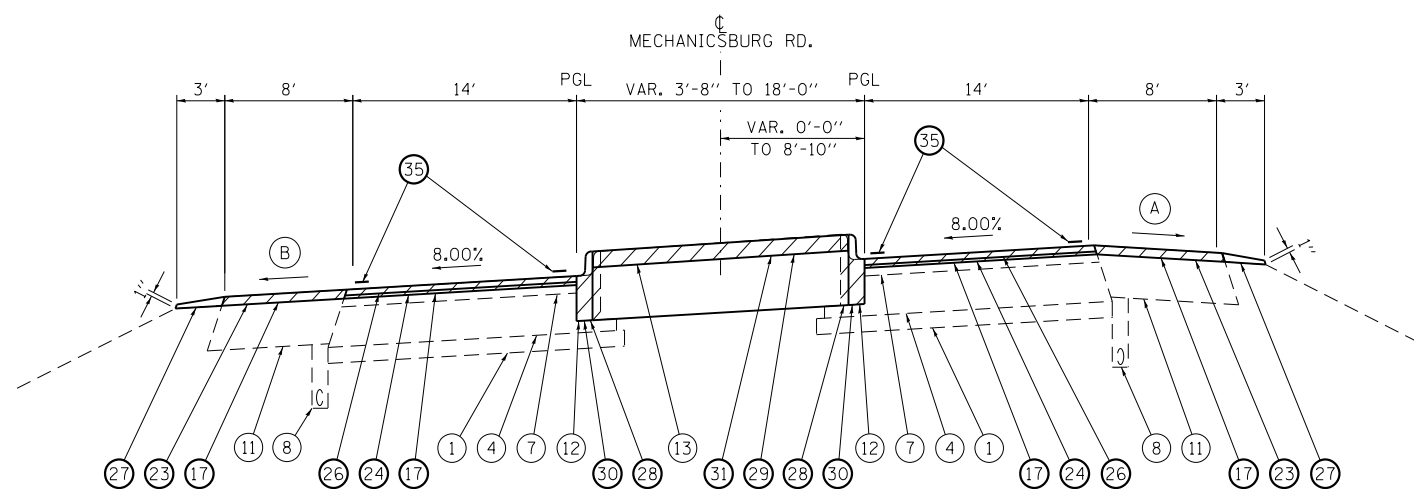


STA. 91+50.00 TO STA. 92+77.60



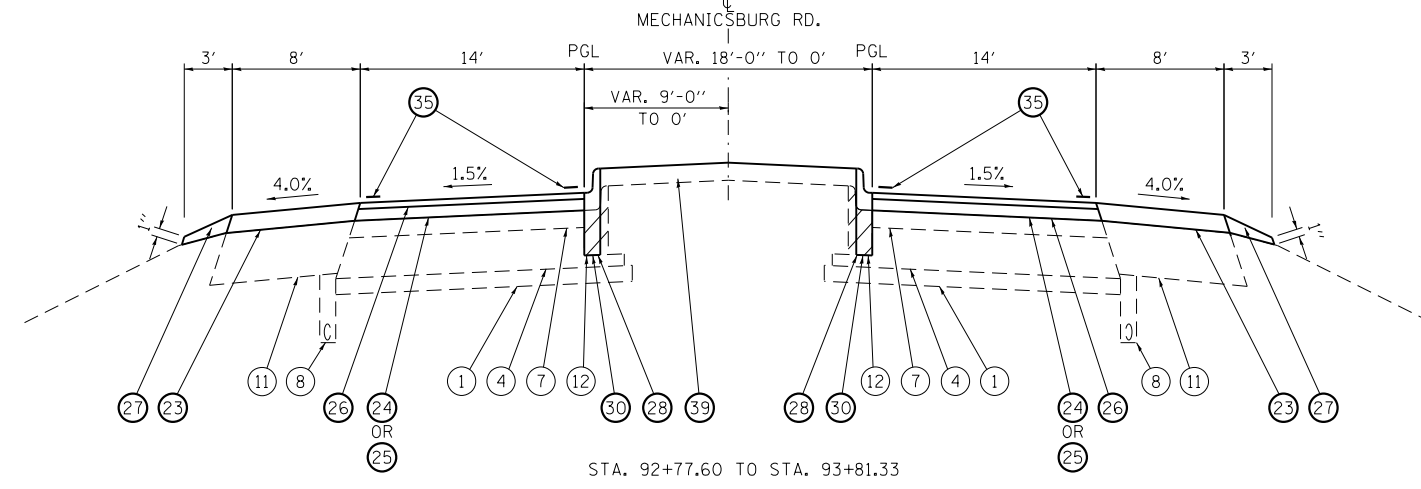
STA. 93+81.33 TO STA. 97+26.20
STA. 103+01.10 TO STA. 106+23.23

- NOTES:
1. CONCRETE MEDIAN SURFACE 4" TO STA. 94+82.16 TO STA. 97+26.20.
2. BRIDGE APPR. PVMT. CONNECTOR BEGINS STA. 98+46.90
3. BRIDGE APPR. PVMT BEGINS STA. 98+52.9.

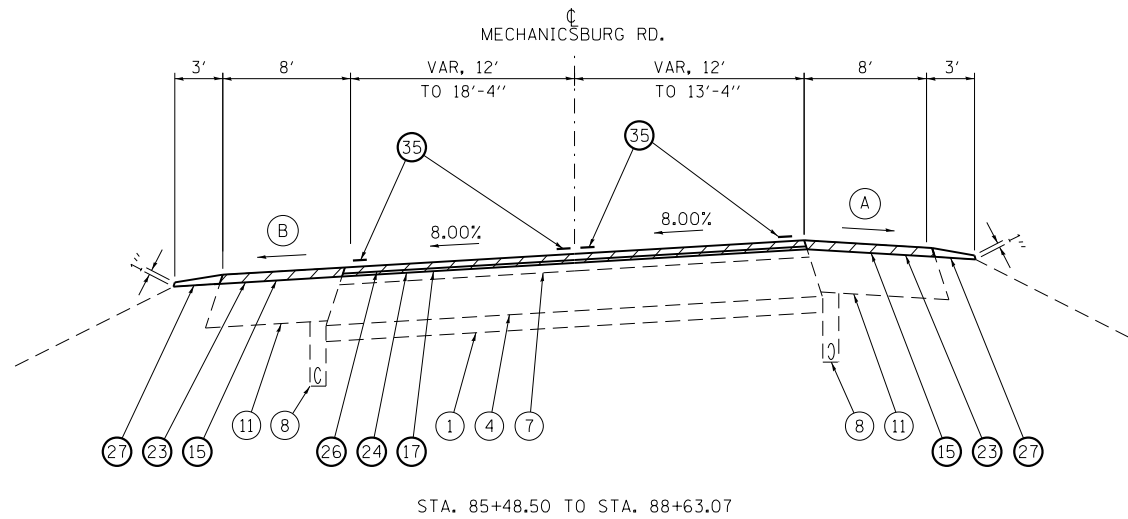


STA. 88+63.07 TO STA. 91+50.00

- NOTES:
1. ROADWAY ROTATES ABOUT CENTERLINE.
2. CORRUGATED MEDIAN C-4 STA. 88+63.07 TO 90+27.75
3. CONCRETE MEDIAN SURFACE 4" ENDS STA. 91+16.00



STA. 92+77.60 TO STA. 93+81.33



STA. 85+48.50 TO STA. 88+63.07

- (A) WHEN THE SUPERELEVATION RATE OF THE PAVEMENT IS BETWEEN 0% AND 4%, THE SHOULDER SHALL BE SLOPED AT 4%. WHEN THE SUPERELEVATION RATE OF THE PAVEMENT EXCEEDS 4%, THE SHOULDER SHALL BE SLOPED SO THAT THE ALGEBRAIC DIFFERENCE BETWEEN PAVEMENT AND SHOULDER WILL NOT BE GREATER THAN 10%.
- (B) SLOPE SHALL BE THE SAME AS THE SUPERELEVATION RATE, BUT NOT LESS THAN 4%.

LEGEND

- (1) EXISTING STABILIZED SUBBASE 4"
- (2) EXISTING CRCP PAVEMENT 8"
- (3) EXISTING CONCRETE PAVEMENT, 8"
- (4) EXISTING HMA BASE COURSE, 10"
- (5) EXISTING HMA CONCRETE 3/4"
- (6) EXISTING HMA CONCRETE 3/4"
- (7) EXISTING HMA CONCRETE 4 1/4"
- (8) EXISTING UNDERDRAIN
- (9) EXISTING BITUMINOUS SHOULDER, 8 3/4"
- (10) EXISTING BITUMINOUS SHOULDER, 11 1/4"
- (11) EXISTING BITUMINOUS SHOULDER, 12 1/4"
- (12) EXISTING CC&G, TY M-6.12
- (13) EXISTING CONC. MED. SURFACE, 4"
- (14) PROPOSED SUBBASE GRANULAR MATERIAL, TYPE B
- (15) PROPOSED HOT-MIX ASPHALT SURFACE REMOVAL, 3/4"
- (16) PROPOSED HOT-MIX ASPHALT SURFACE REMOVAL, 1 1/2"
- (17) PROPOSED HOT-MIX ASPHALT SURFACE REMOVAL, VAR. DEPTH (2 1/2" MAX.)
- (18) PROPOSED HOT-MIX ASPHALT SURFACE REMOVAL, 3/4"
- (19) PROPOSED POLYMERIZED HOT-MIX ASPHALT BINDER COURSE, IL-19.0, N90, 2 1/4"
- (20) PROPOSED POLYMERIZED HOT-MIX ASPHALT SURFACE COURSE, MIX "D", N90, 1 1/2"
- (21) PROPOSED HOT-MIX ASPHALT SHOULDERS, 2" (W/RUMBLE STRIPS STD. 642001)
- (22) PROPOSED HOT-MIX ASPHALT SHOULDERS, 2 3/4" (W/RUMBLE STRIPS STD. 642001)
- (23) PROPOSED HOT-MIX ASPHALT SHOULDERS, VAR. DEPTH (2" MIN.)
- (24) PROPOSED LEVELING BINDER (MACHINE METHOD), N70, VAR. DEPTH (3/4" MIN. CH 12, 1" MIN. TR 420), 2 1/4" MAX.)
- (25) PROPOSED HOT-MIX ASPHALT BINDER COURSE, IL 19.0, N70, VAR. DEPTH (2 1/4" MIN.)
- (26) PROPOSED HOT-MIX ASPHALT SURFACE COURSE, MIX "C", N70, 1 1/2"
- (27) PROPOSED AGGREGATE WEDGE SHOULDER, TYPE B
- (28) PROPOSED CURB REMOVAL
- (29) PROPOSED MEDIAN SURFACE REMOVAL
- (30) PROPOSED CC&G, TYPE M-6.06
- (31) PROPOSED CONC. MEDIAN SURFACE, 4"
- (32) PROPOSED CORRUGATED MEDIAN
- (33) PROPOSED CONCRETE MEDIAN, SM 6.06
- (34) PROPOSED MODIFIED URETHANE PAVEMENT MARKING, LINE 5"
- (35) PROPOSED PAINT PAVEMENT MARKING, LINE 5"
- (36) PROPOSED PAINT PAVEMENT MARKING, LINE 6"
- (37) PROPOSED EMBANKMENT
- (38) PROPOSED STEEL PLATE BEAM GUARDRAIL, 6' POSTS
- (39) PROPOSED TOPSOIL
- (40) PROP. HOT-MIX ASPHALT BASE COURSE, 14 1/4"
- (41) PROP. HOT-MIX ASPHALT BASE COURSE, 8 3/4"

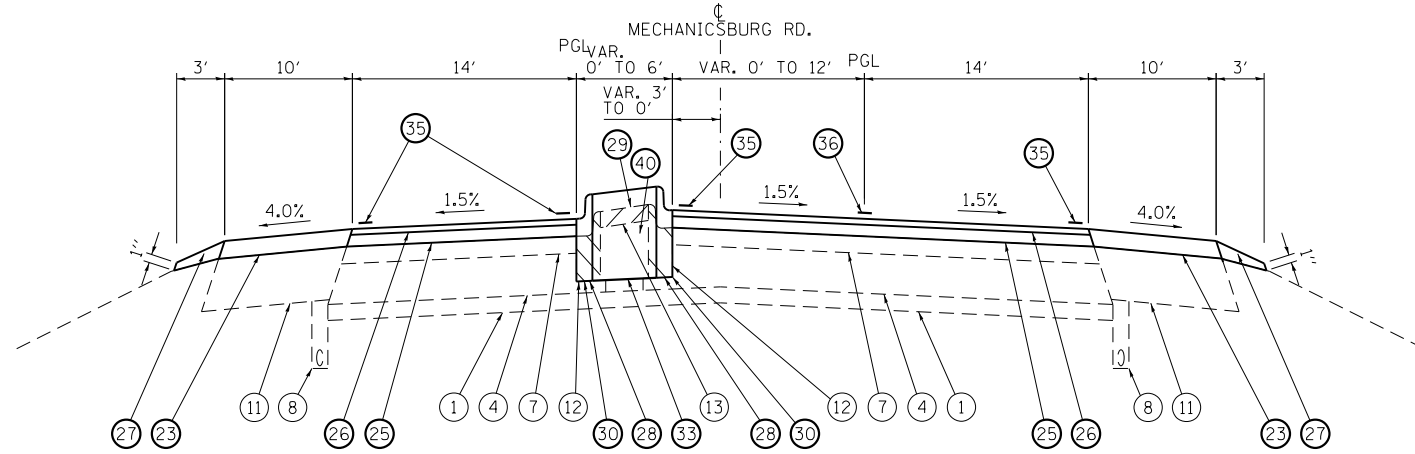
USER NAME = sparksgw	DESIGNED - BTM	REVISED -
PLOT SCALE = 12.0000' / in.	DRAWN - BTM	REVISED -
PLOT DATE = Sep-06-2013 09:04:58AM	CHECKED - JSA	REVISED -
	DATE - 12/19/12	REVISED -

STATE OF ILLINOIS
DEPARTMENT OF TRANSPORTATION

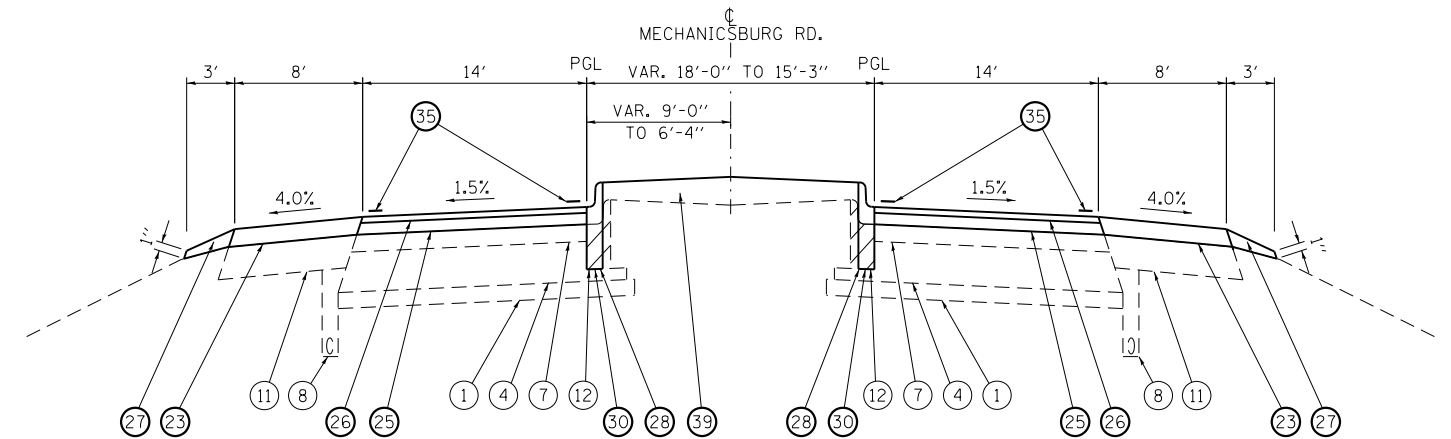
TYPICAL SECTIONS

SCALE:	SHEET NO.	OF SHEETS	STA.	TO STA.
--------	-----------	-----------	------	---------

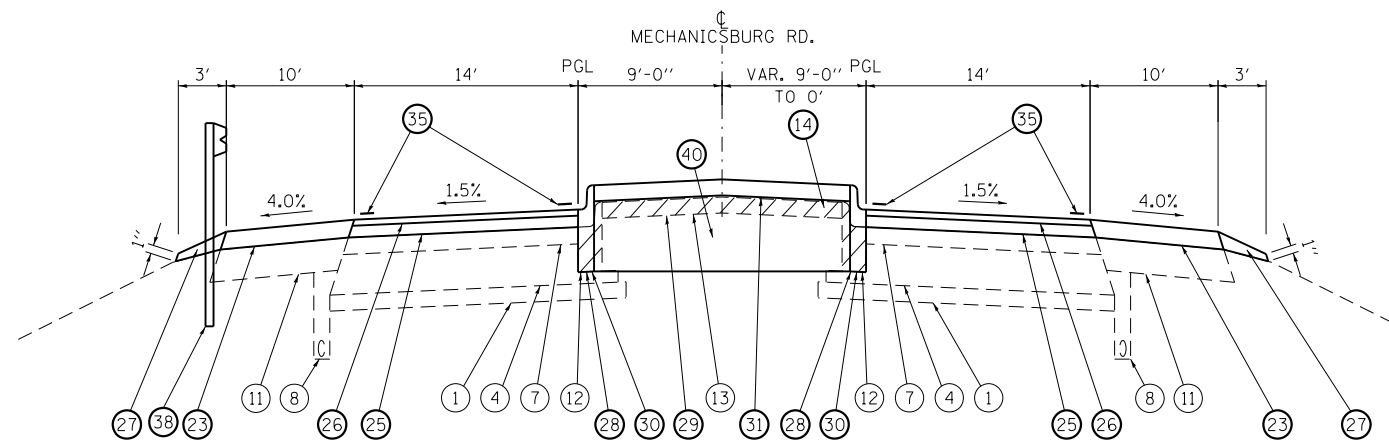
F.A.I. RTE.	SECTION	COUNTY	TOTAL SHEETS	SHEET NO.
1722	*	SANGAMON	194	70
*184-10-1RS-3,84-10-2RS-4IBR,1			CONTRACT NO. 72C90	
ILLINOIS FED. AID PROJECT				



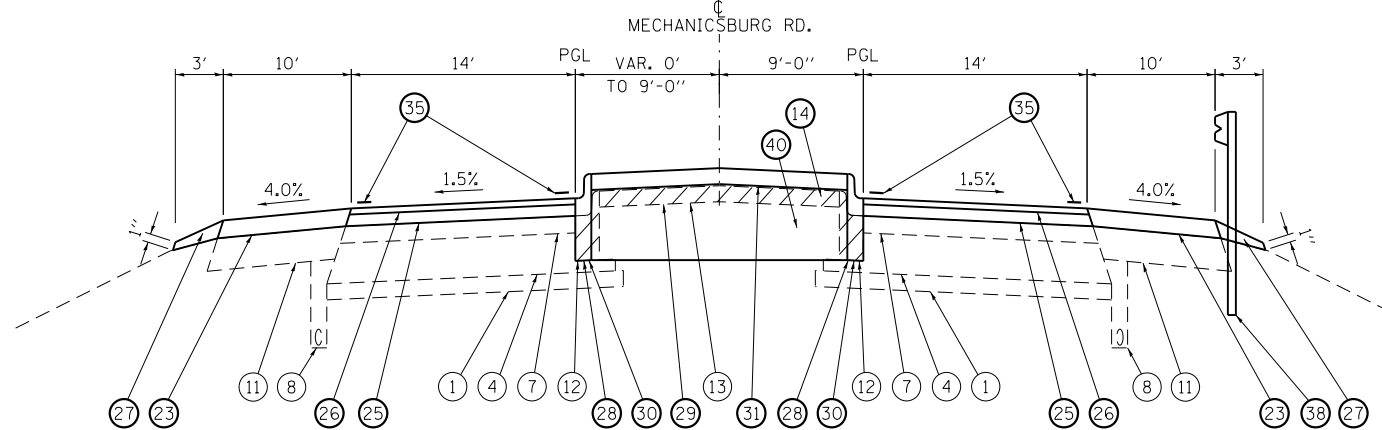
STA. 102+82.01 TO STA. 106+23.23
 NOTES:
 1. CONCRETE MEDIAN, TYPE SM ENDS AT STA. 105+10.33



STA. 106+23.23 TO STA. 109+16.00



STA. 101+33.10 TO STA. 102+82.01
 NOTE: PROP. GUARDRAIL ON LEFT SIDE,
 STA. 101+33.10 TO 103+01.10



STA. 97+26.20 TO STA. 98+82.88
 BRIDGE OMISSION
 STA. 98+82.85 TO STA. 101+33.10

(A) WHEN THE SUPERELEVATION RATE OF THE PAVEMENT IS BETWEEN 0% AND 4%, THE SHOULDER SHALL BE SLOPED AT 4%. WHEN THE SUPERELEVATION RATE OF THE PAVEMENT EXCEEDS 4%, THE SHOULDER SHALL BE SLOPED SO THAT THE ALGEBRAIC DIFFERENCE BETWEEN PAVEMENT AND SHOULDER WILL NOT BE GREATER THAN 10%.

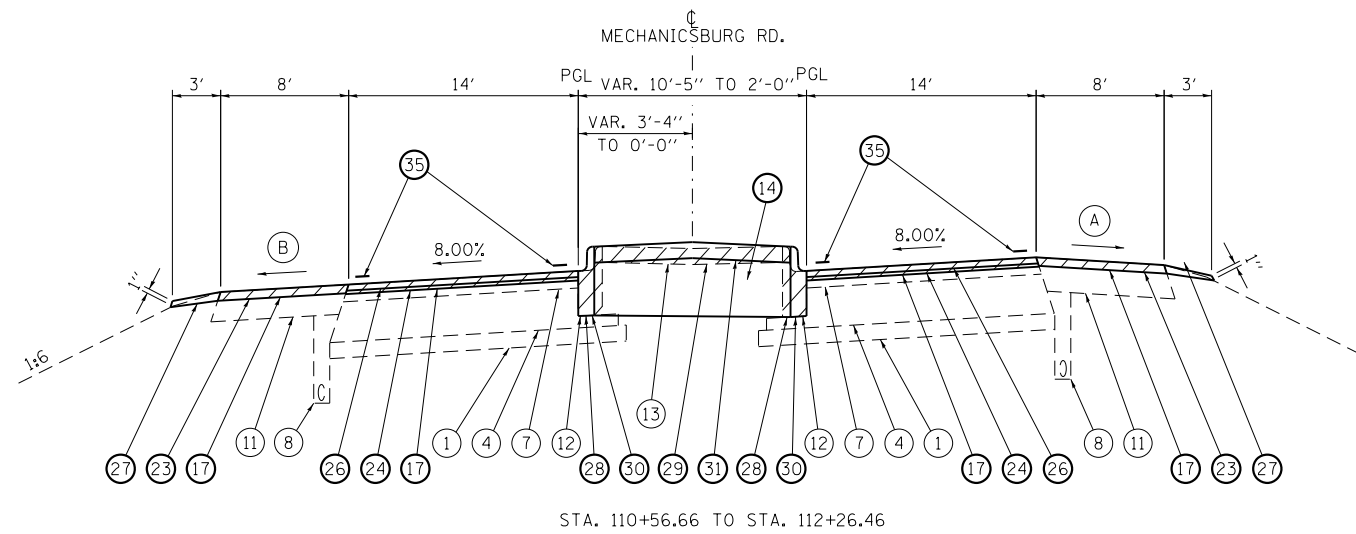
(B) SLOPE SHALL BE THE SAME AS THE SUPERELEVATION RATE, BUT NOT LESS THAN 4%.

NOTE:
 1. PROP. GUARDRAIL ON RIGHT SIDE, STA. 97+04 TO 97+82.85.
 2. BRIDGE APPROACH PAVEMENT STA. 98+52.90 TO 98+82.85

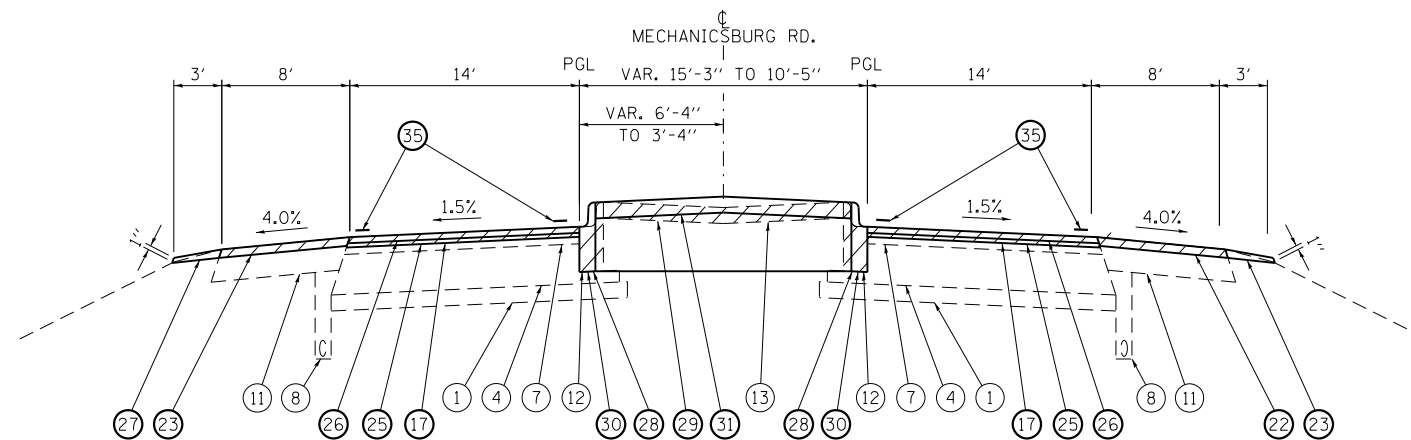
LEGEND

- ① EXISTING STABILIZED SUBBASE 4"
- ② EXISTING CRCP PAVEMENT 8"
- ③ EXISTING CONCRETE PAVEMENT, 8"
- ④ EXISTING HMA BASE COURSE, 10"
- ⑤ EXISTING HMA CONCRETE 3/4"
- ⑥ EXISTING HMA CONCRETE 3/4"
- ⑦ EXISTING HMA CONCRETE 4/4"
- ⑧ EXISTING UNDERDRAIN
- ⑨ EXISTING BITUMINOUS SHOULDER, 8 3/4"
- ⑩ EXISTING BITUMINOUS SHOULDER, 11 1/4"
- ⑪ EXISTING BITUMINOUS SHOULDER, 12 1/4"
- ⑫ EXISTING CC&G, TY M-6.12
- ⑬ EXISTING CONC. MED. SURFACE, 4"
- ⑭ PROPOSED SUBBASE GRANULAR MATERIAL, TYPE B
- ⑮ PROPOSED HOT-MIX ASPHALT SURFACE REMOVAL, 3/4"
- ⑯ PROPOSED HOT-MIX ASPHALT SURFACE REMOVAL, 1 1/2"
- ⑰ PROPOSED HOT-MIX ASPHALT SURFACE REMOVAL, VAR. DEPTH (2 1/2" MAX.)
- ⑱ PROPOSED HOT-MIX ASPHALT SURFACE REMOVAL, 3 1/4"
- ⑲ PROPOSED POLYMERIZED HOT-MIX ASPHALT BINDER COURSE, 1L-19.0, N90, 2 1/4"
- ⑳ PROPOSED POLYMERIZED HOT-MIX ASPHALT SURFACE COURSE, MIX "D", N90, 1 1/2"
- ㉑ PROPOSED HOT-MIX ASPHALT SHOULDERS, 2" (W/RUMBLE STRIPS STD. 642001)
- ㉒ PROPOSED HOT-MIX ASPHALT SHOULDERS, 2 3/4" (W/RUMBLE STRIPS STD. 642001)
- ㉓ PROPOSED HOT-MIX ASPHALT SHOULDERS, VAR. DEPTH (2" MIN.)
- ㉔ PROPOSED LEVELING BINDER (MACHINE METHOD), N70, VAR. DEPTH (3/4" MIN. CH 12, 1" MIN. TR 420), 2 1/4" MAX.)
- ㉕ PROPOSED HOT-MIX ASPHALT BINDER COURSE, 1L 19.0, N70, VAR. DEPTH (2 1/4" MIN.)
- ㉖ PROPOSED HOT-MIX ASPHALT SURFACE COURSE, MIX "C", N70, 1 1/2"
- ㉗ PROPOSED AGGREGATE WEDGE SHOULDER, TYPE B
- ㉘ PROPOSED CURB REMOVAL
- ㉙ PROPOSED MEDIAN SURFACE REMOVAL
- ㉚ PROPOSED CC&G, TYPE M-6.06
- ㉛ PROPOSED CONC. MEDIAN SURFACE, 4"
- ㉜ PROPOSED CORRUGATED MEDIAN
- ㉝ PROPOSED CONCRETE MEDIAN, TYPE SM 6.06
- ㉞ PROPOSED MODIFIED URETHANE PAVEMENT MARKING, LINE 5"
- ㉟ PROPOSED PAINT PAVEMENT MARKING, LINE 5"
- ㊱ PROPOSED PAINT PAVEMENT MARKING, LINE 6"
- ㊲ PROPOSED EMBANKMENT
- ㊳ PROPOSED STEEL PLATE BEAM GUARDRAIL, 6' POSTS
- ㊴ PROPOSED TOPSOIL
- ㊵ PROP. HOT-MIX ASPHALT BASE COURSE, 14 1/4"
- ㊶ PROP. HOT-MIX ASPHALT BASE COURSE, 8 3/4"

USER NAME = sparksgw DESIGNED - BTM DRAWN - BTM PLOT SCALE = 12.0000' / in. PLOT DATE = Sep-06-2013 09:05:24AM				REVISIONS REVISED - REVISED - REVISED - REVISED -				STATE OF ILLINOIS DEPARTMENT OF TRANSPORTATION				TYPICAL SECTIONS				F.A.I. RTE. 1772 SECTION * COUNTY SANGAMON TOTAL SHEETS 194 SHEET NO. 71	
FILE NAME = c:\pwwork\pwwork\sparksgw\0359822\0672C90.sht.typical.dgn								SCALE: SHEET NO. OF SHEETS STA. TO STA.				* (84-10-IRS-3,84-10-2RS-4)BR, I ILLINOIS FED. AID PROJECT (84-10-1,2)RS-3 & (84-10-2)RS-4					



STA. 110+56.66 TO STA. 112+26.46



STA. 109+16.00 TO STA. 110+56.66

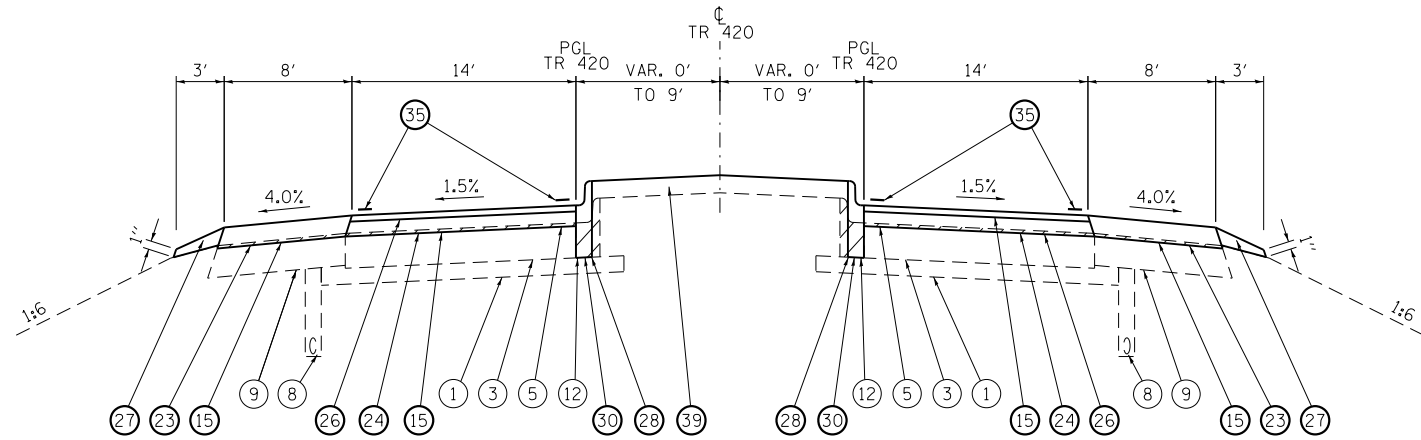
NOTE:
1. CORRUGATED MEDIAN C-4 STA. 110+46 TO 112+26.46

LEGEND

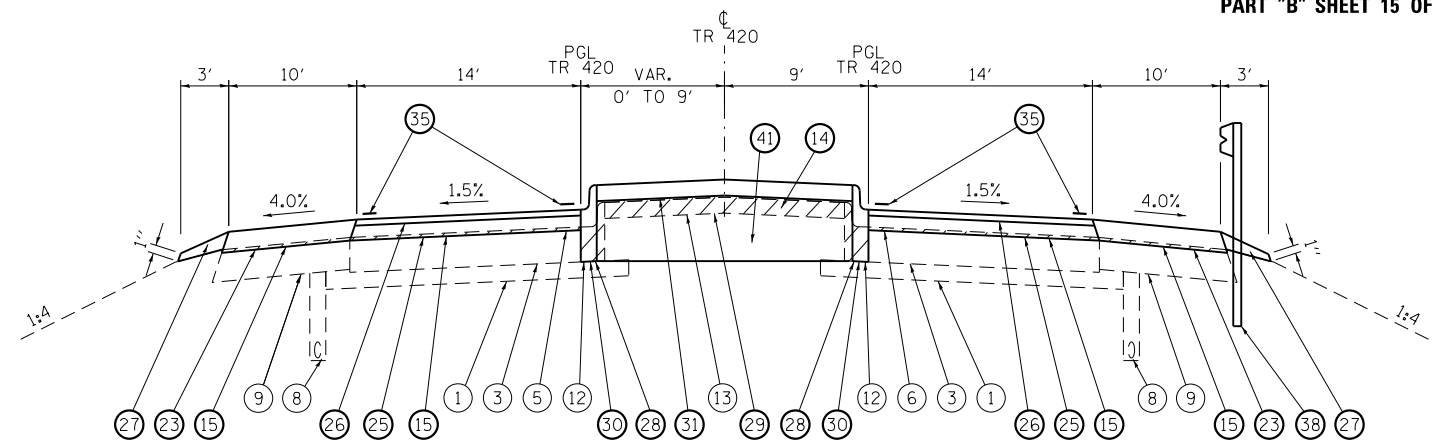
- ① EXISTING STABILIZED SUBBASE 4"
- ② EXISTING CRCP PAVEMENT 8"
- ③ EXISTING CONCRETE PAVEMENT, 8"
- ④ EXISTING HMA BASE COURSE, 10"
- ⑤ EXISTING HMA CONCRETE 3/4"
- ⑥ EXISTING HMA CONCRETE 3/4"
- ⑦ EXISTING HMA CONCRETE 4/4"
- ⑧ EXISTING UNDERDRAIN
- ⑨ EXISTING BITUMINOUS SHOULDER, 8 3/4"
- ⑩ EXISTING BITUMINOUS SHOULDER, 11 1/4"
- ⑪ EXISTING BITUMINOUS SHOULDER, 12 1/4"
- ⑫ EXISTING CC&G, TY M-6.12
- ⑬ EXISTING CONC. MED. SURFACE, 4"
- ⑭ PROPOSED SUBBASE GRANULAR MATERIAL, TYPE B
- ⑮ PROPOSED HOT-MIX ASPHALT SURFACE REMOVAL, 3/4"
- ⑯ PROPOSED HOT-MIX ASPHALT SURFACE REMOVAL, 1 1/2"
- ⑰ PROPOSED HOT-MIX ASPHALT SURFACE REMOVAL, VAR. DEPTH (2 1/2" MAX.)
- ⑱ PROPOSED HOT-MIX ASPHALT SURFACE REMOVAL, 3 1/4"
- ⑲ PROPOSED POLYMERIZED HOT-MIX ASPHALT BINDER COURSE, IL-19.0, N90, 2 1/4"
- ⑳ PROPOSED POLYMERIZED HOT-MIX ASPHALT SURFACE COURSE, MIX "D", N90, 1 1/2"
- ㉑ PROPOSED HOT-MIX ASPHALT SHOULDERS, 2" (W/RUMBLE STRIPS STD. 642001)
- ㉒ PROPOSED HOT-MIX ASPHALT SHOULDERS, 2 3/4" (W/RUMBLE STRIPS STD. 642001)
- ㉓ PROPOSED HOT-MIX ASPHALT SHOULDERS, VAR. DEPTH (2" MIN.)
- ㉔ PROPOSED LEVELING BINDER (MACHINE METHOD), N70, VAR. DEPTH (3/4" MIN. CH 12, 1" MIN. TR 420), 2 1/4" MAX.)
- ㉕ PROPOSED HOT-MIX ASPHALT BINDER COURSE, IL 19.0, N70, VAR. DEPTH (2 1/4" MIN.)
- ㉖ PROPOSED HOT-MIX ASPHALT SURFACE COURSE, MIX "C", N70, 1 1/2"
- ㉗ PROPOSED AGGREGATE WEDGE SHOULDER, TYPE B
- ㉘ PROPOSED CURB REMOVAL
- ㉙ PROPOSED MEDIAN SURFACE REMOVAL
- ㉚ PROPOSED CC&G, TYPE M-6.06
- ㉛ PROPOSED CONC. MEDIAN SURFACE, 4"
- ㉜ PROPOSED CORRUGATED MEDIAN
- ㉝ PROPOSED CONCRETE MEDIAN, TYPE SM 6.06
- ㉞ PROPOSED MODIFIED URETHANE PAVEMENT MARKING, LINE 5"
- ㉟ PROPOSED PAINT PAVEMENT MARKING, LINE 5"
- ㊱ PROPOSED PAINT PAVEMENT MARKING, LINE 6"
- ㊲ PROPOSED EMBANKMENT
- ㊳ PROPOSED STEEL PLATE BEAM GUARDRAIL, 6' POSTS
- ㊴ PROPOSED TOPSOIL
- ㊵ PROP. HOT-MIX ASPHALT BASE COURSE, 14 1/4"
- ㊶ PROP. HOT-MIX ASPHALT BASE COURSE, 8 3/4"

- (A) WHEN THE SUPERELEVATION RATE OF THE PAVEMENT IS BETWEEN 0% AND 4%, THE SHOULDER SHALL BE SLOPED AT 4%. WHEN THE SUPERELEVATION RATE OF THE PAVEMENT EXCEEDS 4%, THE SHOULDER SHALL BE SLOPED SO THAT THE ALGEBRAIC DIFFERENCE BETWEEN PAVEMENT AND SHOULDER WILL NOT BE GREATER THAN 10%.
- (B) SLOPE SHALL BE THE SAME AS THE SUPERELEVATION RATE, BUT NOT LESS THAN 4%.

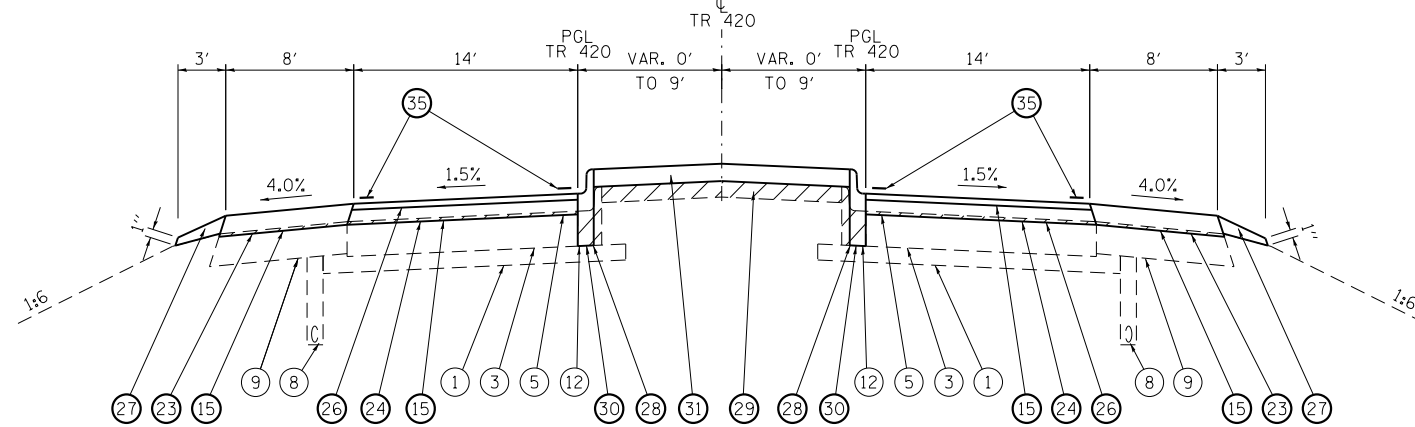
USER NAME = sparksgw PLOT SCALE = 12.0000' / in. PLOT DATE = Sep-06-2013 09:05:45AM	DESIGNED - BTM DRAWN - BTM CHECKED - JSA DATE - 12/19/12	REVISED - REVISED - REVISED - REVISED -	STATE OF ILLINOIS DEPARTMENT OF TRANSPORTATION	TYPICAL SECTIONS	F.A.I. RTE. 1772 * (84-10-1RS-3,84-10-2RS-4)BR,I ILLINOIS FED. AID PROJECT	SECTION * COUNTY SANGAMON CONTRACT NO. 72C90	TOTAL SHEETS 194 SHEET NO. 72
			SCALE:	SHEET NO. OF SHEETS	STA. TO STA.		
FILE NAME = c:\pw\work\p\dot\sparksgw\0359822\0672C90.sht.typical.dgn							



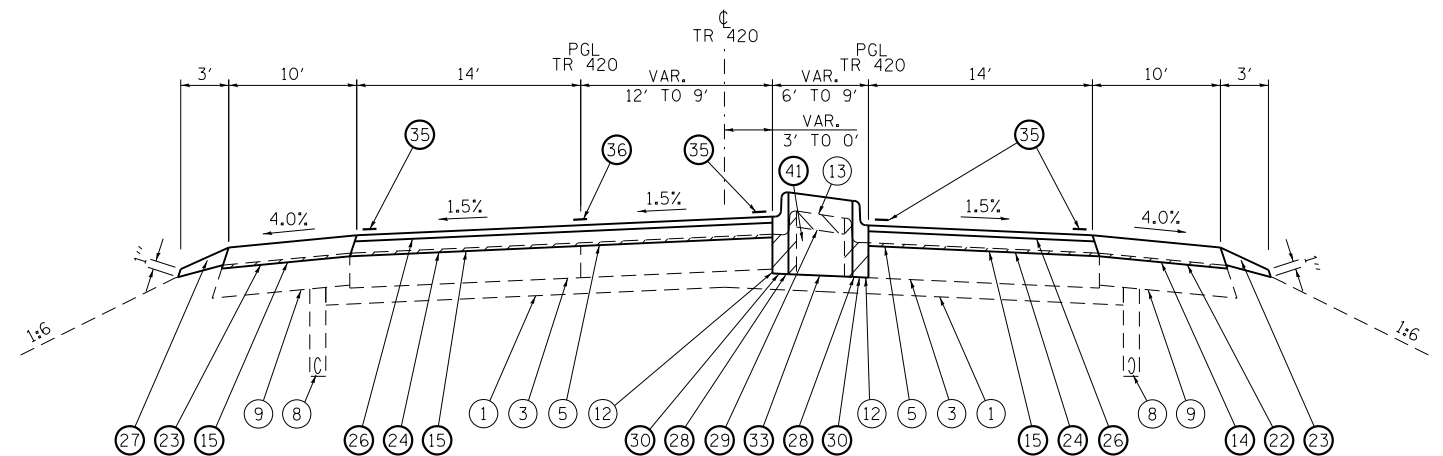
STA. 290+75.00 TO STA. 293+69.30 TR 420
 STA. 306+03.58 TO STA. 312+50.00 TR 420
 NOTE: EXISTING CORRUGATED MEDIAN, C-4
 STA. 309+63 TO 311+37



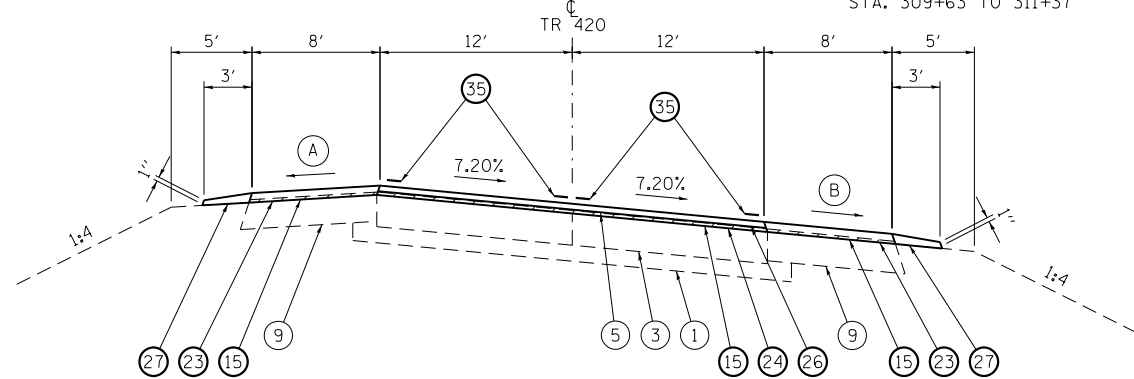
STA. 297+03.30 TO STA. 298+21.40 TR 420
 BRIDGE OMISSION STA. 298+21.4 TO STA. 301+39.2
 STA. 301+39.20 TO STA. 302+60.70 TR 420
 NOTE: PROP. GUARDRAIL ON LEFT SIDE,
 STA. 301+09.22 TO 302+60.70



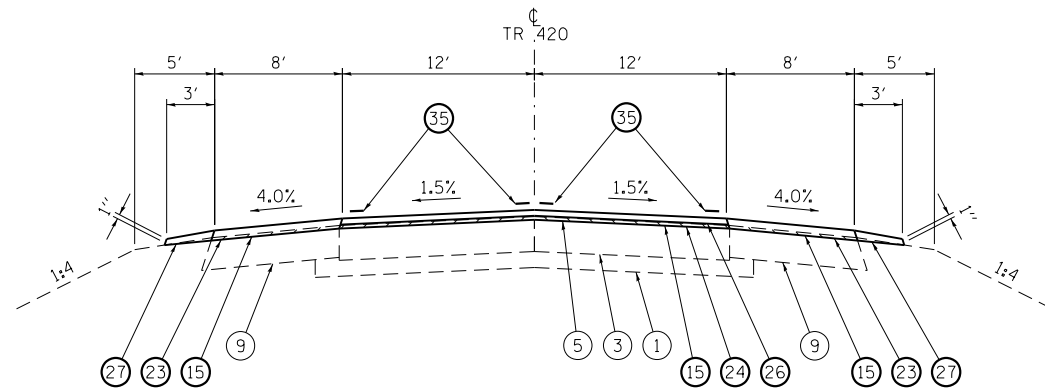
STA. 287+53.00 TO 290+75.00 TR 420
 STA. 306+03.58 TO STA. 312+50.00 TR 420
 NOTE: EXISTING CORRUGATED MEDIAN, C-4
 STA. 287+53 TO 289+33
 STA. 309+63 TO 311+37



STA. 293+69.30 TO STA. 297+03.30 TR 420
 STA. 302+60.70 TO STA. 306+03.58 TR 420
 NOTE: BEGIN PR MEDIAN STA. 294+70
 END PR MEDIAN STA. 305+05



STA. 278+09.99 TO STA. 286+20.98



STA. 276+08.75 TO STA. 278+09.99
 STA. 286+20.98 TO STA. 287+53.00

LEGEND

- ① EXISTING STABILIZED SUBBASE 4"
- ② EXISTING CRCP PAVEMENT 8"
- ③ EXISTING CONCRETE PAVEMENT, 8"
- ④ EXISTING HMA BASE COURSE, 10"
- ⑤ EXISTING HMA CONCRETE 3/4"
- ⑥ EXISTING HMA CONCRETE 3/4"
- ⑦ EXISTING HMA CONCRETE 4 1/4"
- ⑧ EXISTING UNDERDRAIN
- ⑨ EXISTING BITUMINOUS SHOULDER, 8 3/4"
- ⑩ EXISTING BITUMINOUS SHOULDER, 11 1/4"
- ⑪ EXISTING BITUMINOUS SHOULDER, 12 1/4"
- ⑫ EXISTING CC&G, TY M-6.12
- ⑬ EXISTING CONC. MED. SURFACE, 4"
- ⑭ PROPOSED SUBBASE GRANULAR MATERIAL, TYPE B
- ⑮ PROPOSED HOT-MIX ASPHALT SURFACE REMOVAL, 3/4"
- ⑯ PROPOSED HOT-MIX ASPHALT SURFACE REMOVAL, 1 1/2"
- ⑰ PROPOSED HOT-MIX ASPHALT SURFACE REMOVAL, VAR. DEPTH (2 1/2" MAX.)
- ⑱ PROPOSED HOT-MIX ASPHALT SURFACE REMOVAL, 3/4"
- ⑲ PROPOSED POLYMERIZED HOT-MIX ASPHALT BINDER COURSE, IL-19.0, N90, 2 1/4"
- ⑳ PROPOSED POLYMERIZED HOT-MIX ASPHALT SURFACE COURSE, MIX "D", N90, 1 1/2"
- ㉑ PROPOSED HOT-MIX ASPHALT SHOULDERS, 2" (W/RUMBLE STRIPS STD. 642001)
- ㉒ PROPOSED HOT-MIX ASPHALT SHOULDERS, 2 3/4" (W/RUMBLE STRIPS STD. 642001)
- ㉓ PROPOSED HOT-MIX ASPHALT SHOULDERS, VAR. DEPTH (2" MIN.)
- ㉔ PROPOSED LEVELING BINDER (MACHINE METHOD), N70, VAR. DEPTH (3/4" MIN. CH 12, 1" MIN. TR 420), 2 1/4" MAX.)
- ㉕ PROPOSED HOT-MIX ASPHALT BINDER COURSE, IL 19.0, N70, VAR. DEPTH (2 1/4" MIN.)
- ㉖ PROPOSED HOT-MIX ASPHALT SURFACE COURSE, MIX "C", N70, 1 1/2"
- ㉗ PROPOSED AGGREGATE WEDGE SHOULDER, TYPE B
- ㉘ PROPOSED CURB REMOVAL
- ㉙ PROPOSED MEDIAN SURFACE REMOVAL
- ㉚ PROPOSED CC&G, TYPE M-6.06
- ㉛ PROPOSED CONC. MEDIAN SURFACE, 4"
- ㉜ PROPOSED CORRUGATED MEDIAN
- ㉝ PROPOSED CONCRETE MEDIAN, TYPE SM 6.06
- ㉞ PROPOSED MODIFIED URETHANE PAVEMENT MARKING, LINE 5"
- ㉟ PROPOSED PAINT PAVEMENT MARKING, LINE 5"
- ㊱ PROPOSED PAINT PAVEMENT MARKING, LINE 6"
- ㊲ PROPOSED EMBANKMENT
- ㊳ PROPOSED STEEL PLATE BEAM GUARDRAIL, 6' POSTS
- ㊴ PROPOSED TOPSOIL
- ㊵ PROP. HOT-MIX ASPHALT BASE COURSE, 14 1/4"
- ㊶ PROP. HOT-MIX ASPHALT BASE COURSE, 8 3/4"

NOTES

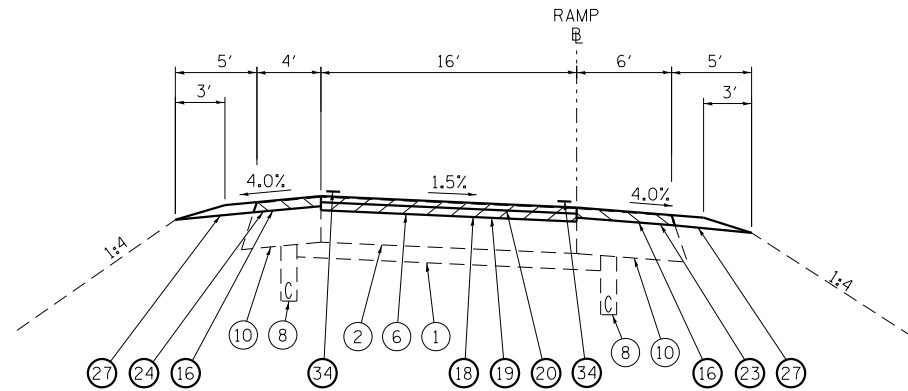
1. MILL TO BARE CONCRETE ON TR 420 MAINLINE PAVEMENT.

USER NAME = sparksgw	DESIGNED - BTM	REVISED -
PLOT SCALE = 12.0000' / in.	DRAWN - BTM	REVISED -
PLOT DATE = Sep-06-2013 09:06:07AM	CHECKED - JSA	REVISED -
	DATE - 12/19/12	REVISED -

STATE OF ILLINOIS
 DEPARTMENT OF TRANSPORTATION

TYPICAL SECTIONS			
SCALE:	SHEET NO.	OF SHEETS	STA. TO STA.

F.A.I. RTE.	SECTION	COUNTY	TOTAL SHEETS	SHEET NO.
1722	*	SANGAMON	194	73
*184-10-IRS-3,84-10-2RS-4IBR,1			CONTRACT NO. 72C90	
ILLINOIS FED. AID PROJECT				



MECH. RD. RAMP A STA. 118+80.80 TO STA. 120+28.66 TR 420 RAMP A STA. 11932.20 TO STA. 120+93.84
 MECH. RD. RAMP B STA. 200+00.00 TO STA. 201+64.20 TR 420 RAMP B STA. 200+00.00 TO STA. 201+47.60
 MECH. RD. RAMP C STA. 319+92.40 TO STA. 320+45.97 TR 420 RAMP C STA. 317+83.20 TO STA. 319+37.97
 MECH. RD. RAMP D STA. 400+00.00 TO STA. 401+35.20 TR 420 RAMP D STA. 400+00.00 TO STA. 401+39.70

LEGEND

- | | |
|---|---|
| ① EXISTING STABILIZED SUBBASE 4" | ②② PROPOSED HOT-MIX ASPHALT SHOULDERS, 2 3/4" (W/RUMBLE STRIPS STD. 642001) |
| ② EXISTING CRCP PAVEMENT 8" | ②③ PROPOSED HOT-MIX ASPHALT SHOULDERS, VAR. DEPTH (2" MIN.) |
| ③ EXISTING CONCRETE PAVEMENT, 8" | ②④ PROPOSED LEVELING BINDER (MACHINE METHOD), N70, VAR. DEPTH (3/4" MIN. CH 12, 1" MIN. TR 420), 2/4" MAX.) |
| ④ EXISTING HMA BASE COURSE, 10" | ②⑤ PROPOSED HOT-MIX ASPHALT BINDER COURSE, IL 19.0, N70, VAR. DEPTH (2/4" MIN.) |
| ⑤ EXISTING HMA CONCRETE 3/4" | ②⑥ PROPOSED HOT-MIX ASPHALT SURFACE COURSE, MIX "C", N70, 1/2" |
| ⑥ EXISTING HMA CONCRETE 3 1/4" | ②⑦ PROPOSED AGGREGATE WEDGE SHOULDER, TYPE B |
| ⑦ EXISTING HMA CONCRETE 4 1/4" | ②⑧ PROPOSED CURB REMOVAL |
| ⑧ EXISTING UNDERDRAIN | ②⑨ PROPOSED MEDIAN SURFACE REMOVAL |
| ⑨ EXISTING BITUMINOUS SHOULDER, 8 3/4" | ③① PROPOSED CONC. MEDIAN SURFACE, 4" |
| ⑩ EXISTING BITUMINOUS SHOULDER, 11 1/4" | ③② PROPOSED CORRUGATED MEDIAN |
| ⑪ EXISTING BITUMINOUS SHOULDER, 12 1/4" | ③③ PROPOSED CONCRETE MEDIAN, TYPE SM 6.06 |
| ⑫ EXISTING CC&G, TY M-6.12 | ③④ PROPOSED MODIFIED URETHANE PAVEMENT MARKING, LINE 5" |
| ⑬ EXISTING CONC. MED. SURFACE, 4" | ③⑤ PROPOSED PAINT PAVEMENT MARKING, LINE 5" |
| ⑭ PROPOSED SUBBASE GRANULAR MATERIAL, TYPE B | ③⑥ PROPOSED PAINT PAVEMENT MARKING, LINE 6" |
| ⑮ PROPOSED HOT-MIX ASPHALT SURFACE REMOVAL, 3/4" | ③⑦ PROPOSED EMBANKMENT |
| ⑯ PROPOSED HOT-MIX ASPHALT SURFACE REMOVAL, 1 1/2" | ③⑧ PROPOSED STEEL PLATE BEAM GUARDRAIL, 6' POSTS |
| ⑰ PROPOSED HOT-MIX ASPHALT SURFACE REMOVAL, VAR. DEPTH (2 1/2" MAX.) | ③⑨ PROPOSED TOPSOIL |
| ⑱ PROPOSED HOT-MIX ASPHALT SURFACE REMOVAL, 3/4" | ④① PROP. HOT-MIX ASPHALT BASE COURSE, 14 1/4" |
| ⑲ PROPOSED POLYMERIZED HOT-MIX ASPHALT BINDER COURSE, IL-19.0, N90, 2/4" | ④② PROP. HOT-MIX ASPHALT BASE COURSE, 8 3/4" |
| ⑳ PROPOSED POLYMERIZED HOT-MIX ASPHALT SURFACE COURSE, MIX "D", N90, 1/2" | |
| ㉑ PROPOSED HOT-MIX ASPHALT SHOULDERS, 2" (W/RUMBLE STRIPS STD. 642001) | |

NOTES

- MILL TO BARE CONCRETE ALONG RAMP AND MAINLINE I-72 PAVEMENT.
- NO PROPOSED RUMBLE STRIPS WILL BE PLACED ON INTERCHANGE RAMP SHOULDERS.

USER NAME = sparksgw	DESIGNED - BTM	REVISED -	STATE OF ILLINOIS DEPARTMENT OF TRANSPORTATION	TYPICAL SECTIONS				F.A.I. RTE. 1722	SECTION *	COUNTY SANGAMON	TOTAL SHEETS 194	SHEET NO. 74
PLOT SCALE = 12.0000' / in.	DRAWN - BTM	REVISED -		SCALE:	SHEET NO.	OF SHEETS	STA.	TO STA.	* (84-10-1RS-3,84-10-2RS-4)BR,I	CONTRACT NO. 72C90		
PLOT DATE = Sep-06-2013 09:06:27AM	CHECKED - JSA	REVISED -							ILLINOIS FED. AID PROJECT			
	DATE - 12/19/12	REVISED -										

PAVING SCHEDULE

LOCATION	STATION	TO	STATION	LENGTH (FT)	POLYMERIZED BITUMINOUS MATERIALS (PRIME COAT) (TON)	AGGREGATE PRIME COAT (TON)	POLYMERIZED HOT-MIX ASPHALT BINDER COURSE, IL-19.0, N90 (TON)	POLYMERIZED HOT-MIX ASPHALT SURFACE COURSE, MIX "D", N90 (TON)	POLYMERIZED LEVELING BINDER (MACHINE METHOD) N70 (TON)	POLYMERIZED HOT-MIX ASPHALT BINDER COURSE, IL 19, N70 (TON)	POLYMERIZED HOT-MIX ASPHALT SURFACE COURSE, MIX C N70 (TON)	HMA SHOULDERS (TON)	AGGREGATE SHOULDERS, TYPE B (TON)	HMA BASE COUSE 8 3/4" (SQ YD)	HMA BSE COURSE 14 1/4" (SQ YD)	HMA SURFACE REMOVAL - BUTT JOINT (SY)	TEMPORARY RAMP (SY)
MECHANICSBURG ROAD MAINLINE																	
	85+48.50	TO	85+63.50	15	0.02				3		4					40	6
	85+63.50	TO	91+50.00	587	1.40	3.40			229		153						
	91+50.00	TO	91+84.00	34	0.08	0.20			14		9						
	91+84.00	TO	92+77.60	94	0.32	0.60				123	26						
	92+77.60	TO	93+74.34	96.7	0.11	0.30				81	13						
	93+74.34	TO	97+26.20	351.9	1.11	2.80				476	123				161		
	97+26.20	TO	98+52.90	127	0.35	0.90				190	39				202		7
	101+63.10	TO	102+82.00	119	0.32	0.80				162	36				191		7
	102+82.00	TO	106+23.00	341	0.83	2.10			89	78	92				161		
	106+23.00	TO	112+11.50	588.5	1.22	3.10			204		136						
	112+11.50	TO	112+26.50	15.0	0.02				3		4					40	6
MECHANICSBURG ROAD SHOULDERS																	
	85+48.50	TO	85+63.50	LT/RT	15.0							34	14				
	88+63.50	TO	91+50.00	LT/RT	286.5							58	24				
	91+50.00	TO	92+77.60	LT/RT	127.6							100	33				
	94+00.00	TO	97+26.20	LT	326.2							144	60				
	94+16.50	TO	97+26.20	RT	309.7							137	57				
	97+26.20	TO	98+31.50	LT	105.3							58	26				
	97+26.20	TO	98+42.30	RT	116.1							64	28				
	101+73.70	TO	102+82.01	LT	108.3							57	25				
	101+84.30	TO	102+82.01	RT	97.7							52	23				
	102+82.01	TO	105+94.00	LT	312.0							90	34				
	102+82.01	TO	106+08.50	RT	326.5							91	34				
	106+23.23	TO	107+25.50	LT	102.3							34	14				
	106+23.23	TO	107+70.70	RT	147.5							17	7				
	109+16.00	TO	110+56.66	LT/RT	140.7							28	12				
	110+56.66	TO	112+26.50	LT/RT	169.8							34	14				
MECHANICSBURG RD. RAMP A																	
RAMP PVT	118+80.80	TO	120+04.85		124	0.40		145	48					35			
	118+80.80	TO	118+90.80		10											29	29
OUTSIDE SHLD	118+80.80	RT	120+04.85	RT	124.1							36	6				
INSIDE SHLD	118+80.80	LT	120+04.85	LT	124							11	6				
MECHANICSBURG RD. RAMP B																	
RAMP PVT	200+23.00	TO	201+64.20		141	0.50		157	46					47			
	201+54.20	TO	201+64.20		10											29	29
OUTSIDE SHLD	200+23.00	RT	201+64.20	RT	141							47	6				
INSIDE SHLD	200+23.00	LT	201+64.20	LT	141							14	6				
MECHANICSBURG RD. RAMP C																	
RAMP PVT	319+92.40	TO	320+22.15		30	0.10		77	52					17			
	318+92.40	TO	319+02.40		10											29	29
OUTSIDE SHLD	319+92.40	RT	320+22.15	RT	30							25	1				
INSIDE SHLD	319+92.40	LT	320+22.15	LT	30							8	1				
MECHANICSBURG RD. RAMP D																	
RAMP PVT	400+23.81	TO	401+45.20		121	0.40		65	44					13			
	401+35.20	TO	401+45.20		10											29	29
OUTSIDE SHLD	400+23.81	RT	401+45.20	RT	121							17	6				
INSIDE SHLD	400+23.81	LT	401+45.20	LT	121							7	6				

USER NAME = sparksgw	DESIGNED - BTM	REVISED -	STATE OF ILLINOIS DEPARTMENT OF TRANSPORTATION	SCHEDULE OF QUANTITIES				F.A.I. RTE.	SECTION	COUNTY	TOTAL SHEETS	SHEET NO.
PLT SCALE = 2.0000' / in.	DRAWN - BTM	REVISED -						1722	*	SANGAMON	194	75
PLT DATE = Sep-06-2013 09:07:34AM	CHECKED - JSA	REVISED -		SCALE: SHEET NO. OF SHEETS STA. TO STA.				* (84-10-1RS-3,84-10-2RS-4)BR,I				
FILE NAME = c:\pwork\pwork\sparksgw\d0359822\0672C90.sht.schedule.dgn	DATE - 12/19/12	REVISED -						ILLINOIS FED. AID PROJECT				

(84-10-1)RS-3 & (84-10-2)RS-4

PAVING SCHEDULE

LOCATION	STATION	TO	STATION	LENGTH (FT)	POLYMERIZED BITUMINOUS MATERIALS (PRIME COAT) (TON)	AGGREGATE PRIME COAT (TON)	POLYMERIZED HOT-MIX ASPHALT BINDER COURSE, IL-19.0, N90 (TON)	POLYMERIZED HOT-MIX ASPHALT SURFACE COURSE, MIX "D", N90 (TON)	POLYMERIZED LEVELING BINDER (MACHINE METHOD) N70 (TON)	POLYMERIZED HOT-MIX ASPHALT BINDER COURSE, IL 19, N70 (TON)	POLYMERIZED HOT-MIX ASPHALT SURFACE COURSE, MIXC N70 (TON)	HMA SHOULDERS (TON)	AGGREGATE SHOULDERS, TYPE B (TON)	HMA BASE COUSE 8 3/4" (SQ YD)	HMA BSE COURSE 14 1/4" (SQ YD)	HMA SURFACE REMOVAL - BUTT JOINT (SY)	TEMPORARY RAMP (SY)
TR 420 MAINLINE																	
	287+53.00	TO	293+69.30	616	0.98	2.45			68		109						
	293+69.30	TO	297+03.30	334	1.17	2.92				467	130			164			
	297+03.30	TO	298+21.40	118	0.32	0.81				183	36			189			7
	301+39.20	TO	302+60.70	122	0.33	0.82				153	36			202			7
	302+60.70	TO	306+03.58	342.9	1.21	3.02				370	134			173			
	306+03.58	TO	312+35.00	631.4	1.05	2.62			74	25	116						
	312+35.00	TO	312+50.00	15.0	0.02				3		4					40	6
TR 420 SHOULDERS																	
	293+81.00	TO	297+03.30 LT	322.3								118	46				
	293+94.00	TO	297+03.30 RT	309.3								114	45				
	297+03.30	TO	298+06.00 LT/RT	102.7								105	46				
	301+39.20	TO	302+60.70 LT/RT	121.5								92	38				
	302+60.70	TO	305+66.00 LT	305.3								93	35				
	302+60.70	TO	305+84.40 RT	323.7								97	37				
	307+19.30	TO	311+04.00 LT	384.7								52	22				
	307+66.50	TO	312+50.00 RT	483.5								56	24				
TR 420 RAMP A																	
RAMP PVT	119+32.20	TO	120+70.84	139	0.50		76	50					17				
	119+32.20	TO	119+42.20	10												29	29
OUTSIDE SHLD	119+32.20	RT	120+70.84	RT	139							19	6				
INSIDE SHLD	119+32.20	LT	120+70.84	LT	139							11	6				
TR 420 RAMP B																	
RAMP PVT	200+23.32	TO	201+47.60	124	0.40		68	43					14				
	201+37.60	TO	201+47.60	10												29	29
OUTSIDE SHLD	200+23.32	RT	201+47.60	RT	124							15	6				
INSIDE SHLD	200+23.32	LT	201+47.60	LT	124							11	6				
TR 420 RAMP C																	
RAMP PVT	317+83.20	TO	319+14.16	131	0.50		83	47					16				
	318+83.20	TO	318+93.20	10												29	29
OUTSIDE SHLD	317+83.20	RT	319+14.16	RT	131							17	6				
INSIDE SHLD	317+83.20	LT	319+14.16	LT	131							4	6				
TR 420 RAMP D																	
RAMP PVT	400+23.78	TO	401+49.70	126	0.40		70	48					14				
	401+39.70	TO	401+49.70	10												29	29
OUTSIDE SHLD	400+23.78	RT	401+49.70	RT	126							18	6				
INSIDE SHLD	400+23.78	LT	401+49.70	LT	126							11	6				
TOTALS =					14.1	26.8	741	378	687	2,308	1,200	1,996	957	728	715	352	278

PAVEMENT PATCHING SCHEDULE

LOCATION	STATION	TO	STATION	CLASS D PATCHES, TY II, 8" (SQ YD)	CLASS D PATCHES, TY III, 8" (SQ YD)	CLASS D PATCHES, TY IV, 8" (SQ YD)
TR 420 MAINLINE						
	310+36.00	TO	312+50.00	80		
	387+53.00	TO	312+50.00	15.0	70	100
	276+08.75	TO	287+53.00			
TOTALS =				95.0	70.0	100

STATE OF ILLINOIS
DEPARTMENT OF TRANSPORTATION

SCHEDULE OF QUANTITIES

F.A.I. RTE.	SECTION	COUNTY	TOTAL SHEETS	SHEET NO.
1722	*	SANGAMON	194	76
* (84-10-1RS-3,84-10-2RS-4)BR,I			CONTRACT NO. 72C90	
ILLINOIS FED. AID PROJECT				

SCALE: SHEET NO. OF SHEETS STA. TO STA.

REMOVAL SCHEDULE										
LOCATION	STATION	TO	STATION	LENGTH (FT)	HMA SURF REM, 3/4" (SQ YD)	HMA SURF REM, 1 1/2" (SQ YD)	HMA SURF REM, 2 1/2" MAX (SQ YD)	HMA SURF REM, 3 1/4" (SQ YD)	PVMT REMOVAL (SQ YD)	BUTT JOINT (SQ YD)
MECHANICSBURG RD. MAINLINE										
	85+48.50	TO	85+63.50	15						40
	85+63.50	TO	91+50.00	587		1,695				
	91+50.00	TO	91+83.97	34			106			
	98+46.90	TO	98+82.88	36					184	
	101+33.13	TO	101+69.10	36					184	
	104+32.49	TO	104+76.26	44		195				
	105+23.73	TO	108+00.00	276		1,413				
	108+00.00	TO	112+11.50	412			1,189			
	112+11.50	TO	112+26.50	15						40
RIGHT SHLDRS										
	85+48.50	TO	87+71.00	223			198			
	88+32.00	TO	88+63.07	31			28			
	88+63.07	TO	91+50.00	287			255			
	109+16.00	TO	110+56.66	141			125			
	110+56.66	TO	112+26.40	170			151			
LEFT SHLDRS										
	85+48.50	TO	88+63.07	315			280			
	88+63.07	TO	91+50.00	287			255			
	109+16.00	TO	110+56.66	141			125			
	110+56.66	TO	112+26.46	170			151			
MECHANICSBURG RD. RAMP A										
RAMP PVT	118+80.80	TO	118+90.80	10						
	118+90.80	TO	120+05.00	114				553		
RT SHLD	118+90.80	TO	120+05.00	114.2		160				
LT SHLD	118+90.80	TO	120+05.00	114.2		49				
MECHANICSBURG RD. RAMP B										
RAMP PVT	201+54.20	TO	201+64.20	10						18
	200+23.00	TO	201+54.20	131				523		
RT SHLD	200+23.00	TO	201+54.20	131		128				
LT SHLD	200+23.00	TO	201+54.20	147		68				
MECHANICSBURG RD. RAMP C										
RAMP PVT	318+92.40	TO	319+02.40	10						18
	319+02.40	TO	320+22.00	120				593		
RT SHLD	319+02.40	TO	320+22.00	120		162				
LT SHLD	319+02.40	TO	320+22.00	120		51				
MECHANICSBURG RD. RAMP D										
RAMP PVT	401+35.20	TO	401+45.20	10						18
	400+23.00	TO	401+35.20	112				496		
RT SHLD	400+23.00	TO	401+35.20	85		107				
LT SHLD	400+23.00	LT	401+35.20	47		46				

REMOVAL SCHEDULE										
LOCATION	STATION	TO	STATION	LENGTH (FT)	HMA SURF REM, 3/4" (SQ YD)	HMA SURF REM, 1 1/2" (SQ YD)	HMA SURF REM, 2 1/2" MAX (SQ YD)	HMA SURF REM, 3 1/4" (SQ YD)	PVMT REMOVAL (SQ YD)	BUTT JOINT (SQ YD)
TR 420 MAINLINE										
	276+08.75	TO	276+27.00	18						
	276+27.00	TO	278+09.99	183						
	278+09.99	TO	286+20.98	811						
	286+20.98	TO	293+69.30	748						
	293+69.30	TO	298+15.40	446	1,940					
	298+15.40	TO	298+51.38	36					184	
	301+09.22	TO	301+45.20	36					184	
	301+45.20	TO	306+03.58	458	1,991					
	306+03.58	TO	312+35.00	631	1,875					
	312+35.00	TO	312+50.00	15						40
RIGHT SHLDRS										
	276+08.75	TO	276+27.00	18	37					
	276+27.00	TO	292+61.00	1,634	1,453					
	293+91.00	TO	298+06.00	415	461					
	301+54.00	TO	305+86.00	432	480					
	307+66.00	TO	312+50.00	484	430					
LEFT SHLDRS										
	276+08.75	TO	276+27.00	18	22					
	276+27.00	TO	280+76.00	449	399					
	281+29.00	TO	286+20.98	492	438					
	287+00.00	TO	292+07.00	507	451					
	293+80.00	TO	298+06.00	426	474					
	301+54.00	TO	305+64.00	410	456					
	307+19.00	TO	311+00.00	381	399					
	311+96.00	TO	312+50.00	54	48					
TR 420 RAMP A										
RAMP PVT	119+32.20	TO	119+42.20	10						18
	119+42.20	TO	120+71.00	129				593		
RT SHLD	119+42.20	TO	120+71.00	129		155				
LT SHLD	119+42.20	TO	120+71.00	129		58				
TR 420 RAMP B										
RAMP PVT	201+37.60	TO	201+47.60	10						18
	200+23.00	TO	201+37.60	115				513		
RT SHLD	200+23.00	TO	201+37.60	156		123				
LT SHLD	200+23.00	TO	201+37.60	105		53				
TR 420 RAMP C										
RAMP PVT	317+83.20	TO	317+93.20	10						18
	317+93.20	TO	319+14.00	121				558		
RT SHLD	317+93.20	TO	319+14.00	121		134				
LT SHLD	317+93.20	TO	319+14.00	121		49				
TR 420 RAMP D										
RAMP PVT	401+39.70	TO	401+49.70	10						18
	400+24.00	TO	401+39.70	116				563		
RT SHLD	400+24.00	TO	401+39.70	69		122				
LT SHLD	400+24.00	TO	401+39.70	32		50				
					TOTALS =					
					11,354	4,818	2,863	4,392	736	246

USER NAME = spksgw PLOT SCALE = 2.0000' / in. PLOT DATE = Sep-06-2013 09:08:33AM	DESIGNED - BTM	REVISED -	STATE OF ILLINOIS DEPARTMENT OF TRANSPORTATION	SCHEDULE OF QUANTITIES			F.A.I. RTE.	SECTION	COUNTY	TOTAL SHEETS	SHEET NO.
	DRAWN - BTM	REVISED -					1722	*	SANGAMON	194	77
	CHECKED - JSA	REVISED -					* (84-10-1RS-3,84-10-2RS-4)BR,I				
	DATE - 12/19/12	REVISED -					ILLINOIS FED. AID PROJECT				
SCALE:				SHEET NO.	OF	SHEETS	STA.	TO STA.			
(84-10-1,2)RS-3 & (84-10-2)RS-4											

GUARDRAIL SCHEDULE										
LOCATION	STATION	TO	STATION	GUARDRAIL REM (FOOT)	SPBGR, TYA, 6' POSTS (FOOT)	REM & RE-ERECT SPBGR TY A (FOOT)	TRAF BAR TERM, TY 1 (SPEC) TANGENT (EACH)	REM & RE-ERECT TRAF BAR TERM TY 1 (EACH)	TRAF BAR TERM, TY 6 (EACH)	REM & RE-ERECT TRAF BAR TERM, TY 6 (EACH)
MECHANICSBURG RD. MAINLINE										
	97+04.00 RT	TO	98+87.00 RT	183						
	97+29.00 RT	TO	97+54.00 RT				1			
	97+54.00 RT	TO	98+41.50 RT		87.5					
	98+41.50 RT	TO	98+84.64 RT						1	
*	101+39.60 RT	TO	101+82.74 RT						1	
*	101+82.74 RT	TO	102+70.24 RT		87.5					
*	102+70.24 RT	TO	102+95.24 RT				1			
	101+39.60 RT	TO	102+95.24 RT	156						
*	97+46.00 LT	TO	97+71.00 LT					1		
*	97+71.00 LT	TO	98+58.50 LT			87.5				
*	98+58.50 LT	TO	99+01.64 LT							1
	97+46.00 LT	TO	99+01.64 LT	156						
	101+31.00 LT	TO	103+12.00 LT	181						
	101+31.36 LT	TO	101+74.50 LT						1	
	101+74.50 LT	TO	102+62.00 LT		87.5					
	102+62.00 LT	TO	102+87.00 LT				1			
TR 420 MAINLINE										
	297+26.00 RT	TO	297+51.00 RT	125						
	296+91.00 RT	TO	297+16.00 RT				1			
	297+16.00 RT	TO	298+03.50 RT		87.5					
	298+03.50 RT	TO	298+46.64 RT						1	
*	301+09.36 RT	TO	301+52.50 RT						1	
*	301+52.50 RT	TO	302+40.00 RT		87.5					
*	302+40.00 RT	TO	302+65.00 RT				1			
	301+09.36 RT	TO	302+65.00 RT	156						
*	296+91.00 LT	TO	297+16.00 LT					1		
*	297+16.00 LT	TO	298+03.50 LT			87.5				
*	298+03.50 LT	TO	298+46.64 LT							1
	296+91.00 LT	TO	298+46.64 LT	156						
	301+09.00 LT	TO	302+34.00 LT	125						
	301+09.36 LT	TO	301+52.50 LT						1	
	301+52.50 LT	TO	302+40.00 LT		87.5					
	302+40.00 LT	TO	302+65.00 LT				1			
TOTALS =				1,238	525.0	175	6	2	6	2

* FOR STAGE CONSTRUCTION ONLY

EROSION CONTROL SCHEDULE				
LOCATION	STATION	TO	STATION	PERIMETER EROS BAR (FOOT)
MECHANICSBURG RD. MAINLINE				
	88+00.00 LT	TO	93+65.00 LT	572
	90+50.00 RT	TO	93+40.00 RT	338
	106+80.00 LT	TO	112+27.00 LT	544
	107+00.00 RT	TO	112+27.00 RT	538
TR 420 MAINLINE				
	291+50.00 LT	TO	293+10.00 RT	174
	292+70.00 RT	TO	293+25.00 RT	98
	306+35.00 LT	TO	308+50.00 LT	272
	306+45.00 RT	TO	308+50.00 RT	218
TOTAL =				2,754

TRAFFIC CONTROL SCHEDULE									
LOCATION	STATION	TO	STATION	TEMP CONC BAR (FOOT)	RELOCATE TEMP CONC BAR (FOOT)	IMP ATTEN TEMP (FULL RE-DIRECT, NARROW) TEST LVL 3 (EACH)	IMP ATTEN RELOCATE (FULL RE-DIRECT, NARROW) TEST LVL 3 (EACH)	TEMP BRIDGE TRAFFIC SIGNALS (EACH)	
MECHANICSBURG RD. MAINLINE									
	STAGE I	96+53.00 LT	TO	96+59.00 LT			1		
		96+59.00	TO	103+59.00	700				
		103+59.00 LT	TO	103+65.00 LT			1		
	STAGE II	96+52.00 RT	TO	96+58.00 RT			1		
		96+58.00	TO	103+58.00	700				
		103+58.00 RT	TO	103+64.00 RT			1		
TR 171									
	STAGE I	195+90 RT						1	
		197+31.70 LT	TO	197+37.70 LT		1			
		197+37.70	TO	202+74.80	537.5				
		202+74.80 LT	TO	202+80.80 LT		1			
	STAGE II	197+44.00 RT	TO	197+50.00 RT			1		
		197+50.00	TO	202+62.40	512.5				
		202+62.40 RT	TO	202+68.40 RT			1		
		204+55 RT						1	
TR 420 MAINLINE									
	STAGE I	296+16.00 LT	TO	296+22.00 LT		1			
		296+22.00	TO	303+34.00	712.5				
		303+34.00 LT	TO	303+40.00 LT		1			
	STAGE II	296+16.00 RT	TO	296+22.00 RT			1		
		296+22.00	TO	303+34.00	712.5				
		303+34.00 RT	TO	303+40.00 RT			1		
TOTALS =				1,950.0	1,925.0	6	6	2	

USER NAME = sparksgw DESIGNED - BTM DRAWN - BTM PLOT SCALE = 2.0000' / in. CHECKED - JSA PLOT DATE = Sep-06-2013 09:09:02AM DATE - 12/19/12 REVISED - REVISED - REVISED - REVISED -	STATE OF ILLINOIS DEPARTMENT OF TRANSPORTATION	SCHEDULE OF QUANTITIES SCALE: SHEET NO. OF SHEETS STA. TO STA.	F.A.I. RTE. SECTION * COUNTY SANGAMON TOTAL SHEETS 194 SHEET NO. 78 * (84-10-1RS-3,84-10-2RS-4)BR,I CONTRACT NO. 72C90 ILLINOIS FED. AID PROJECT (84-10-1,2)RS-3 & (84-10-2)RS-4
---	---	--	--

PAVEMENT MARKING SCHEDULE

LOCATION	STATION		TO	STATION		LENGTH	MODIFIED URETHANE PVT MKG-LINE 5"		MODIFIED URETHANE PVT MKG-LINE 6"	PREF. PLASTIC PVT. MKG, TY. B INLAID-LINE 8"	PREF. PLASTIC PVT. MKG, TY. B INLAID-LINE 12"	PREF. PLASTIC PVT. MKG, TY. B INLAID-LINE 24"	PREF. PLASTIC PVT. MKG, TY. B INLAID-LTRS. & SYMB.	RAISED REFLECTIVE PAVEMENT MARKERS	RAISED REFLECTIVE PVT MARKER REMOVAL	SHORT-TERM PVT MKG	WORK ZONE PVT. MARKING REM.	GROOVING FOR RECESSED PVMT MKG 6"	GROOVING FOR RECESSED PVMT MKG 7"
							WHITE (FT)	YELLOW (FT)	WHITE (FT)	(FT)	(FT)	(FT)	(SQ FT)	(EACH)	(EACH)	(FT)	(SQ FT)	(FT)	(FT)
MECHANICSBURG RD. MAINLINE																			
	85+48.50	CL RL	TO	87+60.00	CL RL	212	423	423						9	9	38	13	846	
	87+60.00	LT	TO	88+40.00	LT	80	80											80	
	88+40.00	CL RL	TO	92+25.00	CL R	385	770	770						18	18			1,540	
	92+25.00	CL R	TO	92+90.00	RT	65	65	130						4	4	12	4	195	
	92+90.00	CL	TO	93+74.34	CL	84		169						9	9	15	5	169	
	94+82.00	TL	TO	96+41.00	TL	159		159								29	9		159
	95+12.00	TL										15.6							
	96+37.00	TL										15.6							
	94+04.00	LT	TO	94+82.00	LT	78	78									14	5	78	
	94+82.00	CL LT	TO	105+10.00	CL LT	1,028	1,028	2,056						46	46	185	61	3,084	
	96+41.00	TL	TO	97+80.00	TL	139		35											35
	102+83.00	TL	TO	103+72.00	TL	89		22											22
	103+79.00	TL										15.6							
	104+82.00	TL										15.6							
	103+72.00	TL	TO	105+10.00	TL	138		138								25	8		138
	94+15.00	RT	TO	106+04.00	RT	1,189	1,189									214	71	1,189	
	105+10.00	LT	TO	105+94.00	LT	84	84									15	5	84	
	106+23.00	CL L	TO	112+26.46	CL L	603		1,207						38	38			1,207	
	107+10.00	LT	TO	112+26.46	LT	516	516									93	31	516	
	107+72.00	RT	TO	112+26.46	RT	454	454									82	27	454	
MECHANICSBURG RD. RAMP A																			
	118+80.80		TO	120+05.00		124	228	221		160	36	36		5	5	21	7	449	
MECHANICSBURG RD. RAMP B																			
	200+23.00		TO	201+64.20		141	174	95								24	8	269	
MECHANICSBURG RD. RAMP C																			
	318+92.40		TO	320+24.00		132	224	76		182	42	36		4	4	22	7	300	
MECHANICSBURG RD. RAMP D																			
	400+24.00		TO	401+45.20		121	149	108								20	7	257	

USER NAME = sparksgw	DESIGNED - BTM	REVISED -	STATE OF ILLINOIS DEPARTMENT OF TRANSPORTATION	SCHEDULE OF QUANTITIES			F.A.I. RTE.	SECTION	COUNTY	TOTAL SHEETS	SHEET NO.
PLOT SCALE = 2.0000' / in.	DRAWN - BTM	REVISED -					1722	*	SANGAMON	194	79
PLOT DATE = Sep-06-2013 09:28AM	CHECKED - JSA	REVISED -		SCALE: SHEET NO. OF SHEETS STA. TO STA.			* (84-10-1RS-3,84-10-2RS-4)BR,I CONTRACT NO. 72C90				
	DATE - 12/19/12	REVISED -					ILLINOIS FED. AID PROJECT (84-10-1,2)RS-3 & (84-10-2)RS-4				

PAVEMENT MARKING SCHEDULE

LOCATION	STATION		TO	STATION		LENGTH (FT)	MODIFIED URETHANE PVT MKG-LINE 5"		MODIFIED URETHANE PVT MKG-LINE 6"	PREF. PLASTIC PVT. MKG, TY. B INLAID-LINE 8"	PREF. PLASTIC PVT. MKG, TY. B INLAID-LINE 12"	PREF. PLASTIC PVT. MKG, TY. B INLAID-LINE 24"	PREF. PLASTIC PVT. MKG, TY. B INLAID-LTRS. & SYMB.	RAISED REFLECTIVE PAVEMENT MARKERS	RAISED REFLECTIVE PVT MARKER REMOVAL	SHORT-TERM PVT MKG	WORK ZONE PVT. MARKING REM.	GROOVING FOR RECESSED PVT MKG 6"	GROOVING FOR RECESSED PVT MKG 7"
							WHITE (FT)	YELLOW (FT)	WHITE (FT)	(FT)	(FT)	(FT)	(SQ FT)	(EACH)	(EACH)	(FT)	(SQ FT)	(FT)	(FT)
FAU 7979/TR 420 MAINLINE																			
	276+07.00	CL RL	TO	277+17.00	CL RL	110	288	90			22								
	277+17.00	CL RL	TO	280+70.00	CL RL	353	706	706											
	280+70.00	RT	TO	281+35.00	RT	65	65												
	281+35.00	CL RL	TO	286+00.00	CL RL	465	930	930											
	286+00.00	RT	TO	287+19.00	RT	119	119												
	287+19.00	CL RL	TO	292+07.00	CL RL	488	976	976					13	13					
	292+07.00	CL RT	TO	292+75.00	CL RT	68	68	136								12	4		
	292+75.00	CL	TO	293+69.00	CL	94	94	188					13	13					
	293+80.00	LT	TO	294+70.00	LT	90	90									16	5		
	294+82.00	TL										15.6							
	296+07.00	TL										15.6							
	294+70.00	CL LT	TO	305+05.00	CL LT	1,035	1,035	2,070						46	46	186	61		
	294+70.00	TL	TO	296+12.00	TL	142			142										
	296+12.00	TL	TO	297+03.00	TL	91			23										
	293+92.00	RT	TO	305+80.00	RT	1,188	1,188									214	71		
	302+61.00	TL	TO	303+59.00	TL	98			25										
	303+64.00												15.6						
	304+64.00												15.6						
	303+59.00	TL	TO	305+05.00	TL	146			146							26	9		
	305+05.00	LT	TO	305+65.00	LT	60	60									11	4		
	307+20.00	LT	TO	310+83.00	LT	363	363									65	22		
	306+04.00	CL	TO	310+83.00	CL	479		958						30	30				
	307+45.00	RT	TO	312+50.00	RT	505	505									91	30		
	312+00.00	LT	TO	312+50.00	LT	50	50	100								9	3		
	281+00.00	LT	TO				96												
	286+60.50	LT	TO				168												
	311+15.00	CL	TO	312+50.00	CL	135		270					2	2					
	311+49.30	LT	TO				170												
TR 420 RAMP A																			
	119+32.26		TO	120+70.84		139	227	139		172	37	36		4	4	23	9		
TR 420 RAMP B																			
	200+23.00		TO	201+47.60		125	188	134								19	8		
TR 420 RAMP C																			
	317+83.20		TO	319+14.00		131	220	128		178	39	36		4	4	22	7		
TR 420 RAMP D																			
	400+24.00		TO	401+49.70		126	168	126								21	7		
TOTALS =							13,143	12,205	689	692	154	166	125	245	245	1,524	508	10,717	354

USER NAME = sparksgw PLOT SCALE = 2.0000' / in. PLOT DATE = Sep-06-2013 09:09:55AM	DESIGNED - BTM DRAWN - BTM CHECKED - JSA DATE - 12/19/12	REVISED - REVISED - REVISED - REVISED -	STATE OF ILLINOIS DEPARTMENT OF TRANSPORTATION	SCHEDULE OF QUANTITIES SCALE: SHEET NO. OF SHEETS STA. TO STA.	F.A.I. RTE. 1722 SECTION * COUNTY SANGAMON TOTAL SHEETS 194 SHEET NO. 80 * (84-10-1RS-3,84-10-2RS-4)BR,I ILLINOIS FED. AID PROJECT CONTRACT NO. 72C90 (84-10-1,2)RS-3 & (84-10-2)RS-4
--	---	--	---	--	---

CURB, GUTTER, AND MEDIAN SCHEDULE												
LOCATION	STATION	TO	STATION	COMBINATION CURB & GUTTER REM (FOOT)	MEDIAN REM (SQ FT)	MEDIAN SURFACE REM (SQ FT)	SUBBASE GRANULAR MATERIAL, TYPE B (TON)	PRISMATIC CURB REFL. (EACH)	CC&G TY M-6.06 (FOOT)	CC&G TY M-6.24 (FOOT)	CONC MED. TY SM (SQ FT)	CONC MED SURF. 4" (SQ FT)
	91+50.00	TO	92+77.60	255.1				13	254.8			
	92+77.60	TO	93+81.33	212.6				11	211.5			
	93+81.33	TO	97+26.20	484.4		690.1	50.7	24	475.1			1026.7
	97+26.20	TO	98+82.88	312.0		1754.0	98.5		313.7			1995.3
	101+33.10	TO	102+82.01	298.1		1712.7	92.3		298.1			1869.2
	102+82.01	TO	106+23.23	456.5		676.3	71.7			1452.5		
	106+23.23	TO	109+16.00	590.2					701.7			
	109+16.00	TO	110+56.66	283.6		1461.8			283.6			1426.5
	110+56.66	TO	112+26.46	122.4		203.7			120.8			229.1
MECHANICSBURG RD. RAMP A	118+80.80	TO	120+28.66	52.5	129.1				16.7			105.1
	119+80.73	TO	119+99.01						36.0			
MECHANICSBURG RD. RAMP C	319+92.40	TO	320+45.97	50.7	122.7				14.9			86.8
	319+96.60	TO	320+13.26						34.0			
TR 420 MAINLINE	286+20.98	TO	293+63.30	1,018.0					998.9			
	293+69.30	TO	297+03.30	467.7		686.5	49.2			996.1		
	297+03.30	TO	298+21.40	236.4		1,253.6	68.3		236.4			1,382.0
	301+39.20	TO	302+60.70	243.2		1,273.1	69.7		250.2			1,412.3
	302+60.70	TO	306+03.58	486.3		702.1	51.7			1,047.5		
	306+03.58	TO	312+50.00	872.6		4,862.4			875.1			
TR 420 RAMP A	119+32.20	TO	120+93.84	47.9	113.1				31.5			129.5
	120+64.80	TO	120+42.68						22.1			
TR 420 RAMP C	317+83.20	TO	319+37.97	75.4	268.3				22.6			251.2
	318.83.91	TO	319.07.78						52.1			
TOTALS =				6,956.4	633.2	16,799.8	552.1	68.0	5,494.1	144.2	3,496.1	11,460.1

EARTHWORK SCHEDULE						
LOCATION			EARTH EXCAVATION	EARTH EXCAVATION ADJUSTMENT FOR SHRINKAGE	EMBANKMENT (FILL)	EARTH BALANCE WASTE (+) OR SHORTAGE (-) (FURNISHED EXCAVATION)
			CU YD	CU YD	CU YD	CU YD
MECHANICSBURG RD.						
88+50.00	to	98+46.90	59	44	276	-232
101+63.10	to	112+26.46	171	128	190	-62
MECHANICSBURG RD. RAMP A						
119+00.00	to	120+00.00	0	0	36	-36
MECHANICSBURG RD. RAMP B						
200+00.00	to	201+50.00	0	0	24	-24
MECHANICSBURG RD. RAMP C						
318+00.00	to	319+50.00	0	0	0	0
MECHANICSBURG RD. RAMP D						
400+00.00	to	401+50.00	0	0	0	0
TR 420						
288+61.00	to	298+21.00	129	97	191	-94
301+39.00	to	310+83.00	77	58	219	-161
TR 420 RAMP A						
120+00.00	to	121+00.00	17	13	3	10
TR 420 RAMP B						
200+00.00	to	201+00.00	0	0	8	-8
TR 420 RAMP C						
318+00.00	to	319+50.00	61	46	3	43
TR 420 RAMP D						
400+00.00	to	401+50.00	0	0	8	-8
TOTAL=			514	386	958	-573

EARTH EMBANKMENT SHRINKAGE FACTOR = 25%

USER NAME = spksgw	DESIGNED - BTM	REVISED -	STATE OF ILLINOIS DEPARTMENT OF TRANSPORTATION	SCHEDULE OF QUANTITIES			F.A.I. RTE.	SECTION	COUNTY	TOTAL SHEETS	SHEET NO.
PLOT SCALE = 2.0000' / in.	DRAWN - BTM	REVISED -					1722	*	SANGAMON	194	81
PLOT DATE = Sep-06-2013 09:10:22AM	CHECKED - JSA	REVISED -		SCALE: SHEET NO. OF SHEETS STA. TO STA.			* (84-10-1RS-3,84-10-2RS-4)BR,I CONTRACT NO. 72C90				
PLOT DATE = Sep-06-2013 09:10:22AM	DATE - 12/19/12	REVISED -					ILLINOIS FED. AID PROJECT (84-10-1,2)RS-3 & (84-10-2)RS-4				

SEEDING SCHEDULE										
LOCATION	STATION	TO	STATION	AREA (SQ FT)	SEEDING, CL 2 (ACRE)	MULCH, METHOD 2 (ACRE)	AGRICULT GROUND LIMESTONE (TON)	PHOS FERT NUTR (POUND)	POT FERT NUTR (POUND)	NITROGEN FERT NUTR (POUND)
MECHANICSBURG RD. MAINLINE										
	88+50.00	TO	89+00.00	100	0.00	0.00	0.00	0	0	0
	89+00.00	TO	89+50.00	142	0.00	0.00	0.01	0	0	0
	89+50.00	TO	90+00.00	117	0.00	0.00	0.01	0	0	0
	90+00.00	TO	90+50.00	118	0.00	0.00	0.01	0	0	0
	90+50.00	TO	91+00.00	107	0.00	0.00	0.00	0	0	0
	91+00.00	TO	91+50.00	202	0.00	0.00	0.01	0	0	0
	91+50.00	TO	92+00.00	474	0.01	0.01	0.02	1	1	1
	92+00.00	TO	92+50.00	689	0.02	0.02	0.03	1	1	1
	92+50.00	TO	93+00.00	841	0.02	0.02	0.04	2	2	2
	93+00.00	TO	93+50.00	1,194	0.03	0.03	0.05	2	2	2
	93+50.00	TO	94+00.00	300	0.01	0.01	0.01	1	1	1
	94+00.00	TO	94+50.00	1,266	0.03	0.03	0.06	3	3	3
	94+50.00	TO	95+00.00	531	0.01	0.01	0.02	1	1	1
	95+00.00	TO	95+50.00	307	0.01	0.01	0.01	1	1	1
	95+50.00	TO	96+00.00	325	0.01	0.01	0.01	1	1	1
	96+00.00	TO	96+50.00	437	0.01	0.01	0.02	1	1	1
	96+50.00	TO	97+00.00	564	0.01	0.01	0.03	1	1	1
	97+00.00	TO	97+50.00	581	0.01	0.01	0.03	1	1	1
	97+50.00	TO	98+00.00	622	0.01	0.01	0.03	1	1	1
	98+00.00	TO	98+37.00	3,277	0.08	0.08	0.15	7	7	7
	101+79.00	TO	102+00.00	940	0.02	0.02	0.04	2	2	2
	102+00.00	TO	102+50.00	3,986	0.09	0.09	0.18	8	8	8
	102+50.00	TO	103+00.00	748	0.02	0.02	0.03	2	2	2
	103+00.00	TO	103+50.00	644	0.01	0.01	0.03	1	1	1
	103+50.00	TO	104+00.00	546	0.01	0.01	0.03	1	1	1
	104+00.00	TO	104+50.00	378	0.01	0.01	0.02	1	1	1
	104+50.00	TO	105+00.00	269	0.01	0.01	0.01	1	1	1
	105+00.00	TO	105+50.00	264	0.01	0.01	0.01	1	1	1
	105+50.00	TO	106+00.00	70	0.00	0.00	0.00	0	0	0
	106+00.00	TO	106+50.00							
	106+50.00	TO	107+00.00	221	0.01	0.01	0.01	0	0	0
	107+00.00	TO	107+50.00	234	0.01	0.01	0.01	0	0	0
	107+50.00	TO	108+00.00	240	0.01	0.01	0.01	0	0	0
	108+00.00	TO	108+50.00	216	0.00	0.00	0.01	0	0	0
	108+50.00	TO	109+00.00	167	0.00	0.00	0.01	0	0	0
	109+00.00	TO	109+50.00	128	0.00	0.00	0.01	0	0	0
	109+50.00	TO	110+00.00	101	0.00	0.00	0.00	0	0	0
	110+00.00	TO	110+50.00	69	0.00	0.00	0.00	0	0	0
	110+50.00	TO	111+00.00	140	0.00	0.00	0.01	0	0	0
	111+00.00	TO	111+50.00	162	0.00	0.00	0.01	0	0	0
	111+50.00	TO	112+00.00	122	0.00	0.00	0.01	0	0	0
	112+00.00	TO	112+26.46	28	0.00	0.00	0.00	0	0	0

SEEDING SCHEDULE										
LOCATION	STATION	TO	STATION	AREA (SQ FT)	SEEDING, CL 2 (ACRE)	MULCH, METHOD 2 (ACRE)	AGRICULT GROUND LIMESTONE (TON)	PHOS FERT NUTR (POUND)	POT FERT NUTR (POUND)	NITROGEN FERT NUTR (POUND)
TR 420 MAINLINE										
	291+50.00	TO	292+00.00	93	0.002	0.002	0.004	0	0	0
	292+00.00	TO	292+50.00	166	0.00	0.00	0.01	0	0	0
	292+50.00	TO	293+00.00	194	0.00	0.00	0.01	0	0	0
	293+00.00	TO	293+50.00	166	0.00	0.00	0.01	0	0	0
	293+50.00	TO	294+00.00	1,252	0.03	0.03	0.06	3	3	3
	294+00.00	TO	294+50.00	817	0.02	0.02	0.04	2	2	2
	294+50.00	TO	295+00.00	876	0.02	0.02	0.04	2	2	2
	295+00.00	TO	295+50.00	437	0.01	0.01	0.02	1	1	1
	295+50.00	TO	296+00.00	355	0.01	0.01	0.02	1	1	1
	296+00.00	TO	296+50.00	635	0.01	0.01	0.03	1	1	1
	296+50.00	TO	297+00.00	728	0.02	0.02	0.03	2	2	2
	297+00.00	TO	297+50.00	654	0.02	0.02	0.03	1	1	1
	297+50.00	TO	298+00.00	562	0.01	0.01	0.03	1	1	1
	298+00.00	TO	298+50.00	3,967	0.09	0.09	0.18	8	8	8
	301+50.00	TO	302+00.00	3,915	0.09	0.09	0.18	8	8	8
	302+00.00	TO	302+50.00	523	0.01	0.01	0.02	1	1	1
	302+50.00	TO	303+00.00	633	0.01	0.01	0.03	1	1	1
	303+00.00	TO	303+50.00	731	0.02	0.02	0.03	2	2	2
	303+50.00	TO	304+00.00	710	0.02	0.02	0.03	1	1	1
	304+00.00	TO	304+50.00	643	0.01	0.01	0.03	1	1	1
	304+50.00	TO	305+00.00	538	0.01	0.01	0.02	1	1	1
	305+00.00	TO	305+50.00	347	0.01	0.01	0.02	1	1	1
	305+50.00	TO	306+00.00	196	0.00	0.00	0.01	0	0	0
	306+00.00	TO	306+50.00	194	0.004	0.004	0.01	0.4	0.4	0.4
	306+50.00	TO	307+00.00	641	0.01	0.01	0.03	1	1	1
	307+00.00	TO	307+50.00	576	0.01	0.01	0.03	1	1	1
	307+50.00	TO	308+00.00	474	0.011	0.011	0.022	1.0	1.0	1.0
	308+00.00	TO	308+50.00	198	0.005	0.005	0.009	0.4	0.4	0.4
TOTALS =					0.9	0.9	2.0	90	90	90

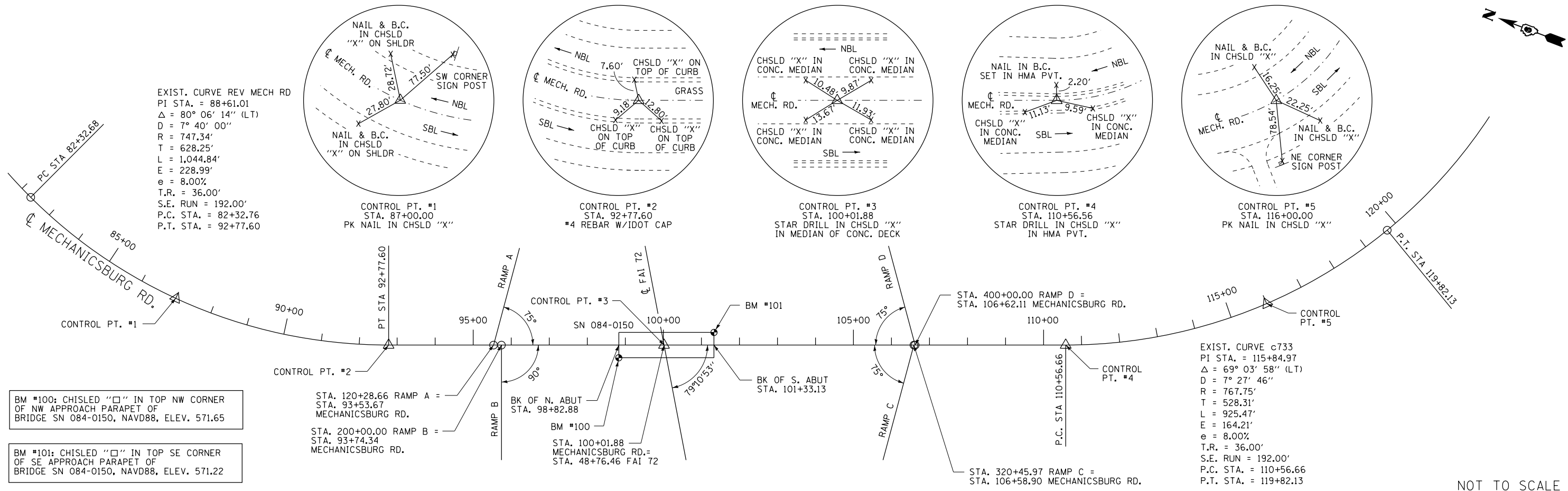
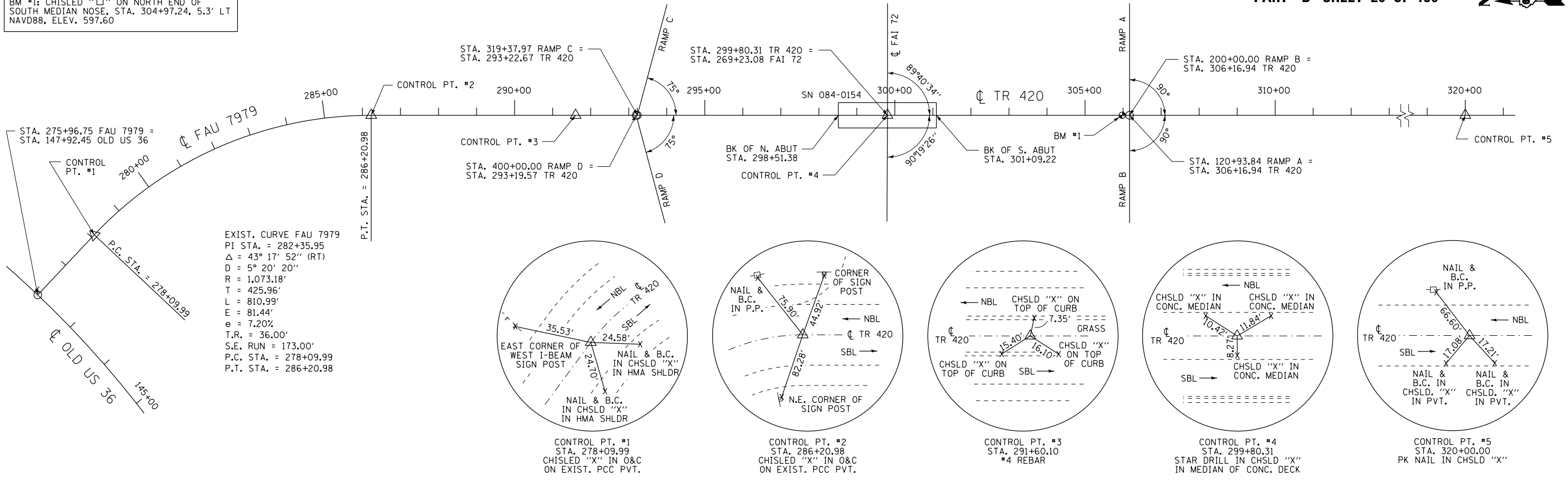
USER NAME = sparksgw DESIGNED - BTM DRAWN - BTM PLOT SCALE = 2.0000' / in. CHECKED - JSA PLOT DATE = Sep-06-2013 09:10:48AM DATE - 12/19/12 REVISOR -	STATE OF ILLINOIS DEPARTMENT OF TRANSPORTATION	SCHEDULE OF QUANTITIES SCALE: SHEET NO. OF SHEETS STA. TO STA.			F.A.I. RTE.	SECTION	COUNTY	TOTAL SHEETS	SHEET NO.
					1722	*	SANGAMON	194	82
					* (84-10-1RS-3,84-10-2RS-4)BR,I				CONTRACT NO. 72C90
					ILLINOIS FED. AID PROJECT				
FILE NAME = c:\pw\work\pwt\dot\sparksgw\d0359822\0672C90_sht.schedule.dgn					(84-10-1,2)RS-3 & (84-10-2)RS-4				

DRAINAGE SCHEDULE															
LOCATION	STATION	TO	STATION	PIPE CULV REM (FOOT)	PLUG EXIST CULVERTS (EACH)	INLETS TO BE ADJUSTED (EACH)	FILLING INLETS (EACH)	FILLING EXIST CULVERTS (EACH)	REM INLET BOX (EACH)	STONE RIPRAP CL A4 (SQ YD)	FILTER FABRIC FOR RIPRAP (SQ YD)	TY D INLET BOX (STD 609006) (EACH)	METAL END SECTIONS, 12" (SQ FT)	TRENCH BACKFILL (CU YD)	PIPE CULV, CL A, TY 1, 12" (FOOT)
MECHANICSBURG RD. MAINLINE															
	95+24.80	RT					1								
	95+24.80	LT			1										
	98+38.40	LT								92	92	1	1		11
	98+49.13	RT								92	92	1	1		11
	98+69.50	LT						1							
	98+69.50	LT	TO	98+80.80	RT	60								11	
	98+80.80	RT						1							
	98+83.80	RT				1									
	101+35.40	LT							1						
	101+35.40	LT	TO	101+45.70	RT	60								11	
	101+45.70	RT							1						
	101+51.50	RT				1									
	101+66.88	LT								92	92	1	1		11
	101+77.54	RT								92	92	1	1		11
	104+80.20	LT					1								
	104+80.20	RT				1									
TR 420 MAINLINE															
	288+98.00	CL					1								
	294+27.70	LT				1		1							
	294+27.70	LT	TO	294+78.00	LT			1							
	294+78.00	LT													
	298+13.21	LT								92	92	1	1		11
	298+13.21	RT								92	92	1	1		11
	298+43.70	LT							1						
	298+43.70	LT	TO	298+40.80	RT	59								12	
	298+40.80	RT							1						
	298+45.20	RT				1									
	301+15.10	RT				1									
	301+16.40	LT							1						
	301+16.40	LT	TO	301+16.40	RT	57								12	
	301+16.40	RT							1						
	301+47.40	LT								92	92	1	1		11
	301+47.40	RT								92	92	1	1		11
	304+92.00	LT					1								
	304+93.00	LT	TO	305+30.50	LT										
	305+30.50	LT					1								
	305+30.50	RT				1									
	309+98.00	CL						1							
TOTALS =				236	8	2	6	2	8	736	736	8	8	46	88

USER NAME = sparksgw PLOT SCALE = 2.0000' / in. PLOT DATE = Sep-06-2013 09:11:15AM	DESIGNED - BTM DRAWN - BTM CHECKED - JSA DATE - 12/19/12	REVISED - REVISED - REVISED - REVISED -	STATE OF ILLINOIS DEPARTMENT OF TRANSPORTATION	SCHEDULE OF QUANTITIES SCALE: SHEET NO. OF SHEETS STA. TO STA.	F.A.I. RTE. 1722 SECTION * COUNTY SANGAMON TOTAL SHEETS 194 SHEET NO. 83 * (84-10-1RS-3,84-10-2RS-4)BR,I ILLINOIS FED. AID PROJECT (84-10-1,2)RS-3 & (84-10-2)RS-4	CONTRACT NO. 72C90
--	---	--	---	--	---	---------------------------



BM #1: CHISLED "□" ON NORTH END OF SOUTH MEDIAN NOSE, STA. 304+97.24, 5.3' LT NAVD88, ELEV. 597.60



BM #100: CHISLED "□" IN TOP NW CORNER OF SE APPROACH PARAPET OF BRIDGE SN 084-0150, NAVD88, ELEV. 571.65

BM #101: CHISLED "□" IN TOP SE CORNER OF SE APPROACH PARAPET OF BRIDGE SN 084-0150, NAVD88, ELEV. 571.22

STATE OF ILLINOIS
 DEPARTMENT OF TRANSPORTATION

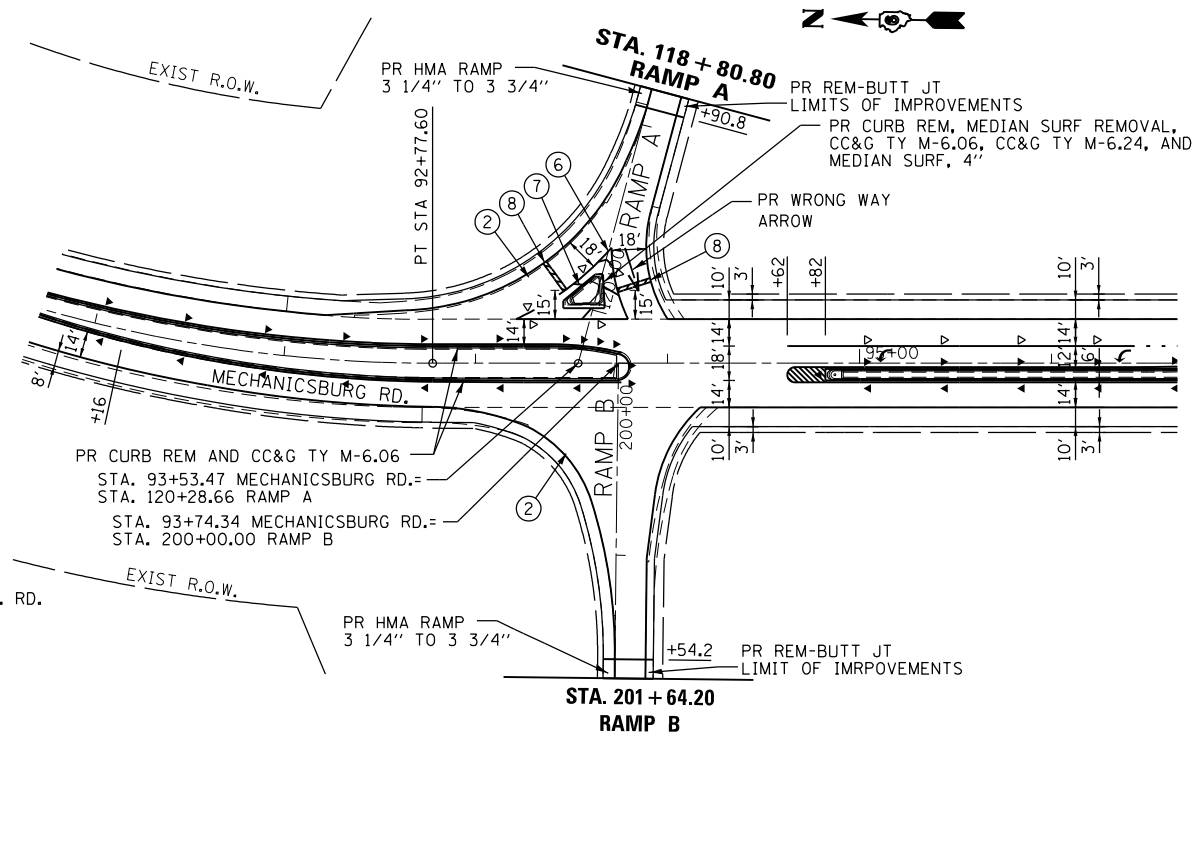
ALIGNMENT, TIES, AND BENCHMARKS

USER NAME = sparksgw	DESIGNED - BTM	REVISED -
PLOT SCALE = 40.0001' / in.	DRAWN - BTM	REVISED -
PLOT DATE = Sep-06-2013 09:11:49AM	CHECKED - JSA	REVISED -
	DATE - 12/19/12	REVISED -

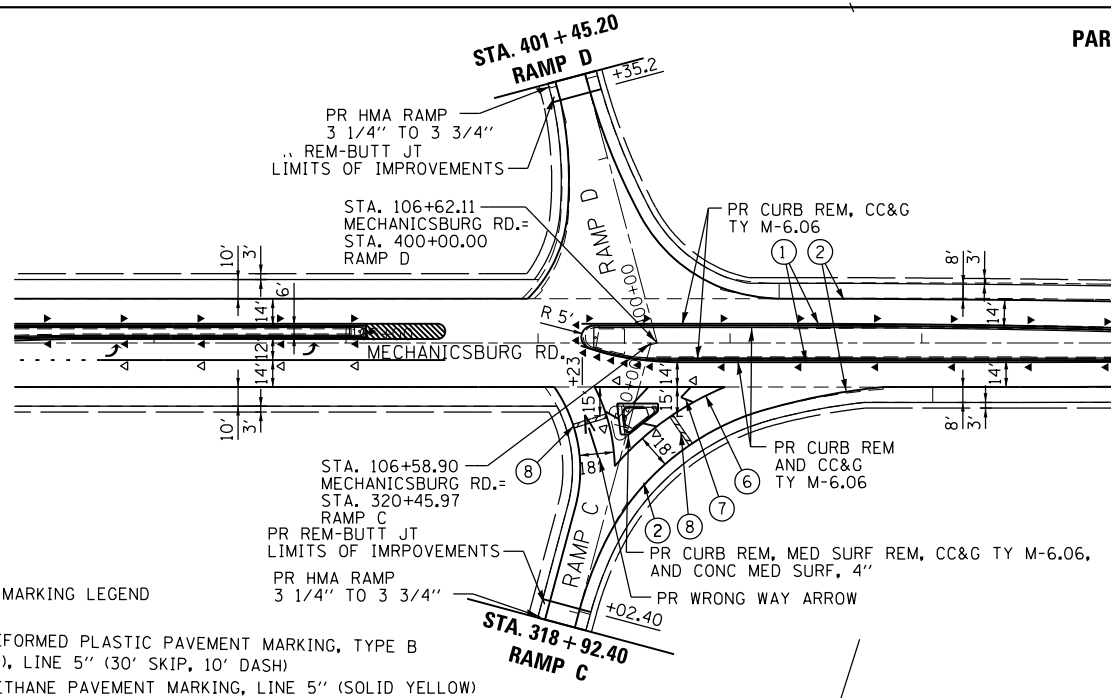
SCALE:	SHEET NO.	OF SHEETS	STA.	TO STA.
--------	-----------	-----------	------	---------

F.A.I. RTE.	SECTION	COUNTY	TOTAL SHEETS	SHEET NO.
1722	*	SANGAMON	194	84
*184-10-1RS-3,84-10-2RS-4IBR,1			CONTRACT NO. 72C90	
ILLINOIS FED. AID PROJECT				

NOT TO SCALE

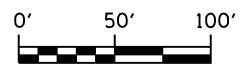
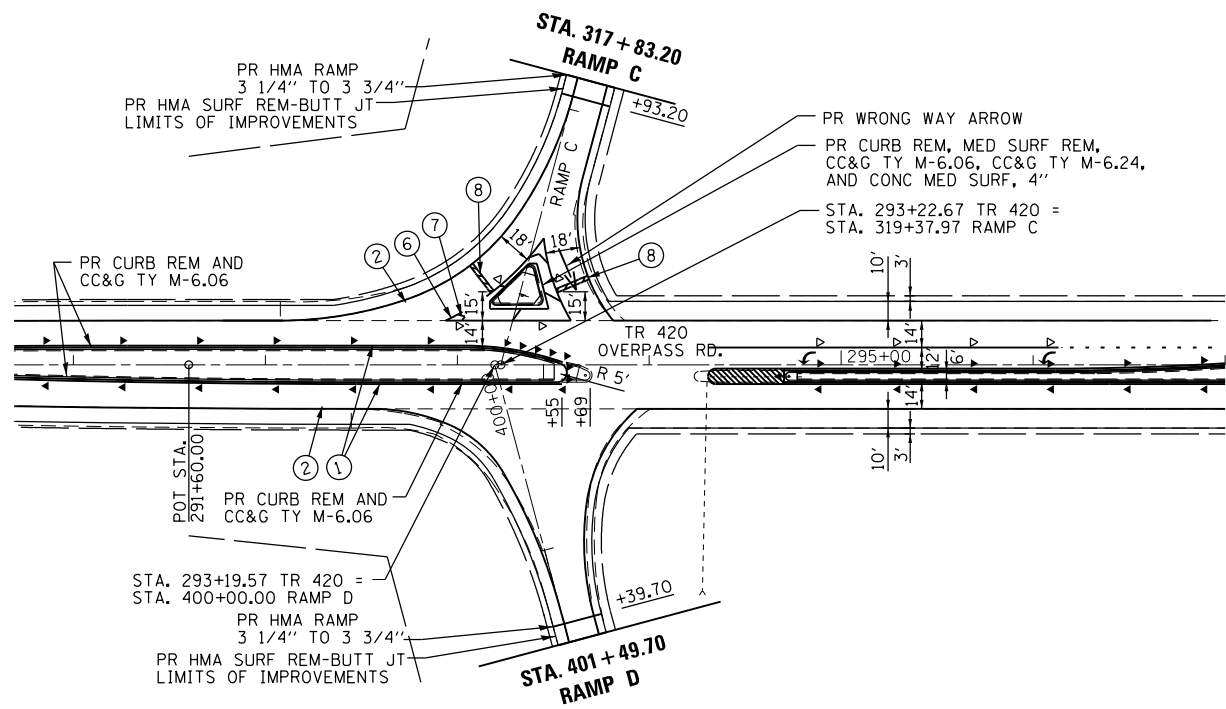
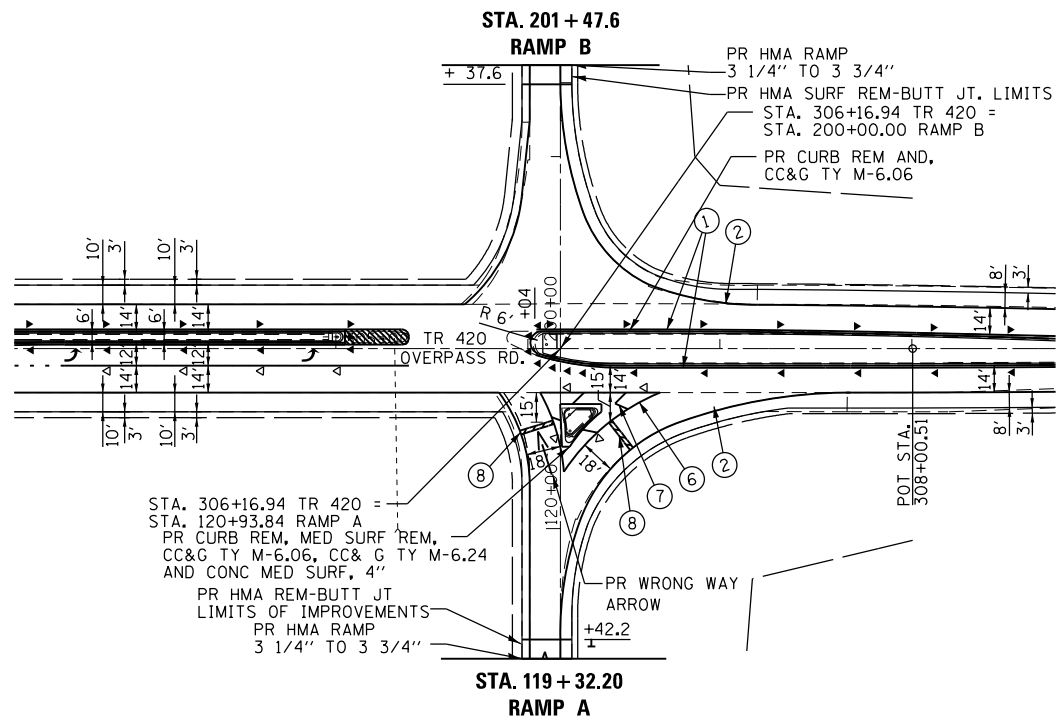


EXIST. CURVE REV. MECH. RD.
 PI STA. = 88+60.93
 $\Delta = 80^\circ 06' 14''$ (LT)
 D = 7° 40' 00"
 R = 747.34'
 T = 628.25'
 L = 1,044.84'
 E = 228.99'
 e = 8.0%
 T.R. = 39.00'
 S.E. RUN = 208.00'
 P.C. STA. = 82+32.68
 P.T. STA. = 92+77.52



PAVEMENT MARKING LEGEND

- ① PR PREFORMED PLASTIC PAVEMENT MARKING, TYPE B (INLAID), LINE 5" (30' SKIP, 10' DASH)
- ② PR URETHANE PAVEMENT MARKING, LINE 5" (SOLID YELLOW)
- ③ PR URETHANE PAVEMENT MARKING, LINE 5" (SOLID WHITE)
- ④ PR URETHANE PAVEMENT MARKING, LINE 6" (SOLID WHITE)
- ⑤ PR URETHANE PAVEMENT MARKING, LINE 6" (6' SKIP, 2' DASH)
- ⑥ PR PREFORMED PLASTIC PAVEMENT MARKING, TYPE B (INLAID), LINE 8" (SOLID WHITE)
- ⑦ PR PREFORMED PLASTIC PAVEMENT MARKING, TYPE B (INLAID), LINE 12" (SOLID WHITE)
- ⑧ PR PREFORMED PLASTIC PAVEMENT MARKING, TYPE B (INLAID), LINE 24" (SOLID WHITE)
- ⑨ PR PREFORMED PLASTIC PAVEMENT MARKING, TYPE B (INLAID), LETTERS & SYMBOLS (SOLID WHITE)
- ▽ PR RAISED REFLECTIVE PAVEMENT MARKER, ONE-WAY, WHITE
- ◀ PR RAISED REFLECTIVE PAVEMENT MARKER, ONE-WAY, AMBER



USER NAME = sparksgw	DESIGNED - BTM	REVISED -
DRAWN - BTM	REVISED -	
PLOT SCALE = 100.0000' / in.	CHECKED - JSA	REVISED -
PLOT DATE = Sep-06-2013 09:12:18AM	DATE - 12/19/12	REVISED -

STATE OF ILLINOIS
 DEPARTMENT OF TRANSPORTATION

PLAN SHEETS				
SCALE:	SHEET NO.	OF SHEETS	STA.	TO STA.

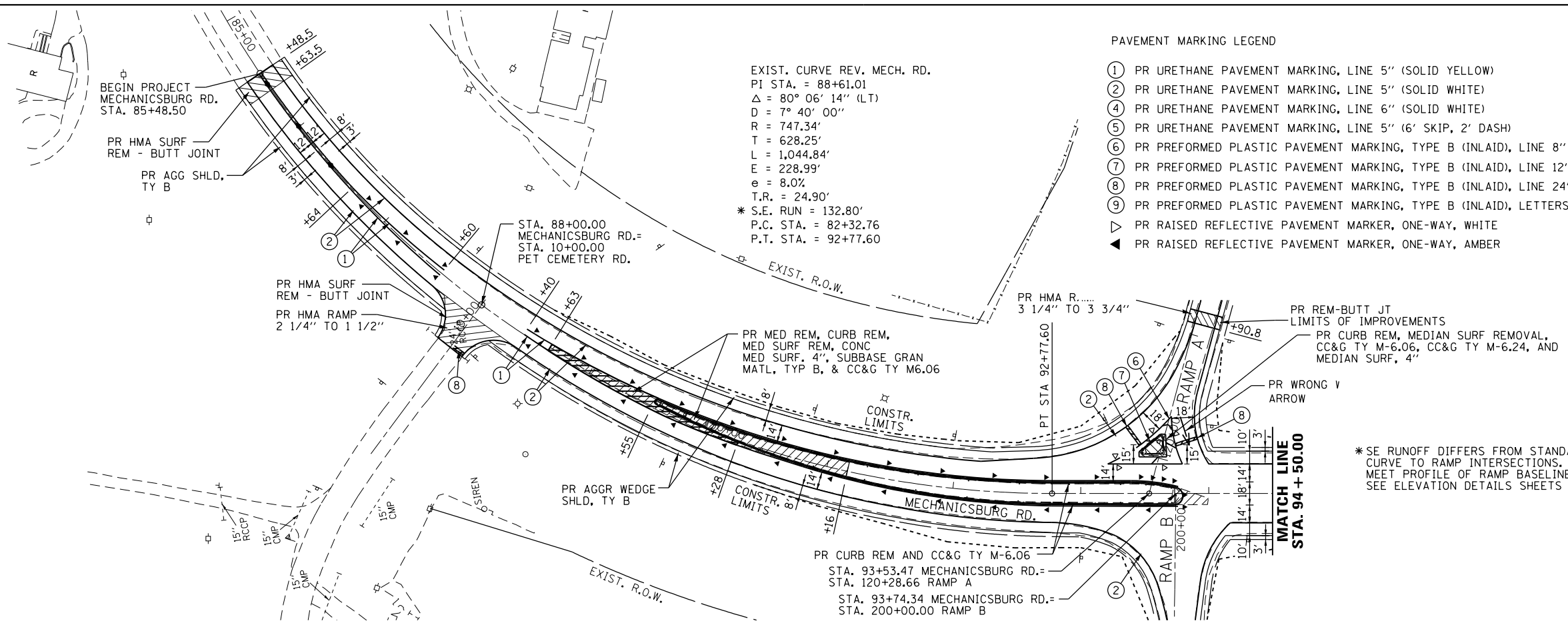
F.A.I. RTE.	SECTION	COUNTY	TOTAL SHEETS	SHEET NO.
1772	*	SANGAMON	194	85
* (84-10-1RS-3,84-10-2RS-4)BR, I			CONTRACT NO. 72C90	
ILLINOIS FED. AID PROJECT				



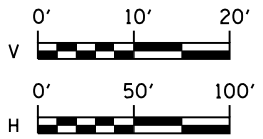
PAVEMENT MARKING LEGEND

- ① PR URETHANE PAVEMENT MARKING, LINE 5" (SOLID YELLOW)
- ② PR URETHANE PAVEMENT MARKING, LINE 5" (SOLID WHITE)
- ④ PR URETHANE PAVEMENT MARKING, LINE 6" (SOLID WHITE)
- ⑤ PR URETHANE PAVEMENT MARKING, LINE 5" (6' SKIP, 2' DASH)
- ⑥ PR PREFORMED PLASTIC PAVEMENT MARKING, TYPE B (INLAID), LINE 8" (SOLID WHITE)
- ⑦ PR PREFORMED PLASTIC PAVEMENT MARKING, TYPE B (INLAID), LINE 12" (SOLID WHITE)
- ⑧ PR PREFORMED PLASTIC PAVEMENT MARKING, TYPE B (INLAID), LINE 24" (SOLID WHITE)
- ⑨ PR PREFORMED PLASTIC PAVEMENT MARKING, TYPE B (INLAID), LETTERS & SYMBOLS (SOLID WHITE)
- ▽ PR RAISED REFLECTIVE PAVEMENT MARKER, ONE-WAY, WHITE
- ◀ PR RAISED REFLECTIVE PAVEMENT MARKER, ONE-WAY, AMBER

EXIST. CURVE REV. MECH. RD.
 PI STA. = 88+61.01
 $\Delta = 80^{\circ} 06' 14''$ (LT)
 $D = 7^{\circ} 40' 00''$
 $R = 747.34'$
 $T = 628.25'$
 $L = 1,044.84'$
 $E = 228.99'$
 $e = 8.0\%$
 $T.R. = 24.90'$
 * S.E. RUN = 132.80'
 P.C. STA. = 82+32.76
 P.T. STA. = 92+77.60

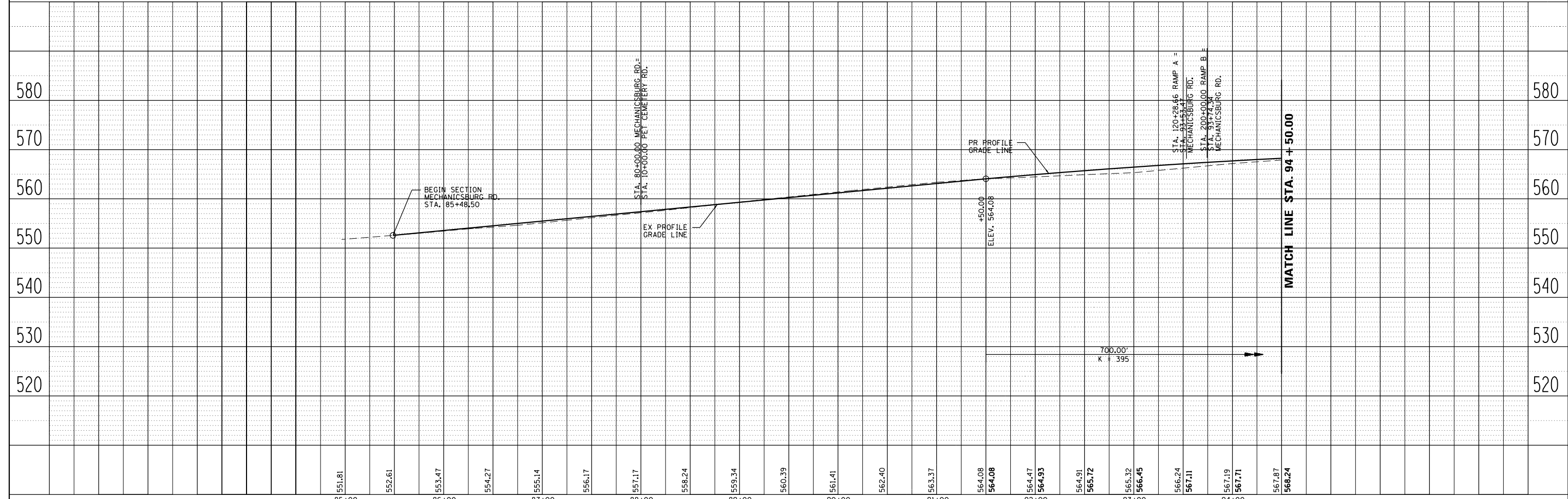


* SE RUNOFF DIFFERS FROM STANDARD DUE TO PROXIMITY OF CURVE TO RAMP INTERSECTIONS. CROSS SLOPE OF CH 12 TO MEET PROFILE OF RAMP BASELINE AT STA. 92+77.60 CH 12. SEE ELEVATION DETAILS SHEETS FOR TRANSITION ELEVATIONS.



PLAN	SURVEYED	DATE
	PLOTTED	
	ALIGNED	
	CHECKED	
	FILED	
	NO.	

PROFILE	SURVEYED	DATE
	PLOTTED	
	GRADES	
	CHECKED	
	STRUCTURE	
	NOTATIONS	
	NO.	



85+00	86+00	87+00	88+00	89+00	90+00	91+00	92+00	93+00	94+00
551.81	552.61	553.47	554.27	555.14	556.17	557.17	558.24	559.34	560.39
561.41	562.40	563.37	564.08	564.08	564.47	564.93	564.91	565.72	565.32
566.45	566.24	567.11	567.19	567.71	567.87	568.24			

USER NAME = sparksgw	DESIGNED - BTM	REVISED -
	DRAWN - BTM	REVISED -
PLOT SCALE = 100.0002' / in.	CHECKED - JSA	REVISED -
PLOT DATE = Sep-06-2013 09:12:56AM	DATE - 9/20/12	REVISED -

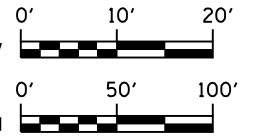
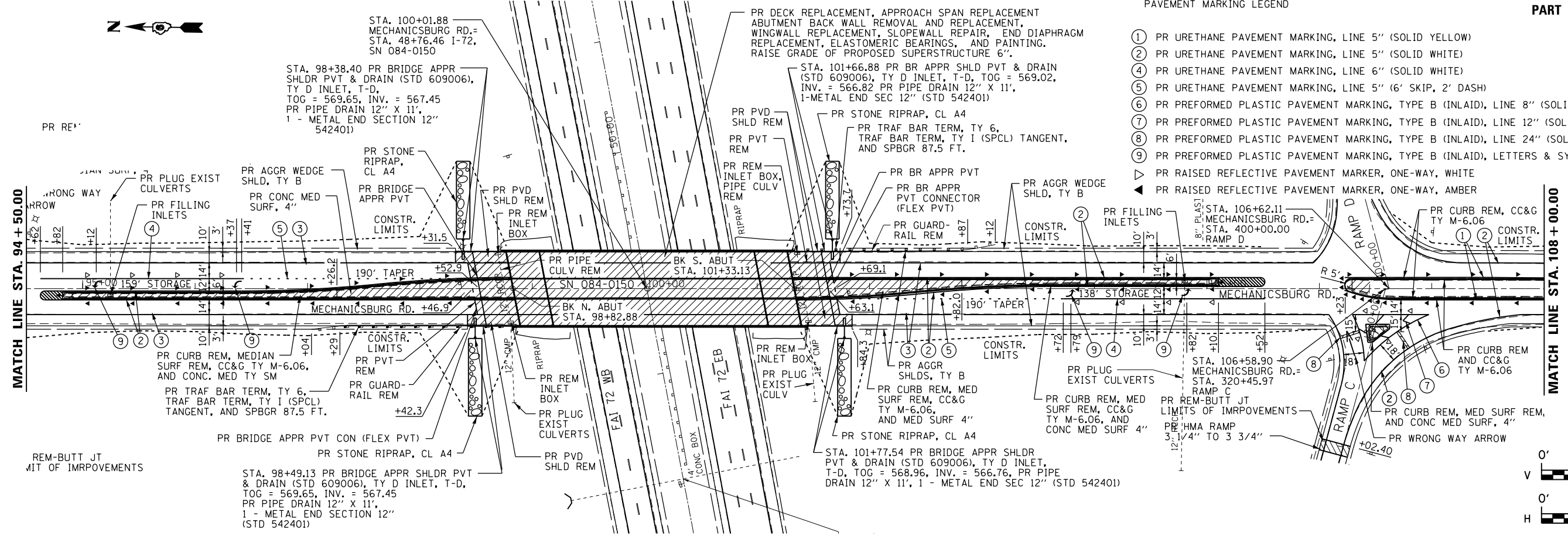
STATE OF ILLINOIS
DEPARTMENT OF TRANSPORTATION

PLAN & PROFILE SHEETS CH 12 (MECHANICSBURG RD.)			
SCALE:	SHEET NO.	OF SHEETS	STA. 85+48.50 TO STA. 94+50.00

F.A.I. RTE.	SECTION	COUNTY	TOTAL SHEETS	SHEET NO.
I-72		SANGAMON	194	86
• (84-10-1RS-3,84-10-2RS-4)BR,1			CONTRACT NO. 72C90	
ILLINOIS FED. AID PROJECT				

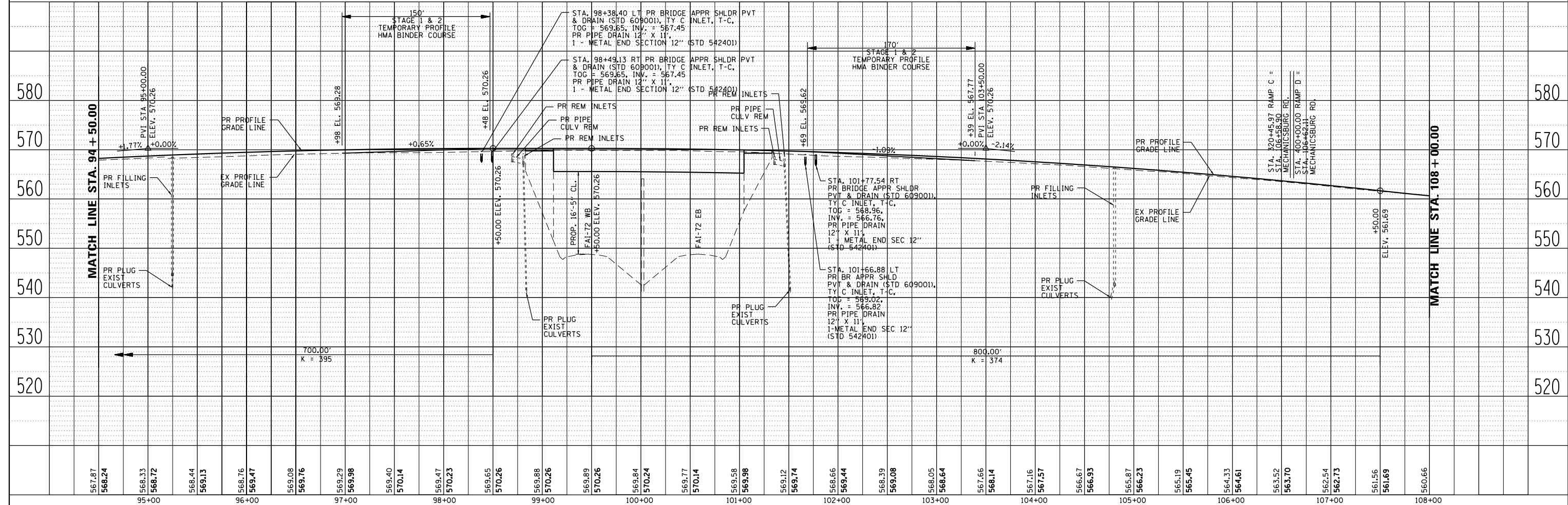
PAVEMENT MARKING LEGEND

- ① PR URETHANE PAVEMENT MARKING, LINE 5" (SOLID YELLOW)
- ② PR URETHANE PAVEMENT MARKING, LINE 5" (SOLID WHITE)
- ④ PR URETHANE PAVEMENT MARKING, LINE 6" (SOLID WHITE)
- ⑤ PR URETHANE PAVEMENT MARKING, LINE 5" (6' SKIP, 2' DASH)
- ⑥ PR PREFORMED PLASTIC PAVEMENT MARKING, TYPE B (INLAID), LINE 8" (SOLID WHITE)
- ⑦ PR PREFORMED PLASTIC PAVEMENT MARKING, TYPE B (INLAID), LINE 12" (SOLID WHITE)
- ⑧ PR PREFORMED PLASTIC PAVEMENT MARKING, TYPE B (INLAID), LINE 24" (SOLID WHITE)
- ⑨ PR PREFORMED PLASTIC PAVEMENT MARKING, TYPE B (INLAID), LETTERS & SYMBOLS (SOLID WHITE)
- ▽ PR RAISED REFLECTIVE PAVEMENT MARKER, ONE-WAY, WHITE
- ▲ PR RAISED REFLECTIVE PAVEMENT MARKER, ONE-WAY, AMBER



DATE	
BY	
PLAN	
NO.	
NO.	
NO.	
NO.	
NO.	
NO.	
NO.	
NO.	

DATE	
BY	
PROFILE	
NO.	
NO.	
NO.	
NO.	
NO.	
NO.	
NO.	
NO.	



567.87	568.24	568.33	568.72	568.44	569.13	568.76	569.47	569.08	569.76	569.29	569.98	569.40	570.14	569.47	570.23	569.65	570.26	569.88	570.26	569.89	570.26	569.84	570.24	569.77	570.14	569.58	569.98	569.12	569.74	568.66	569.44	568.39	569.08	568.05	568.64	567.66	568.14	567.16	567.57	566.67	566.93	565.87	566.23	565.19	565.45	564.33	564.61	563.52	563.70	562.54	562.73	561.56	561.69	560.66
95+00	96+00	97+00	98+00	99+00	100+00	101+00	102+00	103+00	104+00	105+00	106+00	107+00	108+00																																									

STATE OF ILLINOIS
DEPARTMENT OF TRANSPORTATION

PLAN & PROFILE SHEETS
CH 12 (MECHANICSBURG RD.)

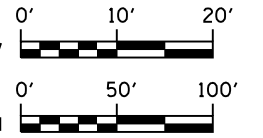
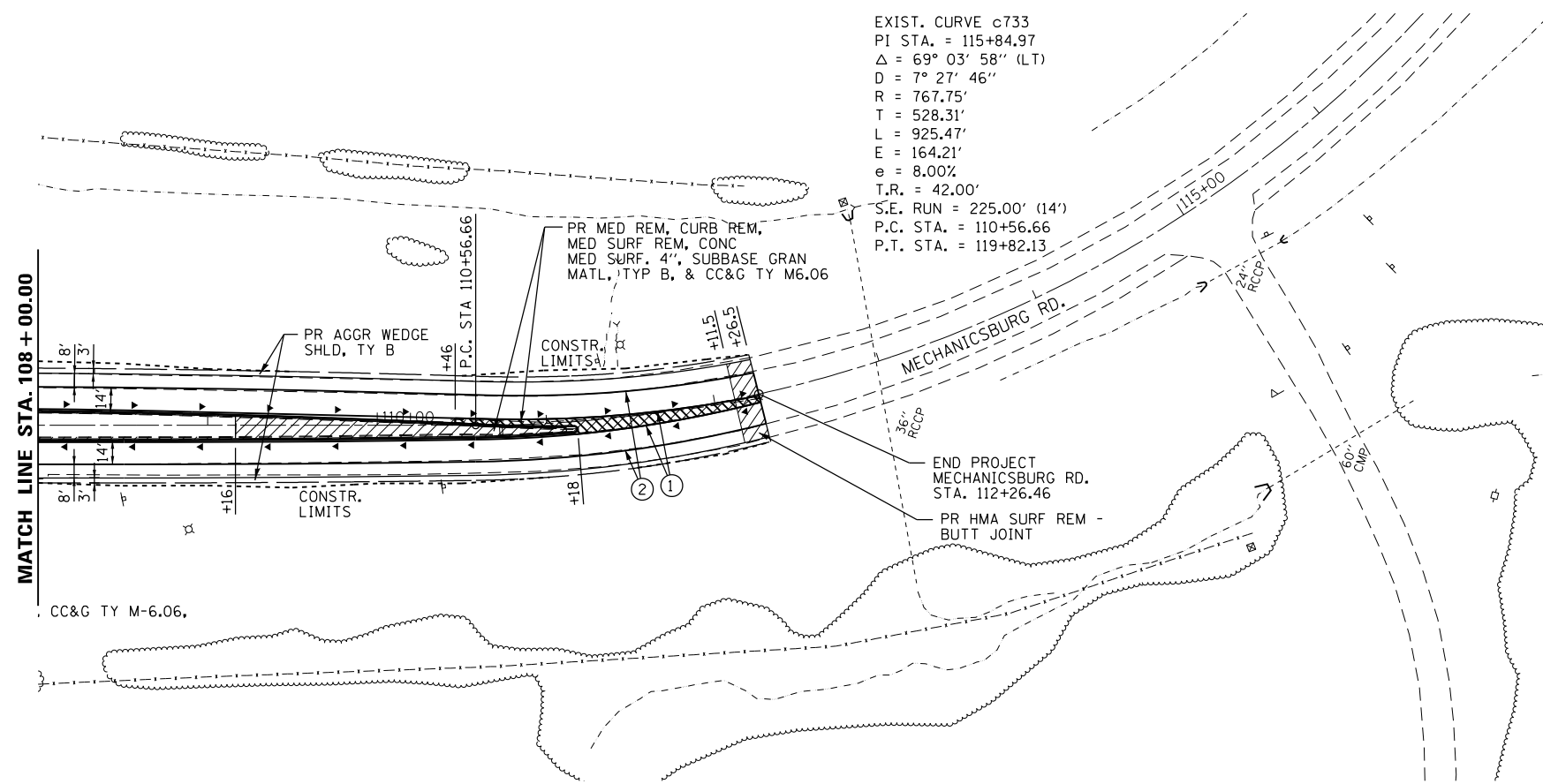
F.A.I. RTE.	SECTION	COUNTY	TOTAL SHEETS	SHEET NO.
I-72		SANGAMON	194	87
• (84-10-1RS-3,84-10-2RS-4)BR,1			CONTRACT NO. 72C90	
ILLINOIS FED. AID PROJECT				



PAVEMENT MARKING LEGEND

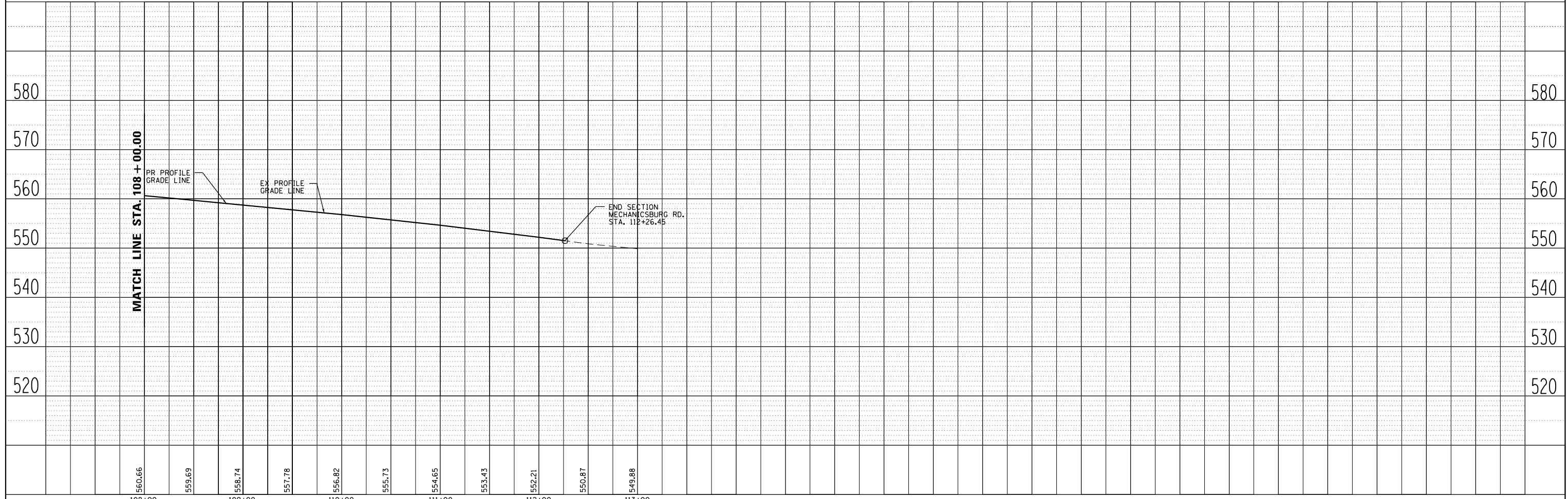
- ① PR URETHANE PAVEMENT MARKING, LINE 5" (SOLID YELLOW)
- ② PR URETHANE PAVEMENT MARKING, LINE 5" (SOLID WHITE)
- ④ PR URETHANE PAVEMENT MARKING, LINE 6" (SOLID WHITE)
- ⑤ PR URETHANE PAVEMENT MARKING, LINE 5" (6' SKIP, 2' DASH)
- ⑥ PR PREFORMED PLASTIC PAVEMENT MARKING, TYPE B (INLAID), LINE 8" (SOLID WHITE)
- ⑦ PR PREFORMED PLASTIC PAVEMENT MARKING, TYPE B (INLAID), LINE 12" (SOLID WHITE)
- ⑧ PR PREFORMED PLASTIC PAVEMENT MARKING, TYPE B (INLAID), LINE 24" (SOLID WHITE)
- ⑨ PR PREFORMED PLASTIC PAVEMENT MARKING, TYPE B (INLAID), LETTERS & SYMBOLS (SOLID WHITE)
- ▽ PR RAISED REFLECTIVE PAVEMENT MARKER, ONE-WAY, WHITE
- ◀ PR RAISED REFLECTIVE PAVEMENT MARKER, ONE-WAY, AMBER

EXIST. CURVE c733
 PI STA. = 115+84.97
 $\Delta = 69^\circ 03' 58''$ (LT)
 $D = 7^\circ 27' 46''$
 $R = 767.75'$
 $T = 528.31'$
 $L = 925.47'$
 $E = 164.21'$
 $e = 8.00\%$
 $T.R. = 42.00'$
 $S.E. RUN = 225.00' (14')$
 $P.C. STA. = 110+56.66$
 $P.T. STA. = 119+82.13$



PLAN	SURVEYED	BY	DATE
	PLOTTED		
	ALIGNED		
	CHECKED		
	FILED		
	NO.		

PROFILE	SURVEYED	BY	DATE
	PLOTTED		
	GRADES CHECKED		
	STRUCTURE NOTATIONS CHECKED		
	NO.		



108+00	109+00	110+00	111+00	112+00	113+00
560.66	559.69	558.74	557.78	556.82	555.73
554.65	553.43	552.21	550.87	549.88	

STATE OF ILLINOIS
 DEPARTMENT OF TRANSPORTATION

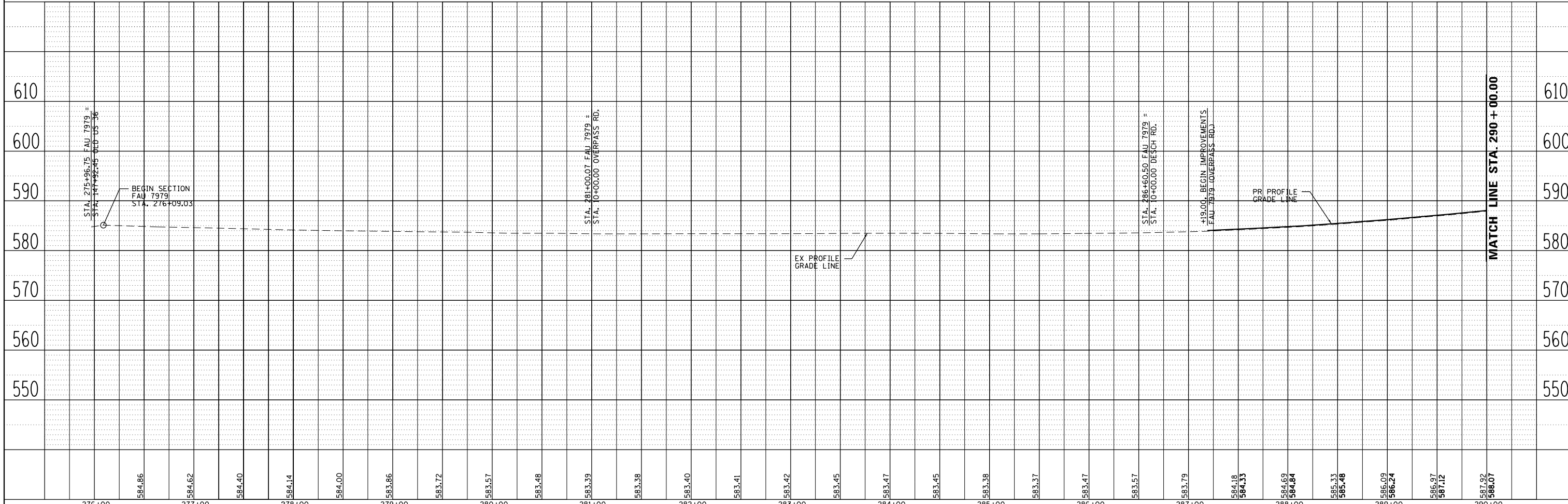
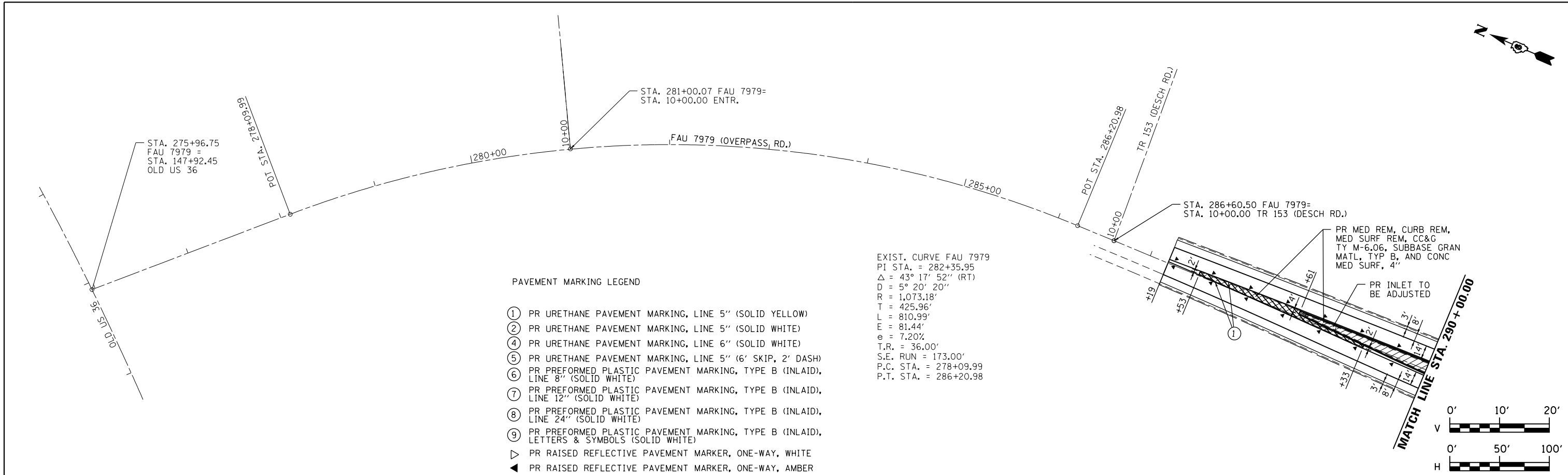
PLAN & PROFILE SHEETS
 CH 12 (MECHANICSBURG RD.)

F.A.I. RTE.	SECTION	COUNTY	TOTAL SHEETS	SHEET NO.
I-72		SANGAMON	194	88
• (84-10-1RS-3,84-10-2RS-4)BR,1		CONTRACT NO. 72C90		
ILLINOIS FED. AID PROJECT				

SCALE: SHEET NO. OF SHEETS STA. 108+00.00 TO STA. 112+26.46

PLAN	SURVEYED	DATE
	PLOTTED	BY
	GRADES CHECKED	
	STRUCTURE NOTATIONS OK'D	
	NOTE BOOK NO.	
	FILE NAME	

PROFILE	SURVEYED	DATE
	PLOTTED	BY
	GRADES CHECKED	
	STRUCTURE NOTATIONS OK'D	
	NOTE BOOK NO.	
	FILE NAME	

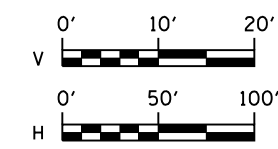
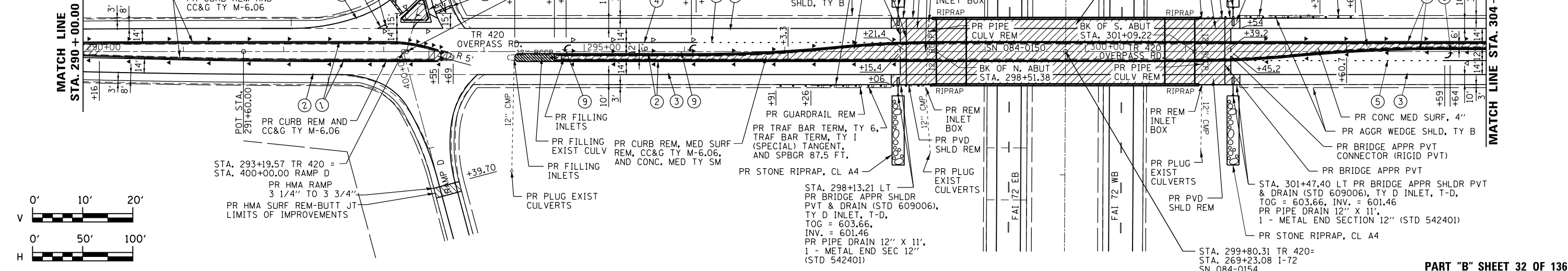


276+00	277+00	278+00	279+00	280+00	281+00	282+00	283+00	284+00	285+00	286+00	287+00	288+00	289+00	290+00
584.66	584.62	584.40	584.14	584.00	583.86	583.72	583.57	583.48	583.39	583.36	583.40	583.41	583.42	583.45
583.47	583.45	583.47	583.45	583.38	583.37	583.47	584.18	584.33	584.69	584.84	585.33	585.48	586.09	586.24
586.97	587.12	587.92	588.07											

PAVEMENT MARKING LEGEND

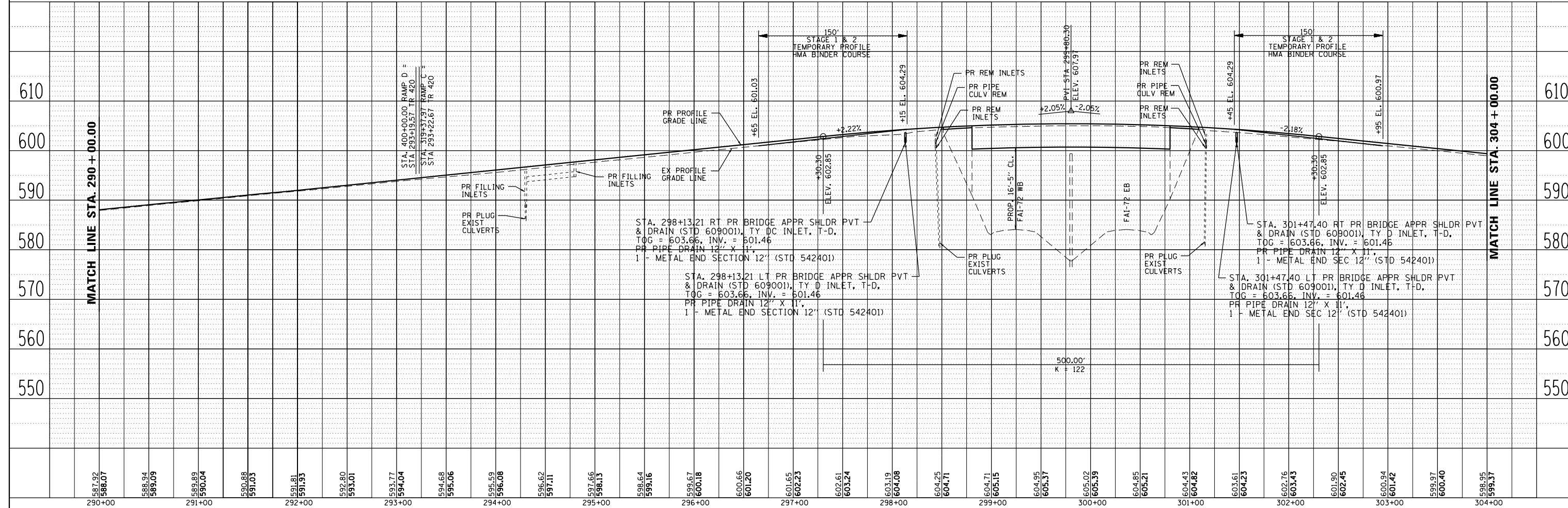
- ① PR URETHANE PAVEMENT MARKING, LINE 5" (SOLID YELLOW)
- ② PR URETHANE PAVEMENT MARKING, LINE 5" (SOLID WHITE)
- ④ PR URETHANE PAVEMENT MARKING, LINE 6" (SOLID WHITE)
- ⑤ PR URETHANE PAVEMENT MARKING, LINE 5" (6' SKIP, 2' DASH)
- ⑥ PR PREFORMED PLASTIC PAVEMENT MARKING, TYPE B (INLAID), LINE 8" (SOLID WHITE)
- ⑦ PR PREFORMED PLASTIC PAVEMENT MARKING, TYPE B (INLAID), LINE 12" (SOLID WHITE)
- ⑧ PR PREFORMED PLASTIC PAVEMENT MARKING, TYPE B (INLAID), LINE 24" (SOLID WHITE)
- ⑨ PR PREFORMED PLASTIC PAVEMENT MARKING, TYPE B (INLAID), LETTERS & SYMBOLS (SOLID WHITE)
- ▷ PR RAISED REFLECTIVE PAVEMENT MARKER, ONE-WAY, WHITE
- ◄ PR RAISED REFLECTIVE PAVEMENT MARKER, ONE-WAY, AMBER

DATE	
BY	
PLAN	SURVEYED
	PLOTTED
	ALIGNED
	CHECKED
	FILED
NOTE BOOK NO.	
ADD FILE NAME	



PART "B" SHEET 32 OF 136

DATE	
BY	
PROFILE	SURVEYED
	PLOTTED
	GRADES CHECKED
	STRUCTURE NOTATIONS CHECKED
NOTE BOOK NO.	
ADD FILE NAME	



587.92	588.07	588.94	589.09	589.88	590.04	590.88	591.03	591.81	591.93	592.80	593.01	593.77	594.04	594.68	595.06	595.59	596.08	596.62	597.11	597.66	598.13	598.64	599.16	599.67	600.18	600.66	601.20	601.65	602.23	602.61	603.24	603.19	604.08	604.25	604.71	605.15	604.95	605.37	605.02	605.39	604.85	605.21	604.43	604.86	603.61	604.23	602.76	603.43	601.90	602.45	600.94	601.42	599.97	600.40	598.95	599.37
290+00	291+00	292+00	293+00	294+00	295+00	296+00	297+00	298+00	299+00	300+00	301+00	302+00	303+00	304+00																																										

USER NAME = sparksgw	DESIGNED - BTM	REVISED -
	DRAWN - BTM	REVISED -
PLOT SCALE = 100.0002' / in.	CHECKED - JSA	REVISED -
PLOT DATE = Sep-06-2013 09:14:25AM	DATE - 9/20/12	REVISED -

STATE OF ILLINOIS
DEPARTMENT OF TRANSPORTATION

PLAN & PROFILE SHEETS			
TR 420 (OVERPASS RD.)			
SCALE:	SHEET NO.	OF SHEETS	STA. TO STA.

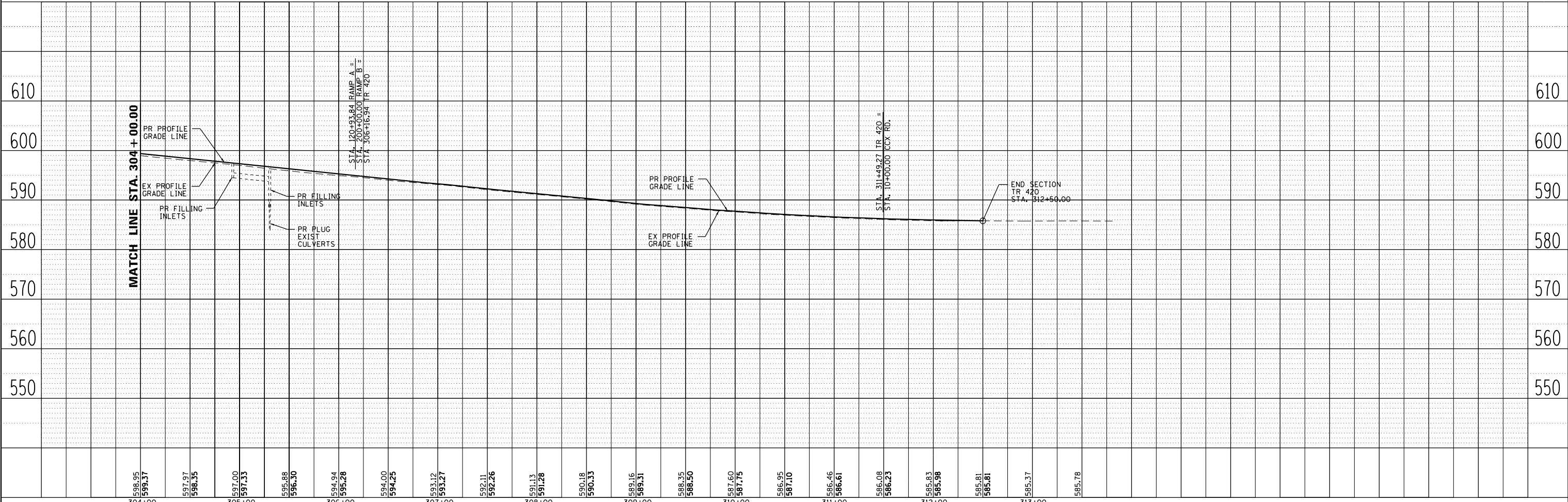
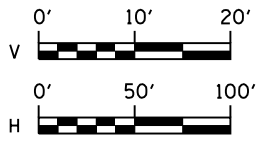
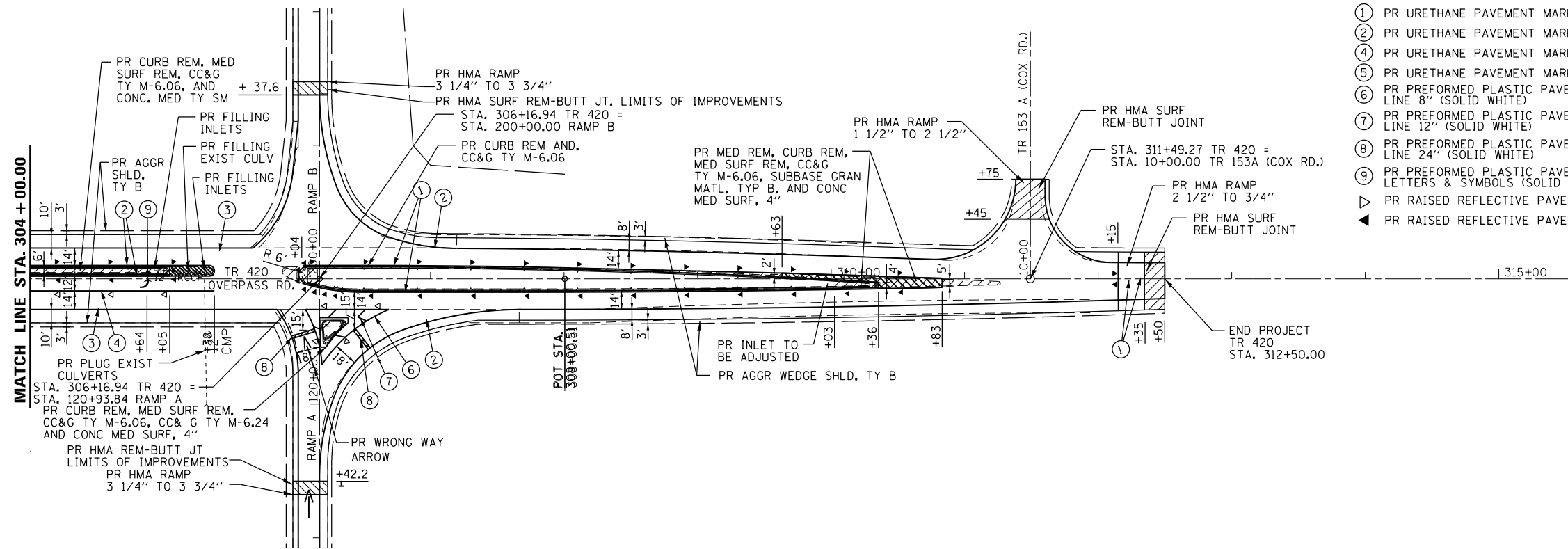
F.A.I. RTE.	SECTION	COUNTY	TOTAL SHEETS	SHEET NO.
I-72		SANGAMON	194	90
		(84-10-1RS-3,84-10-2RS-4)BR,1	CONTRACT NO. 72C90	
ILLINOIS FED. AID PROJECT				

FILE NAME = c:\pwork\pwork\sparksgw\d0359822\0672C90.sht.prof tr420 02.dgn

PAVEMENT MARKING LEGEND



- ① PR URETHANE PAVEMENT MARKING, LINE 5" (SOLID YELLOW)
- ② PR URETHANE PAVEMENT MARKING, LINE 5" (SOLID WHITE)
- ④ PR URETHANE PAVEMENT MARKING, LINE 6" (SOLID WHITE)
- ⑤ PR URETHANE PAVEMENT MARKING, LINE 5" (6' SKIP, 2' DASH)
- ⑥ PR PREFORMED PLASTIC PAVEMENT MARKING, TYPE B (INLAID), LINE 8" (SOLID WHITE)
- ⑦ PR PREFORMED PLASTIC PAVEMENT MARKING, TYPE B (INLAID), LINE 12" (SOLID WHITE)
- ⑧ PR PREFORMED PLASTIC PAVEMENT MARKING, TYPE B (INLAID), LINE 24" (SOLID WHITE)
- ⑨ PR PREFORMED PLASTIC PAVEMENT MARKING, TYPE B (INLAID), LETTERS & SYMBOLS (SOLID WHITE)
- ▷ PR RAISED REFLECTIVE PAVEMENT MARKER, ONE-WAY, WHITE
- ◀ PR RAISED REFLECTIVE PAVEMENT MARKER, ONE-WAY, AMBER



PLAN	SURVEYED	DATE
	PLOTTED	
	ALIGNED	
	CHECKED	
	FILED	
	NO.	

PROFILE	SURVEYED	DATE
	GRADES CHECKED	
	STRUCTURE NOTATIONS CHECKED	
	NO.	

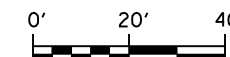
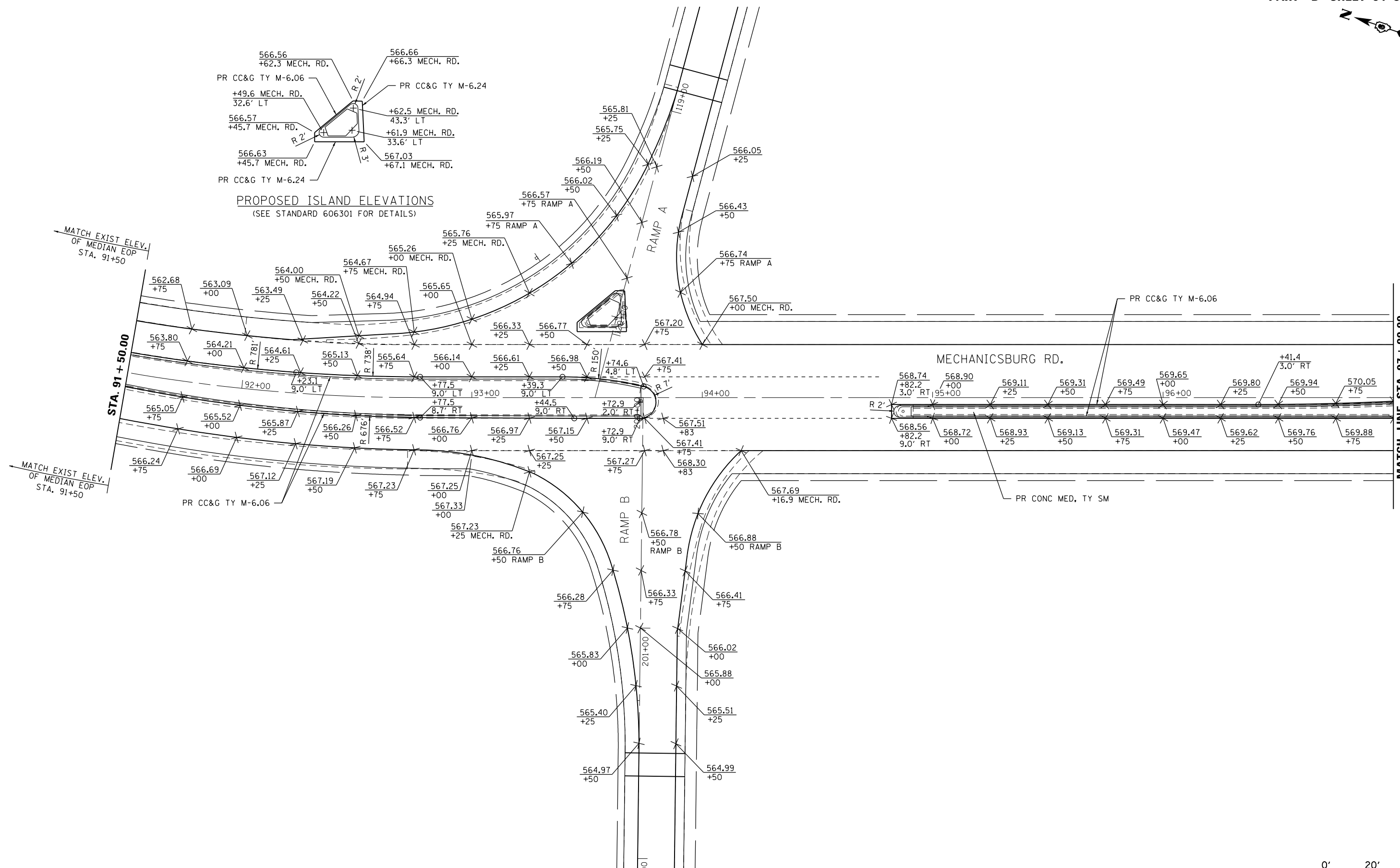
USER NAME = sparksgw	DESIGNED - BTM	REVISED -
	DRAWN - BTM	REVISED -
PLOT SCALE = 100.0002' / in.	CHECKED - JSA	REVISED -
PLOT DATE = Sep-06-2013 09:14:49AM	DATE - 9/20/12	REVISED -

STATE OF ILLINOIS
DEPARTMENT OF TRANSPORTATION

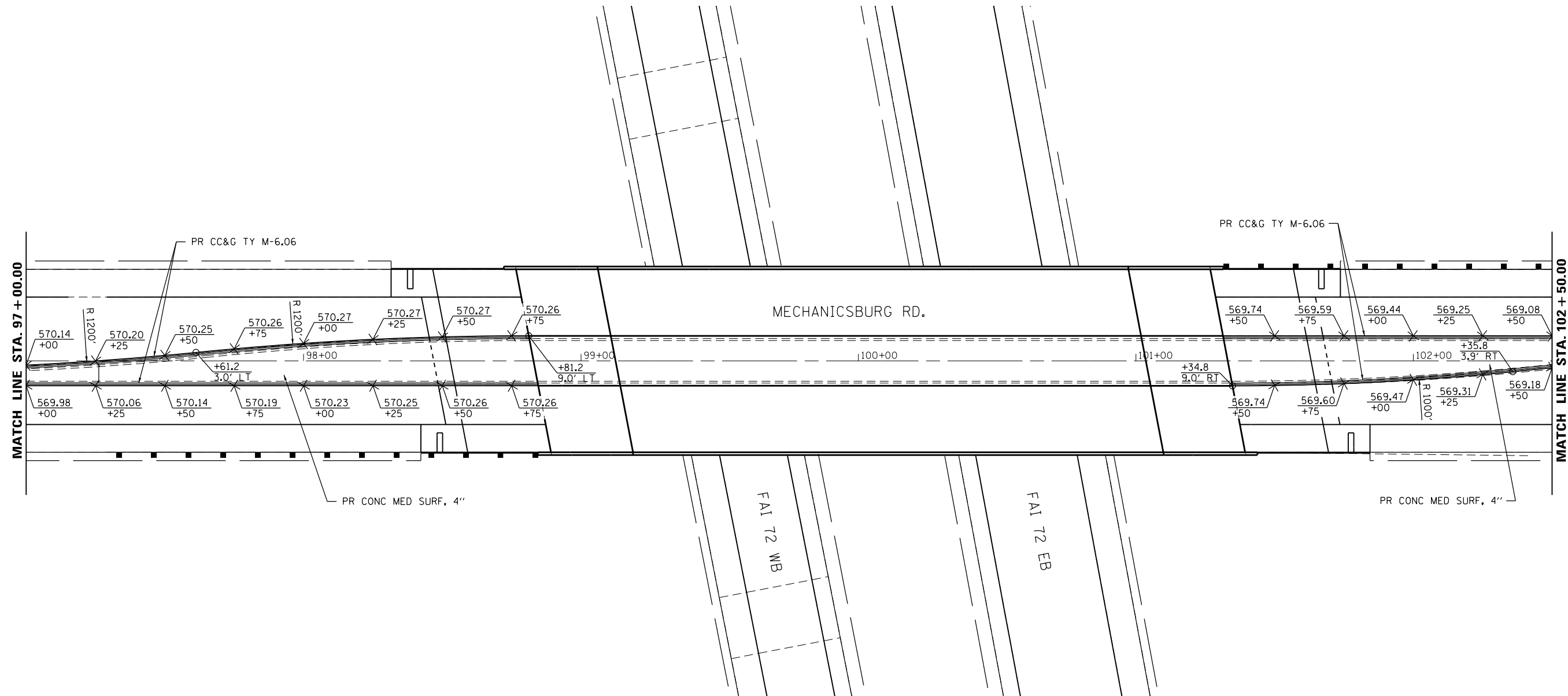
PLAN & PROFILE SHEETS
TR 420 (OVERPASS RD.)

SCALE: SHEET NO. OF SHEETS STA. TO STA.

F.A.I. RTE.	SECTION	COUNTY	TOTAL SHEETS	SHEET NO.
I-72		SANGAMON	194	91
• (84-10-1RS-3,84-10-2RS-4)BR,1			CONTRACT NO. 72C90	
ILLINOIS FED. AID PROJECT				

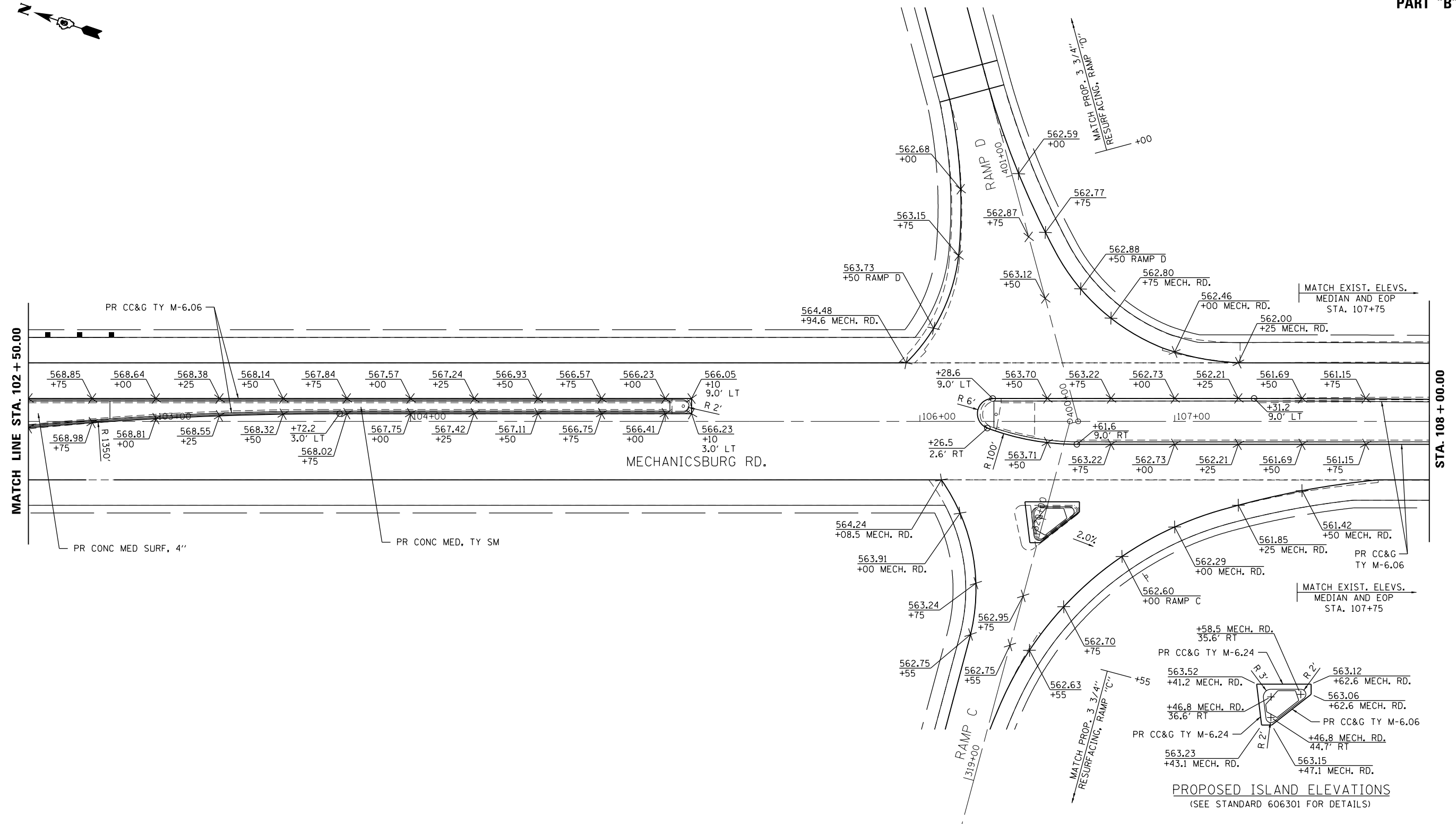


USER NAME = sparksgw PLOT SCALE = 40.0001' / in. PLOT DATE = Sep-06-2013 09:15:11AM	DESIGNED - BTM	REVISED -	STATE OF ILLINOIS DEPARTMENT OF TRANSPORTATION	PROPOSED MEDIAN & ISLAND DETAILS MECHANICSBURG RD.		F.A.I. RTE. 1722	SECTION *	COUNTY SANGAMON	TOTAL SHEETS 194	SHEET NO. 92	
	DRAWN - BTM	REVISED -		SCALE:	SHEET NO.	OF SHEETS	STA.	TO STA.	* (84-10-1RS-3,84-10-2RS-4)BR,I ILLINOIS FED. AID PROJECT		
	CHECKED - JSA	REVISED -		DATE - 12/19/12	REVISED -	CONTRACT NO. 72C90			(84-10-1,2)RS-3 & (84-10-2)RS-4		



USER NAME = sparksgw PLOT SCALE = 40.0001' / in. PLOT DATE = Sep-06-2013 09:15:35AM	DESIGNED - BTM	REVISED -	STATE OF ILLINOIS DEPARTMENT OF TRANSPORTATION	PROPOSED MEDIAN & ISLAND DETAILS MECHANICSBURG RD.			F.A.I. RTE.	SECTION	COUNTY	TOTAL SHEETS	SHEET NO.
	DRAWN - BTM	REVISED -					1722	*	SANGAMON	194	93
	CHECKED - JSA	REVISED -					* (84-10-1RS-3,84-10-2RS-4)BR,I ILLINOIS FED. AID PROJECT				
DATE - 12/19/12	REVISED -	SCALE:	SHEET NO.	OF SHEETS	STA.	TO STA.	CONTRACT NO. 72C90 (84-10-1,2)RS-3 & (84-10-2)RS-4				

FILE NAME = c:\pw\work\pwt\dot\sparksgw\0359822\0672C90_sht.elev det 03.dgn

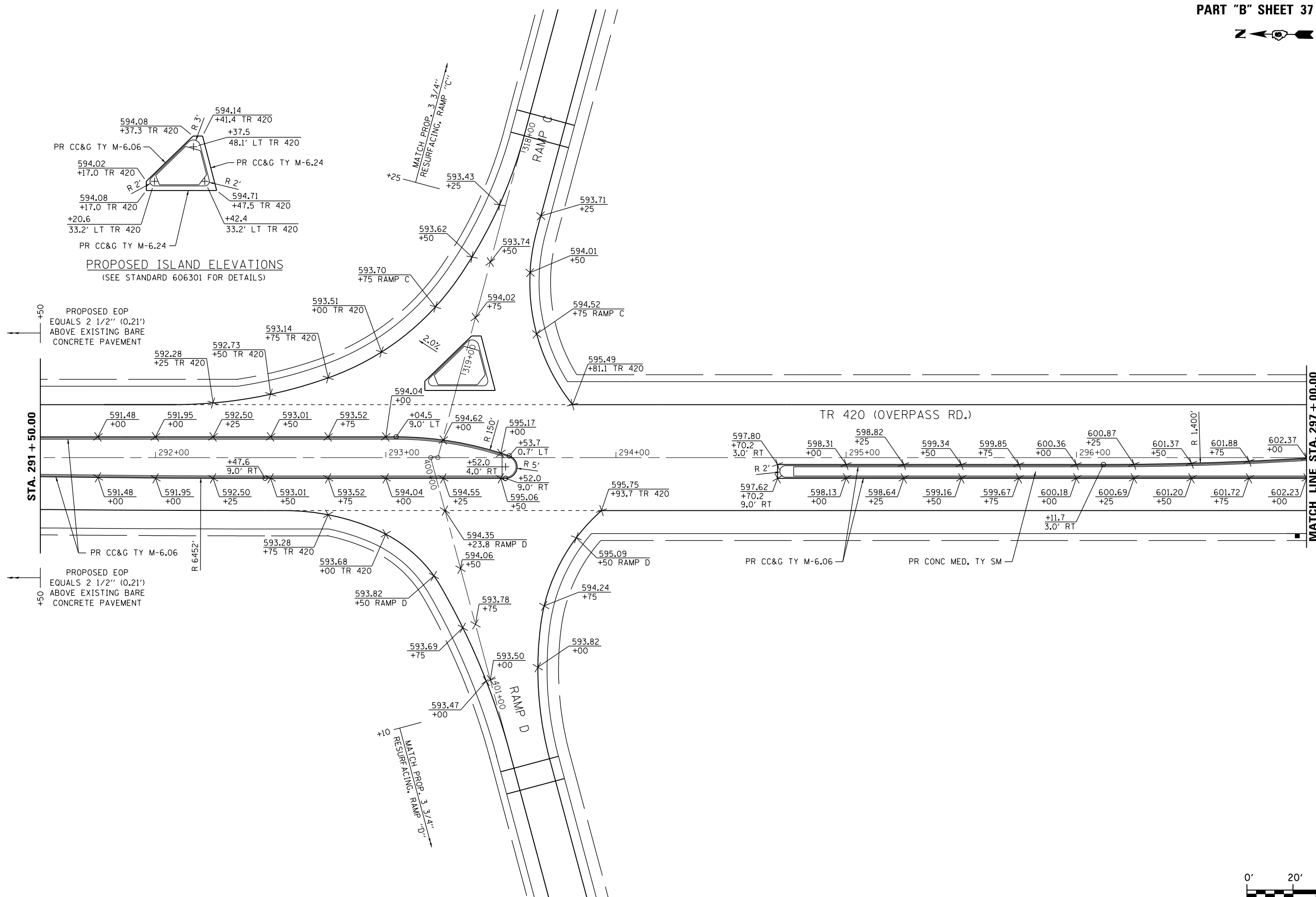
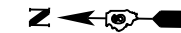


PROPOSED ISLAND ELEVATIONS
(SEE STANDARD 606301 FOR DETAILS)



USER NAME = sparksgw PLOT SCALE = 40.0001' / in. PLOT DATE = Sep-06-2013 09:15:57AM	DESIGNED - BTM	REVISED -	STATE OF ILLINOIS DEPARTMENT OF TRANSPORTATION	PROPOSED MEDIAN & ISLAND DETAILS MECHANICSBURG RD.			F.A.I. RTE. 1722	SECTION *	COUNTY SANGAMON	TOTAL SHEETS 194	SHEET NO. 94
	DRAWN - BTM	REVISED -					* (84-10-1RS-3,84-10-2RS-4)BR,I				
	CHECKED - JSA	REVISED -					CONTRACT NO. 72C90				
DATE - 12/19/12	REVISED -	SCALE: SHEET NO. OF SHEETS STA. TO STA.			ILLINOIS FED. AID PROJECT (84-10-1)RS-3 & (84-10-2)RS-4						

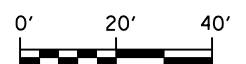
FILE NAME = c:\pwork\pwork\sparksgw\0359822\0672C90_sht.elev det 04.dgn



PROPOSED EOP
EQUALS 2 1/2'' (0.21')
ABOVE EXISTING BARE
CONCRETE PAVEMENT

PROPOSED EOP
EQUALS 2 1/2'' (0.21')
ABOVE EXISTING BARE
CONCRETE PAVEMENT

MATCH LINE STA. 297 + 00.00



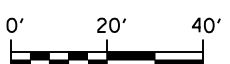
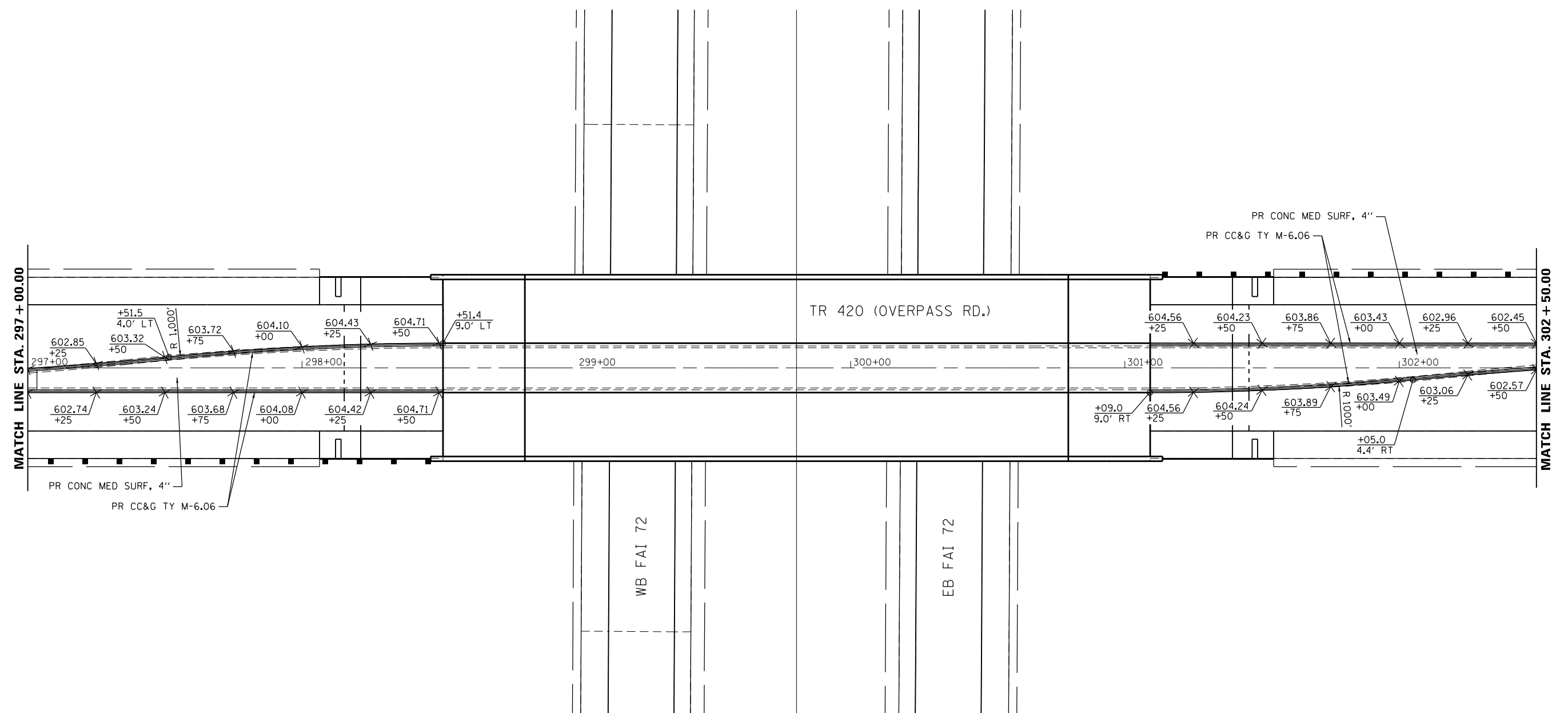
USER NAME = sparksgw	DESIGNED - BTM	REVISED -
PLOT SCALE = 40.0001' / in.	DRAWN - BTM	REVISED -
PLOT DATE = Sep-06-2013 09:16:20AM	CHECKED - JSA	REVISED -
	DATE - 12/19/12	REVISED -

**STATE OF ILLINOIS
DEPARTMENT OF TRANSPORTATION**

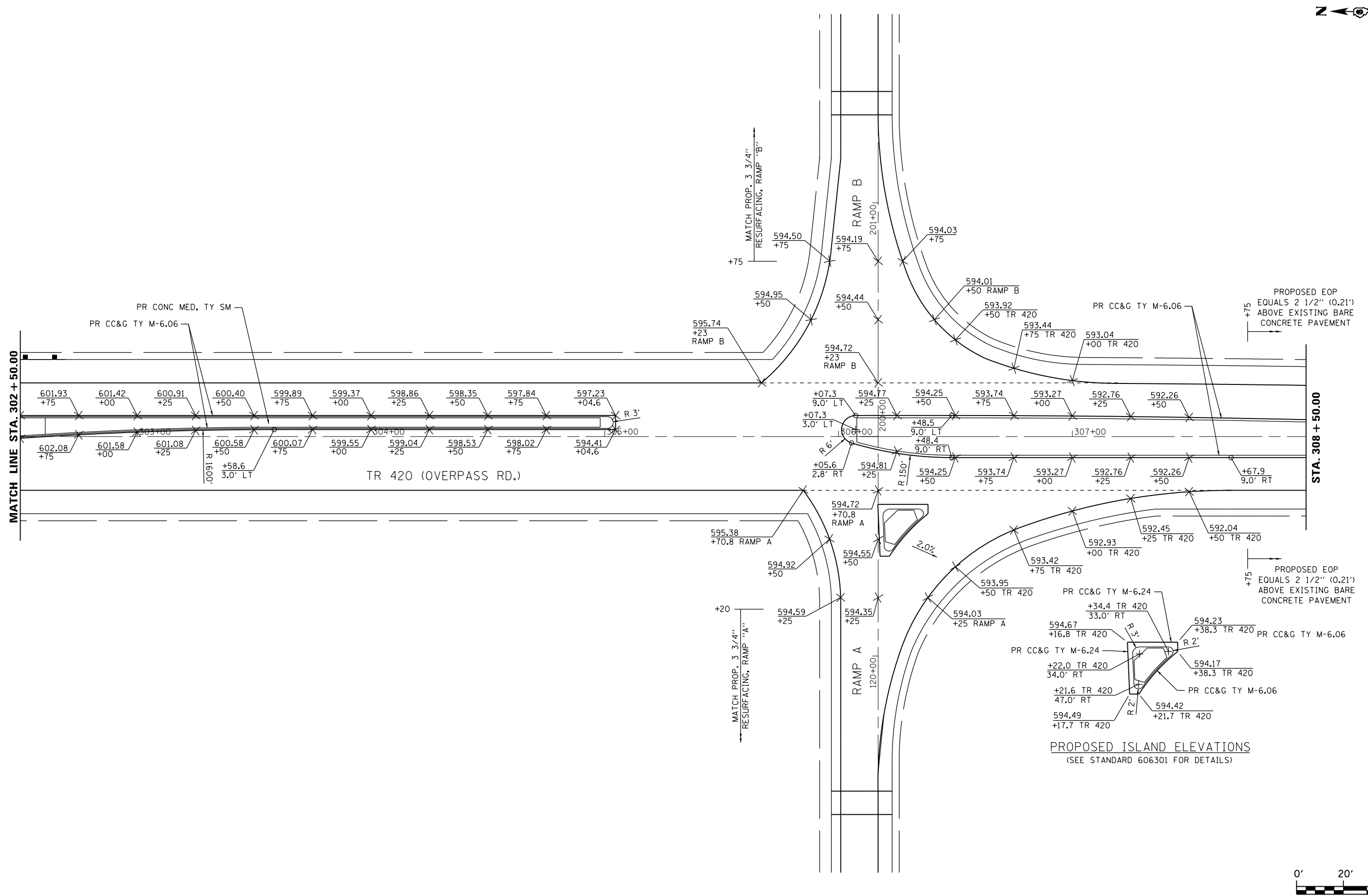
**PROPOSED ELEVATION DETAIL
TR 420 (OVERPASS RD.)**

SCALE: SHEET NO. OF SHEETS STA. TO STA.

F.A.I. RTE.	SECTION	COUNTY	TOTAL SHEETS	SHEET NO.
1722	*	SANGAMON	194	95
* (84-10-1RS-3,84-10-2RS-4)BR,I			CONTRACT NO. 72C90	
ILLINOIS FED. AID PROJECT				



USER NAME = sparksgw PLOT SCALE = 40.0001' / in. PLOT DATE = Sep-06-2013 09:16:41AM	DESIGNED - BTM	REVISED -	STATE OF ILLINOIS DEPARTMENT OF TRANSPORTATION	PROPOSED ELEVATION DETAIL TR 420 (OVERPASS RD.)			F.A.I. RTE.	SECTION	COUNTY	TOTAL SHEETS	SHEET NO.
	DRAWN - BTM	REVISED -					1722	*	SANGAMON	194	96
	CHECKED - JSA	REVISED -		SCALE: SHEET NO. OF SHEETS STA. TO STA.			* (84-10-1RS-3,84-10-2RS-4)BR,I			CONTRACT NO. 72C90	
DATE - 12/19/12	REVISED -				ILLINOIS FED. AID PROJECT			(84-10-1,2)RS-3 & (84-10-2)RS-4			



PROPOSED ISLAND ELEVATIONS
(SEE STANDARD 606301 FOR DETAILS)

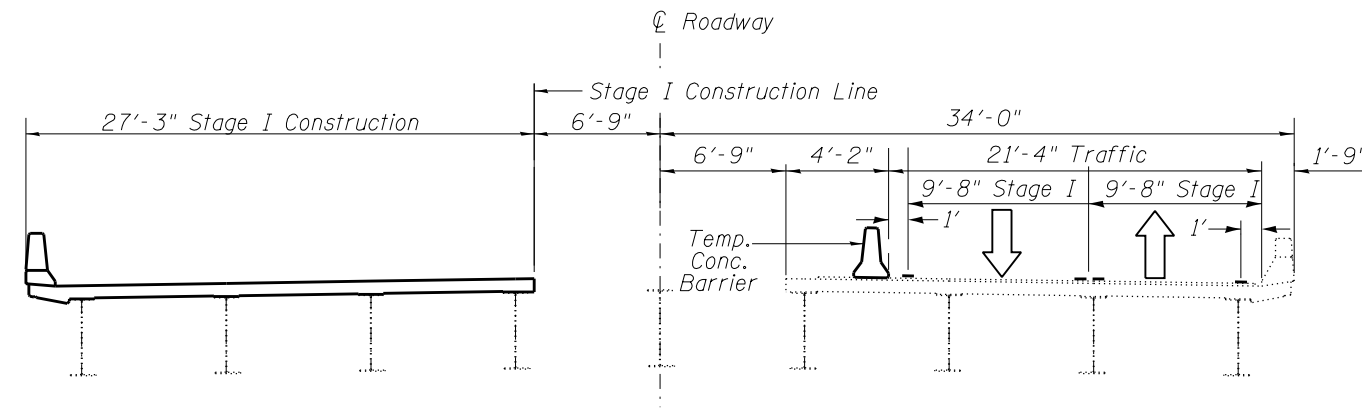


USER NAME = sparksgw	DESIGNED - BTM	REVISED -
	DRAWN - BTM	REVISED -
PLOT SCALE = 40.0001" / in.	CHECKED - JSA	REVISED -
PLOT DATE = Sep-06-2013 09:17:30AM	DATE - 12/19/12	REVISED -

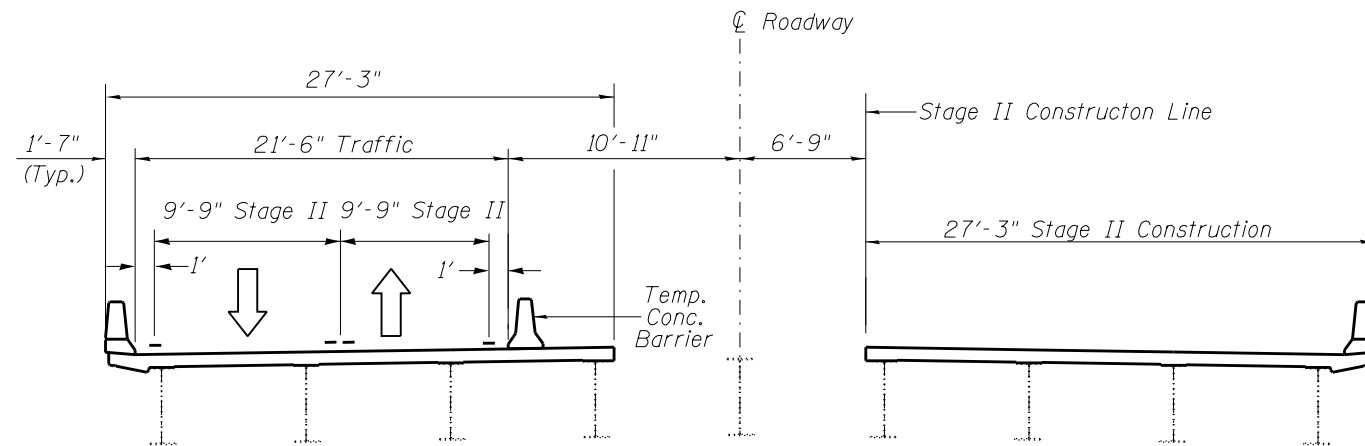
STATE OF ILLINOIS
DEPARTMENT OF TRANSPORTATION

PROPOSED ELEVATION DETAIL TR 420 (OVERPASS RD.)			
SCALE:	SHEET NO.	OF SHEETS	STA. TO STA.

F.A.I. RTE.	SECTION	COUNTY	TOTAL SHEETS	SHEET NO.
1722	*	SANGAMON	194	97
*184-10-1RS-3,84-10-2RS-4IBR,I			CONTRACT NO. 72C90	
ILLINOIS FED. AID PROJECT				



Stage I Cross Section
(Looking South)



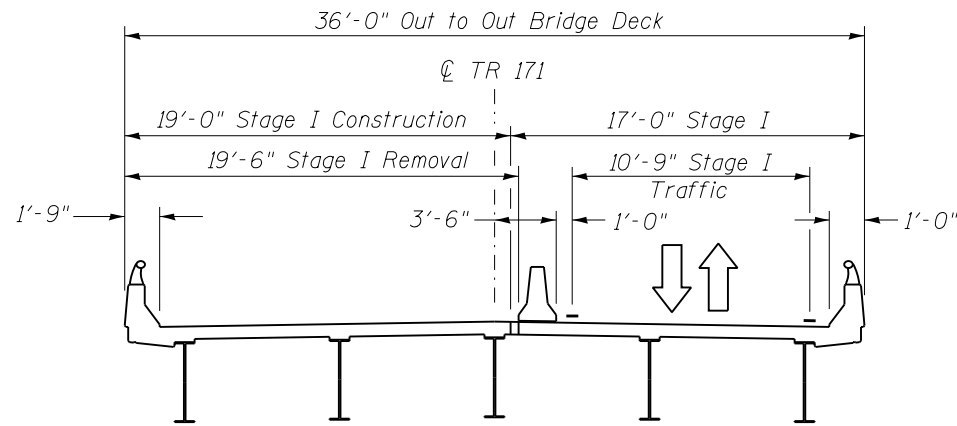
Stage II Cross Section
(Looking South)

USER NAME = sparksgw	DESIGNED - BTM	REVISED -	STATE OF ILLINOIS DEPARTMENT OF TRANSPORTATION	MAINTENANCE OF TRAFFIC – STAGING DETAILS MECHANISBURG RD.			F.A.I. RTE.	SECTION	COUNTY	TOTAL SHEETS	SHEET NO.
PLOT SCALE = 12.0000' / in.	DRAWN - BTM	REVISED -					1722	*	SANGAMON	194	98
PLOT DATE = Sep-06-2013 09:18:43AM	CHECKED - JSA	REVISED -		SCALE: SHEET NO. OF SHEETS STA. TO STA.			* (84-10-1RS-3,84-10-2RS-4)BR,I				
	DATE - 12/19/12	REVISED -					ILLINOIS FED. AID PROJECT				

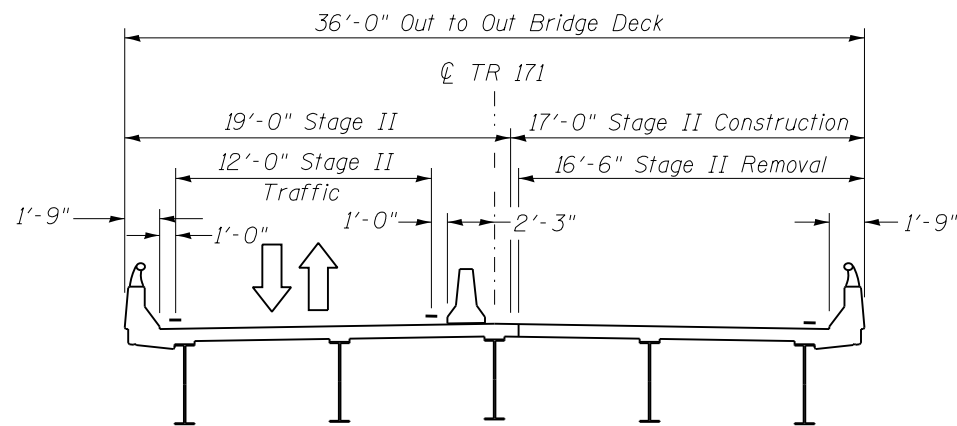
CONTRACT NO. 72C90

(84-10-1,2)RS-3 & (84-10-2)RS-4

FILE NAME = c:\pw\work\pwt\dot\sparksgw\d0359822\0672C90_sht.mot 01.dgn

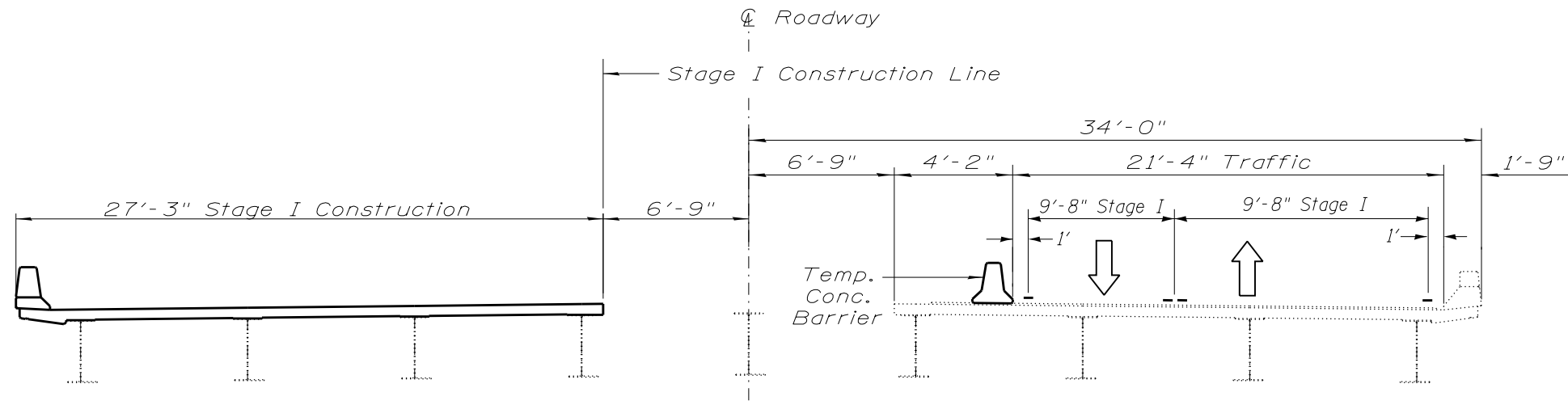


Stage I Cross Section
(Looking East)

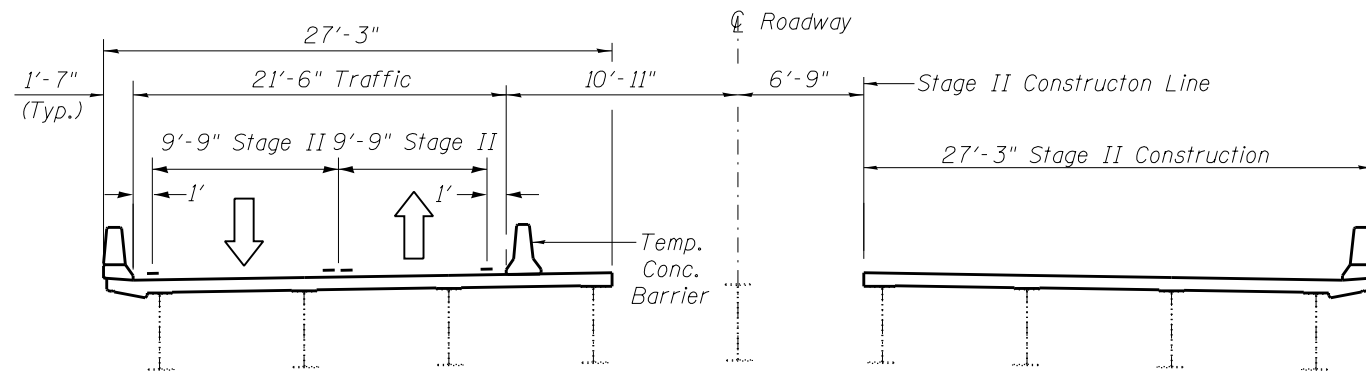


Stage II Cross Section
(Looking North)

USER NAME = sparksgw PLOT SCALE = 12.0000' / in. PLOT DATE = Sep-06-2013 09:19:09AM	DESIGNED - BTM	REVISIED -	STATE OF ILLINOIS DEPARTMENT OF TRANSPORTATION	MAINTENANCE OF TRAFFIC - STAGING DETAILS TR 171 (OAK CREST RD.)				F.A.I. RTE.	SECTION	COUNTY	TOTAL SHEETS	SHEET NO.
	DRAWN - BTM	REVISIED -		1722	*	SANGAMON	194	99				
	CHECKED - JSA	REVISIED -		SCALE: SHEET NO. OF SHEETS STA. TO STA.				* (84-10-1RS-3,84-10-2RS-4)BR,I ILLINOIS FED. AID PROJECT				
DATE - 12/19/12	REVISIED -					CONTRACT NO. 72C90 (84-10-1,2)RS-3 & (84-10-2)RS-4						



Stage I Cross Section
(Looking North)



Stage II Cross Section
(Looking North)

USER NAME = sparksgw	DESIGNED - BTM	REVISED -	STATE OF ILLINOIS DEPARTMENT OF TRANSPORTATION	MAINTENANCE OF TRAFFIC - STAGING DETAILS TR 420 (OVERPASS RD.)				F.A.I. RTE.	SECTION	COUNTY	TOTAL SHEETS	SHEET NO.
PLOT SCALE = 12.0000' / in.	DRAWN - BTM	REVISED -		1722	*	SANGAMON	194	100				
PLOT DATE = Sep-06-2013 09:19:32AM	CHECKED - JSA	REVISED -		* (84-10-1RS-3,84-10-2RS-4)BR,I				CONTRACT NO. 72C90				
	DATE - 12/19/12	REVISED -		SCALE:	SHEET NO.	OF SHEETS	STA.	TO STA.	ILLINOIS FED. AID PROJECT (84-10-1,2)RS-3 & (84-10-2)RS-4			