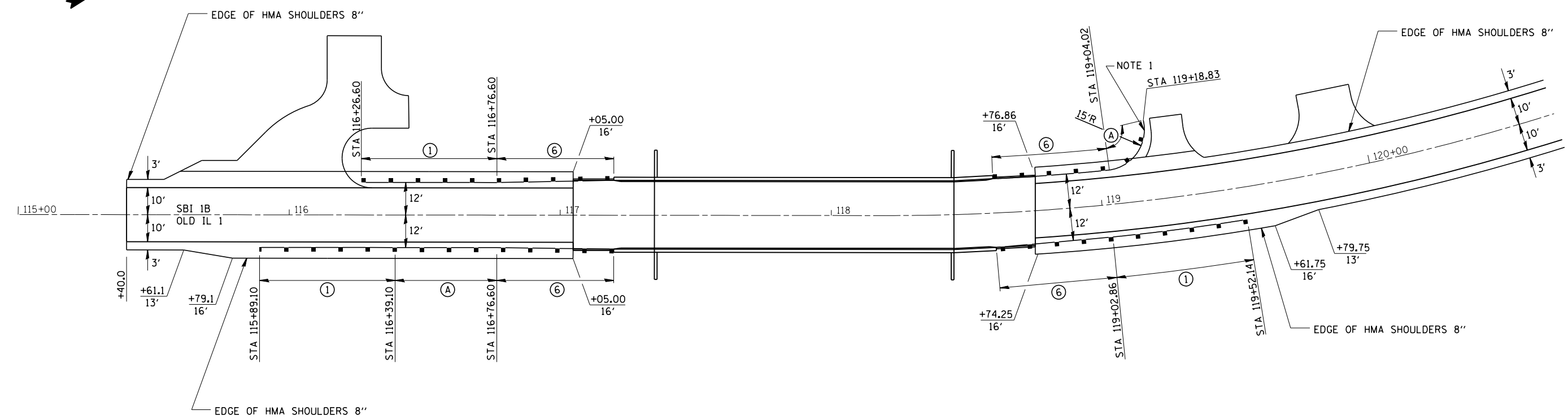


NOTE 1:
 FABRICATE RAIL ELEMENT WITH 15 FOOT RADIUS.
 PROVIDE A STANDARD 630001 END SECTION.
 FURNISHING CURVED RAIL ELEMENTS AND THE
 STANDARD END SECTION SHALL BE INCLUDED IN
 THE COSTS FOR STEEL PLATE BEAM GUARDRAIL
 TYPE A, 6 FOOT POSTS



LEGEND	
①	TRAFFIC BARRIER TERMINAL TYPE 1 SPECIAL (TANGENT)
②	TRAFFIC BARRIER TERMINAL TYPE 2
⑥	TRAFFIC BARRIER TERMINAL TYPE 6
Ⓐ	STEEL PLATE BEAM GUARDRAIL TYPE A 6' POSTS

CEC Cummins
 Engineering Corporation
 Civil and Structural Engineering

JOB = 2223.5
 FILE NAME = *FILES*
 PLOT SCALE = *SCALE*
 PLOT DATE = *DATE*

DESIGNED - NAK
 DRAWN - TJD
 CHECKED - NAK
 DATE - 4/8/2011

REVISED -
 REVISED -
 REVISED -
 REVISED -

STATE OF ILLINOIS
 DEPARTMENT OF TRANSPORTATION

GUARDRAIL AND SHOULDER LAYOUT

SCALE: SHEET NO. OF SHEETS STA. 115+00 TO STA. 121+00

SBI RTE.	SECTION	COUNTY	TOTAL SHEETS	SHEET NO.
1B	(12A)B-1	WABASH	52	18
FED. ROAD DIST. NO. ILLINOIS FED. AID PROJECT			CONTRACT NO. 74217	