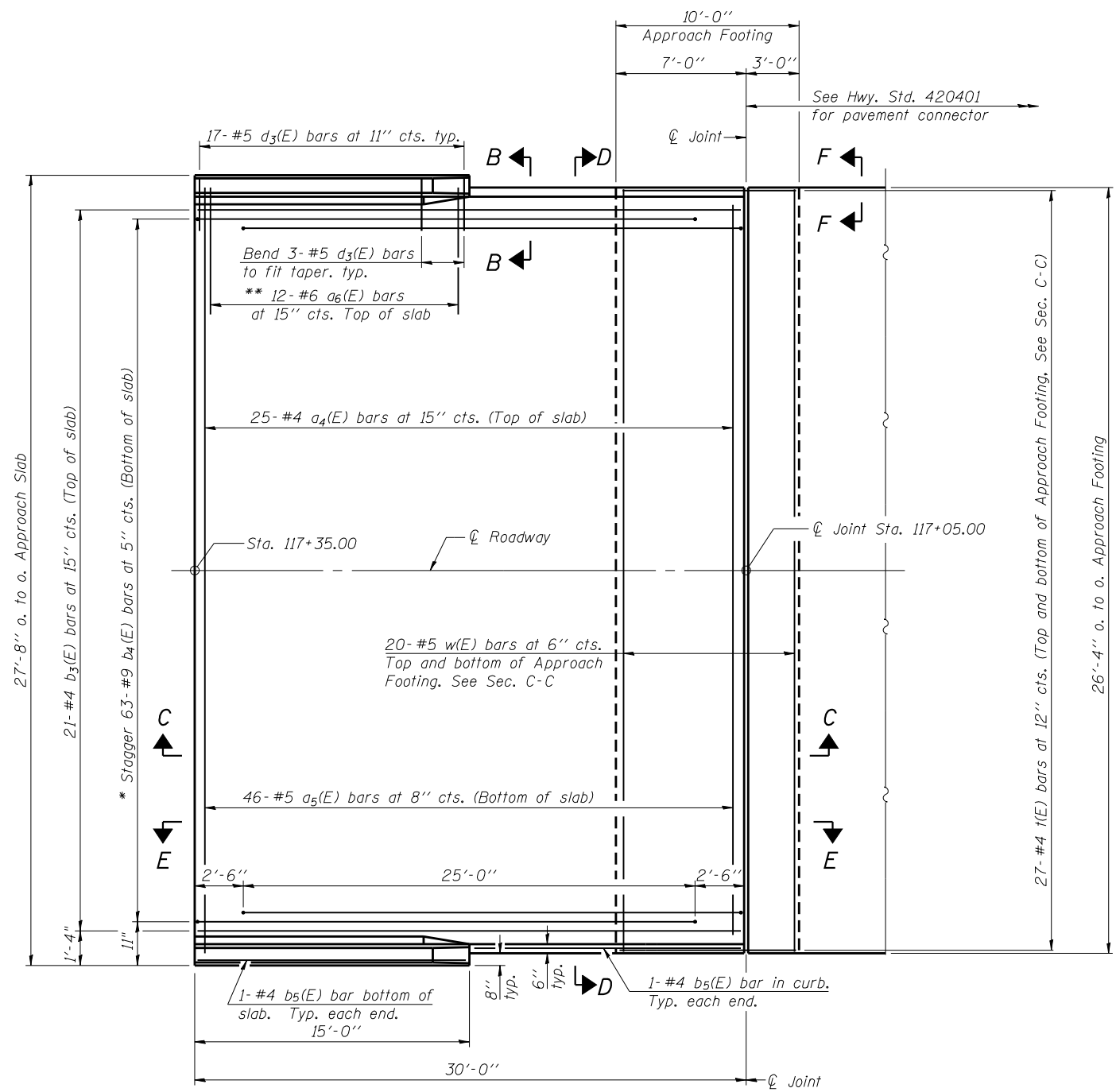
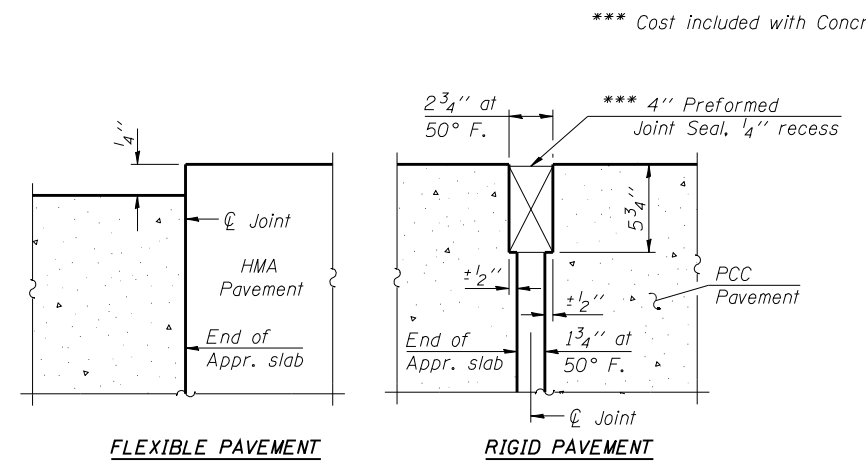
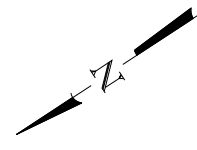


Notes:
 See sheet 12 of 24 for Sections C-C & D-D and View E-E.
 $a_4(E)$ and $a_5(E)$ bar spacings measured along local tangent.
 See sheet 9 of 24 for View B-B showing the deck notch below the parapet.

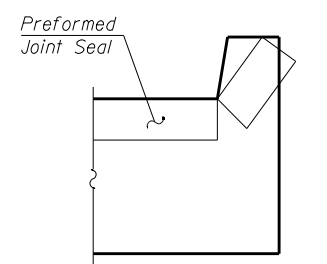


PLAN

* Tilt #9 $b_4(E)$ bars as required to maintain clearance.
 ** Space between $a_4(E)$ bars, typ. ea. parapet.

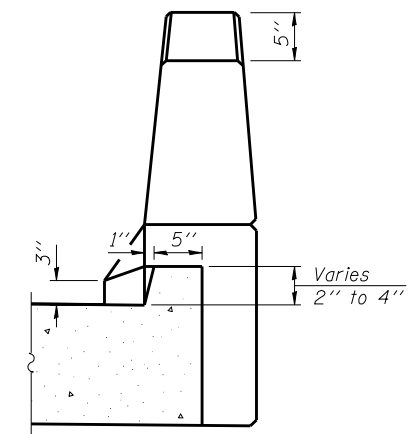


DETAIL A



VIEW F-F

Angle Preformed Joint Seal at 45° at curbs when req'd for drainage.



VIEW B-B

FILE NAME = 74217-09-ppr-slab-udgn
 PROJECT NO. 08853-9

BA-0 10-9-12

CB Coombe-Bloxdorf P.C.
 CIVIL ENGINEERS
 STRUCTURAL ENGINEERS
 LAND SURVEYORS
 Design Firm License No. 184-002703

USER NAME = .CFC.	DESIGNED - GB/MCB	REVISED -
	CHECKED - MCB	REVISED -
PLOT SCALE = 0:2.000000 '1' / IN.	DRAWN - TFG	REVISED -
PLOT DATE = 7/23/2013	CHECKED - MCB	REVISED -

STATE OF ILLINOIS
 DEPARTMENT OF TRANSPORTATION

SOUTH APPROACH SLAB DETAILS
 STRUCTURE NO. 093-0024

SHEET NO. 10 OF 24 SHEETS

F.A. RTE.	SECTION	COUNTY	TOTAL SHEETS	SHEET NO.
1B	(12A)B-1	WABASH	52	32
CONTRACT NO. 74217				
ILLINOIS FED. AID PROJECT				