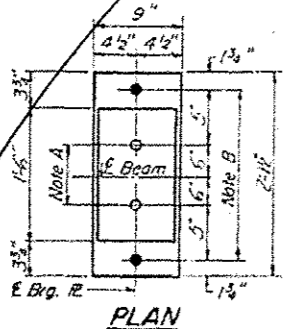
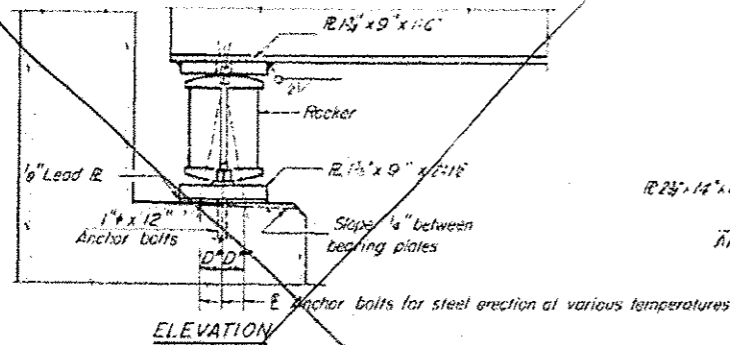


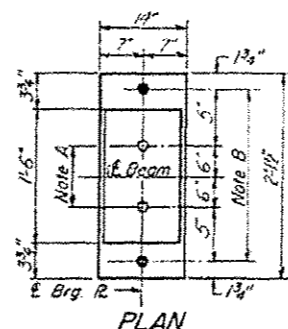
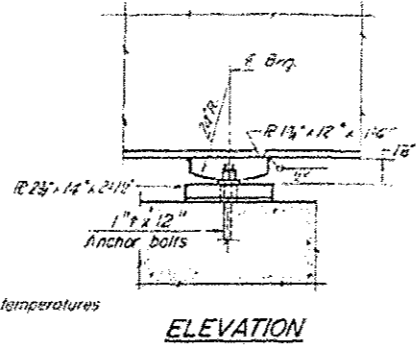
STATE OF ILLINOIS
DEPARTMENT OF TRANSPORTATION

NO. 121	101 BR	SHELBY	2 B	15	SHEET NO. 2
					25 SHEETS



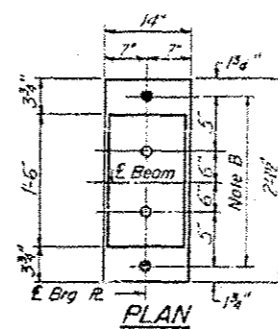
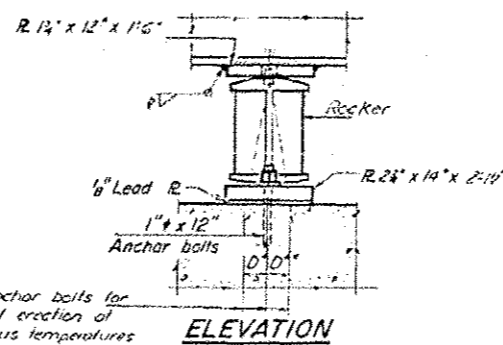
AT ABUTMENTS

NOTE A
1 1/2" Holes - 1" deep in top R.
for pintles Thread or press fit
pintles into bottom R.



AT PIER #1

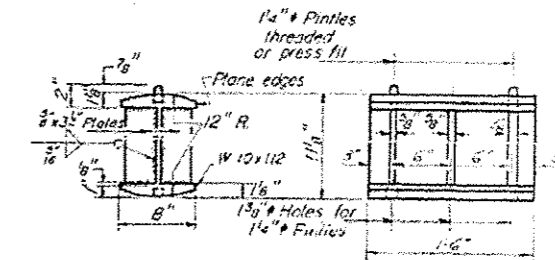
NOTE B
1 1/2" Holes for 1" anchor bolts,
1 1/2 x 2 1/2 x 2 1/2" R. Washers
under nut.



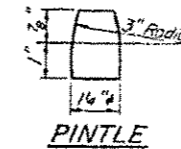
AT PIER #2

BEARING ASSEMBLY DETAILS

Notes:
Bearing seat surfaces shall be constructed or adjusted to the designated elevations within a tolerance of 1/4 inch. Adjustment shall be made either by grinding the surface or by shimming the bearing. Two 1/8" adjusting shims, of the dimensions of the bottom bearing plate, shall be provided for each bearing in addition to all other plates or shims.
Work this sheet with sheets 471#9.



ROCKER



PINTLE

INTERCHANGED SECTION TABLE
AISC, 13th Ed., Part 1, Sec. 1.3.2, 1.3.3, 1.3.4

1/2 (A4)	185.8	300.89	109.2
3/4 (A4)	322.0		322.0
5/8 (A4)	456.1	190.0	456.1
3/4 (A3)	1320.5		1320.5
1 (A3)	107	131	107
1 1/8 (A3)	625.4	200.3	539.7
1 1/4 (A3)	76	131	66
1 1/2 (A3)	0.44		0.44
1 3/4 (A3)	294.3		333.0
1 3/4 (A3)	420.6	275.7	918.7
1 3/4 (A3)	739.2	175.2	176.2
2 (A3)	1393.1	1330.9	1468.0
2 1/4 (A3)	124	66	134
2 1/2 (A3)	200	197	200
VR (A)	56.1		57.7

INTERCHANGED SECTION TABLE
AISC, 13th Ed., Part 1, Sec. 1.3.2

1/2 (A)	52.6	189.8
3/4 (A)	38.7	237
1 (A)	10.8	16.7
1 1/4 (A)	109.2	286.2

I_x and I_y are the moment of inertia and section modulus of the steel section.
 I_c and S_c are the moment of inertia and section modulus of the composite section used in computing I_x .
 VR is the maximum & r-ramp steel range in mm.

NOTES ON SETTING OF ANCHOR BOLTS AT EXP. BRGS.

- a) D^* (Side of brg. away from fixed brg.)
 $D^* = 1/8$ " per each 100' of expansion for every 15° fall below the normal temp. of 50°F
- D^{**} (Side of brg. toward fixed brg.)
 $D^{**} = 1/8$ " per each 100' of expansion for every 15° rise above the normal temp. of 50°F
- b) After beams have been erected and dimensions D^* or D^{**} determined, holes shall be drilled and anchor bolts shall be grouted in place. All fixed anchor bolts may be bolted into the masonry.

DESIGNED	Stanley P. L...	DATE	July 9 1971
CHECKED	S. R. Stanton		
DRAWN	P. G. B...		
CHECKED	S. L. K...		

I-2-B 9-1-25, 8-1-70

BEARING DETAILS
SHELBY COUNTY
SHELBY COUNTY
SIA 10/2/2008