

STATE OF ILLINOIS  
DEPARTMENT OF PUBLIC WORKS & BUILDINGS  
DIVISION OF HIGHWAYS

PROJECT NO.	SECTION	COUNTY	TOTAL SHEETS	SHEET NO.
11-57	25-7B-1	EFFINGHAM	9-5	11
FOR ROAD DIST. NO. 1 ILLINOIS FED. AID PROJECT				

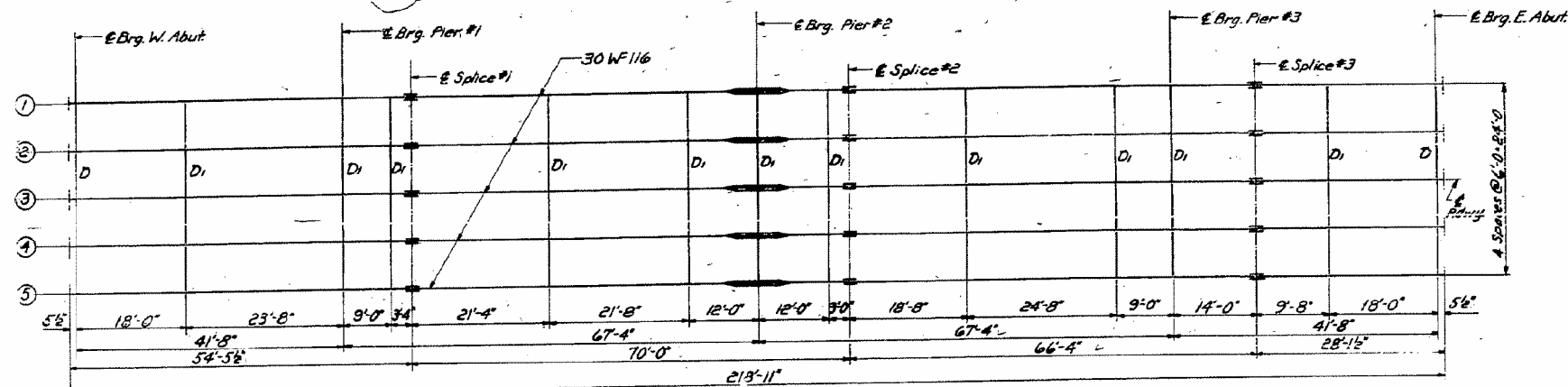
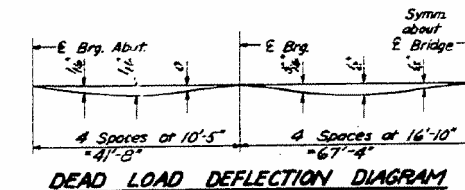
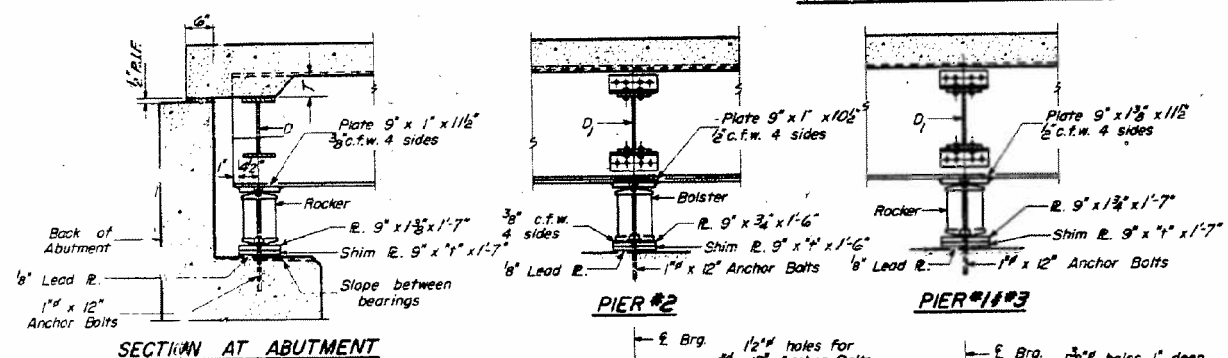


TABLE OF T & T DIMENSIONS

Beam No.	1	2	3	4	5
T	3'	4'	4 3/8'	4'	3'
T	6'	7'	7 3/8'	7'	6'

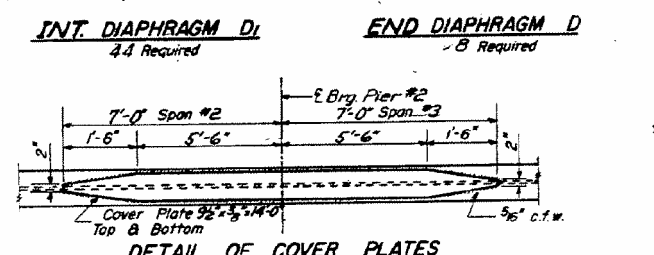
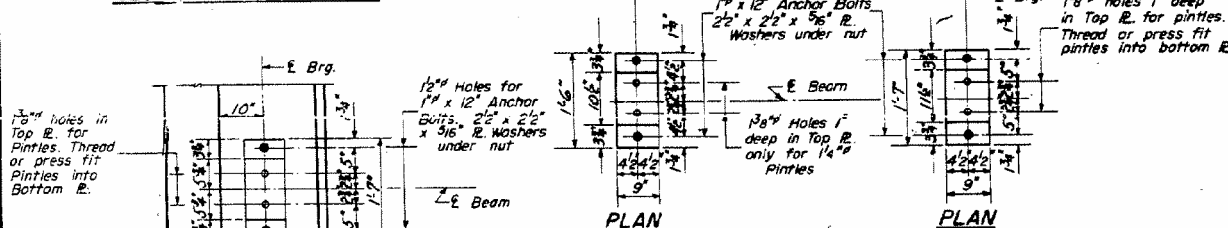
STEEL FRAMING PLAN



ELEVATION TOP OF BEAMS

(For Fabrication Only)

Beam No.	W. Abut.	Pier #1	Splice #1	Pier #2	Splice #2	Pier #3	Splice #3	E. Abut.
#1 & #5	585.57	585.64	585.94	586.06	586.10	585.82	585.74	585.51
#2 & #4	585.60	585.93	586.09	586.15	586.19	585.91	585.83	585.60
#3	585.63	585.96	586.06	586.18	586.22	585.94	585.86	585.63



FABRICATION DIAGRAM

TABLE OF T DIMENSIONS

Beam No.	1	2	3	4	5
T	0	0	0	0	0

DESIGNED BY: *W. Hsiang*  
CHECKED BY: *T. M. Hsiang*  
DRAWN BY: *W. Hsiang*  
DATE: 8/6/2013

EXAMINED BY: *W. B. Bannerman*  
PASSED BY: *W. B. Bannerman*  
APPROVED BY: *W. B. Bannerman*

I-2 Re-drawn 8-18-59

STRUCTURAL STEEL  
F.A.I. RT. 57 SEC. 25-7B-1  
EFFINGHAM COUNTY  
STA. 4760+1728