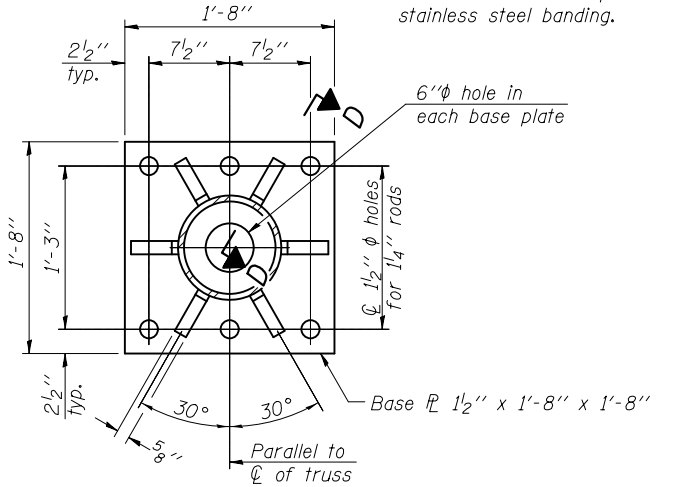
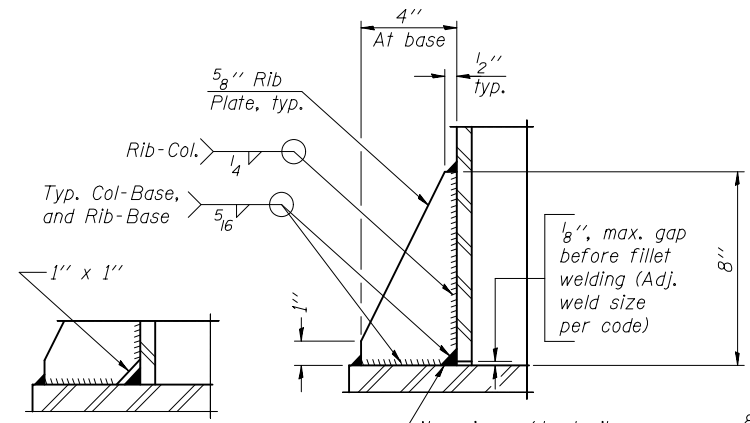


DETAIL B

Ribs shall be cut to fit slope of pipe.
Stainless Steel Standard Grade Wire Cloth, 3" wide, 1/4" maximum opening with a minimum wire diameter of AWG. No. 16 with a minimum 2" lap. Secure to base plate after erection with 3/4" stainless steel banding.

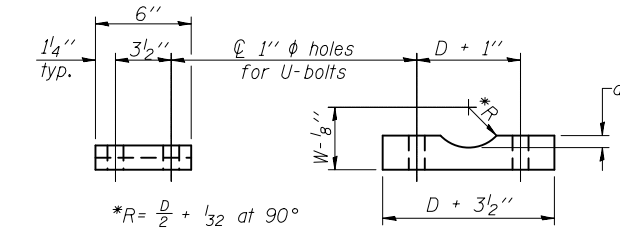


SECTION B-B



SECTION D-D

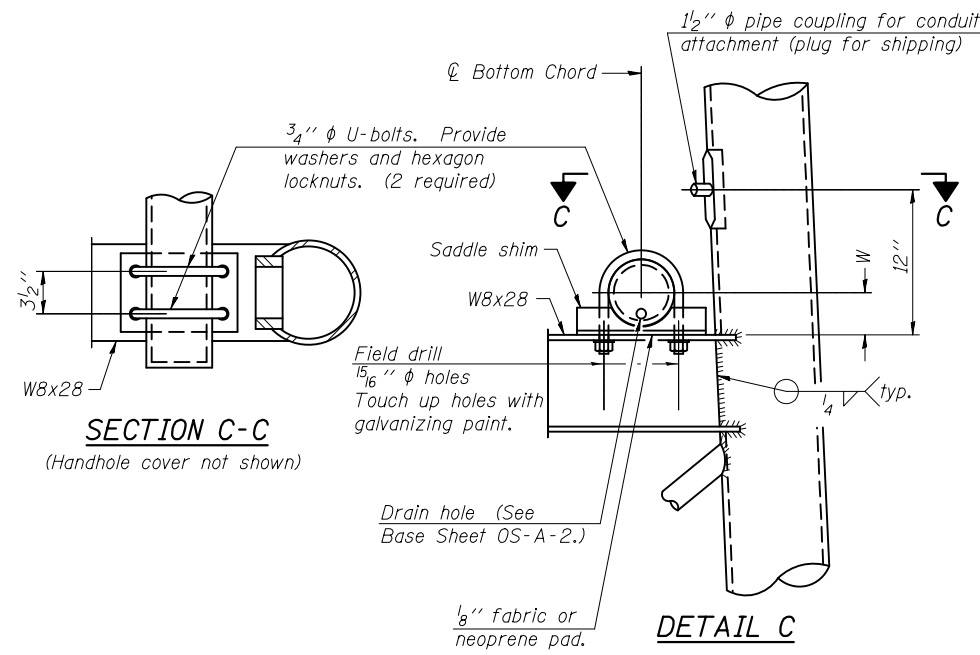
** Alternate detail if welding col. to base plate first, then snip inside corner of ribs. Terminate weld on rib 1/4" from snip.



SADDLE SHIM DETAIL

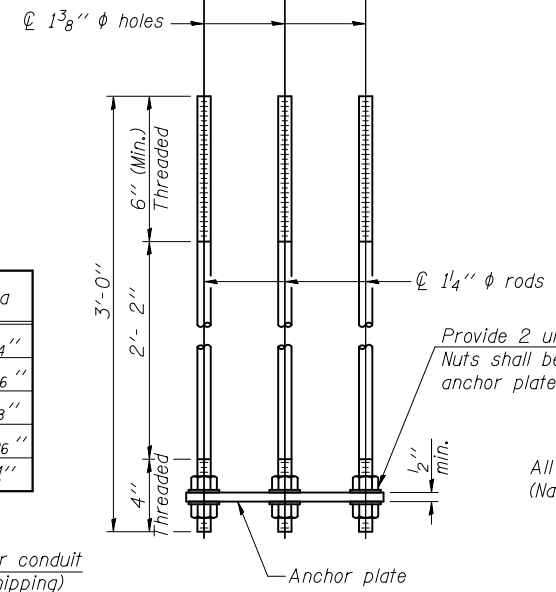
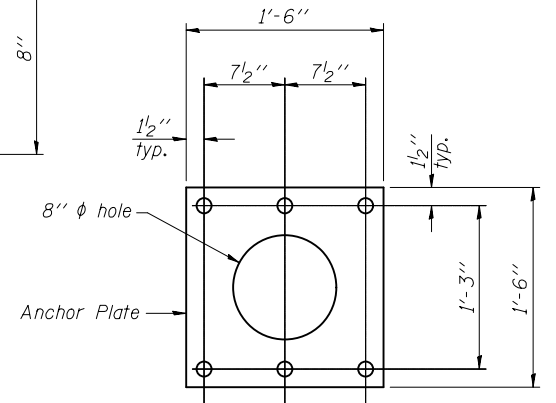
ASTM B26 Alloy 356-F
or
ASTM B209 Alloy 6061-T651 (4 required per sign truss)

Truss Chord Nominal Dia.	a
5"	3/4"
5 1/2"	13/16"
6"	7/8"
6 1/2"	15/16"
7"	1"

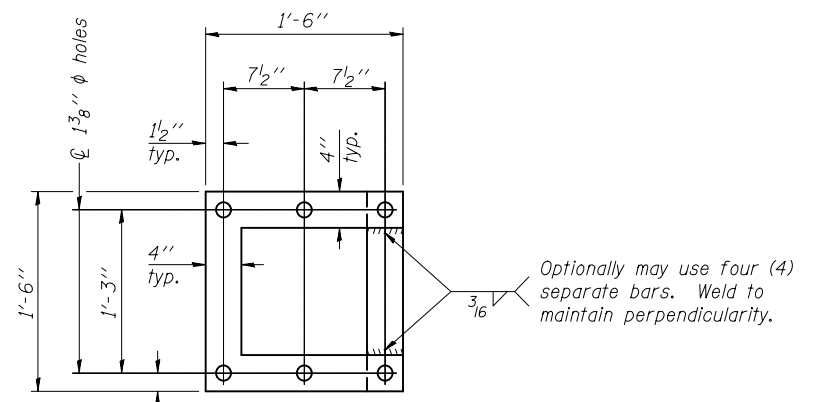


SECTION C-C

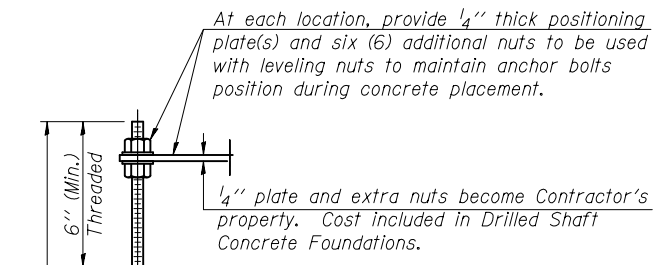
DETAIL C



ANCHOR ROD DETAIL
Spread Footing Foundation



POSITIONING PLATE(S)



ANCHOR ROD DETAIL
Drilled Shaft Foundation

Anchor rods shall conform to ASTM F1554 Grade 105. Galvanize upper 12" minimum per AASHTO M232. No welding shall be permitted on rods.

10" Ø PIPE SUPPORT FRAME DETAILS

OS-A-6A

1-20-11

FILE NAME =	USER NAME = burnsideem	DESIGNED -	REVISED -
et:\pw\work\p\dot\burnsideem\d0146805\d876d22-sht-pln.dgn		DRAWN -	REVISED -
PLOT SCALE = 100.0000' / 1in.		CHECKED -	REVISED -
PLOT DATE = 8/16/2013		DATE -	REVISED -

STATE OF ILLINOIS
DEPARTMENT OF TRANSPORTATION

OVERHEAD SIGN STRUCTURES
SUPPORT FRAME DETAILS - ALUMINUM TRUSS

SCALE: SHEET NO. OF SHEETS STA. TO STA.

F.A.I. RTE.	SECTION	COUNTY	TOTAL SHEETS	SHEET NO.
64	82-(1,2,3,4)RS-1	ST. CLAIR	208	70
CONTRACT NO. 76D22				

FED. ROAD DIST. NO. ILLINOIS FED. AID PROJECT