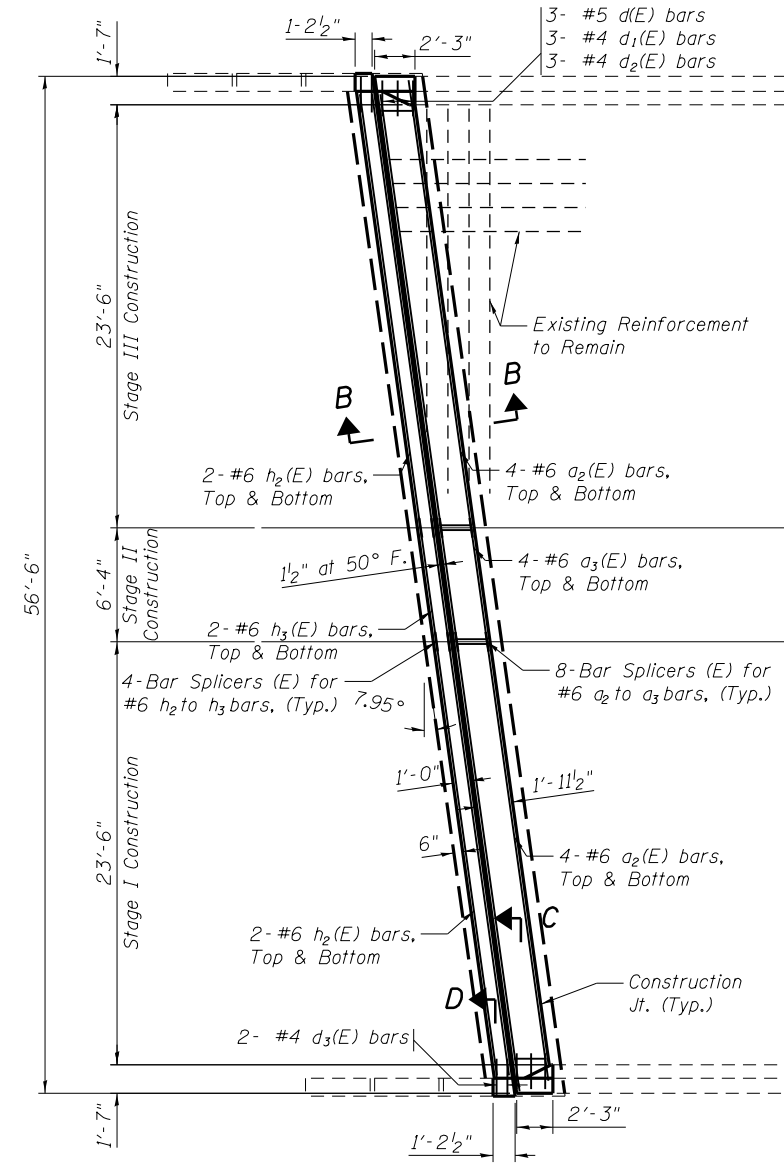
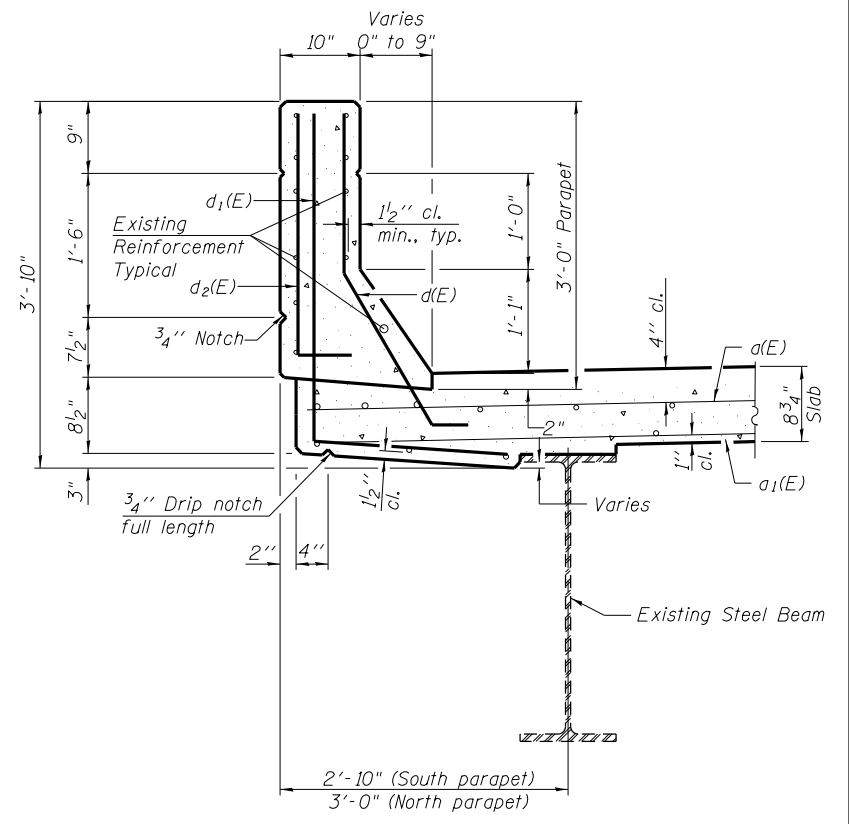


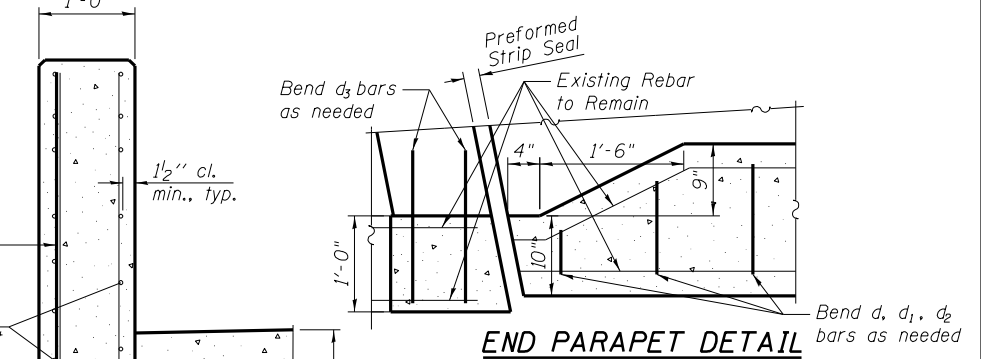
CONCRETE REMOVAL
(West Abut. shown)
(East Abut. similar)



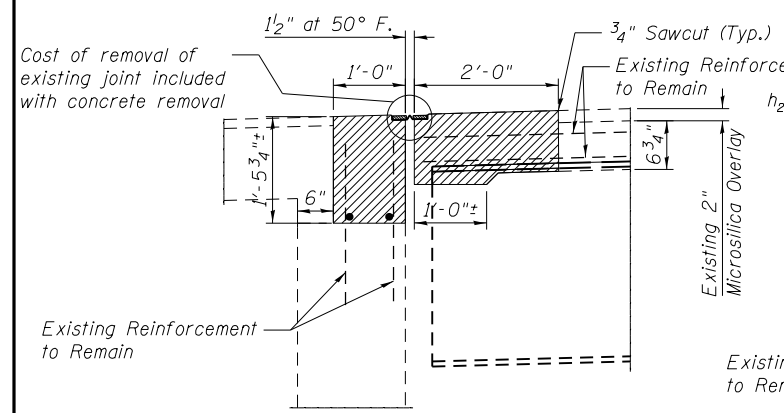
CONCRETE REPLACEMENT
(West Abut. shown)
(East Abut. similar)



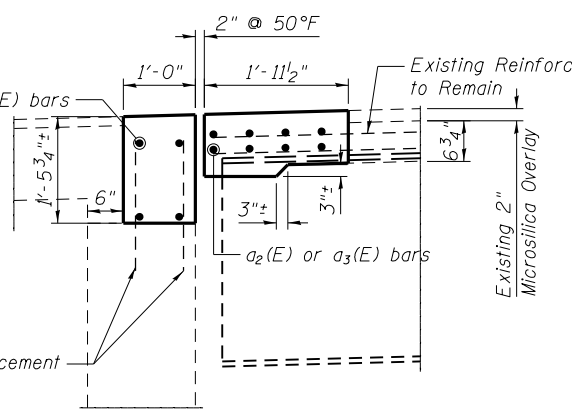
SECTION C-C



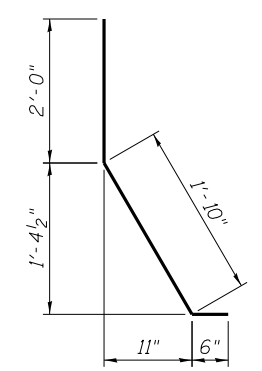
END PARAPET DETAIL



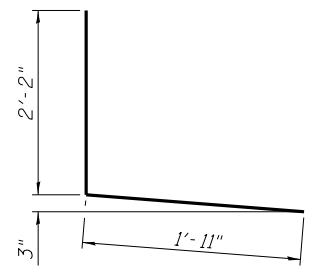
SECTION A-A



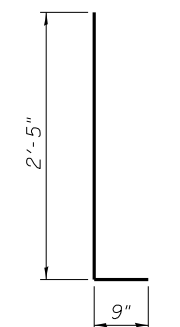
SECTION B-B



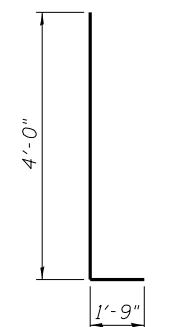
BAR d(E)



BAR d1(E)



BAR d2(E)



BAR d2(E)

**SUPERSTRUCTURE
BILL OF MATERIAL**

Bar	No.	Size	Length	Shape
a2(E)	32	#6	25'-0"	—
a3(E)	16	#6	6'-4"	—
d(E)	12	#5	4'-4"	L
d1(E)	12	#4	4'-1"	L
d2(E)	12	#4	3'-2"	L
d3(E)	8	#4	5'-9"	L
h2(E)	16	#6	24'-3"	—
h3(E)	8	#6	6'-4"	—
Bar Splicers			Each	48
Reinforcement Bars, Epoxy Coated			Pound	2160
Concrete Superstructure			Cu. Yds.	14.3
Concrete Removal			Cu. Yds.	14.5
Preformed Strip Seal			Foot	114

BENTON & ASSOCIATES, INC.

FILE NAME = P:\10e2166-2\ Design\	USER NAME =	DESIGNED - MBH	REVISED - 10/3/13
Plans\ 082-0152 & 082-0153		CHECKED - SJH	REVISED -
0820152-76022-006-Joint.dgn	PLOT SCALE =	DRAWN - MBH	REVISED -
	PLOT DATE	CHECKED - SJH	REVISED -

**STATE OF ILLINOIS
DEPARTMENT OF TRANSPORTATION**

**CONCRETE REMOVAL & REPLACEMENT
STRUCTURE NO. 082-0153**

SHEET NO. 7 OF 9 SHEETS

F.A.I. RT.	SECTION	COUNTY	TOTAL SHEETS	SHEET NO.
64	82-1HB1-2	ST. CLAIR	208	135
CONTRACT NO. 76022				
FED. ROAD DIST. NO. 8 ILLINOIS FED. AID PROJECT				