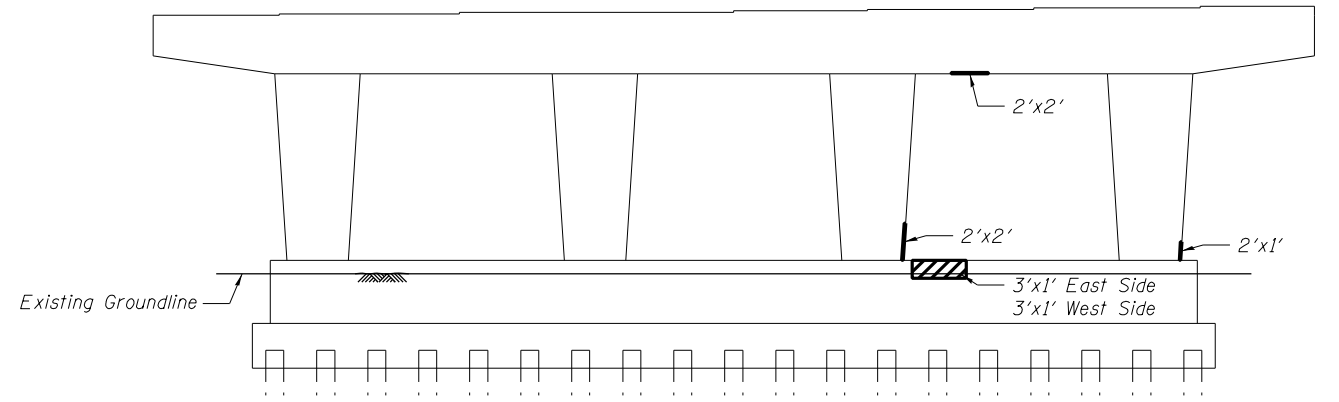
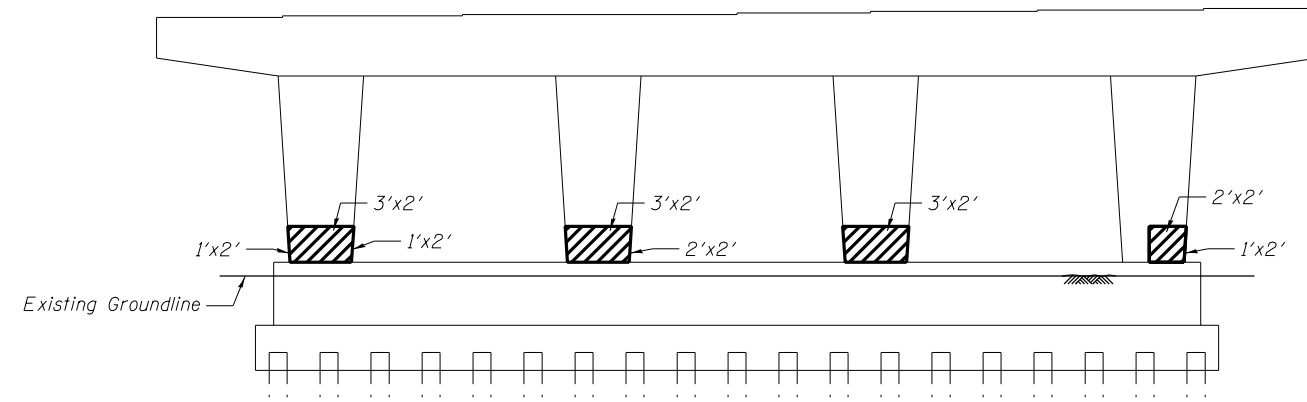


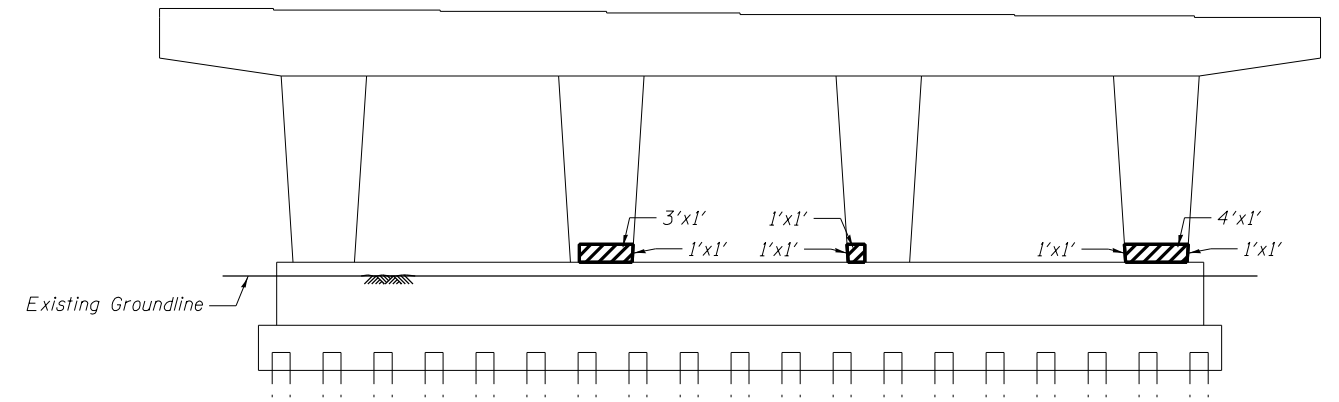
STRUCTURE 082-0155 WEST PIER
(Looking East)



STRUCTURE 082-0155 EAST PIER
(Looking East)



STRUCTURE 082-0154 EAST PIER
(Looking East)



STRUCTURE 082-0154 EAST PIER
(Looking West)

LEGEND

▨ Area of Structural Concrete Repair

BILL OF MATERIAL

Item	Unit	Total
Structural Repair of Concrete (Depth ≤ 5")	Sq. Ft.	93

BENTON & ASSOCIATES, INC.

FILE NAME = P:\10e2166-2\Design\	USER NAME =	DESIGNED - MBH	REVISED -
Plans\ 082-0154 & 082-0155		CHECKED - SJH	REVISED -
0820154-76022-008-Piers.dgn	PLOT SCALE =	DRAWN - MBH	REVISED -
	PLOT DATE =	CHECKED - SJH	REVISED -

**STATE OF ILLINOIS
DEPARTMENT OF TRANSPORTATION**

**SUBSTRUCTURE REPAIRS
STRUCTURE NO. 082-0154 & 082-0155**

SHEET NO. 9 OF 10 SHEETS

F.A.I. RTE.	SECTION	COUNTY	TOTAL SHEETS	SHEET NO.
64	82-1VBI / 82-1VBR	ST. CLAIR	208	146
CONTRACT NO. 76022				
FED. ROAD DIST. NO. 8 ILLINOIS FED. AID PROJECT				