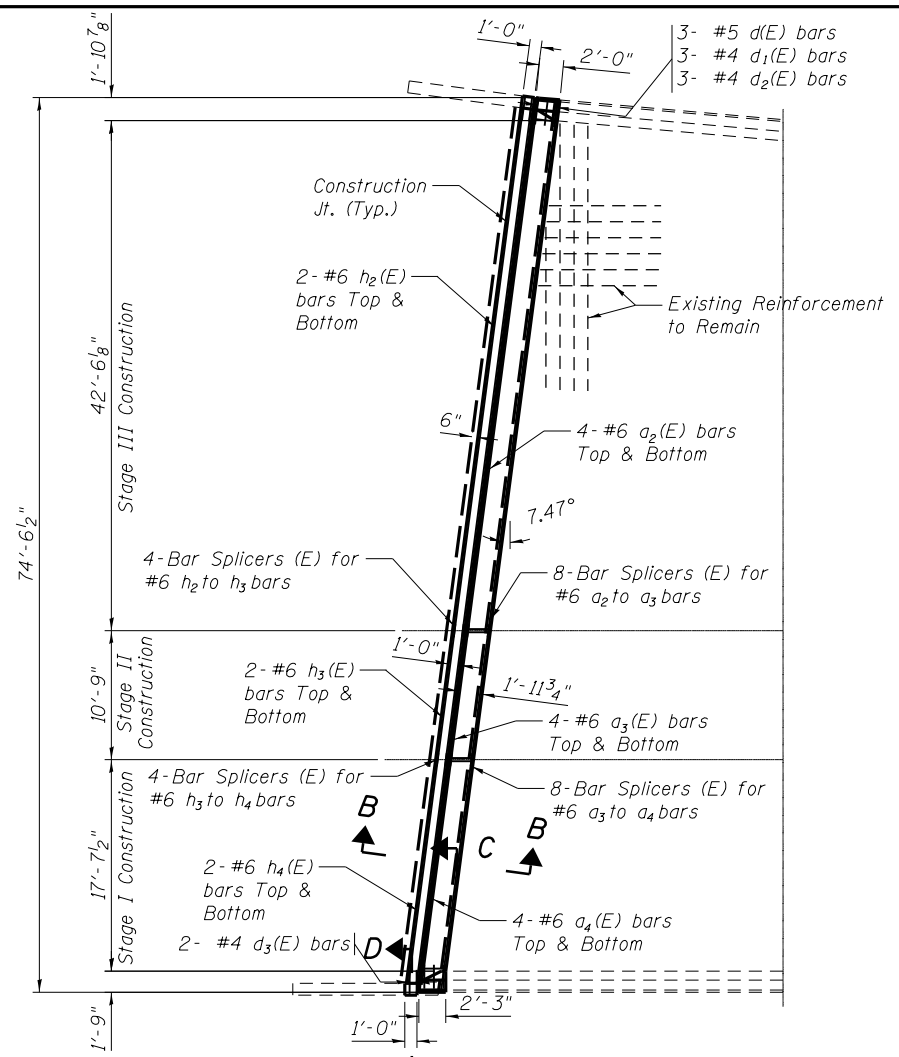
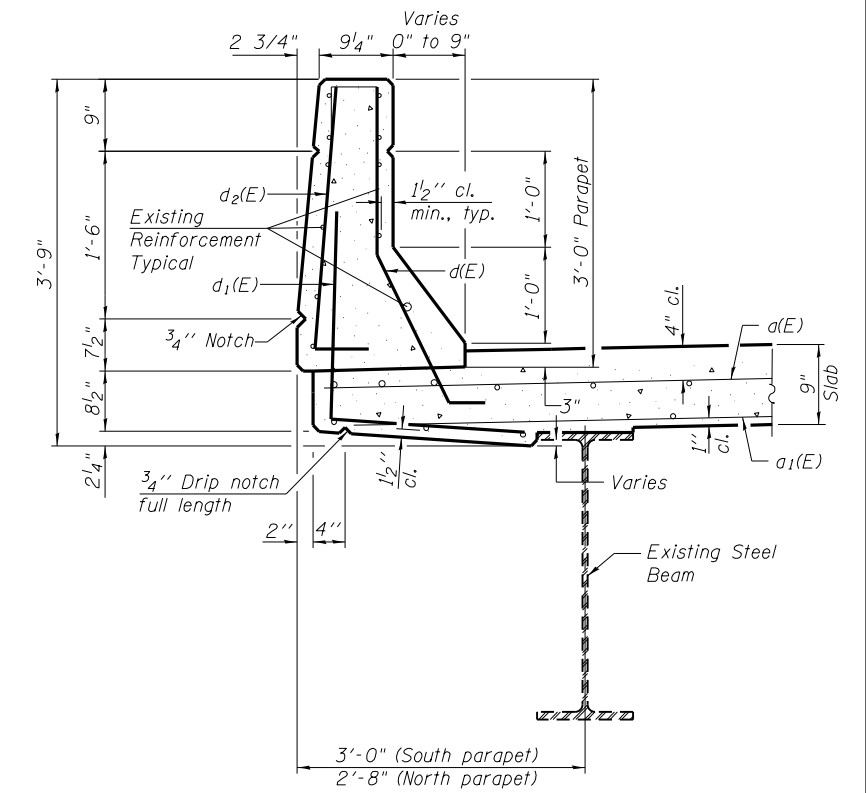


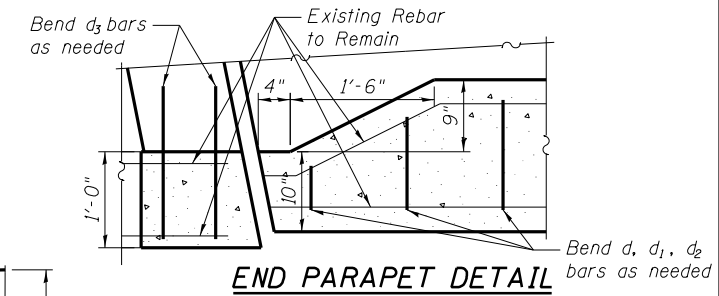
CONCRETE REMOVAL
(West Abut. shown)



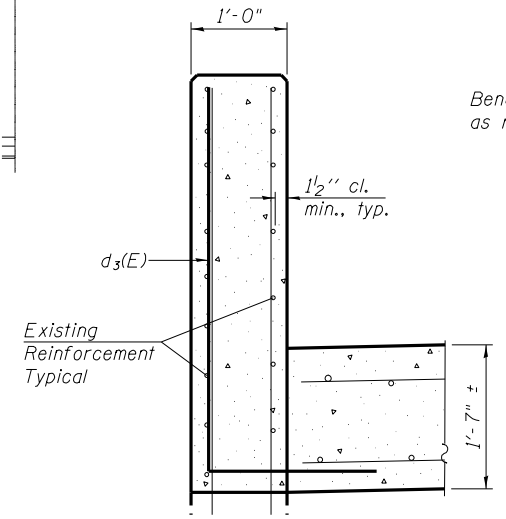
CONCRETE REPLACEMENT
(West Abut. shown)



SECTION C-C



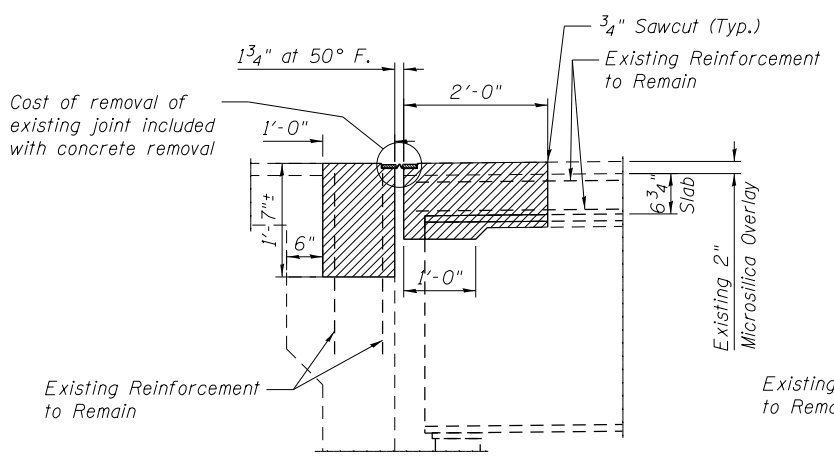
END PARAPET DETAIL



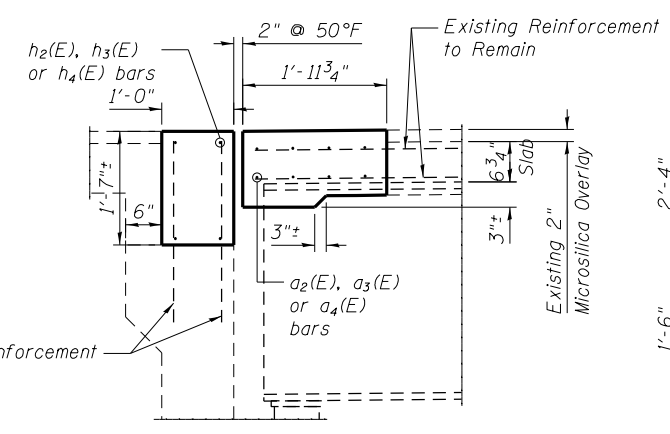
SECTION D-D

**SUPERSTRUCTURE
BILL OF MATERIAL**

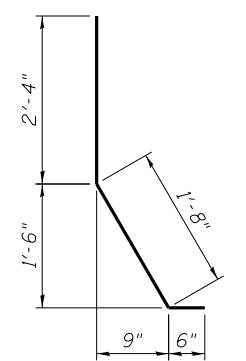
Bar	No.	Size	Length	Shape
a ₂ (E)	8	#6	44'-5"	—
a ₃ (E)	8	#6	10'-7"	—
a ₄ (E)	8	#6	19'-1"	—
d(E)	6	#5	4'-6"	┌
d ₁ (E)	6	#4	4'-1"	┌
d ₂ (E)	6	#4	4'-4"	┌
d ₃ (E)	4	#4	5'-9"	┌
h ₂ (E)	4	#6	43'-7"	—
h ₃ (E)	4	#6	11'-4"	—
h ₄ (E)	4	#6	19'-5"	—
Bar Splicers			Each	24
Reinforcement Bars, Epoxy Coated			Pound	1420
Concrete Superstructure			Cu. Yds.	9.9
Concrete Removal			Cu. Yds.	10.0
Preformed Strip Seal			Foot	75



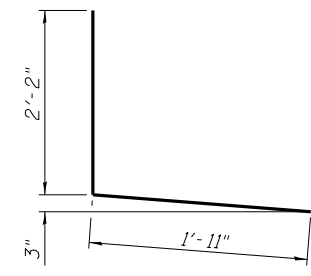
SECTION A-A



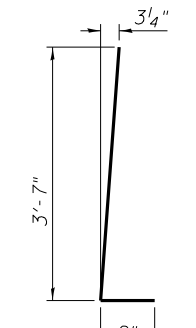
SECTION B-B



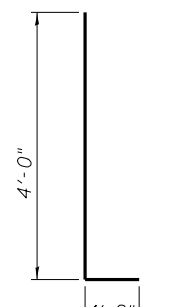
BAR d(E)



BAR d1(E)



BAR d2(E)



BAR d3(E)

FILE NAME = P:\10e2166-2\ Design\	USER NAME =	DESIGNED - MBH	REVISED - 10/3/13
Plans\ 082-0156 & 082-0157		CHECKED - SJH	REVISED -
0820156-76022-006-Joint.dgn	PLOT SCALE =	DRAWN - MBH	REVISED -
	PLOT DATE =	CHECKED - SJH	REVISED -

**STATE OF ILLINOIS
DEPARTMENT OF TRANSPORTATION**

**CONCRETE REMOVAL & REPLACEMENT
STRUCTURE NO. 082-0157**

SHEET NO. 7 OF 11 SHEETS

F.A.I. RT.E.	SECTION	COUNTY	TOTAL SHEETS	SHEET NO.
64	82-1VBI / 82-1VBR	ST. CLAIR	208	154
CONTRACT NO. 76022				
FED. ROAD DIST. NO. 8 ILLINOIS FED. AID PROJECT				