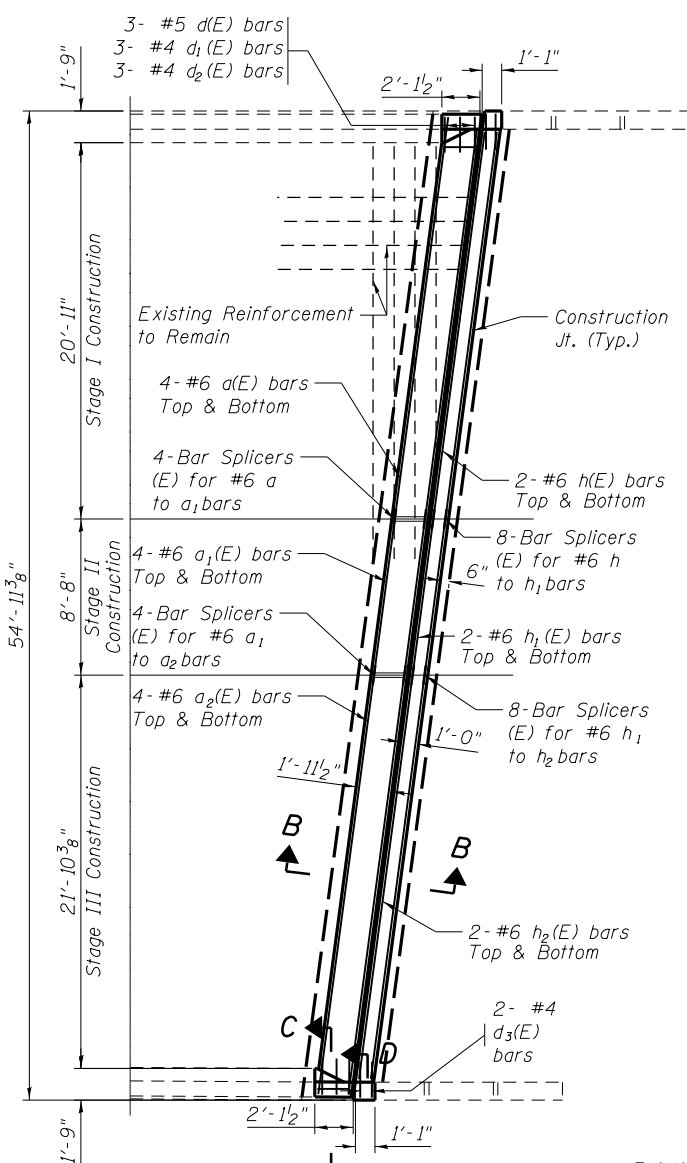
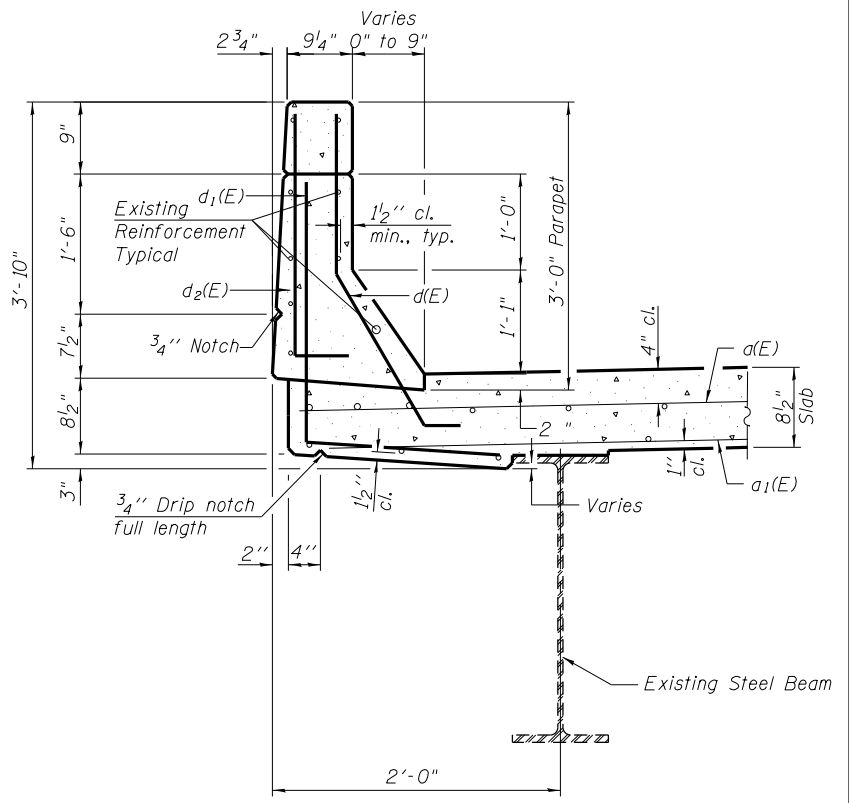


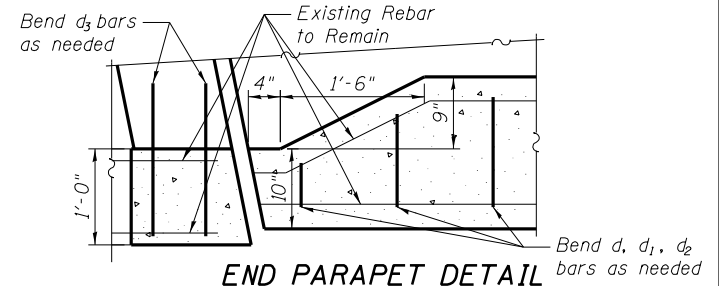
**CONCRETE REMOVAL**  
(East Abut. shown)



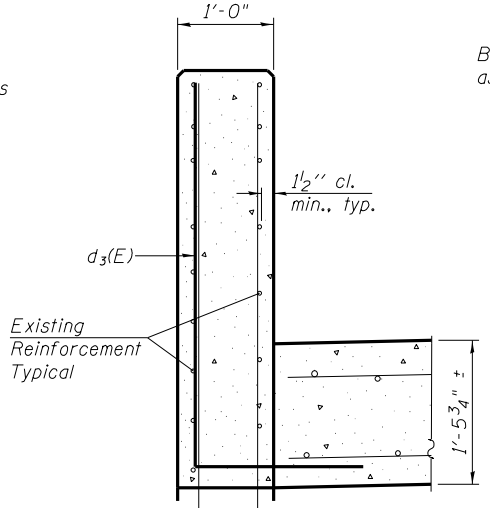
**CONCRETE REPLACEMENT**  
(East Abut. shown)



**SECTION C-C**



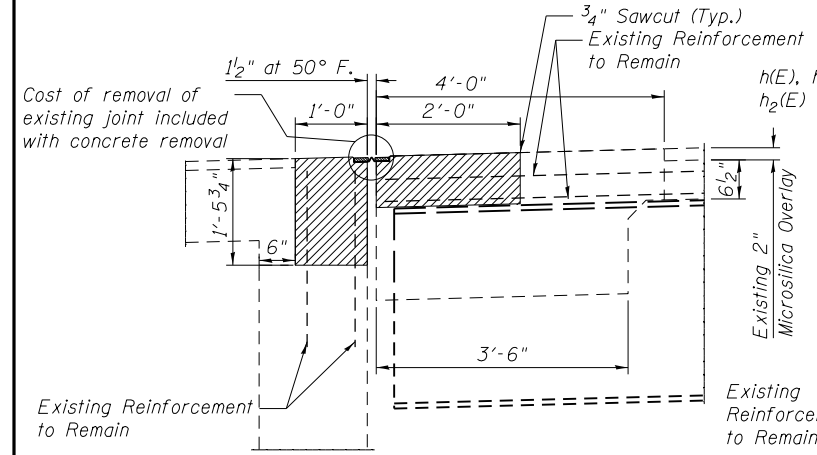
**END PARAPET DETAIL**



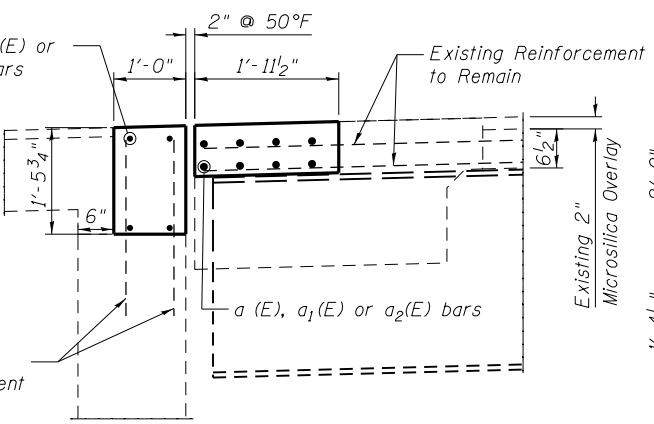
**SECTION D-D**

**SUPERSTRUCTURE BILL OF MATERIAL**

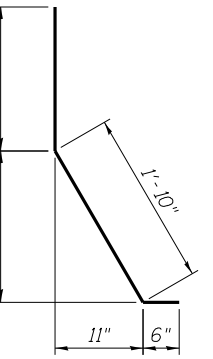
Bar	No.	Size	Length	Shape
a(E)	8	#6	22'-4"	—
a1(E)	8	#6	8'-8"	—
a2(E)	8	#6	23'-3"	—
d(E)	6	#5	4'-4"	┌
d1(E)	6	#4	3'-7"	┌
d2(E)	6	#4	3'-3"	┌
d3(E)	4	#4	5'-9"	┌
h(E)	4	#6	21'-10"	—
h1(E)	4	#6	8'-8"	—
h2(E)	4	#6	22'-9"	—
Bar Splicers			Each	24
Reinforcement Bars, Epoxy Coated			Pound	1050
Concrete Superstructure			Cu. Yds.	7.2
Concrete Removal			Cu. Yds.	7.3
Performed Strip Seal			Foot	56



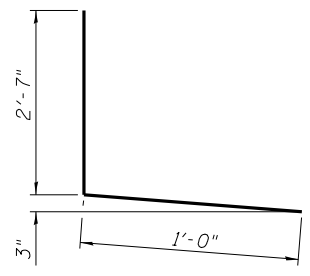
**SECTION A-A**



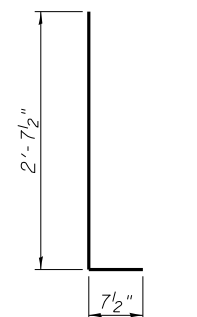
**SECTION B-B**



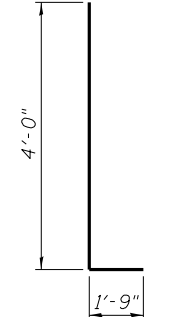
**BAR d(E)**



**BAR d1(E)**



**BAR d2(E)**



**BAR d3(E)**

**BENTON & ASSOCIATES, INC.**

FILE NAME = P:\10e2166-2\ Design\	USER NAME =	DESIGNED - MBH	REVISED - 10/3/13
Plans\ 082-0160 & 082-0161		CHECKED - SJH	REVISED -
0820160-76022-005-Joint.dgn	PLOT SCALE =	DRAWN - MBH	REVISED -
	PLOT DATE	CHECKED - SJH	REVISED -

**STATE OF ILLINOIS**  
**DEPARTMENT OF TRANSPORTATION**

**CONCRETE REMOVAL & REPLACEMENT**  
**STRUCTURE NO. 082-0160**

SHEET NO. 6 OF 10 SHEETS

F.A.I. RTE.	SECTION	COUNTY	TOTAL SHEETS	SHEET NO.
64	82-2HBI	ST. CLAIR	208	172
CONTRACT NO. 76022				
FED. ROAD DIST. NO. 8 ILLINOIS FED. AID PROJECT				