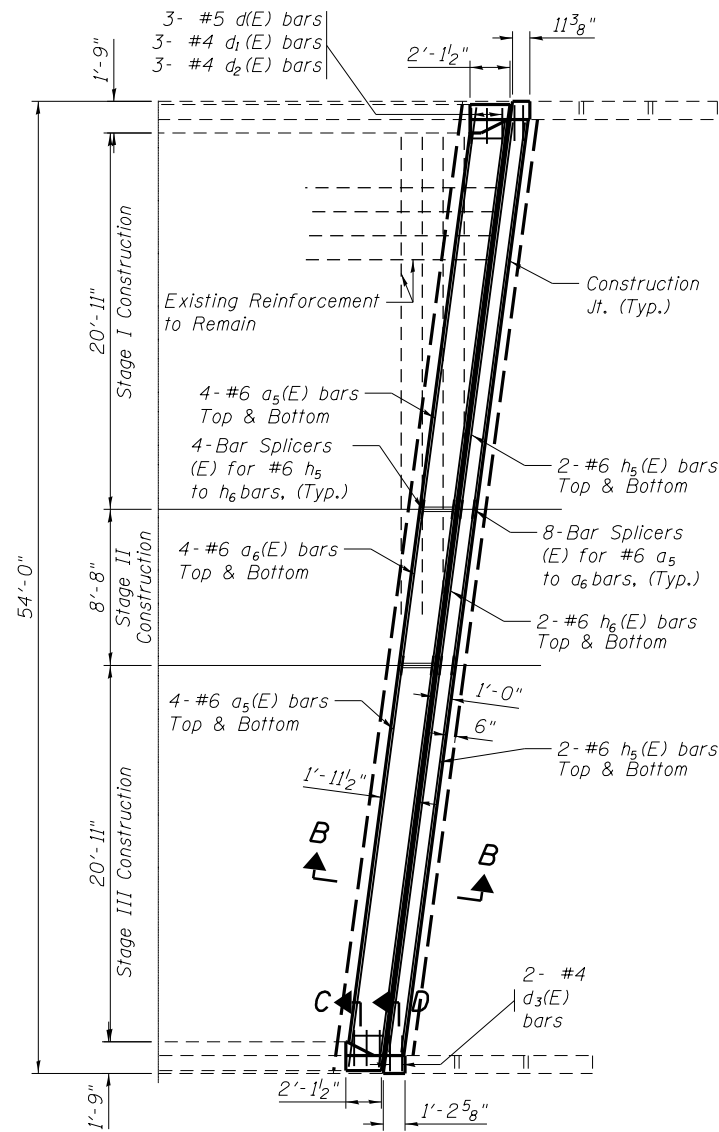
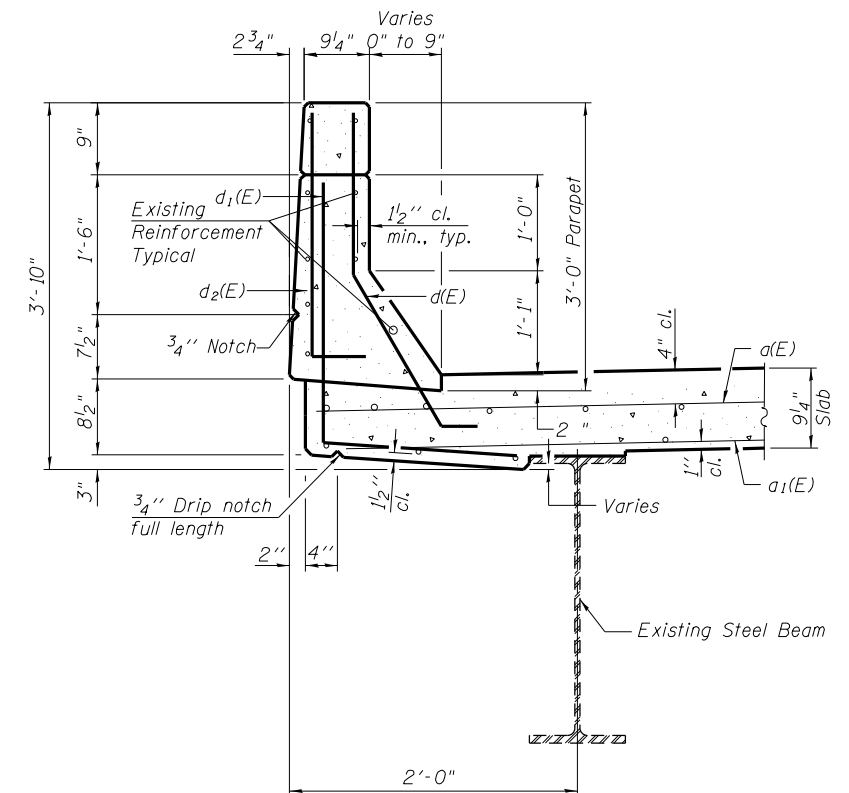


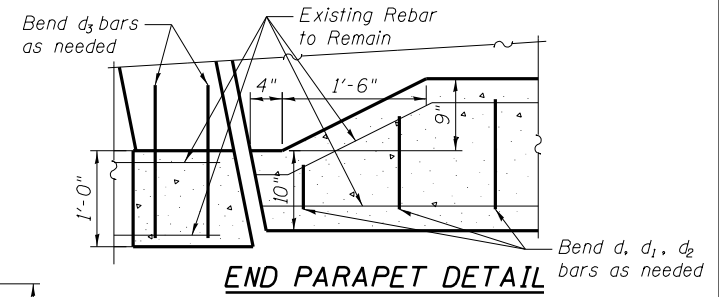
CONCRETE REMOVAL
(East Abut. shown)
(West Abut. similar)



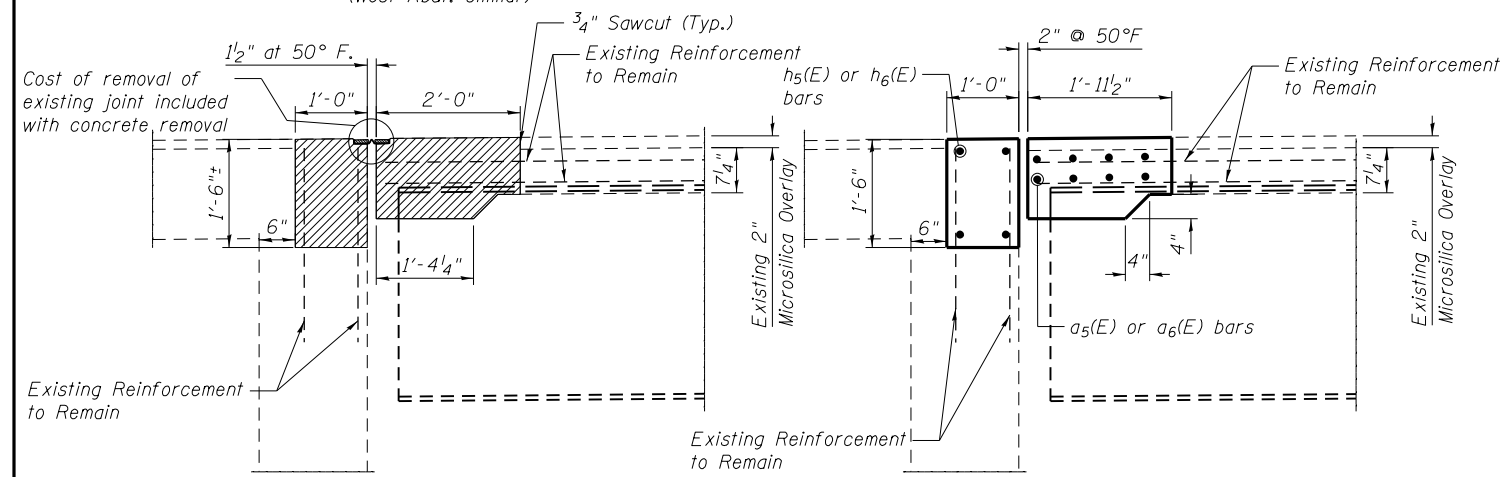
CONCRETE REPLACEMENT
(East Abut. shown)
(West Abut. similar)



SECTION C-C

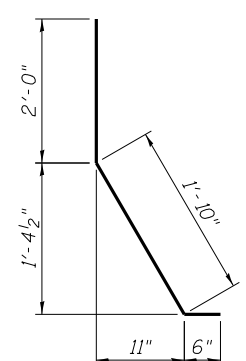


END PARAPET DETAIL

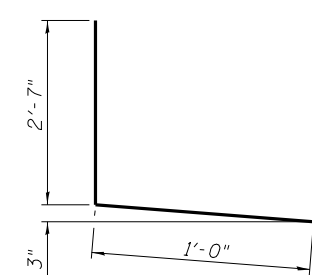


SECTION A-A

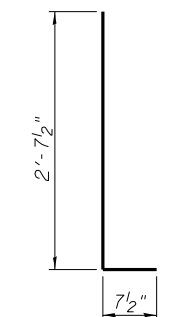
SECTION B-B



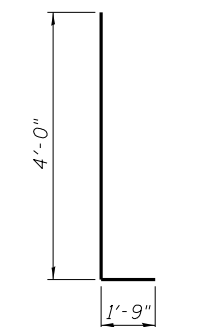
BAR d(E)



BAR d1(E)



BAR d2(E)



BAR d3(E)

SECTION D-D

**SUPERSTRUCTURE
BILL OF MATERIAL**

Bar	No.	Size	Length	Shape
a5(E)	32	#6	22'-4"	—
a6(E)	16	#6	8'-8"	—
d(E)	12	#5	4'-4"	L
d1(E)	12	#4	3'-7"	L
d2(E)	12	#4	3'-3"	L
d3(E)	8	#4	5'-9"	L
h5(E)	16	#6	21'-10"	—
h6(E)	8	#6	8'-8"	—
Bar Splicers			Each	48
Reinforcement Bars, Epoxy Coated			Pound	2060
Concrete Superstructure			Cu. Yds.	14.1
Concrete Removal			Cu. Yds.	14.3
Performed Strip Seal			Foot	109

BENTON & ASSOCIATES, INC.

FILE NAME = P:\10e2166-2\ Design\ Plans\ 082-0160 & 082-0161	USER NAME =	DESIGNED - MBH	REVISED - 10/3/13
0820160-76022-007-Joint.dgn	PLOT SCALE =	CHECKED - SJH	REVISED -
	PLOT DATE	DRAWN - MBH	REVISED -
		CHECKED - SJH	REVISED -

**STATE OF ILLINOIS
DEPARTMENT OF TRANSPORTATION**

**CONCRETE REMOVAL & REPLACEMENT
STRUCTURE NO. 082-0161**

SHEET NO. 8 OF 10 SHEETS

F.A.I. RT. = 64	SECTION = 82-2HBI	COUNTY = ST. CLAIR	TOTAL SHEETS = 208	SHEET NO. = 174
CONTRACT NO. 76022			FED. ROAD DIST. NO. 8 ILLINOIS FED. AID PROJECT	