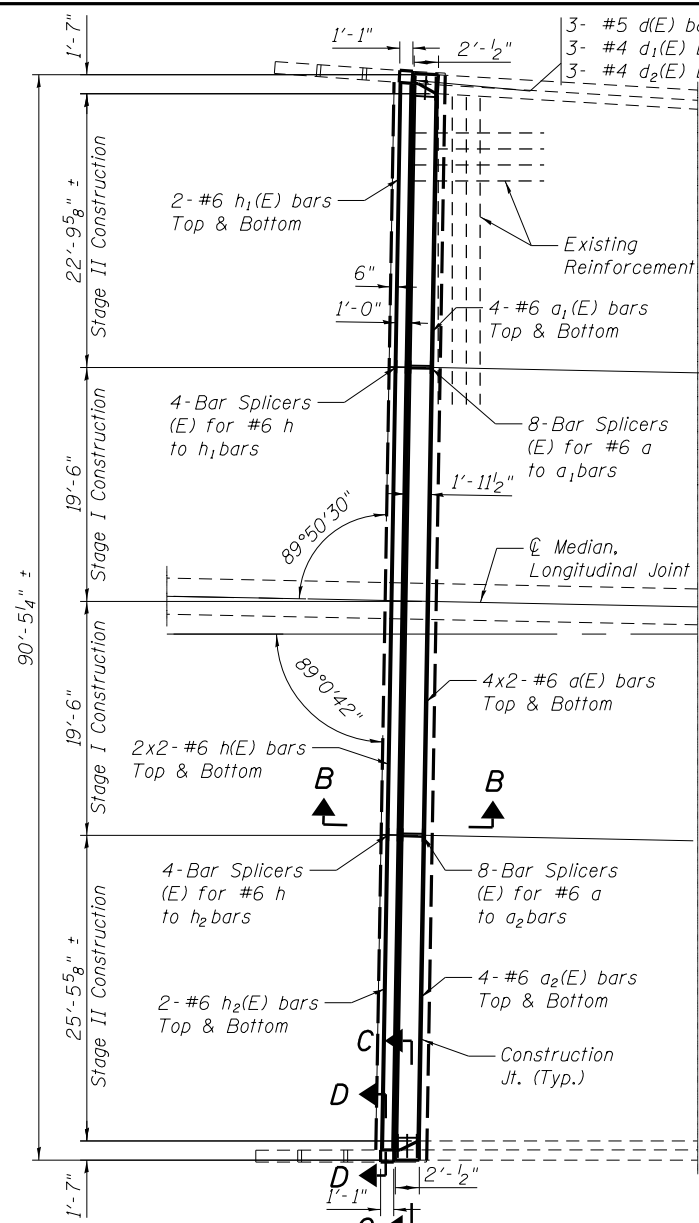
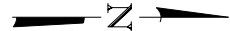
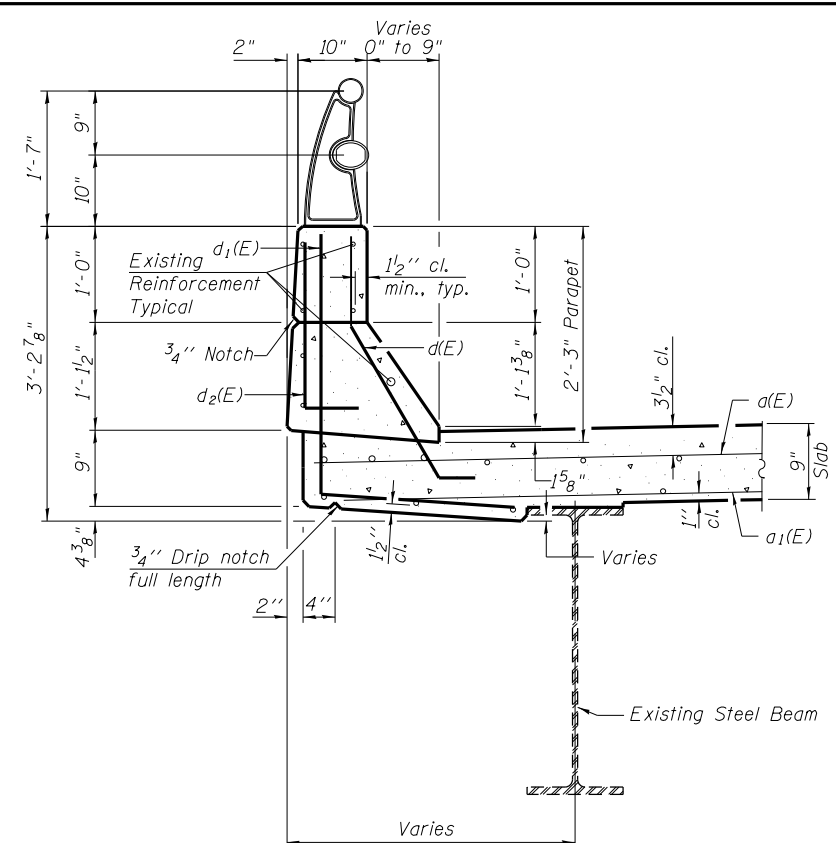


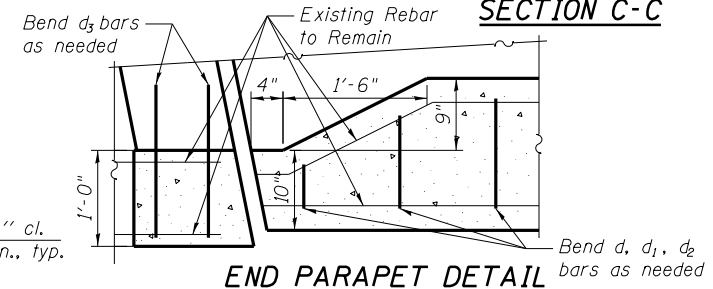
CONCRETE REMOVAL
(South Abut. shown)



CONCRETE REPLACEMENT
(South Abut. shown)



SECTION C-C

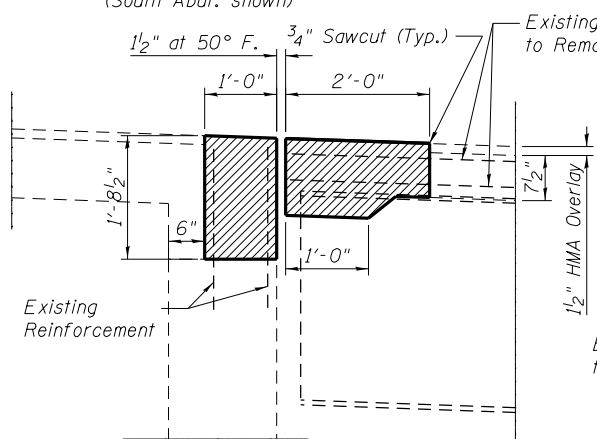


END PARAPET DETAIL

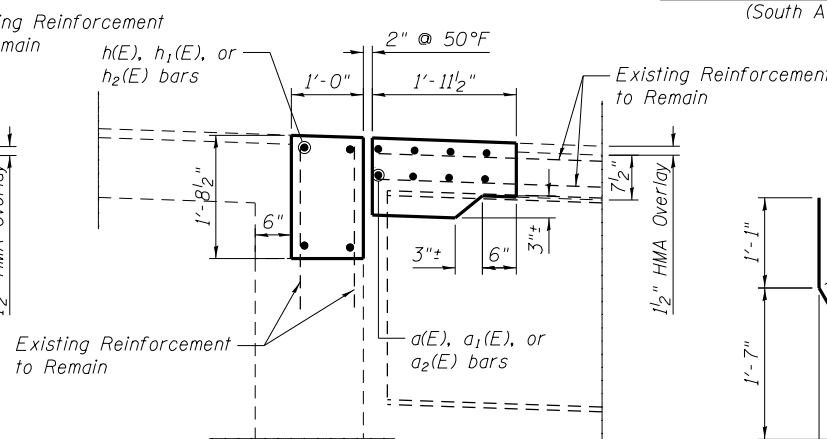
**SUPERSTRUCTURE
BILL OF MATERIAL**

Bar	No.	Size	Length	Shape
a(E)	16	#6	20'-11"	—
a ₁ (E)	8	#6	24'-1"	—
a ₂ (E)	8	#6	26'-9"	—
d(E)	6	#5	3'-5"	⌋
d ₁ (E)	3	#4	4'-5"	⌋
d ₂ (E)	3	#4	2'-5"	⌋
d ₃ (E)	2	#4	5'-9"	⌋
d ₄ (E)	3	#4	5'-2"	⌋
d ₅ (E)	2	#4	6'-6"	⌋
d ₆ (E)	3	#4	3'-2"	⌋
h(E)	8	#6	20'-11"	—
h ₁ (E)	4	#6	23'-5"	—
h ₂ (E)	4	#6	26'-0"	—
Bar Splicers		Each	24	
Reinforcement Bars, Epoxy Coated		Pound	1730	
Concrete Superstructure		Cu. Yds.	12.3	
Concrete Removal		Cu. Yds.	12.4	
Preformed Strip Seal		Foot	91	

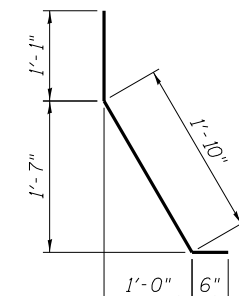
Bars indicated thus 4x2 -#6 etc. indicates 4 lines of bars with 2 lengths per line.



SECTION A-A

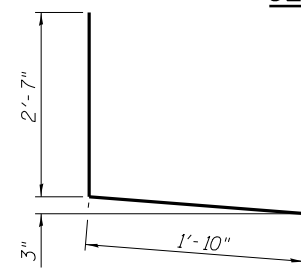


SECTION B-B



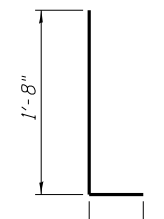
BAR d(E)

MINIMUM BAR LAP
#6 bar = 3'-1"

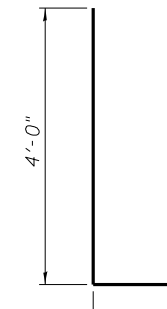


BAR d₁(E)

SECTION D-D



BAR d₂(E)



BAR d₃(E)

BENTON & ASSOCIATES, INC.

FILE NAME = P:\10e2166-2\ Design\ Plans\ 082-0166	USER NAME =	DESIGNED - MBH	REVISED - 10/3/13
0820166-76022-005-Joint.dgn	PLOT SCALE =	CHECKED - SJH	REVISED -
	PLOT DATE	DRAWN - MBH	REVISED -
		CHECKED - SJH	REVISED -

**STATE OF ILLINOIS
DEPARTMENT OF TRANSPORTATION**

**CONCRETE REMOVAL & REPLACEMENT
STRUCTURE NO. 082-0166**

SHEET NO. 6 OF 11 SHEETS

F.A.I. RTE.	SECTION	COUNTY	TOTAL SHEETS	SHEET NO.
64	82-3HB-1	ST. CLAIR	208	192
				CONTRACT NO. 76022
FED. ROAD DIST. NO. 8 ILLINOIS FED. AID PROJECT				