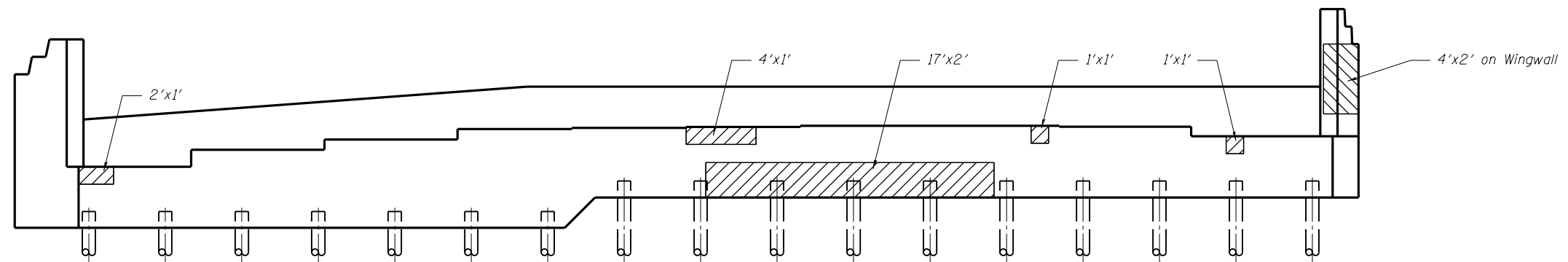



**SOUTH ABUTMENT**  
(Looking South)



**NORTH ABUTMENT**  
(Looking North)

**LEGEND**

 Area of Structural Concrete Repair

**BILL OF MATERIAL**

Item	Unit	Total
Structural Repair of Concrete (Depth <= 5")	Sq. Ft.	128

**BENTON & ASSOCIATES, INC.**

FILE NAME = P:\10e2166-5\ Design\ Plans\ 082-0196-76022-011- Abut.dgn	USER NAME =	DESIGNED - MBH	REVISED - _____
		CHECKED - SJH	REVISED - _____
	PLOT SCALE =	DRAWN - MBH	REVISED - _____
	PLOT DATE =	CHECKED - SJH	REVISED - _____

**STATE OF ILLINOIS  
DEPARTMENT OF TRANSPORTATION**

**ABUTMENT REPAIRS  
STRUCTURE NO. 082-0196**

SHEET NO. 11 OF 11 SHEETS

F.A.I. RTE.	SECTION	COUNTY	TOTAL SHEETS	SHEET NO.
64	82-3HB-1	ST. CLAIR	208	208
FED. ROAD DIST. NO. 8 ILLINOIS FED. AID PROJECT			CONTRACT NO. 76022	