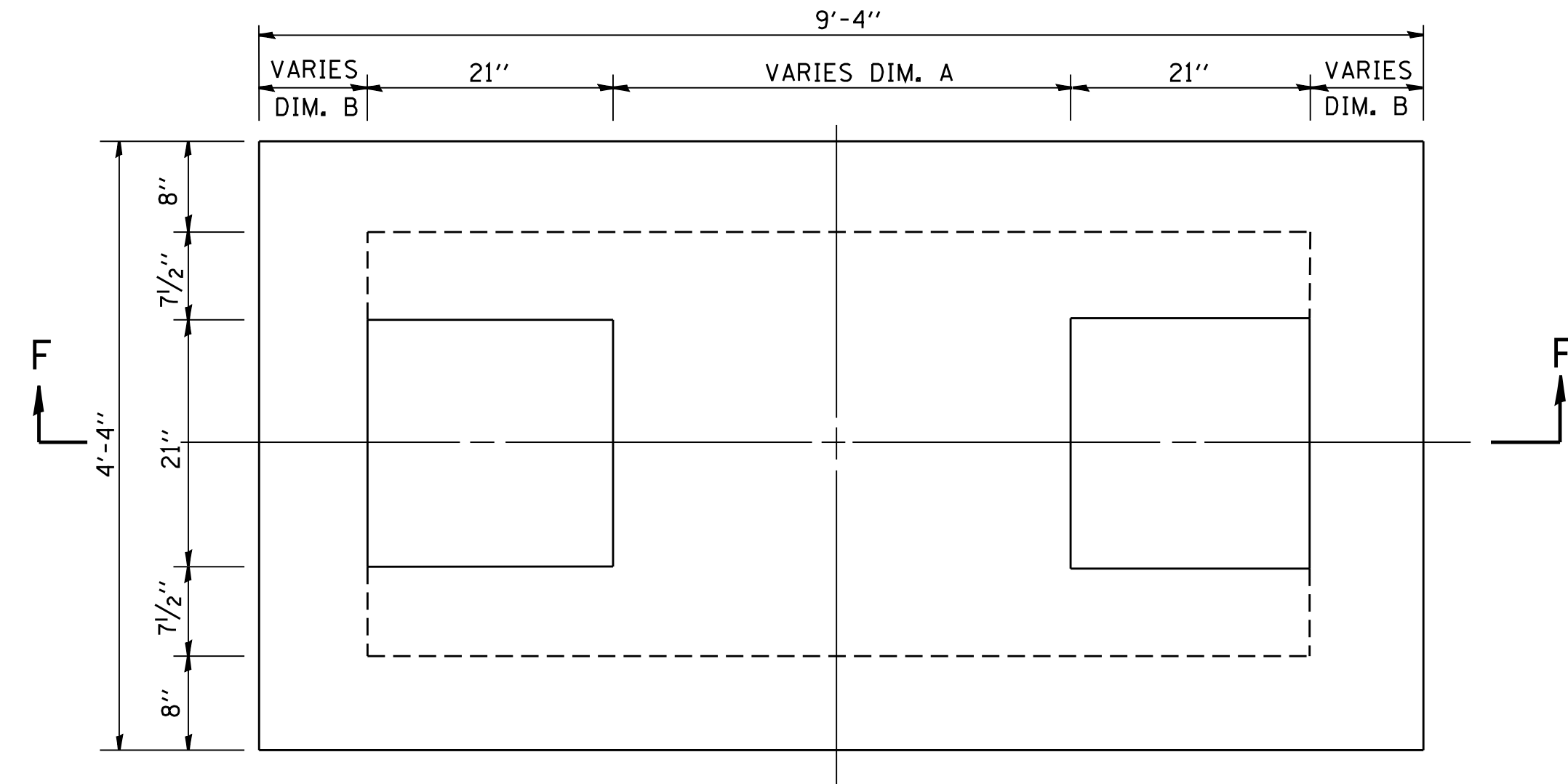
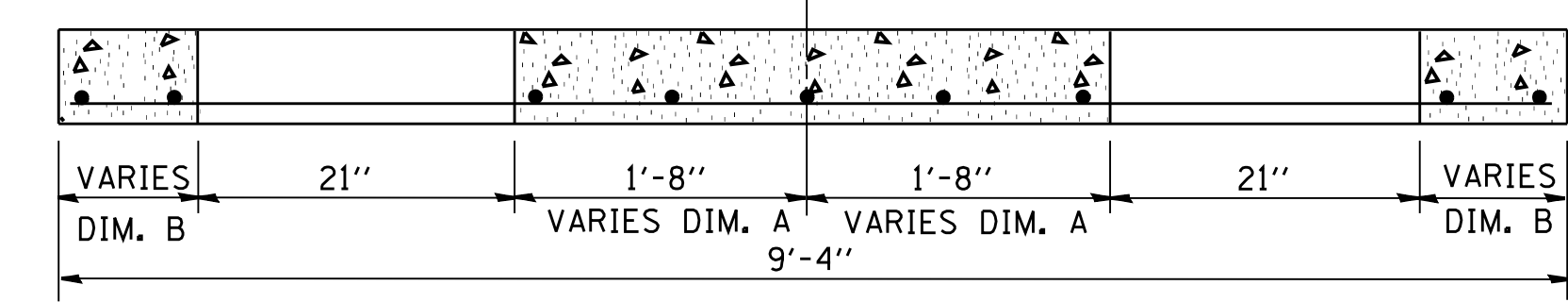


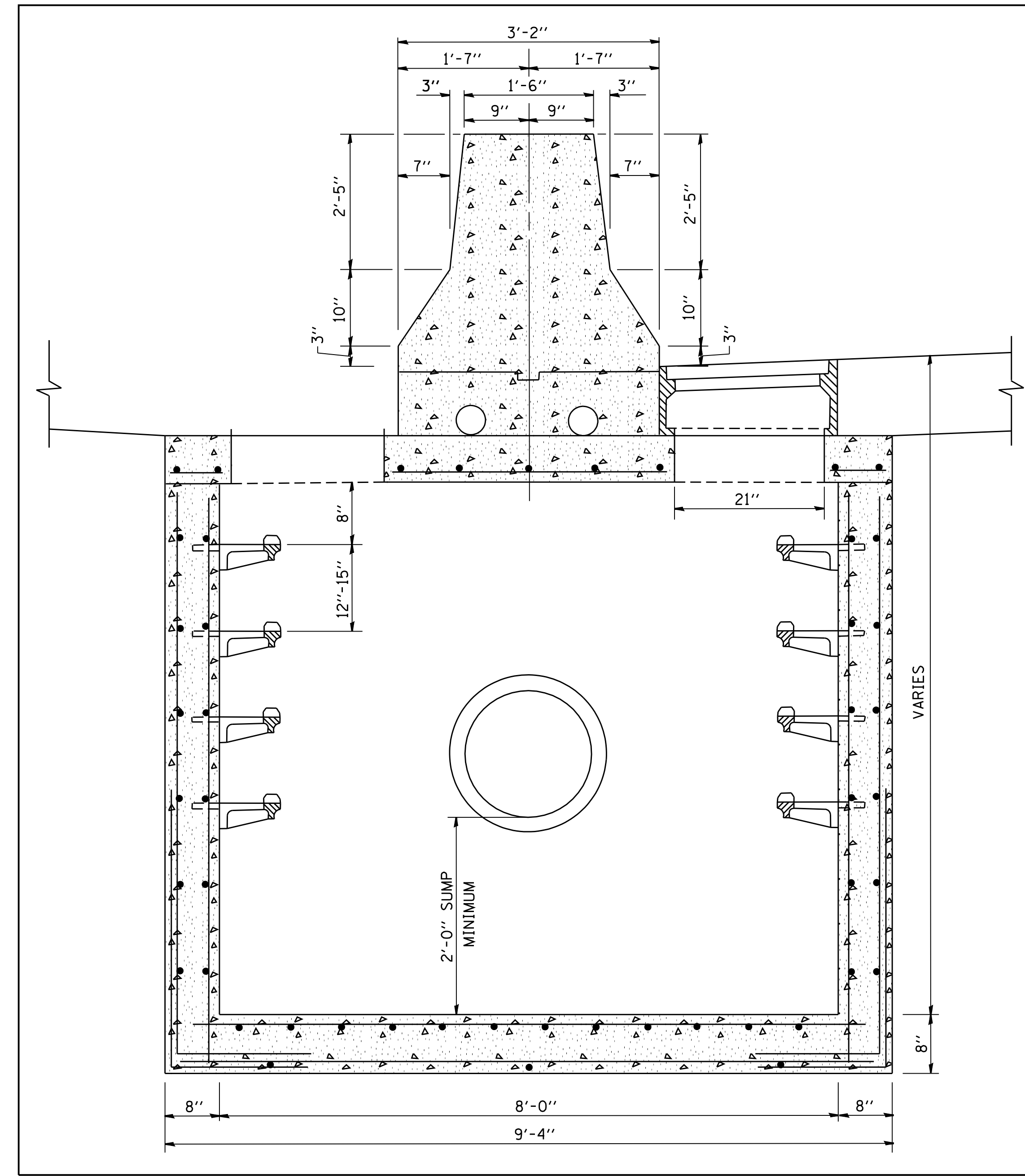
PLAN



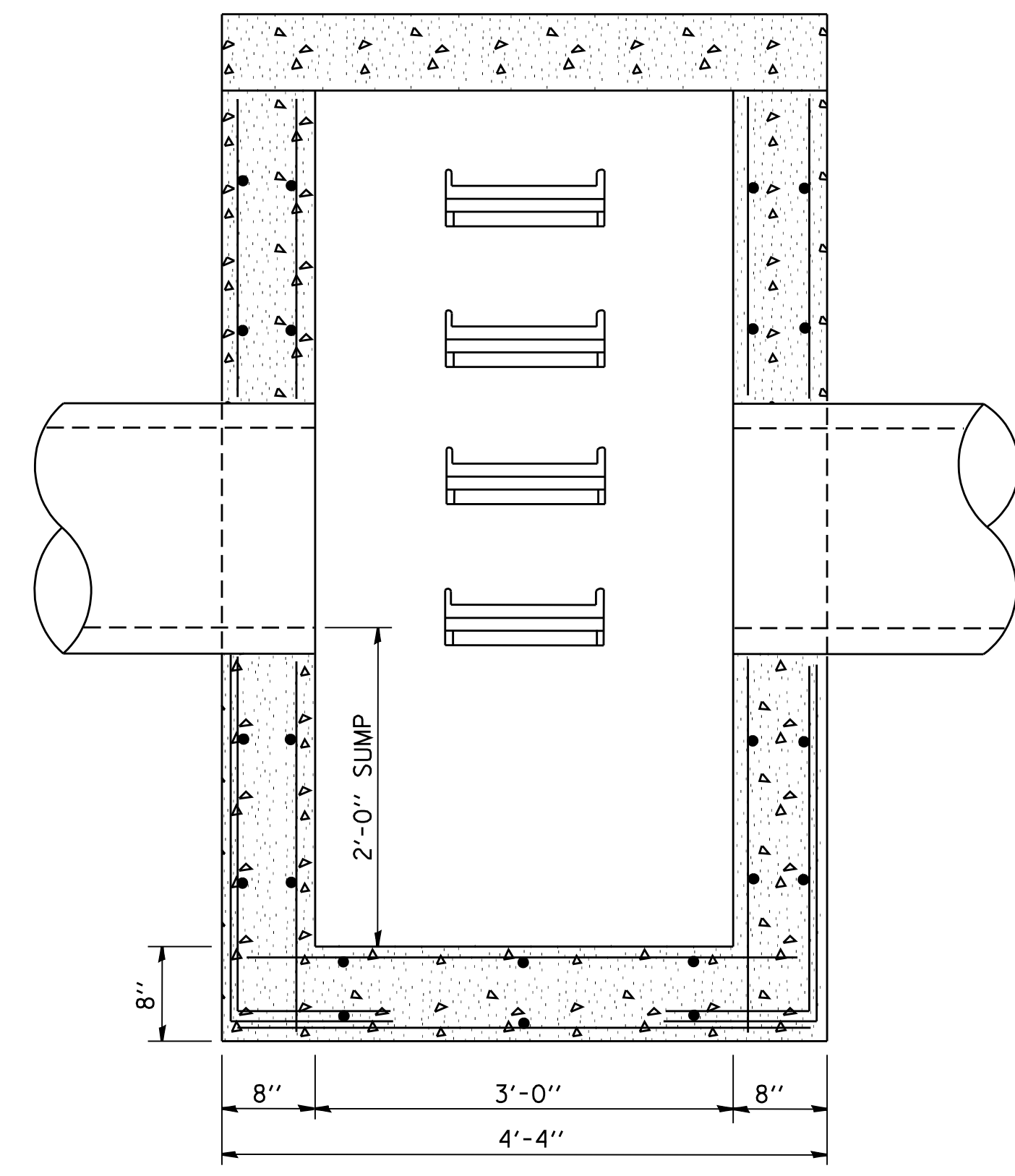
PRE-CAST SLAB PLAN



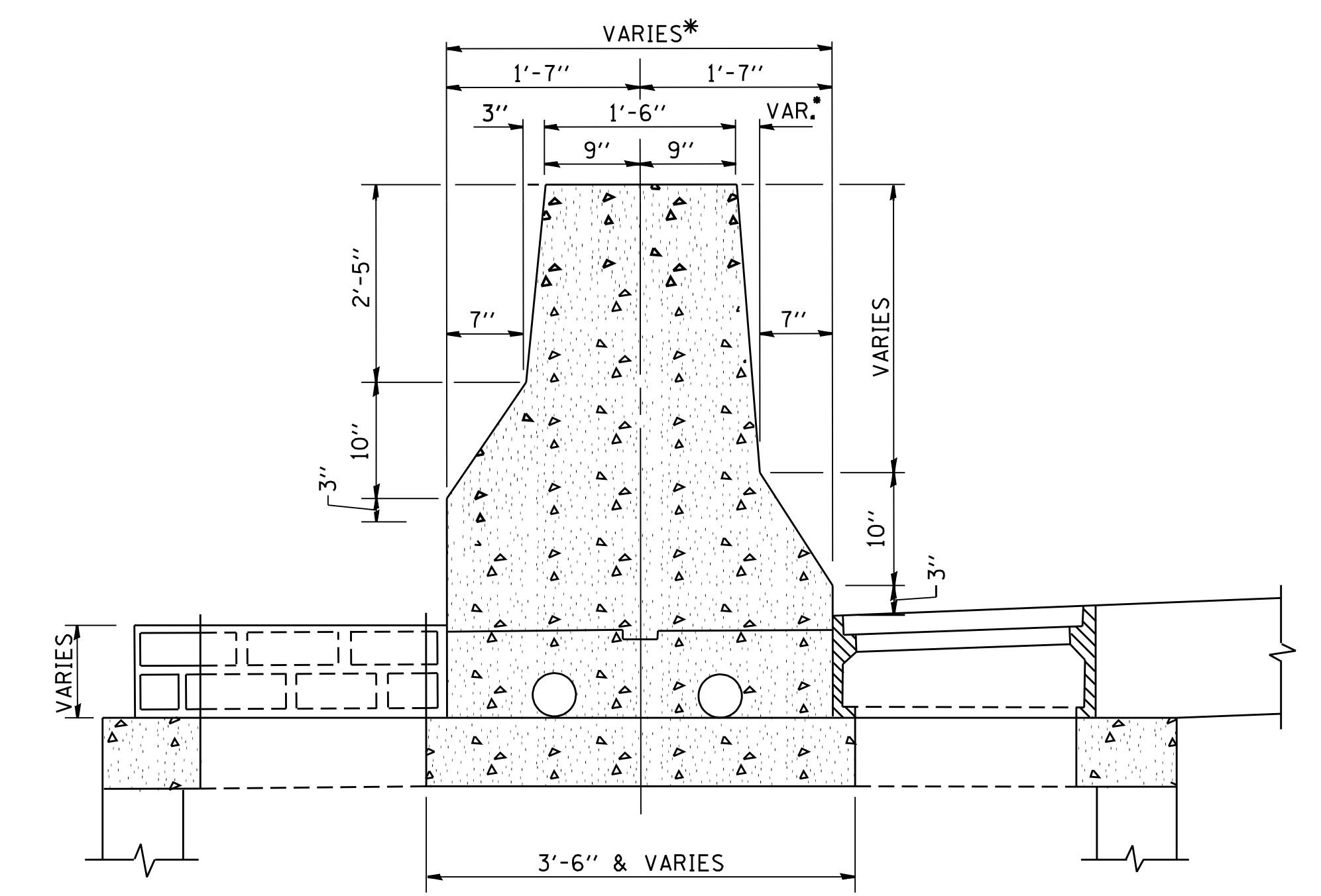
SECTION F-F



SECTION D-D



SECTION E-E



TOP SECTION D-D  
DIFFERENT PGL (GRATE EL.)

FILE NAME = W:\diststd\22x34\bd30.dgn

USER NAME = gaglionobt  
 DESIGNED -  
 DRAWN -  
 PLOT SCALE = 50.0000' / IN.  
 CHECKED -  
 PLOT DATE = 1/4/2008

REVISIONS  
 REVISED -  
 REVISED -  
 REVISED -  
 REVISED -  
 DATE - 10-18-02

STATE OF ILLINOIS  
 DEPARTMENT OF TRANSPORTATION

DRAINAGE STRUCTURE TYPE 4

SCALE: NONE SHEET NO. 1 OF 1 SHEETS STA. TO STA.

F.A. RTE.	SECTION	COUNTY	TOTAL SHEETS	SHEET NO.
BD600-09	(BD-30)			
FED. ROAD DIST. NO. 1 ILLINOIS FED. AID PROJECT				