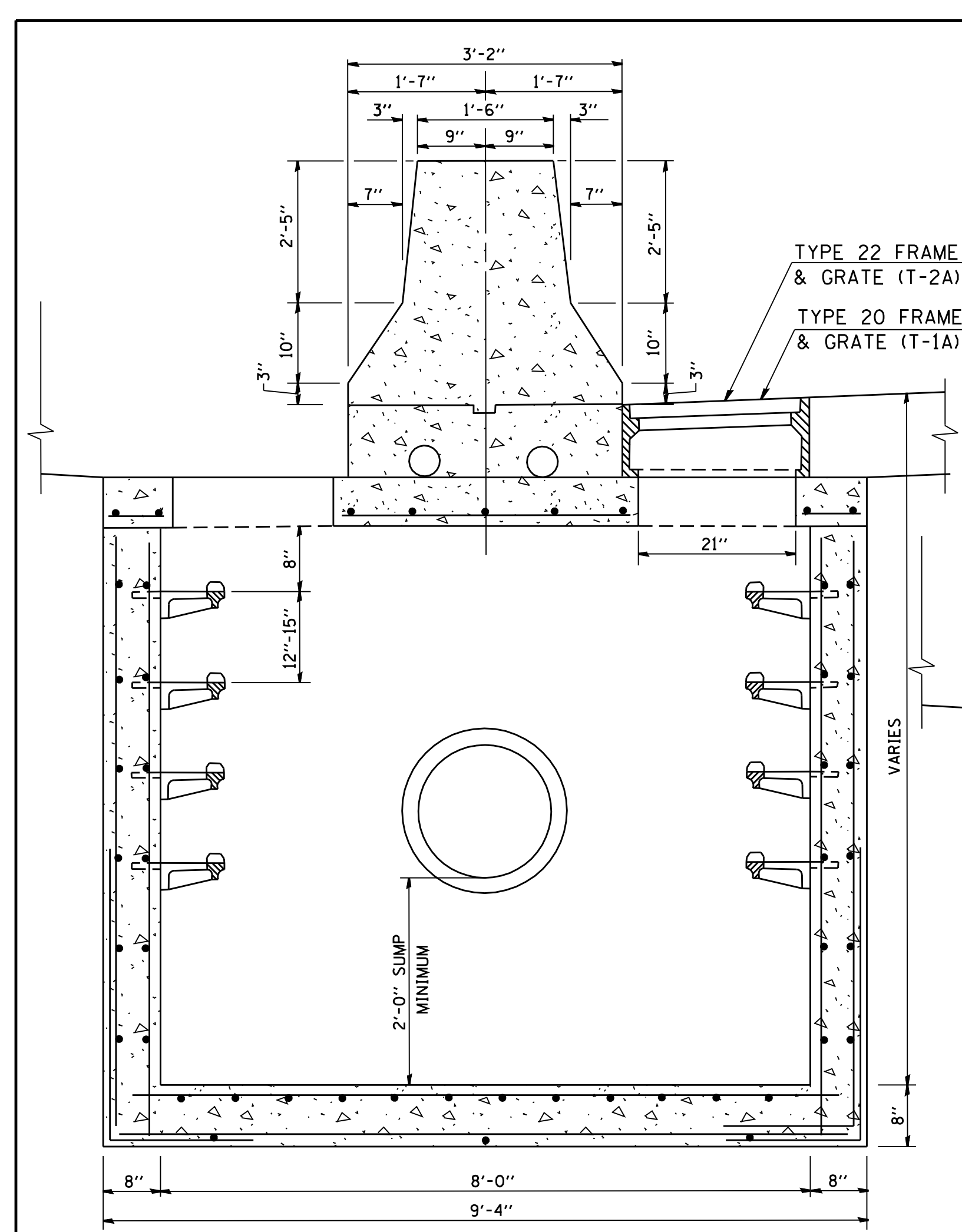
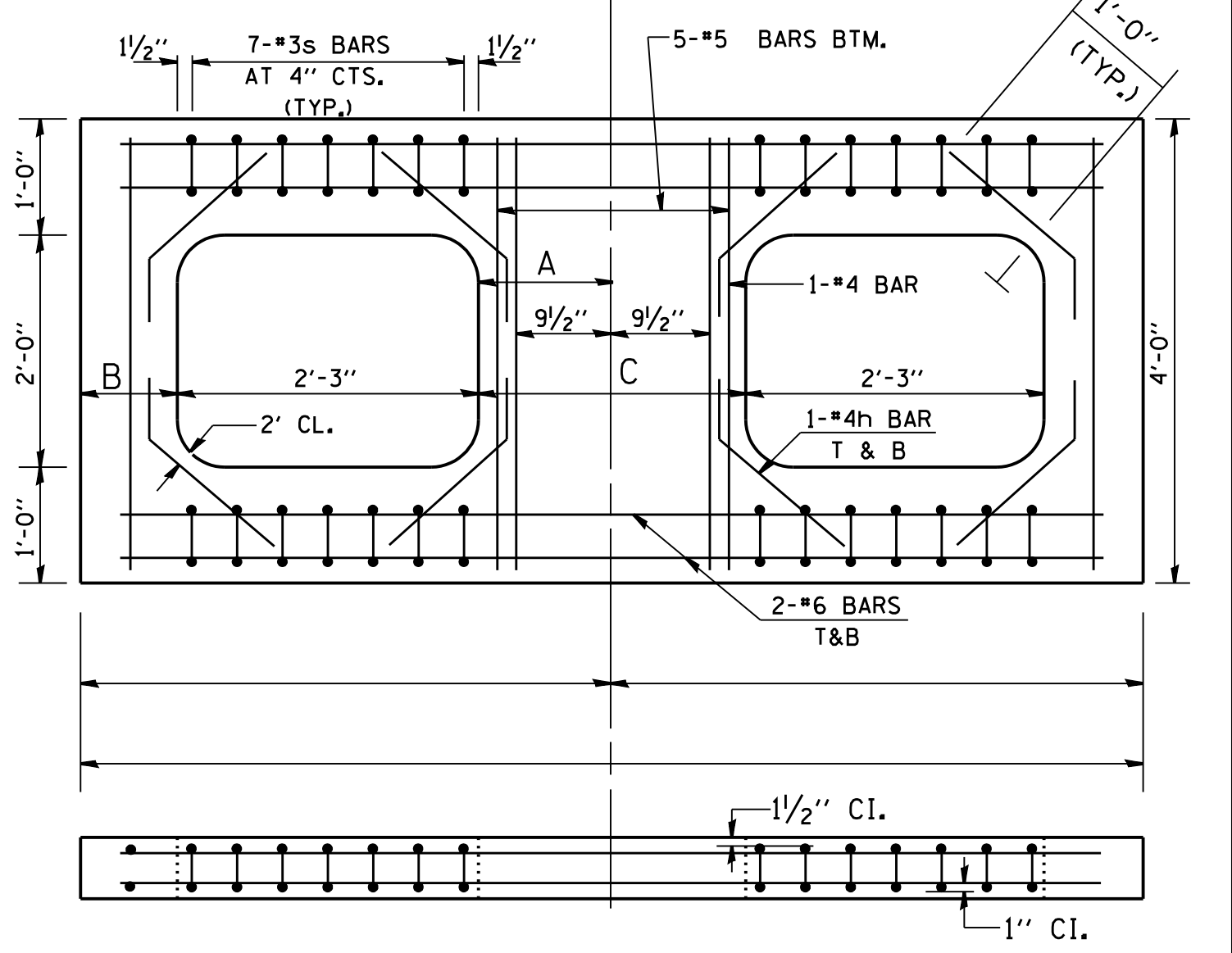
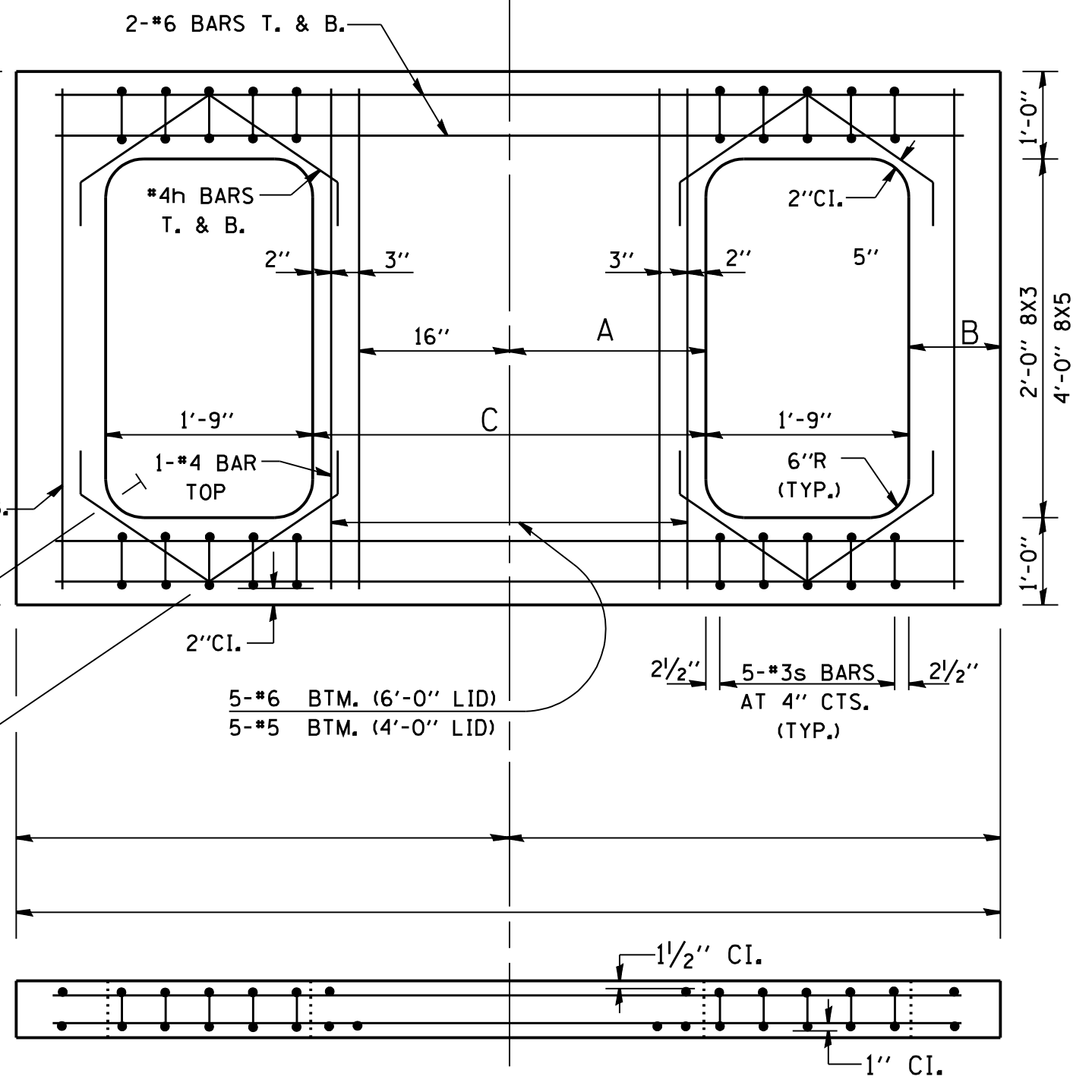
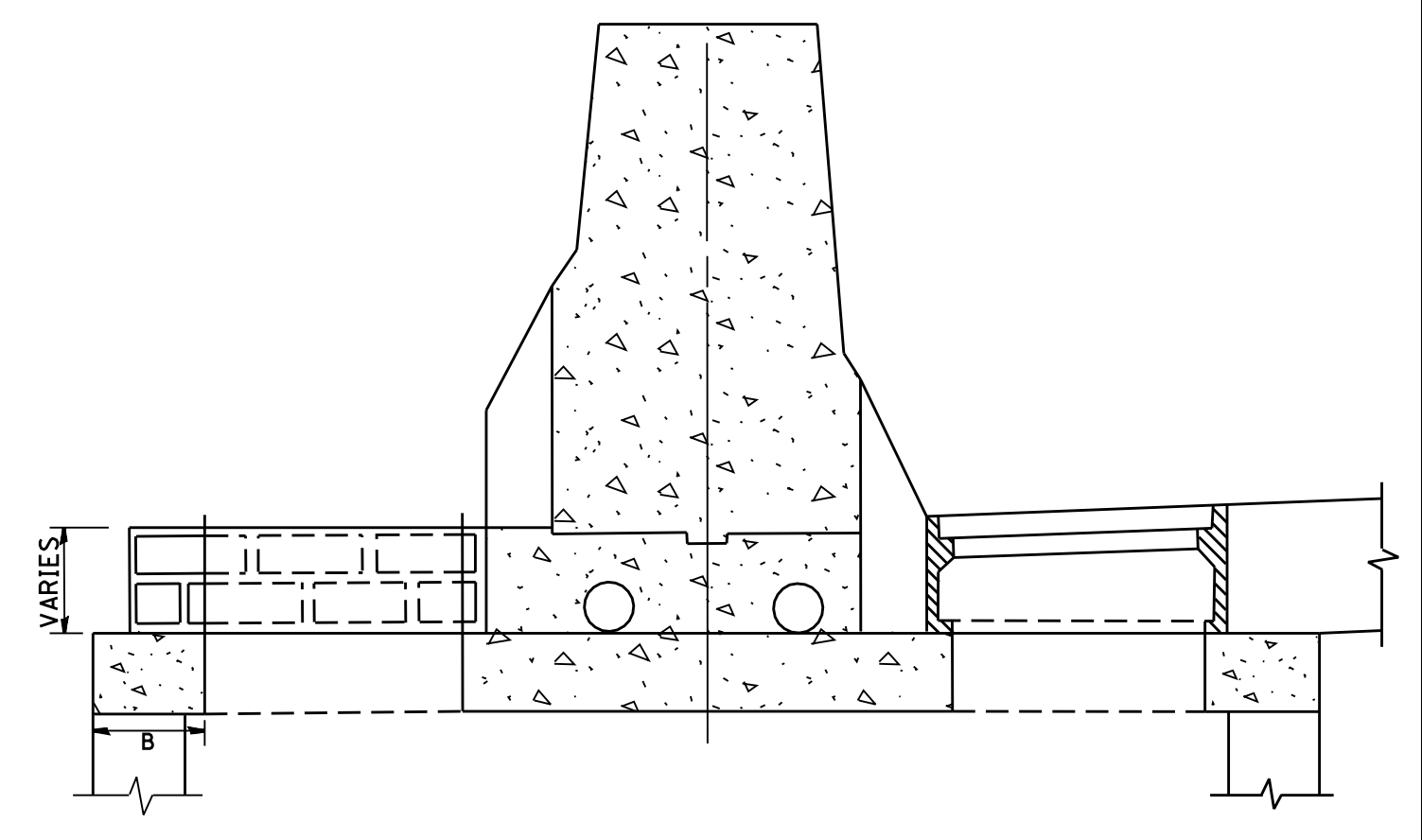
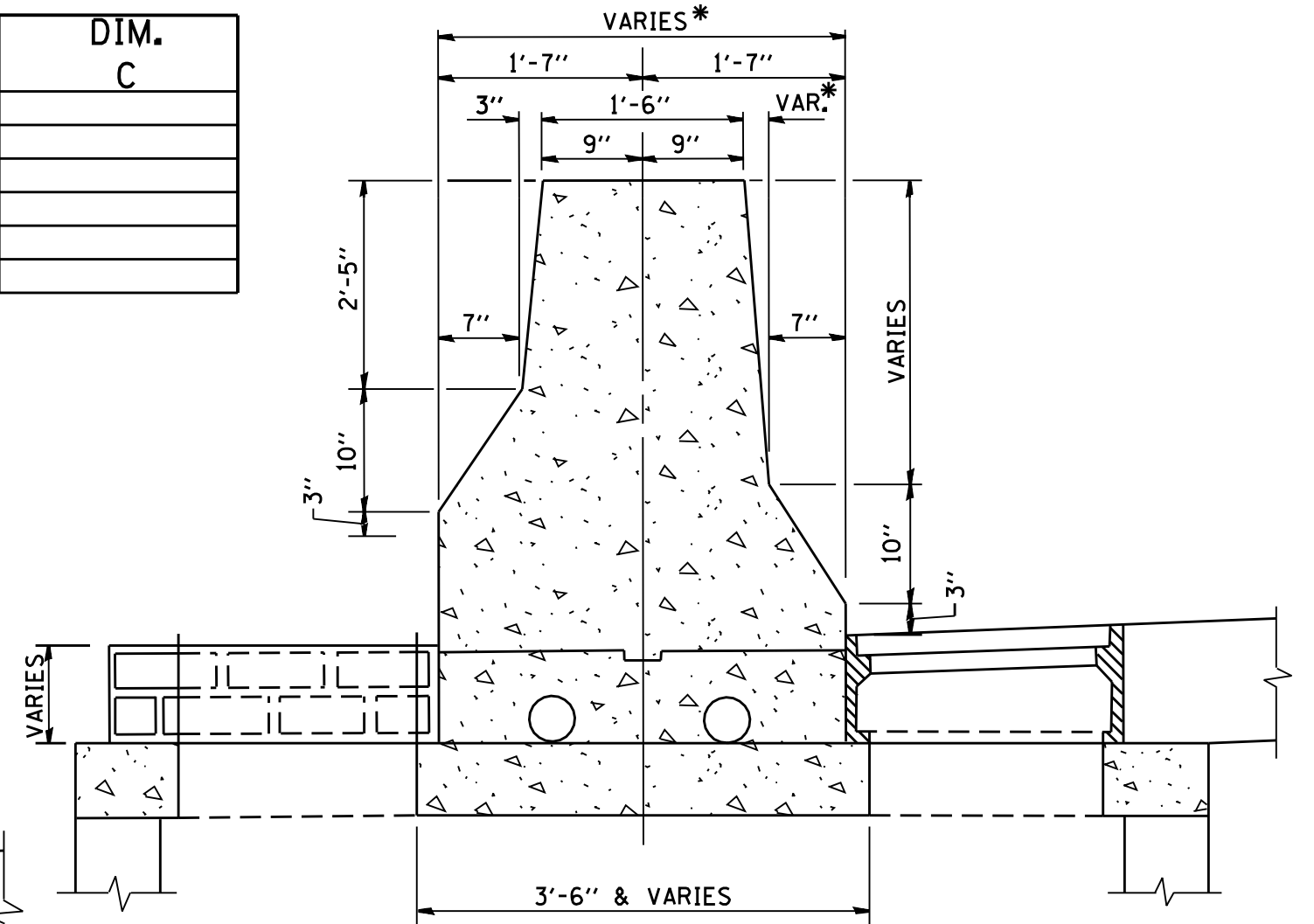
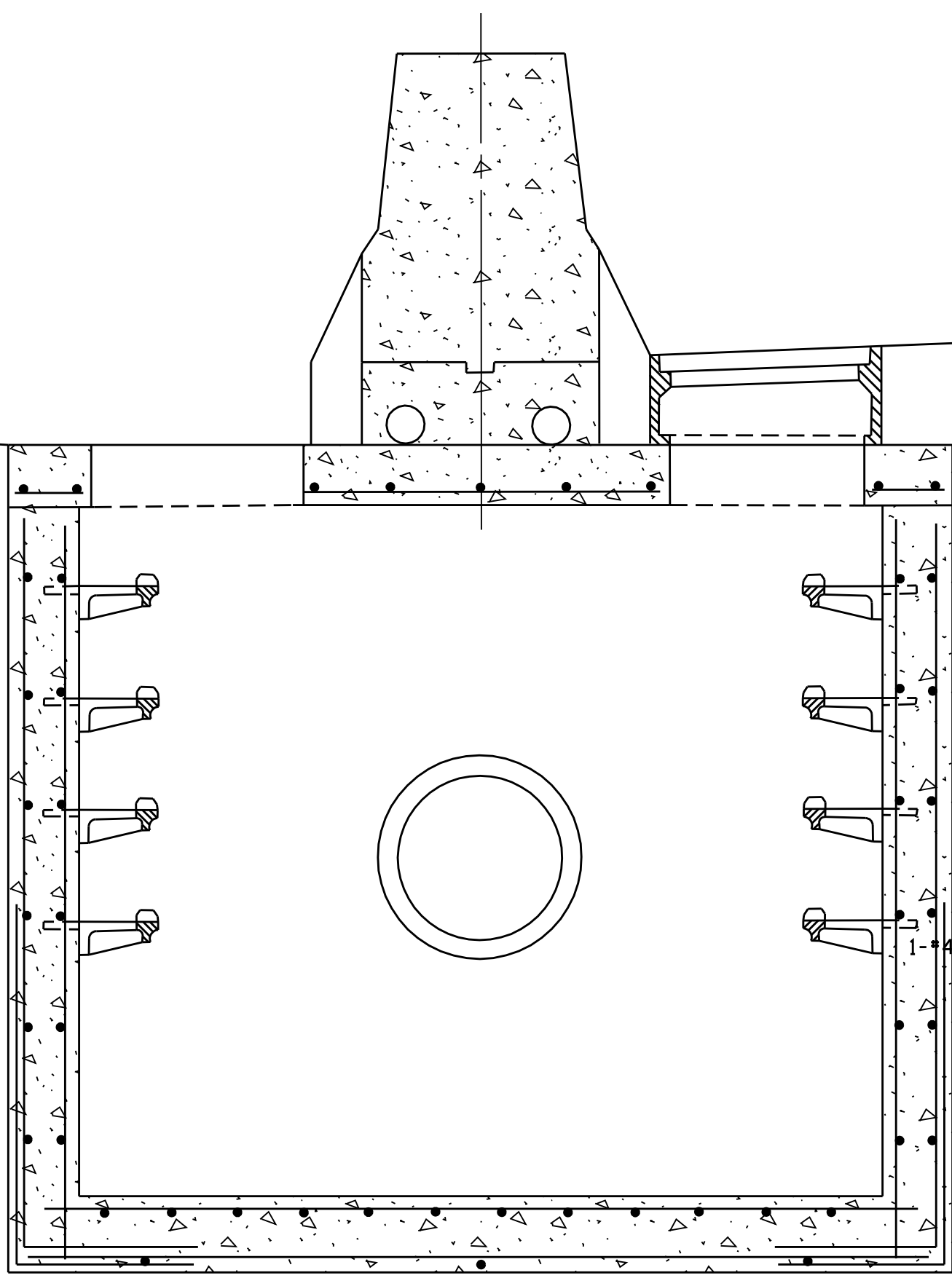


A PGL (FT)	DIM. A	DIM. B	DIM. C
1	1'-10 1/4"	1'-4 3/4"	
2	1'-11 1/2"	1'-3 1/2"	
3	2'-0 3/4"	1'-2 1/4"	
4	2'-2"	1'-1"	
5	2'-3 1/4"	0'-11 3/4"	
6	2'-4 1/2"	0'-10 1/2"	

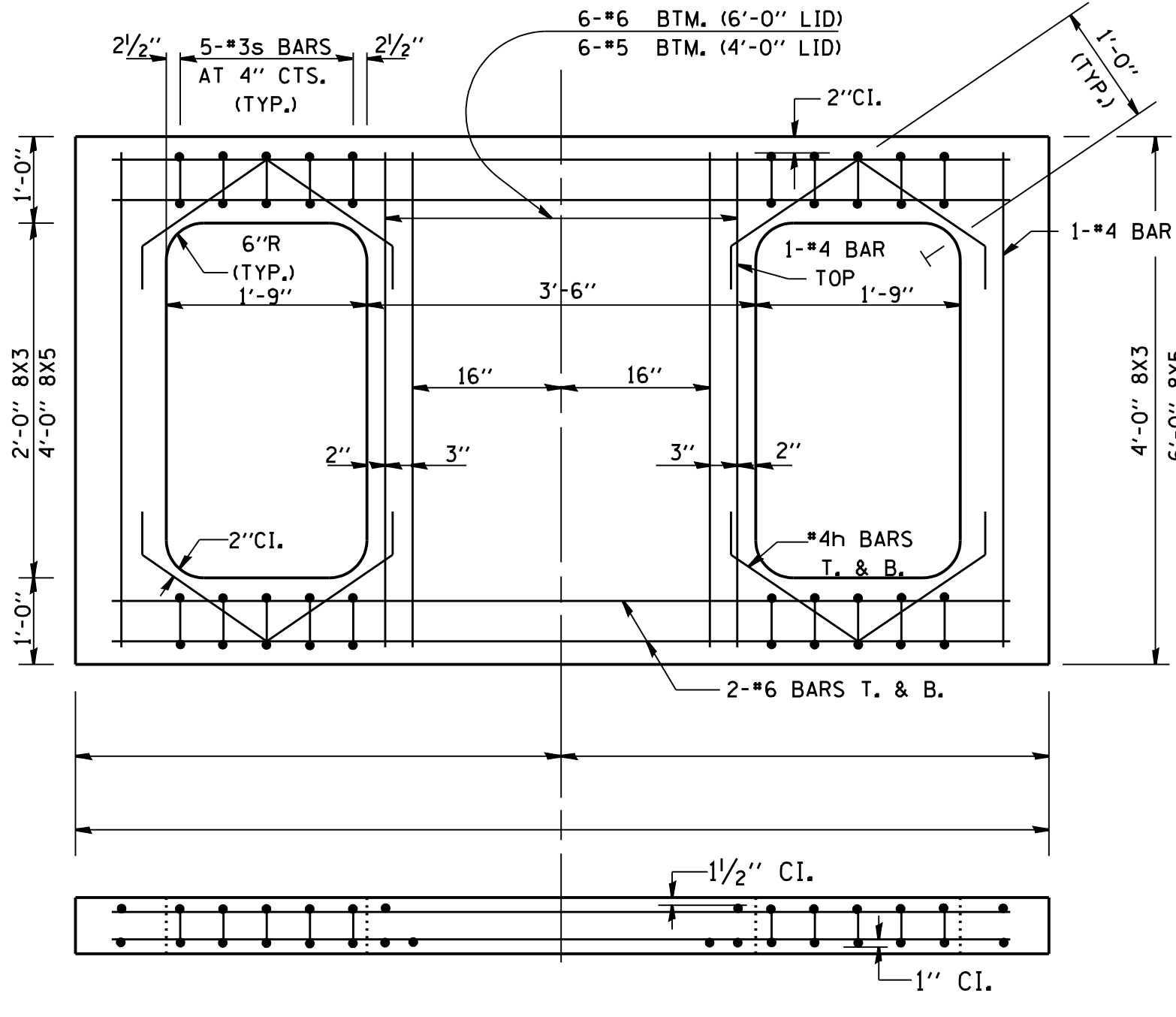
CATCH BASIN 8X3



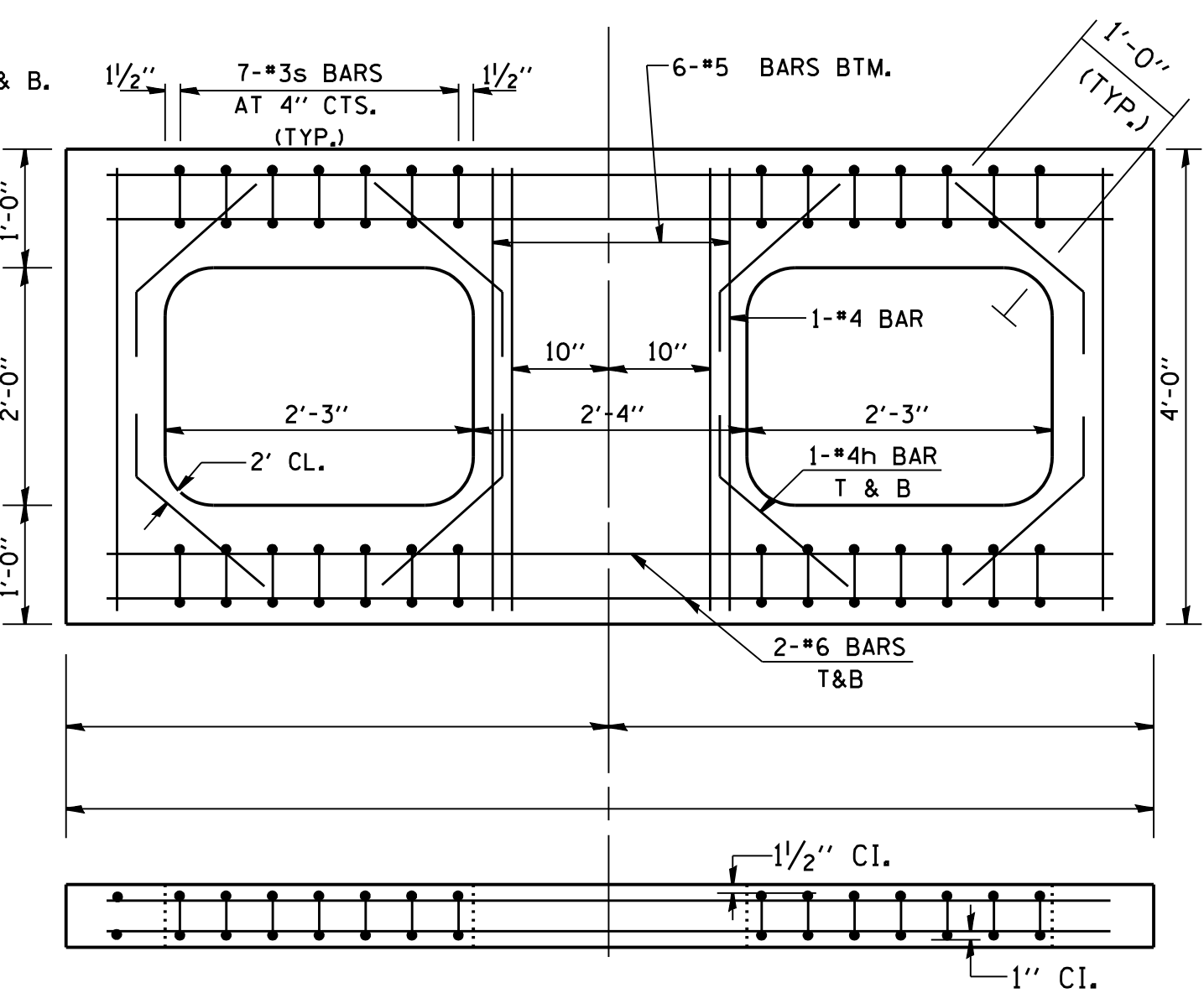
CATCH BASIN 8X5 AND 8X3



A PGL (FT)	DIM. A	DIM. B	DIM. C
1	1'-3 3/4"	1'-4 3/4"	
2	1'-4 1/2"	1'-3 1/2"	
3	2'-5 3/4"	1'-2 1/2"	
4	7'-2"	1'-1"	
5	2'-8 1/4"	0'-11 3/4"	
6	2'-9 1/2"	0'-10 1/2"	



REINFORCED LID FOR TYPE 20 & 22 FRAME & GRATE



REINFORCED LID FOR TYPE 21 FRAME & GRATE

NOTE: DRAINAGE STRUCTURES SHALL CONFORM TO I.D.O.T. STANDARD 2364 EXCEPT AS NOTED IN THIS DETAIL.

STA. AND OFFSET	TYPE OF LID	A PGL	DIM. A	DIM. B	DIM. C	STA. AND OFFSET	TYPE OF LID	A PGL	DIM. A	DIM. B	DIM. C

FILE NAME = W:\diststd\22x34\bd31.dgn

USER NAME = gaglionobt
 PLOT SCALE = 50.0000 1' / IN.
 PLOT DATE = 1/4/2008

DESIGNED -
 DRAWN -
 CHECKED -
 DATE - 10-18-02

REVISED -
 REVISED -
 REVISED -
 REVISED -

STATE OF ILLINOIS
 DEPARTMENT OF TRANSPORTATION

DRAINAGE STRUCTURES TYPE 1A, 2A, AND 3A
 TYPE 1A (SPECIAL), 2A (SPECIAL) AND 3A (SPECIAL)
 SCALE: NONE SHEET NO. 1 OF 1 SHEETS STA. TO STA.

F.A. RTE. SECTION COUNTY TOTAL SHEETS SHEET NO.
 BD600-10 (BD-31) CONTRACT NO.
 FED. ROAD DIST. NO. 1 ILLINOIS FED. AID PROJECT