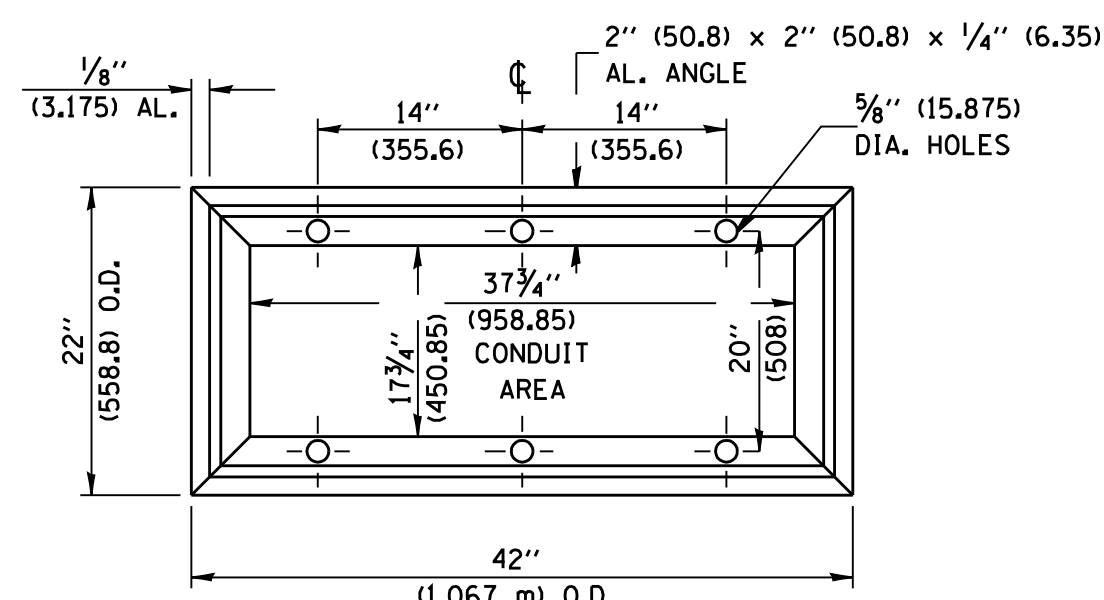
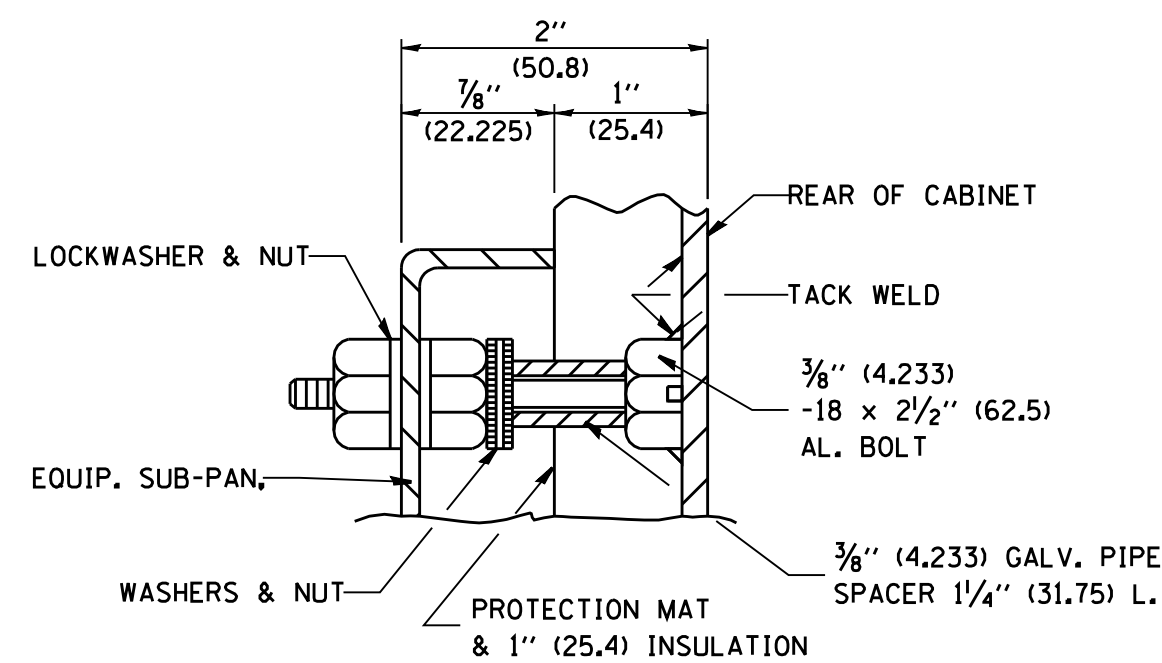


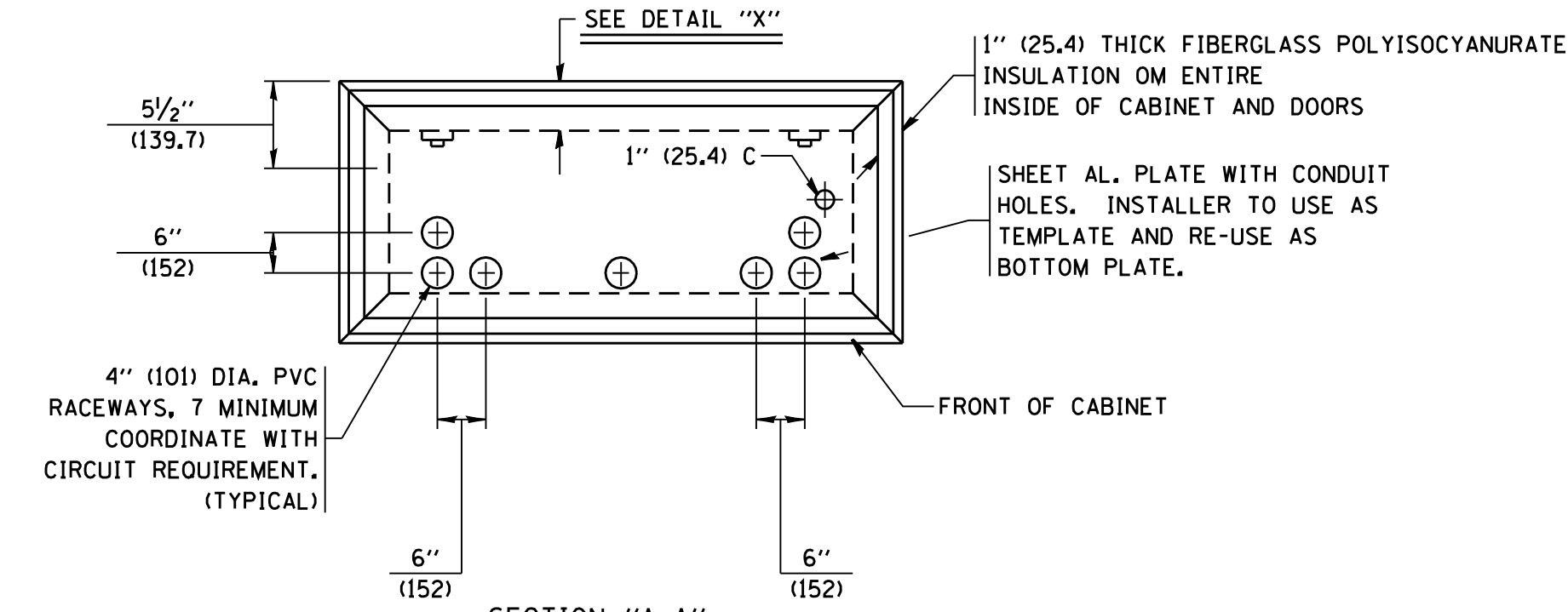
DETAIL "Y"



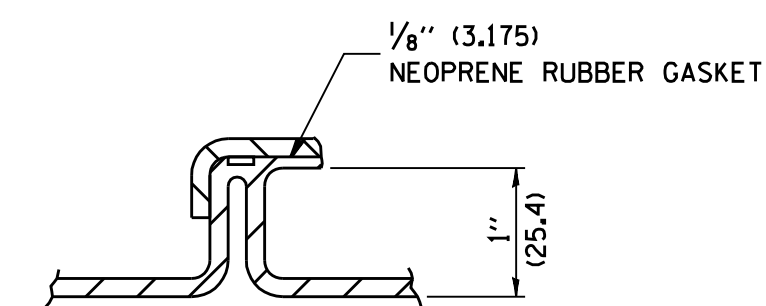
BASE MTG. DETAIL



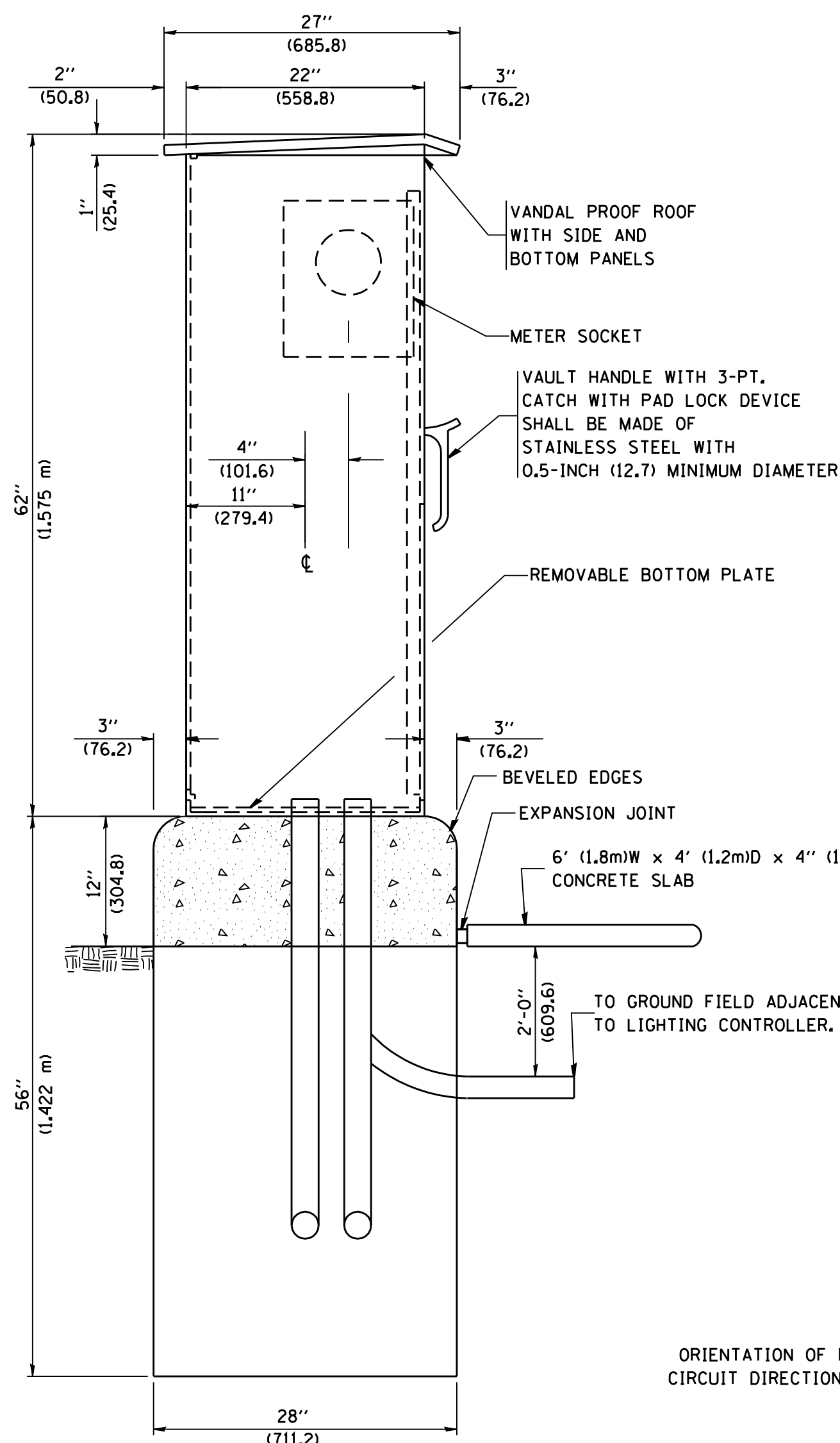
DETAIL "X"



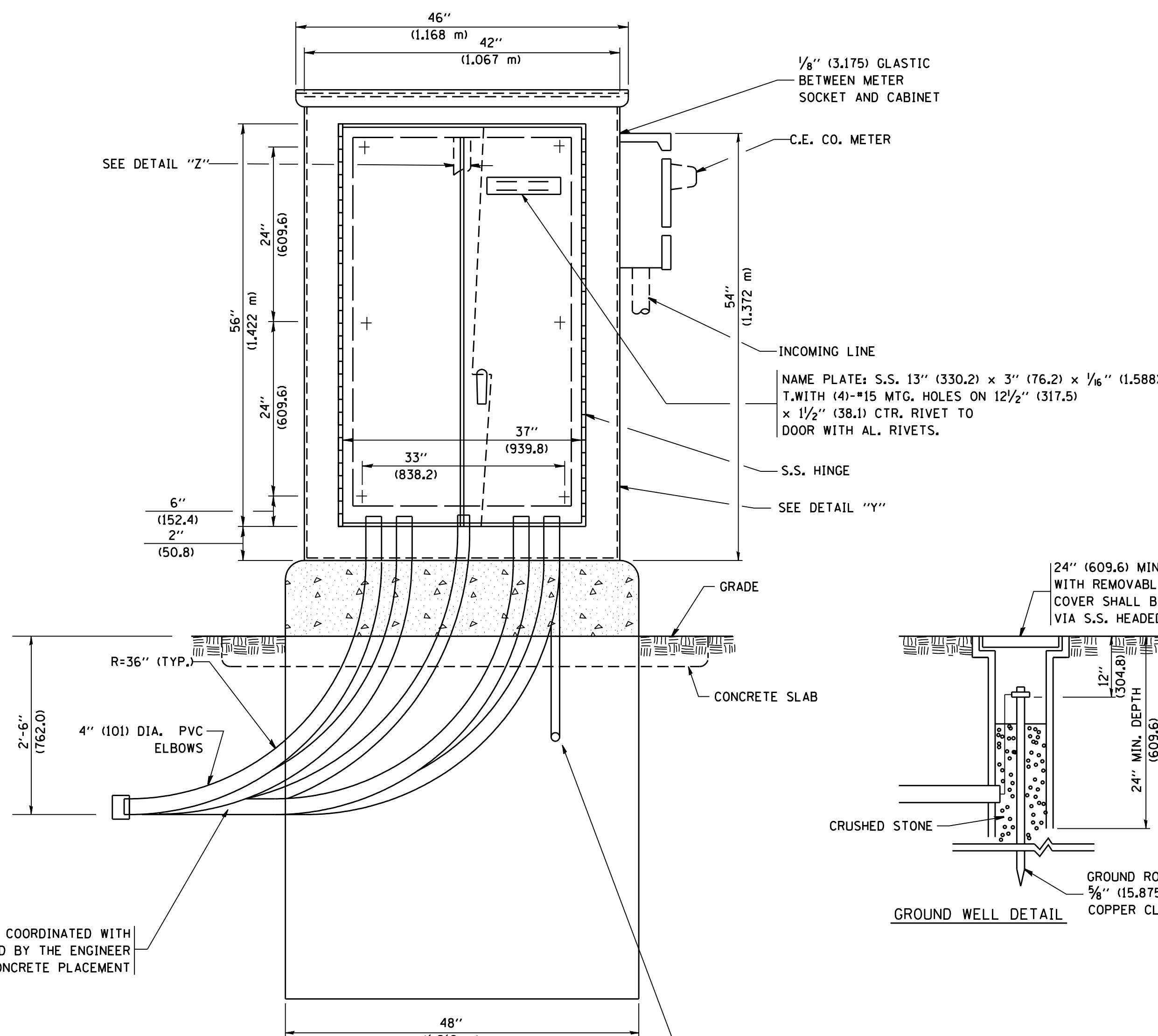
SECTION "A-A"



DETAIL "Z"

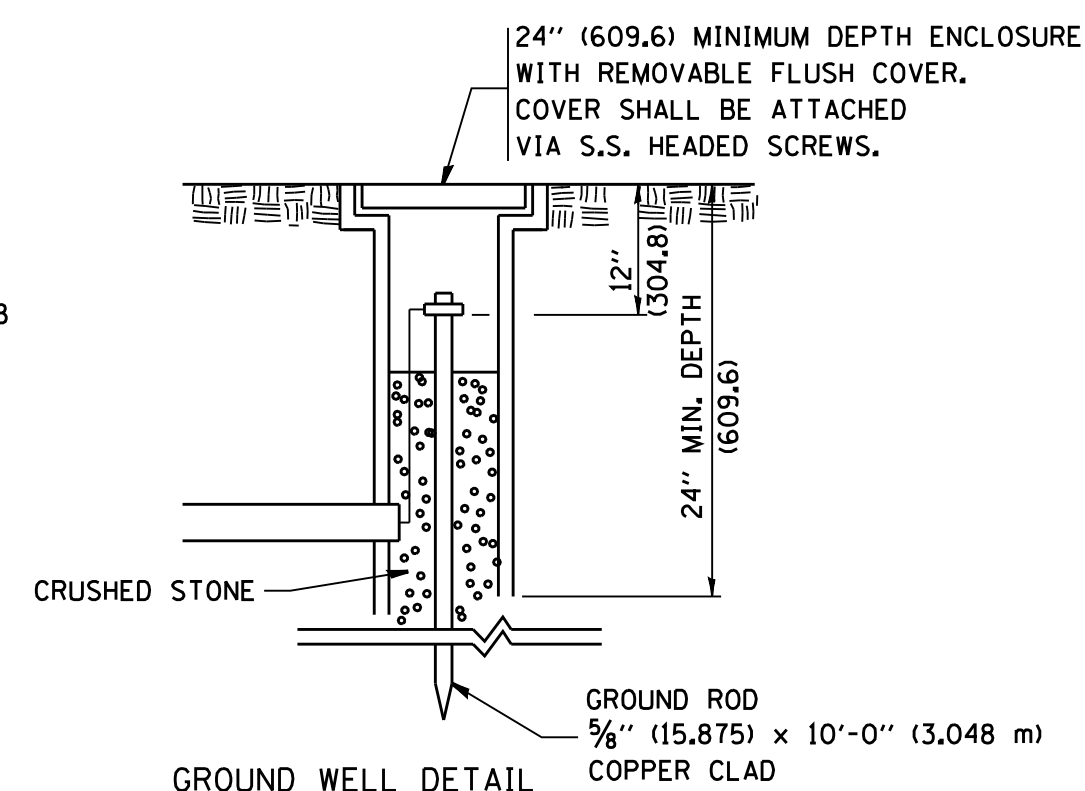


LEFT SIDE ELEVATION

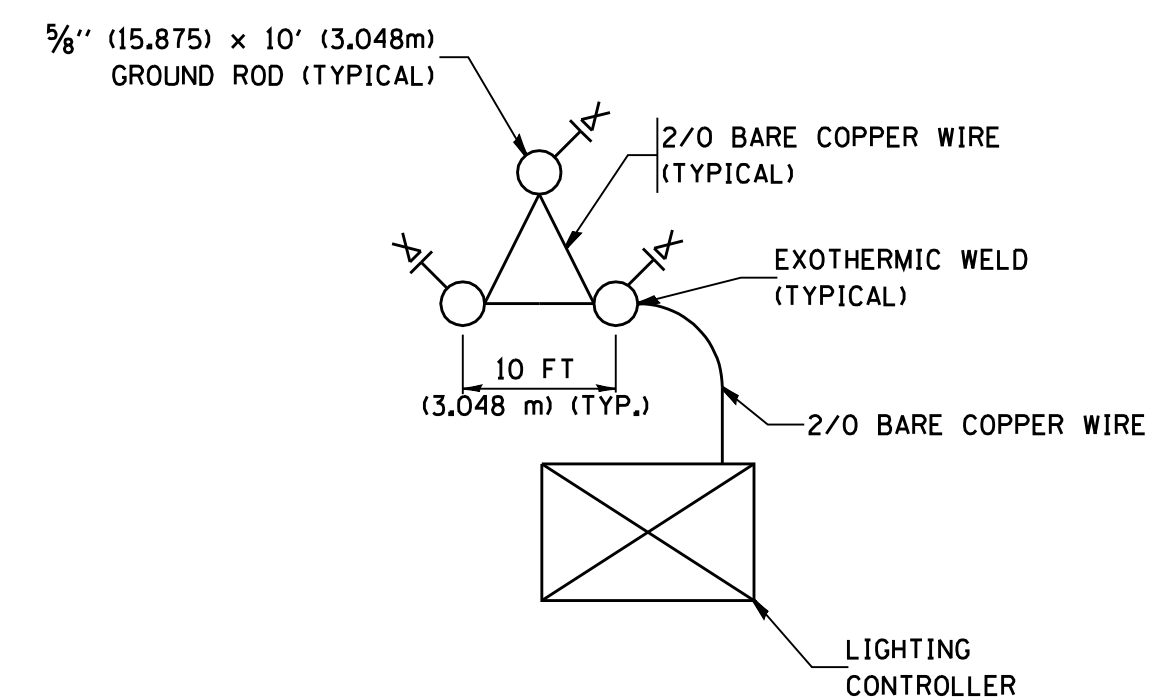


FRONT ELEVATION

1-INCH (25.4) PVC TO GROUND FIELD OF 3 GROUND RODS IN A 10 FT (3.048 m). TRIANGLE CONNECTED VIA BARE COPPER WIRE. VERIFY EXACT LOCATION OF GROUND FIELD WITH THE ENGINEER. NO GROUND WELL SHALL BE PLACED IN CONCRETE PAD IN FRONT OF CONTROLLER.



GROUND WELL DETAIL



GROUND FIELD DETAIL (N.T.S.)

THE CONTRACTOR SHALL VERIFY EXACT LOCATION WITH THE ENGINEER

ORIENTATION OF RACEWAYS SHALL BE COORDINATED WITH CIRCUIT DIRECTIONS AND BE INSPECTED BY THE ENGINEER PRIOR TO CONCRETE PLACEMENT

FILE NAME = W:\diststd\22x34\be207.dgn

USER NAME = gaglionobt

PLOT SCALE = 50.000' / IN.

PLOT DATE = 1/4/2008

DESIGNED -

DRAWN -

CHECKED -

DATE -

REVISED - R. TOMSONS 04-13-05

REVISED -

REVISED -

REVISED -

STATE OF ILLINOIS
DEPARTMENT OF TRANSPORTATION

LIGHTING CONTROLLER
RADIO CONTROL DUPLEX TYPE WITH SCADA AND CCTV POWER

SCALE: NONE SHEET NO. 3 OF 4 SHEETS STA. TO STA.

F.A. RTE.	SECTION	COUNTY	TOTAL SHEETS	SHEET NO.
	BE-207			
FED. ROAD DIST. NO. 1 ILLINOIS		CONTRACT NO.		
FED. AID PROJECT				