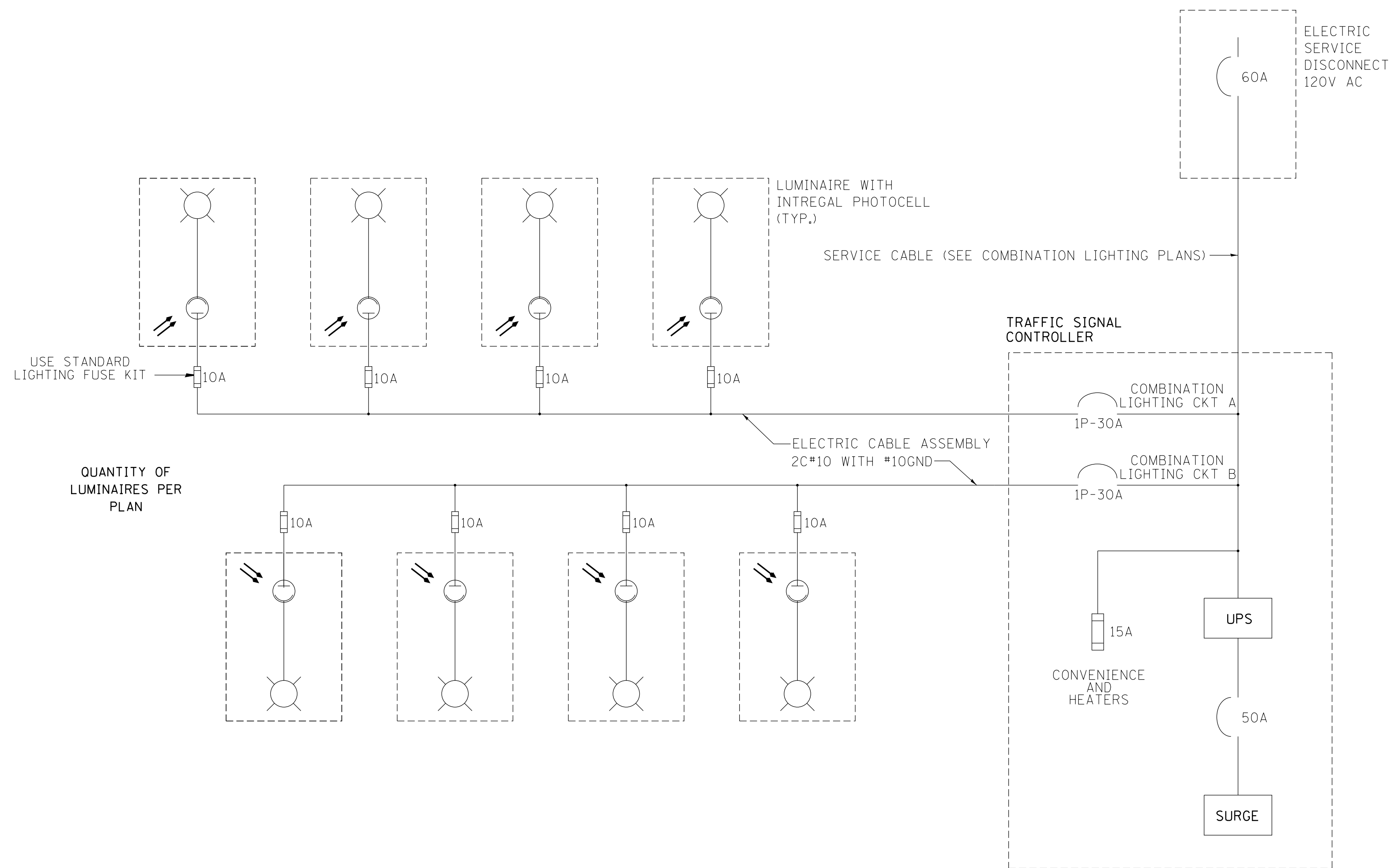


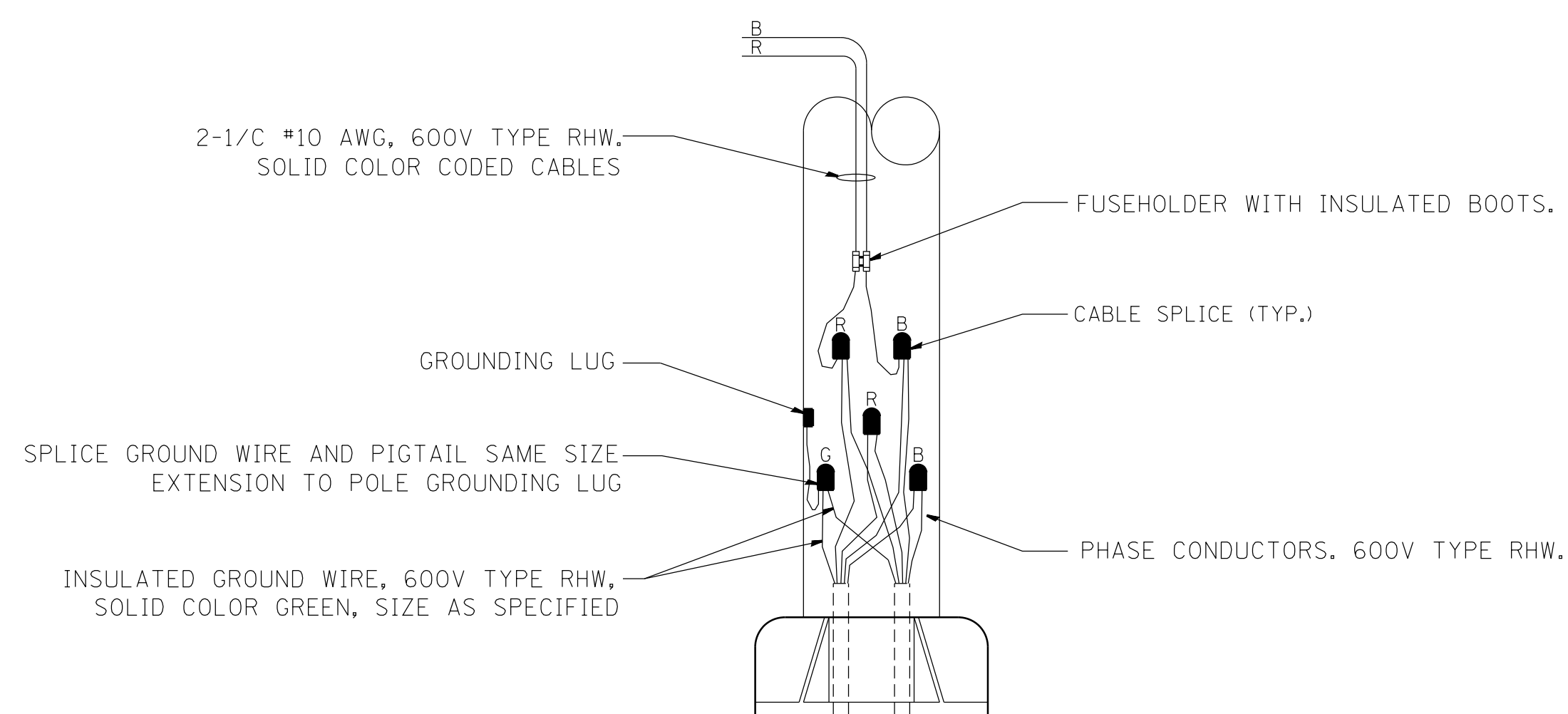
TYPICAL LIGHTING LAYOUT
(NOT TO SCALE)



QUANTITY OF LUMINAIRES PER PLAN

NOTES:

- 1.- 4 LUMINAIRES PER CIRCUIT, MAXIMUM.
- 2.- EACH LUMINAIRE IS PHOTOCELL CONTROLLED.
- 3.- MULTI-CONDUCTOR CABLE ASSEMBLY FOR LIGHTING CIRCUITS.
- 4.- ROUTE LIGHTING CIRCUITS IN TRAFFIC SIGNAL CONDUIT SYSTEM.
- 5.- ALL CONTROLLERS TO HAVE TWO LIGHTING BRANCH BREAKERS.
- 6.- ALL WIRING SHALL BE NEATLY DRESSED, IDENTIFIED BY TAGS, AND SUPPORTED.
- 7.- ALL SPLICES AND CONNECTIONS FOR ROADWAY LIGHTING SHALL BE AT POLE BASE ONLY. UNDERGROUND SPLICING OF LIGHTING CONDUCTORS IS NOT PERMITTED.



COMBINATION POLE WIRING DETAIL
(NOT TO SCALE)

FILE NAME =	USER NAME = bauerdl	DESIGNED - RT	REVISED -
et:\pw_work\p\dot\bauerdl\d0108315\be240.dgn		DRAWN -	REVISED -
Default	PLOT SCALE = NONE	CHECKED - RT	REVISED -
	PLOT DATE = 4/21/2014	DATE - 03/14/2014	REVISED -

STATE OF ILLINOIS
DEPARTMENT OF TRANSPORTATION

TRAFFIC SIGNAL LIGHTING SCHEMATIC
COMBINATION LIGHTING

SCALE: NTS SHEET 1 OF 1 SHEETS STA. TO STA.

F.A. RTE.	SECTION	COUNTY	TOTAL SHEETS	SHEET NO.
	BE-240			
ILLINOIS FED. AID PROJECT			CONTRACT NO.	