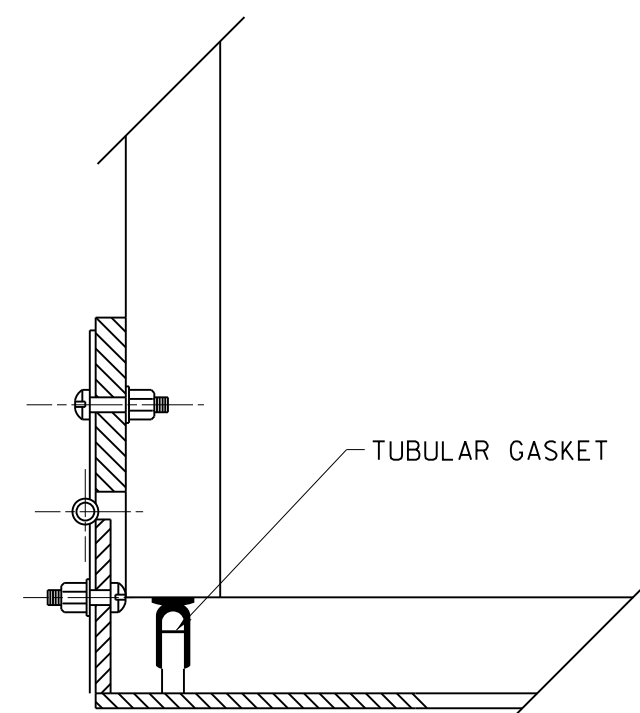
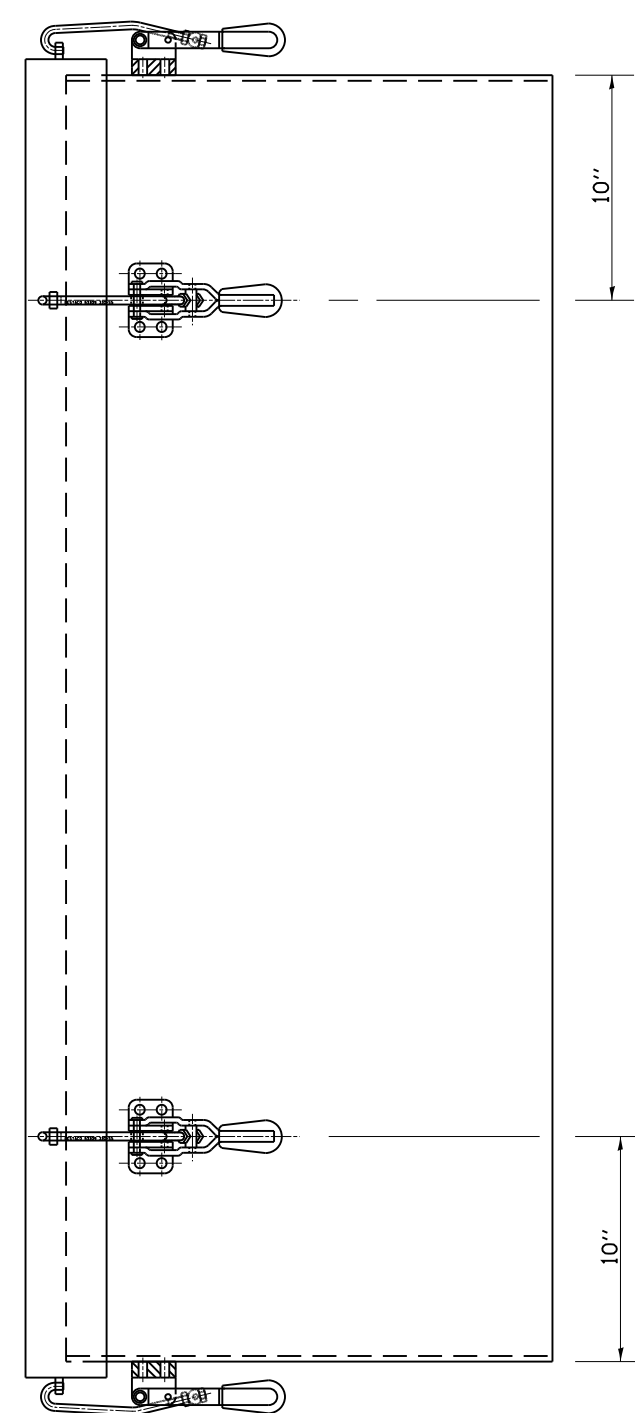


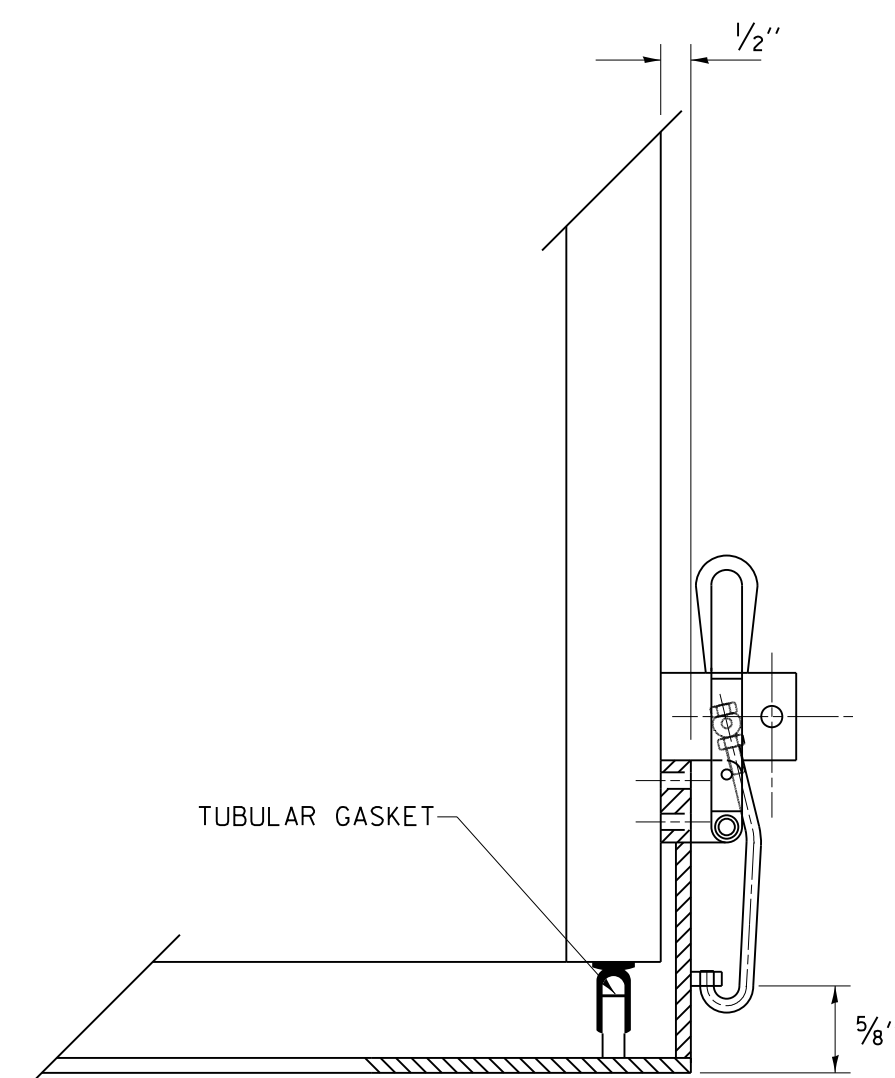
TOP VIEW



HINGE DETAIL

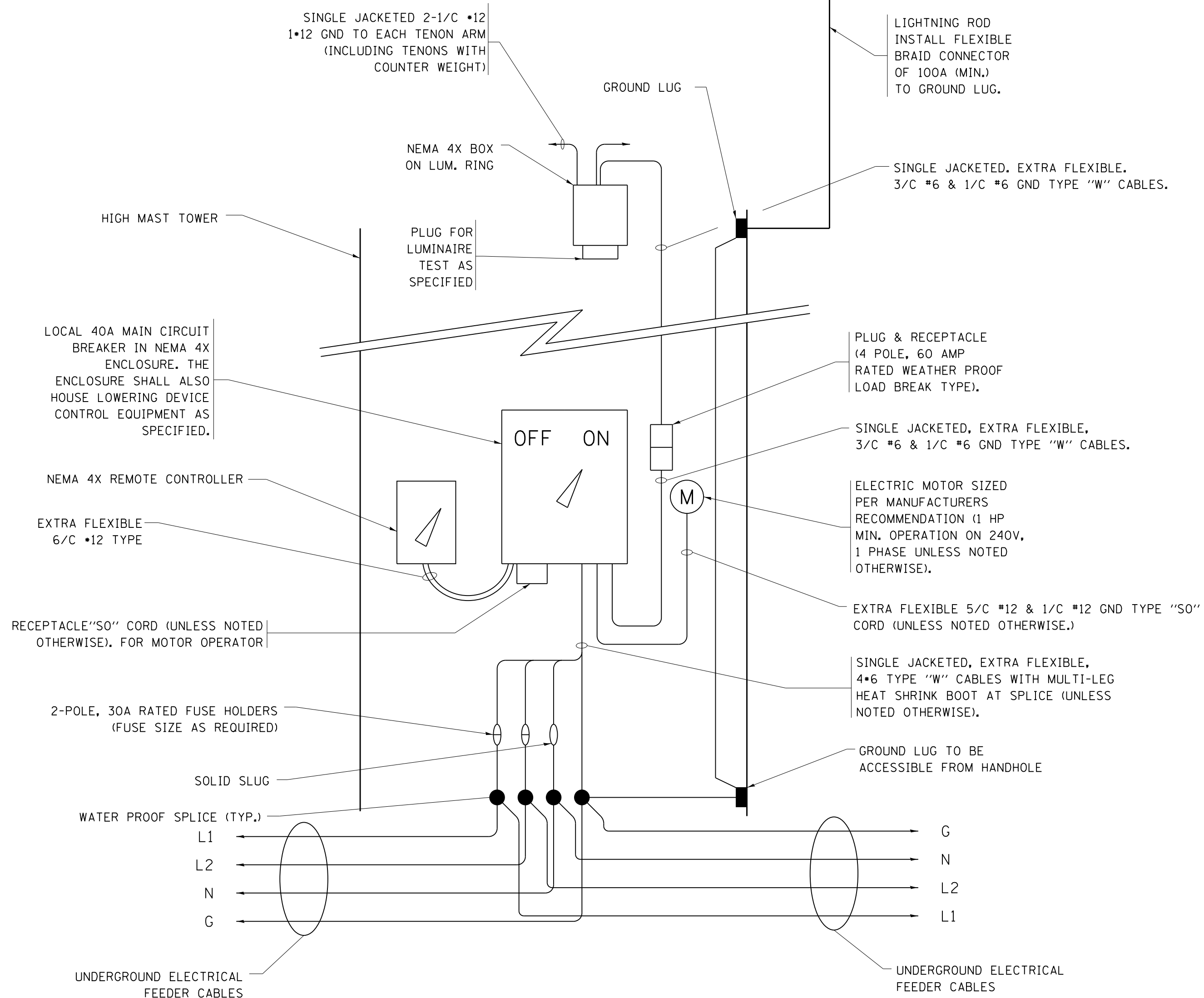


SIDE VIEW

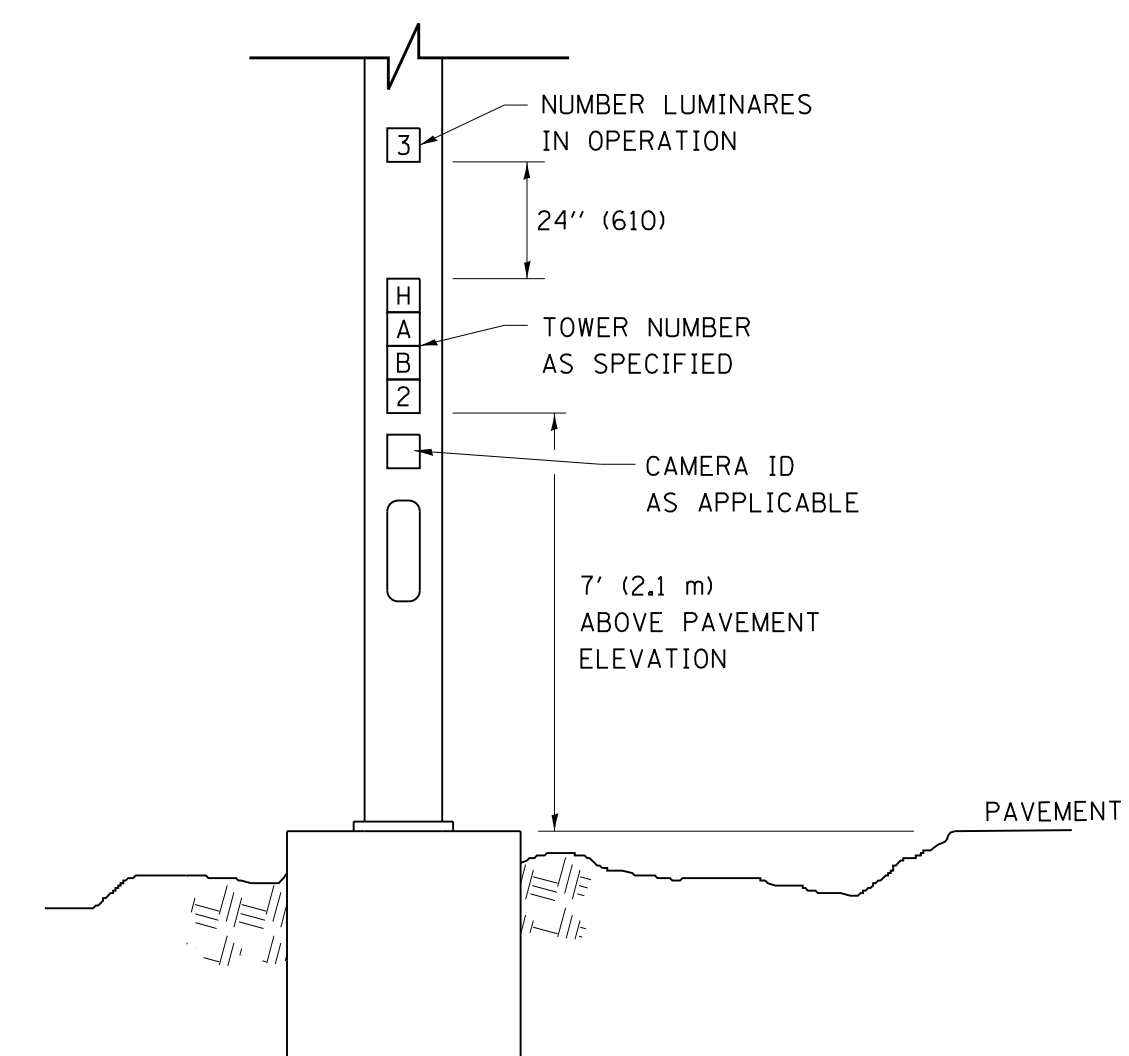


LATCH DETAIL

HANDHOLE DOOR DETAILS



HIGH MAST POLE WIRING DIAGRAM



LIGHT TOWER NUMBERING DETAIL

FILE NAME =	USER NAME = bauerdl	DESIGNED -	REVISED - 09-02-03
et:\pw_work\p\dot\bauerdl\d0108315\be505.dgn		DRAWN -	REVISED - 03-22-10
	PLOT SCALE = 50.0000' / in.	CHECKED -	REVISED - 09-02-10
	PLOT DATE = 2/27/2013	DATE -	REVISED - 02-27-13

STATE OF ILLINOIS
DEPARTMENT OF TRANSPORTATION

HIGH MAST LIGHT TOWER
120 FT TO 140 FT (36 m TO 43 m)

SCALE: NONE SHEET NO. 3 OF 3 SHEETS STA. TO STA.

F.A. RTE.	SECTION	COUNTY	TOTAL SHEETS	SHEET NO.
	BE-505			
CONTRACT NO.		FED. ROAD DIST. NO. 1 ILLINOIS FED. AID PROJECT		