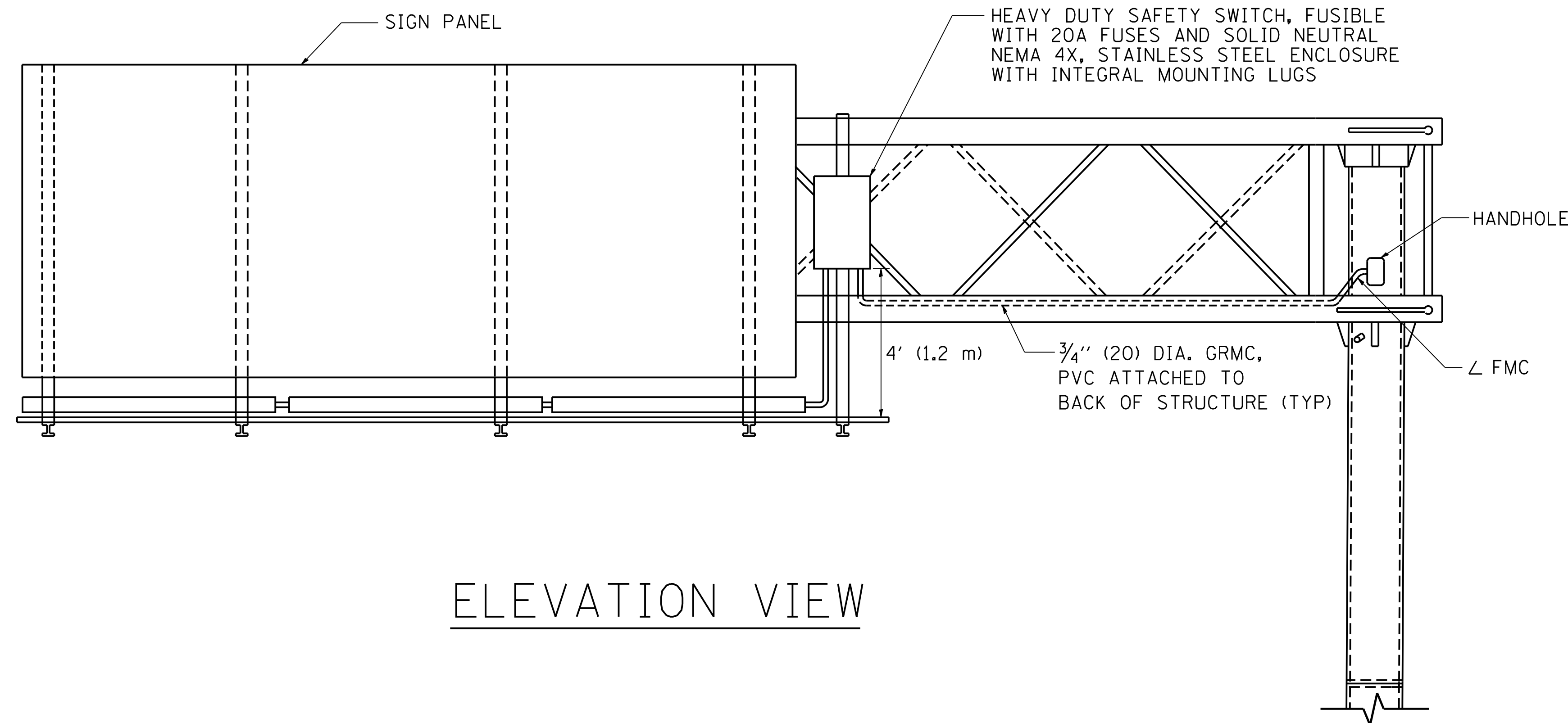
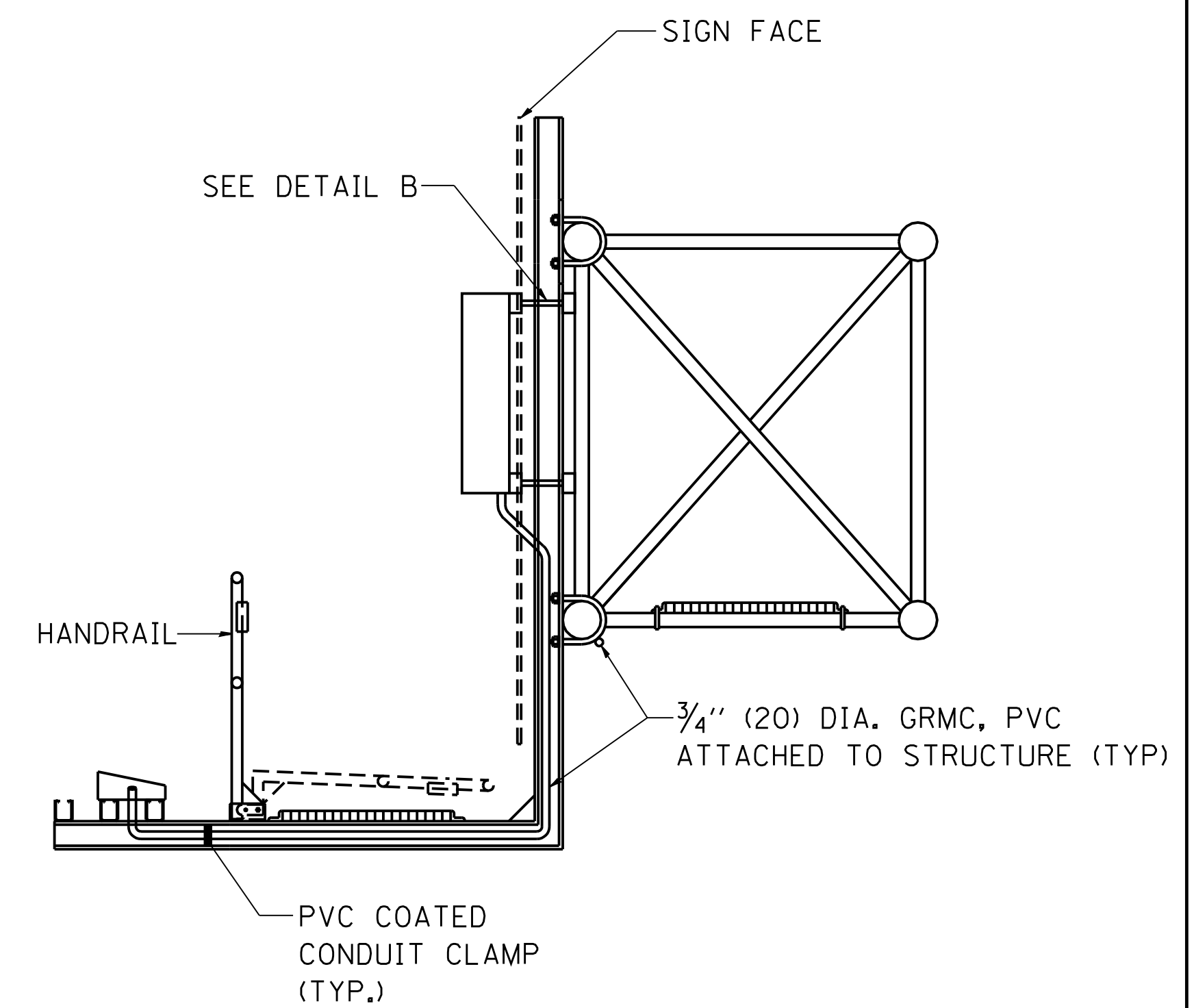
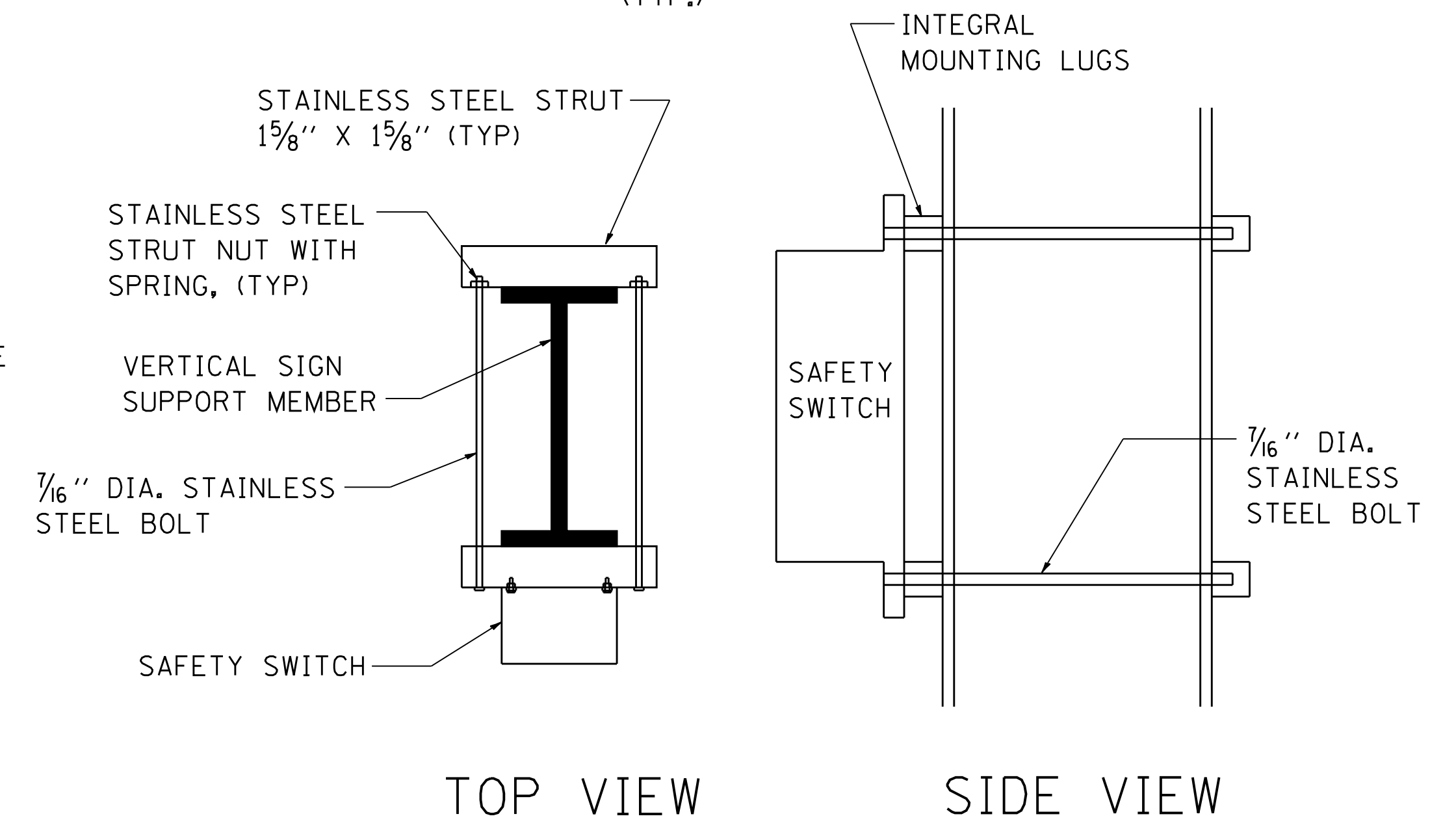


TOP VIEW



ELEVATION VIEW



TOP VIEW

SIDE VIEW

DETAIL B

FILE NAME = W:\diststd\22x34\be601.dgn	USER NAME = gaglionobt	DESIGNED - DRAWN -	REVISED - 08-19-04 REVISED -	<b>STATE OF ILLINOIS DEPARTMENT OF TRANSPORTATION</b>	<b>ELECTRIC CONNECTION TO SIGN STRUCTURE CANTILEVER TYPE</b>			F.A. RTE.	SECTION	COUNTY	TOTAL SHEETS	SHEET NO.
	PLOT SCALE = 50.0000' / IN.	CHECKED -	REVISED -		SCALE: NONE	SHEET NO. 2 OF 2 SHEETS	STA.	TO STA.	<b>BE-601</b>		CONTRACT NO.	
	PLOT DATE = 1/4/2008	DATE -	REVISED -		FED. ROAD DIST. NO. 1   ILLINOIS FED. AID PROJECT							