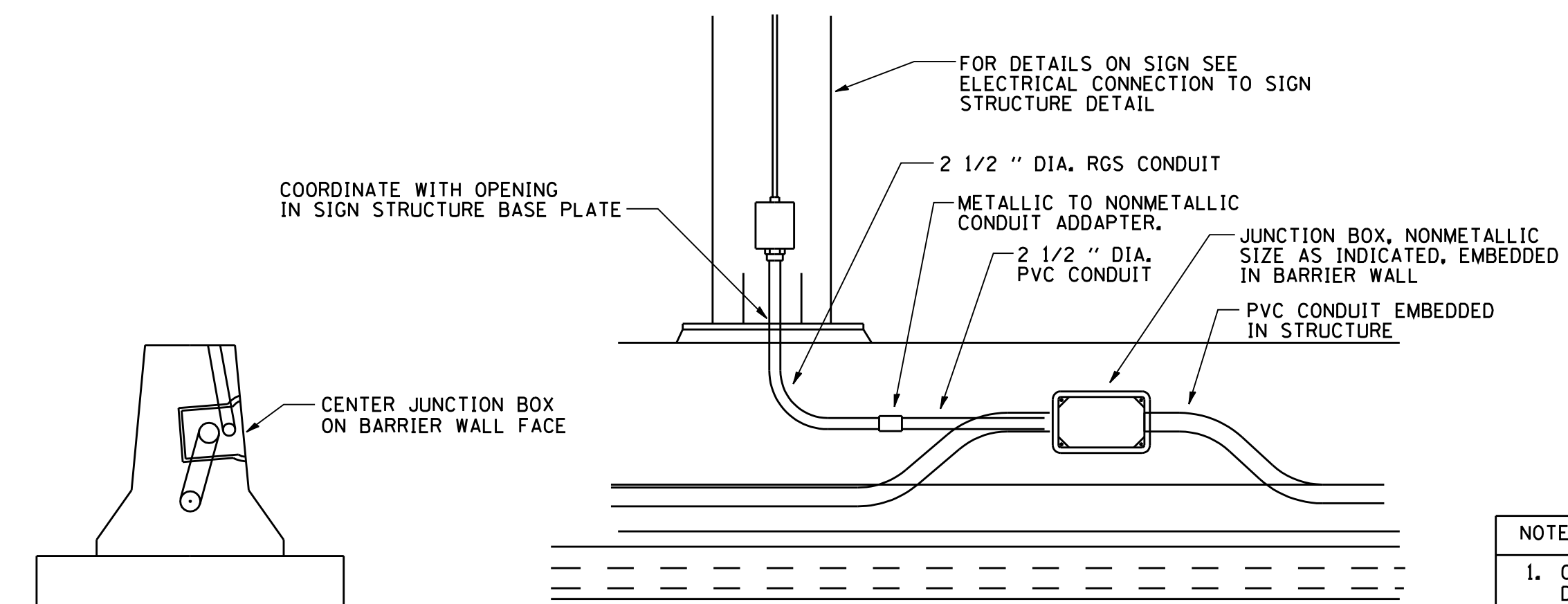


NOTES

1. CONDUIT SHALL BE 4-INCH DIAMETER UNLESS OTHERWISE INDICATED IN THE PLANS.
2. JUNCTION BOX SIZE
SINGLE FACE WALL: 21" X 11" X 8"
DOUBLE FACE WALL: 20" X 13" X 12"

NOTE: FOR DETAILS ABOVE BARRIER WALL SEE UNDERPASS DETAILS.

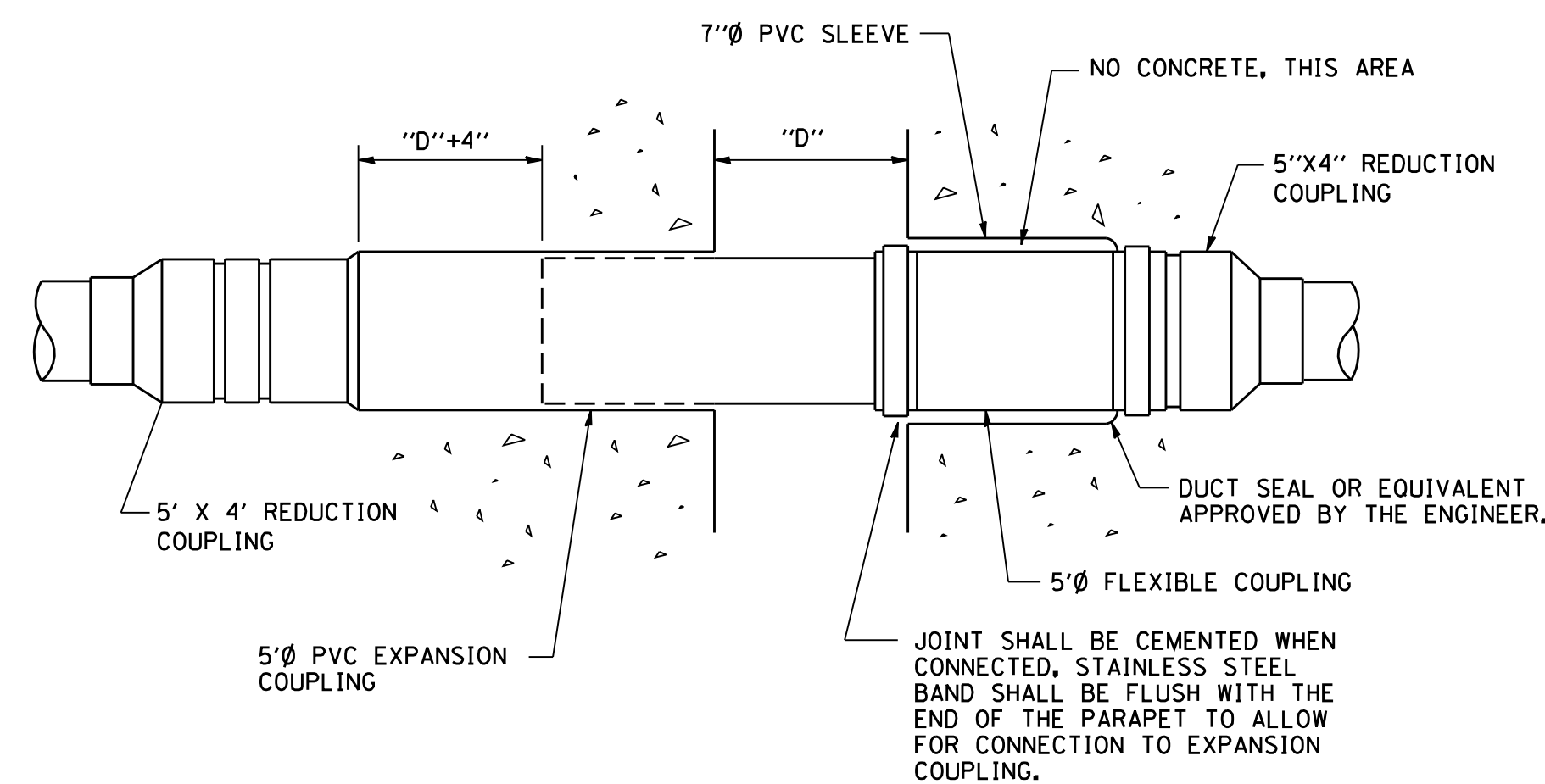
ED - BWD
ELECTRIC CONNECTION TO UNDERPASS LIGHTING



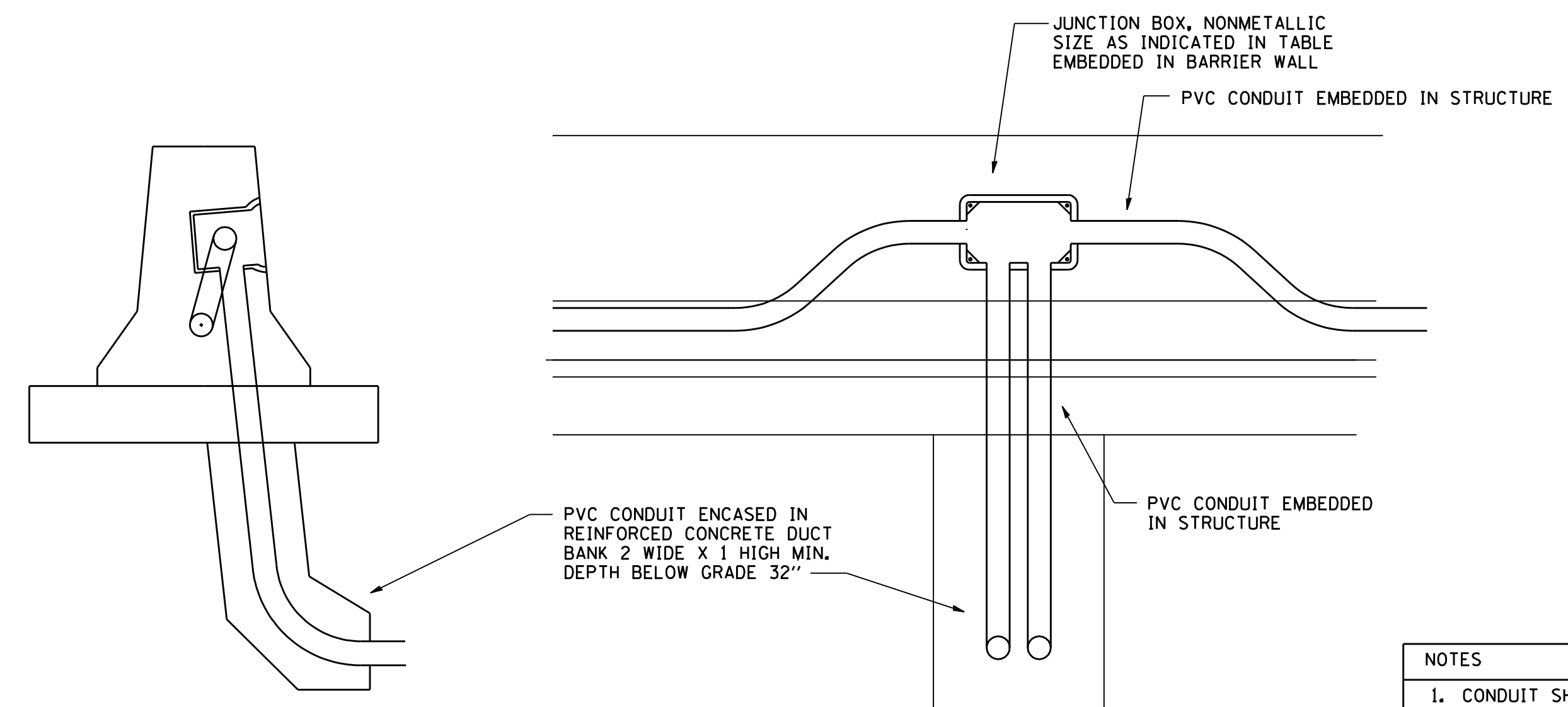
NOTES

1. CONDUIT SHALL BE 4-INCH DIAMETER UNLESS OTHERWISE INDICATED IN THE PLANS.
2. JUNCTION BOX SIZE
SINGLE FACE WALL: 21" X 11" X 8"
DOUBLE FACE WALL: 20" X 13" X 12"

ED - SGN
JUNCTION BOX EMBEDDED IN BARRIER WALL FOR SIGN LIGHTING



INSTALLATION OF CONDUIT
IN BRIDGE PARAPET EXPANSION JOINT
(N.T.S.)



NOTES

1. CONDUIT SHALL BE 4-INCH DIAMETER UNLESS OTHERWISE INDICATED IN THE PLANS.
2. JUNCTION BOX SIZE
SINGLE FACE WALL: 21" X 11" X 8"
DOUBLE FACE WALL: 20" X 13" X 12"

ED - BW
JUNCTION BOX EMBEDDED IN BARRIER WALL

FILE NAME = be703.dgn	USER NAME = gaglianobt	DESIGNED -	REVISED -
		DRAWN -	REVISED -
	PLOT SCALE = 50.0000' / IN.	CHECKED -	REVISED -
	PLOT DATE = 2/5/2009	DATE - 01-20-2009	REVISED -

STATE OF ILLINOIS
DEPARTMENT OF TRANSPORTATION

MISCELLANEOUS ELECTRICAL DETAILS, SHEET B			
J BOX EMBEDDED IN BARRIER WALL - INSTALLATION OF CONDUIT IN BRIDGE PARAPET EXPANSION JOINT - ELECTRIC CONNECTION TO UNDERPASS LIGHTING			
SCALE: NONE	SHEET NO. 1 OF 1 SHEETS	STA.	TO STA.

F.A. RTE.	SECTION	COUNTY	TOTAL SHEETS	SHEET NO.
	BE-703			
FED. ROAD DIST. NO. 1 ILLINOIS		FED. AID PROJECT		