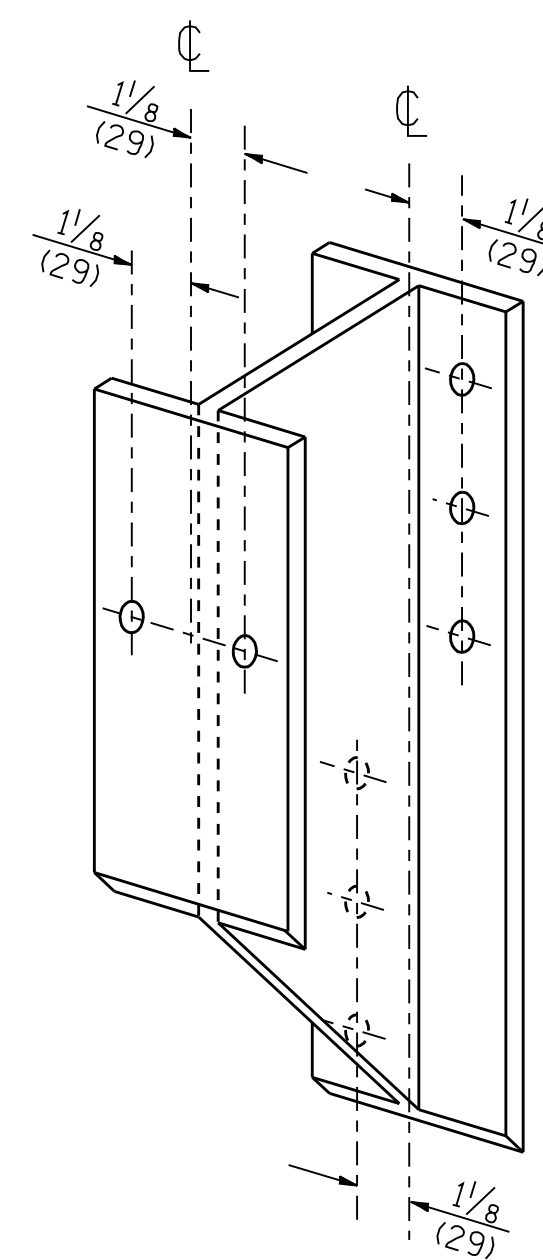
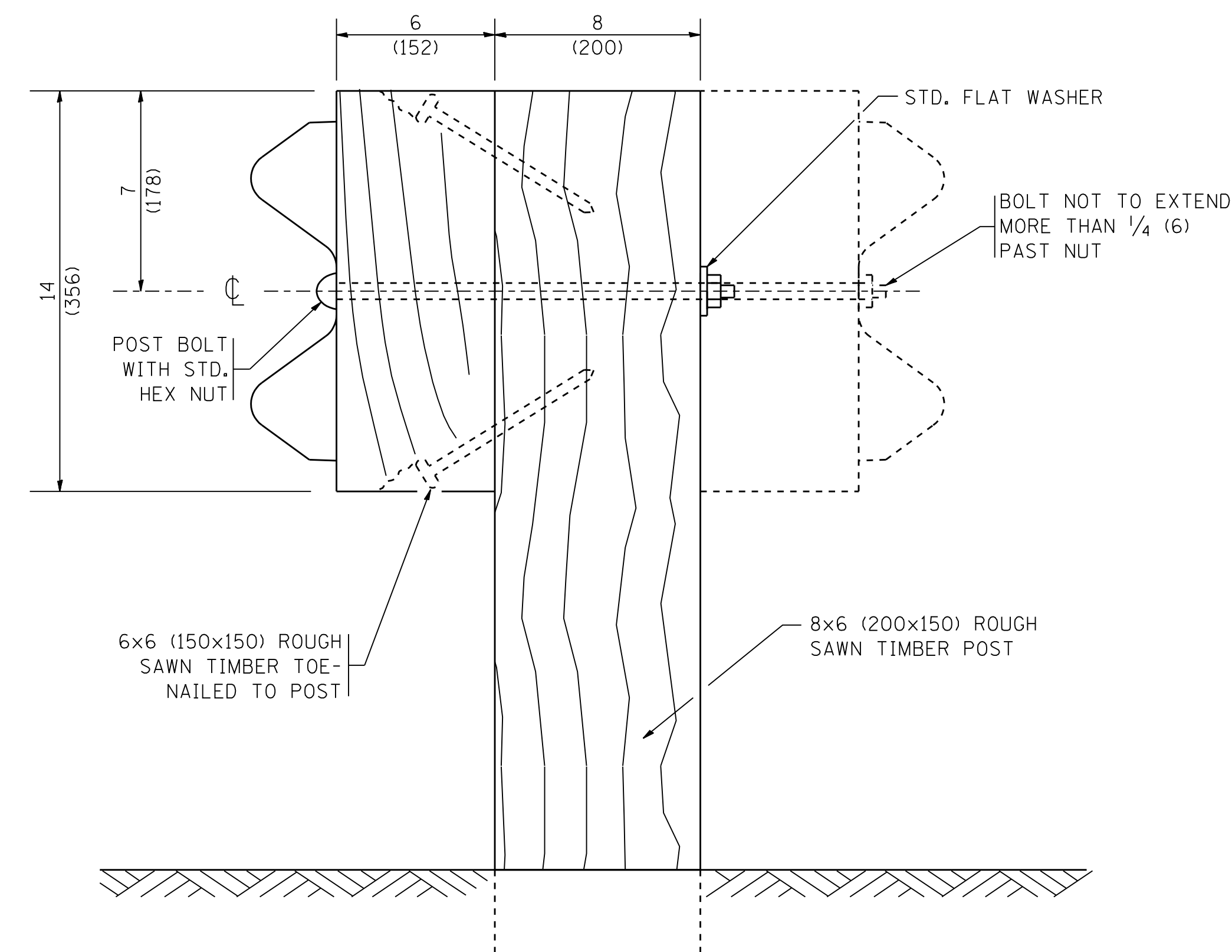


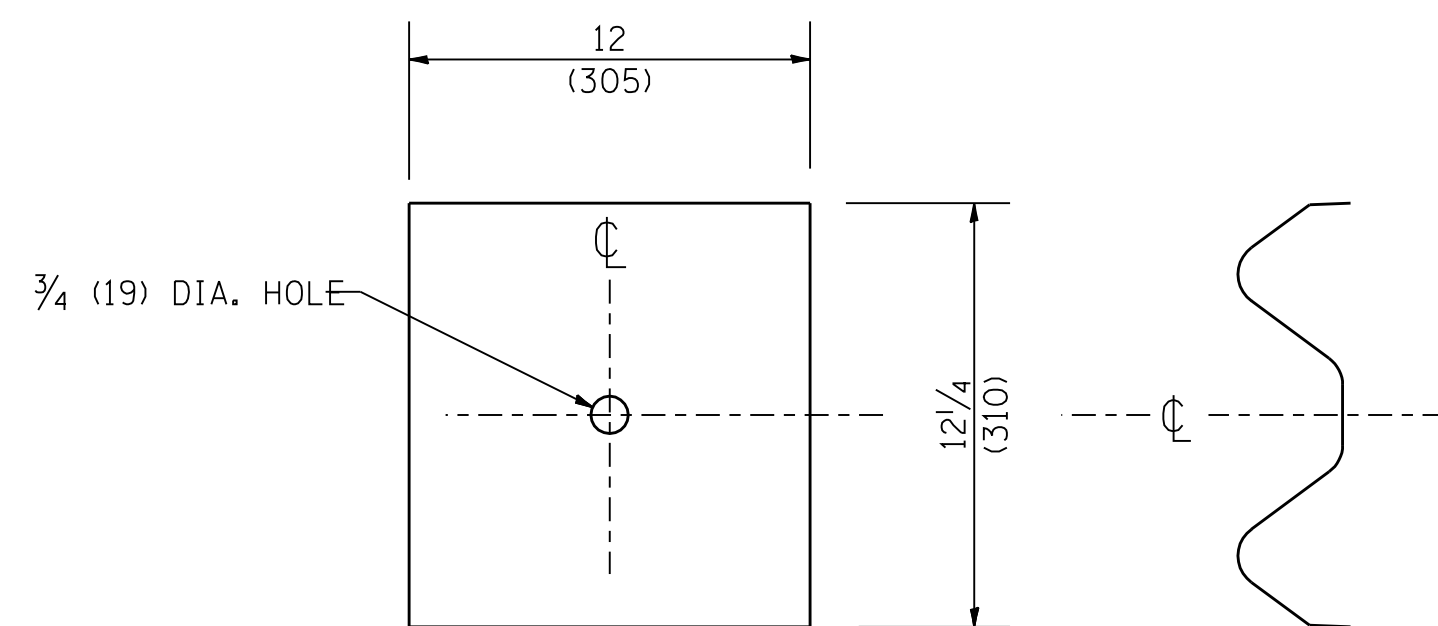
STEEL POST CONSTRUCTION



STEEL BLOCK-OUT DETAIL



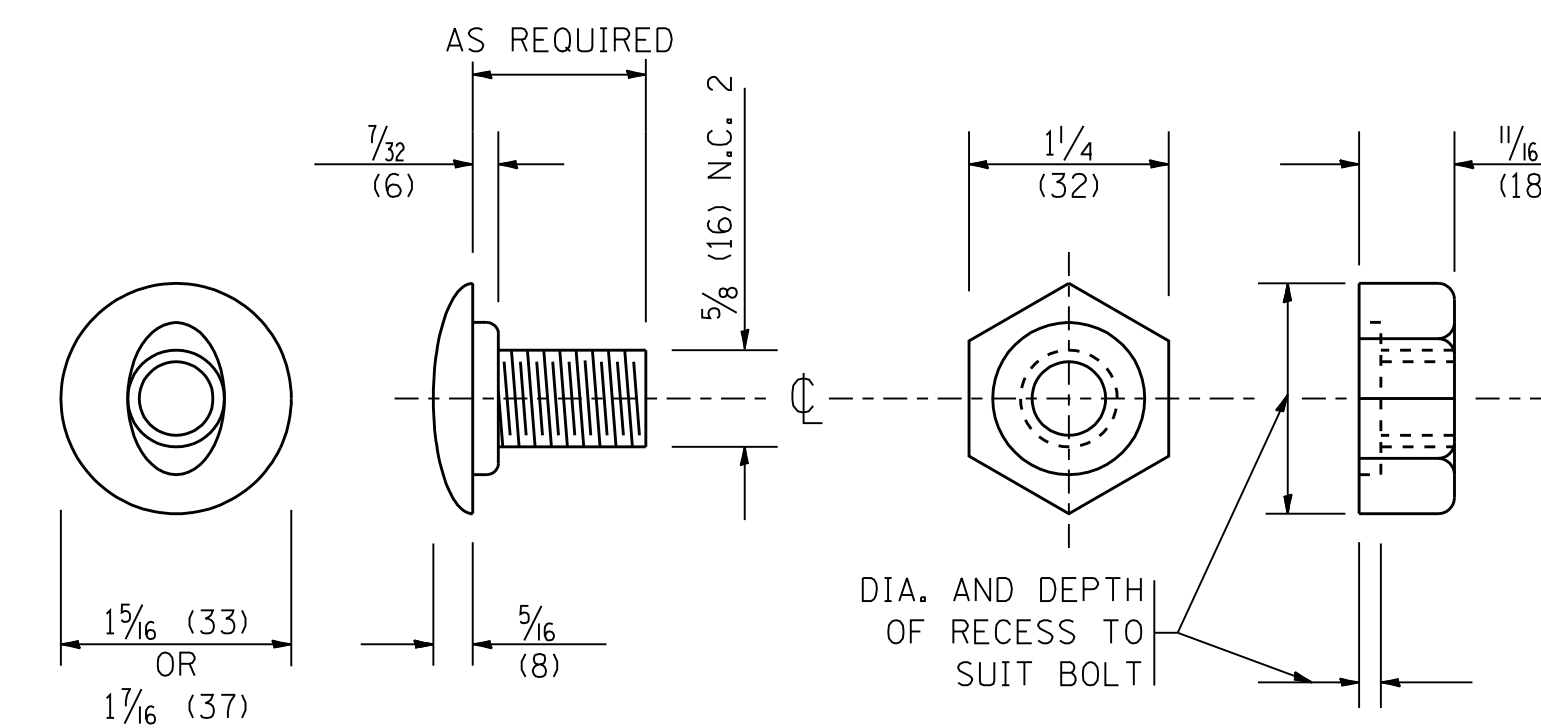
WOOD POST CONSTRUCTION



NOTE:

PLATE A SHALL BE PLACED BETWEEN RAIL ELEMENT AND BLOCK-OUT AT NON-SPLICE MOUNTING POINTS ONLY WHEN STEEL BLOCK-OUTS ARE USED.

PLATE A



POST OR SPLICE BOLT & NUT

FILE NAME = W:\diststd\22x34\bm21.dgn	USER NAME = gegl@nabt	DESIGNED -	REVISED - 10-31-06
		DRAWN -	REVISED -
	PLOT SCALE = 50.0000' / IN.	CHECKED -	REVISED -
	PLOT DATE = 1/4/2008	DATE -	REVISED -

**STATE OF ILLINOIS
DEPARTMENT OF TRANSPORTATION**

REMOVE AND REERECT STEEL PLATE BEAM GUARDRAIL			
SCALE: NONE	SHEET NO. 2 OF 4 SHEETS	STA.	TO STA.

F.A. RTE.	SECTION	COUNTY	TOTAL SHEETS	SHEET NO.
	BM-21			
FED. ROAD DIST. NO. 1		ILLINOIS FED. AID PROJECT		