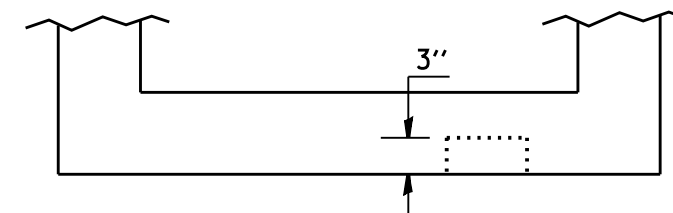


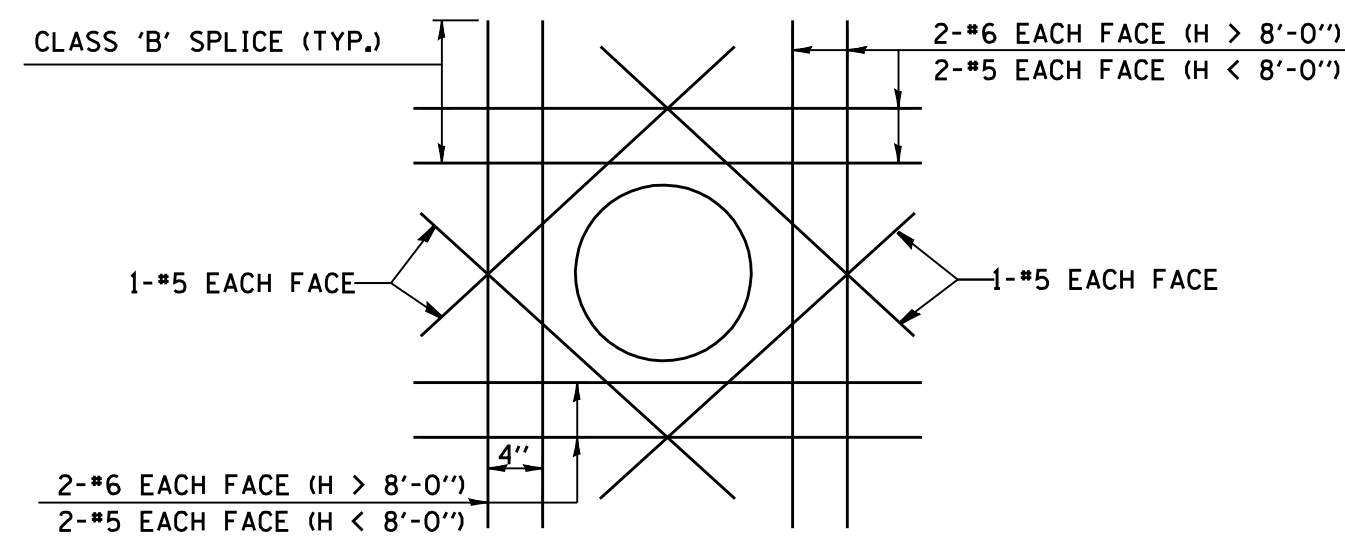
ELEVATION



PLAN

PIPE UNDERDRAIN CONNECTION DETAIL

AS SHOWN PROVIDE ON EACH FACE ONE (1) 3" DEEP DEPRESSION FOR USE AS UNDERDRAIN CONNECTIONS.
 USE: 5" DIAMETER FOR 4" P.U.
 7" DIAMETER FOR 6" P.U.
 9" DIAMETER FOR 8" P.U.
 REFER TO PLANS FOR SIZE & LOCATION OF UNDERDRAIN

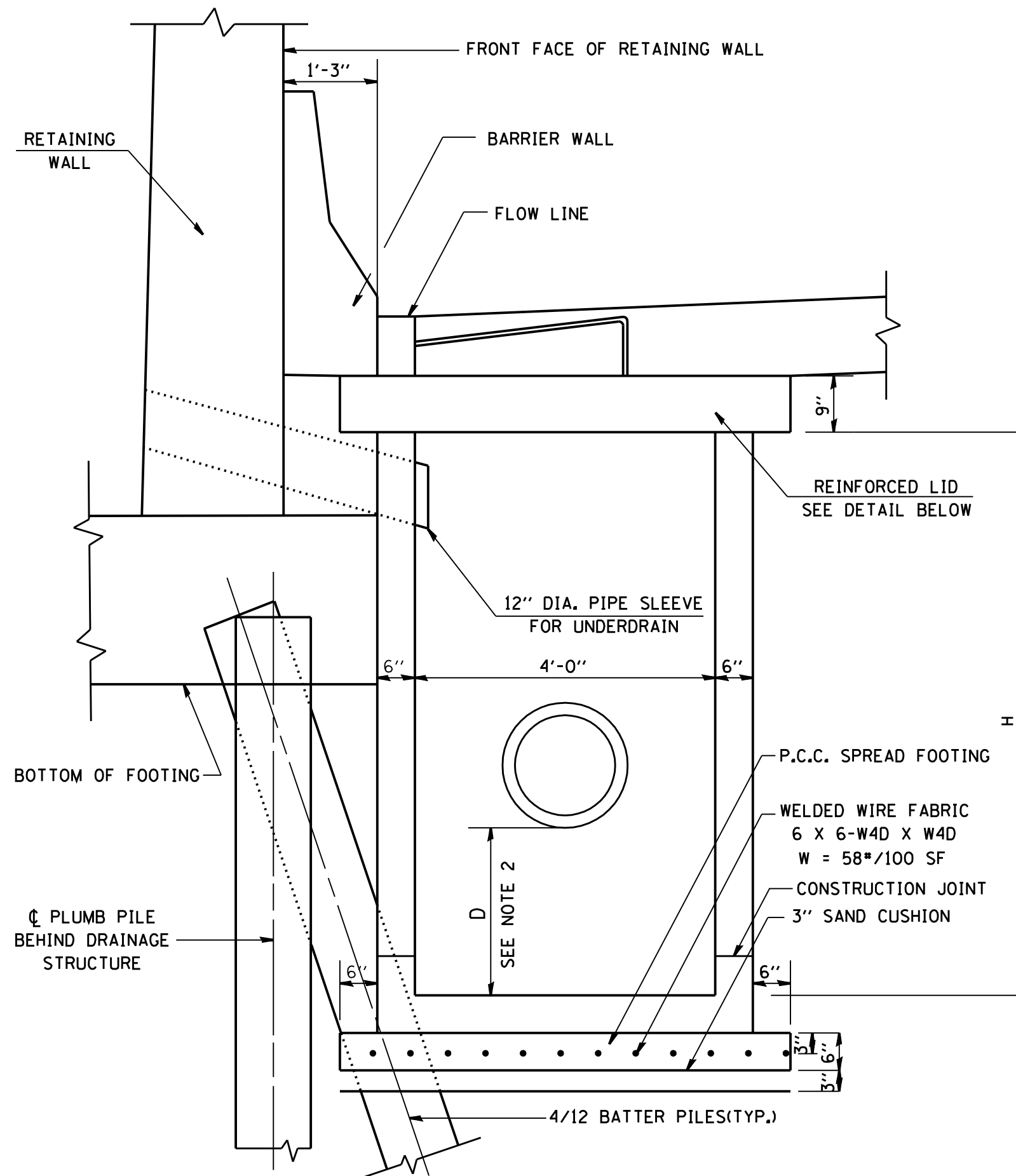


TYPICAL REINFORCEMENT DETAIL AROUND OPENINGS
 (OPENING ≥ 12")

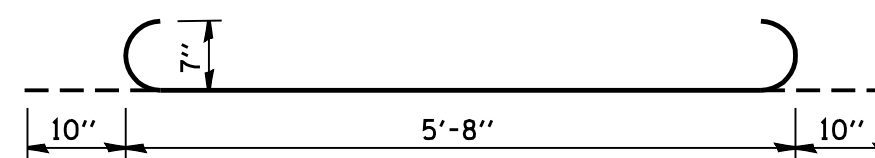
WHERE CLASS 'B' SPLICE LENGTH ANCHORAGE IS NOT POSSIBLE, BARS SHOULD BE HOOKED.

NOTES:

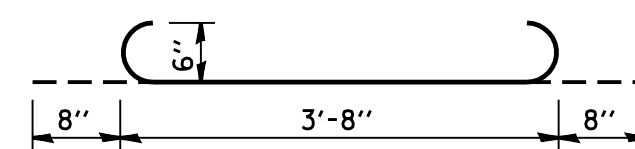
- DRAINAGE STRUCTURE SHALL CONFORM TO I.D.O.T. STANDARD 2384 EXCEPT AS NOTED.
- D = 0' FOR INLETS
D = 3' FOR C.B.'S
- SAND CUSHION SHALL CONFORM TO THE REQUIREMENTS OF ARTICLE 703.01 (FA1 OR FA2).
- THE FOOTING WILL NOT BE PAID FOR SEPARATELY, BUT SHALL BE CONSIDERED INCIDENTAL TO THE DRAINAGE STRUCTURE.
- REINFORCEMENT FOR STRUCTURE WALLS AND BASE SLAB SHALL BE IN ACCORDANCE WITH STD. 2384 FOR DEPTHS UP TO H=8'-0"
- STEPS SHALL BE INCLUDED IN ALL STRUCTURES



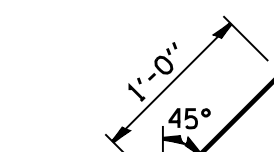
CATCH BASIN ALONG RETAINING WALLS



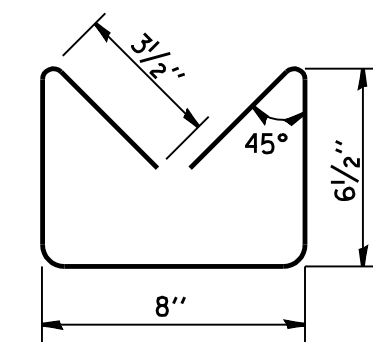
#7 BAR †



#6 BAR †

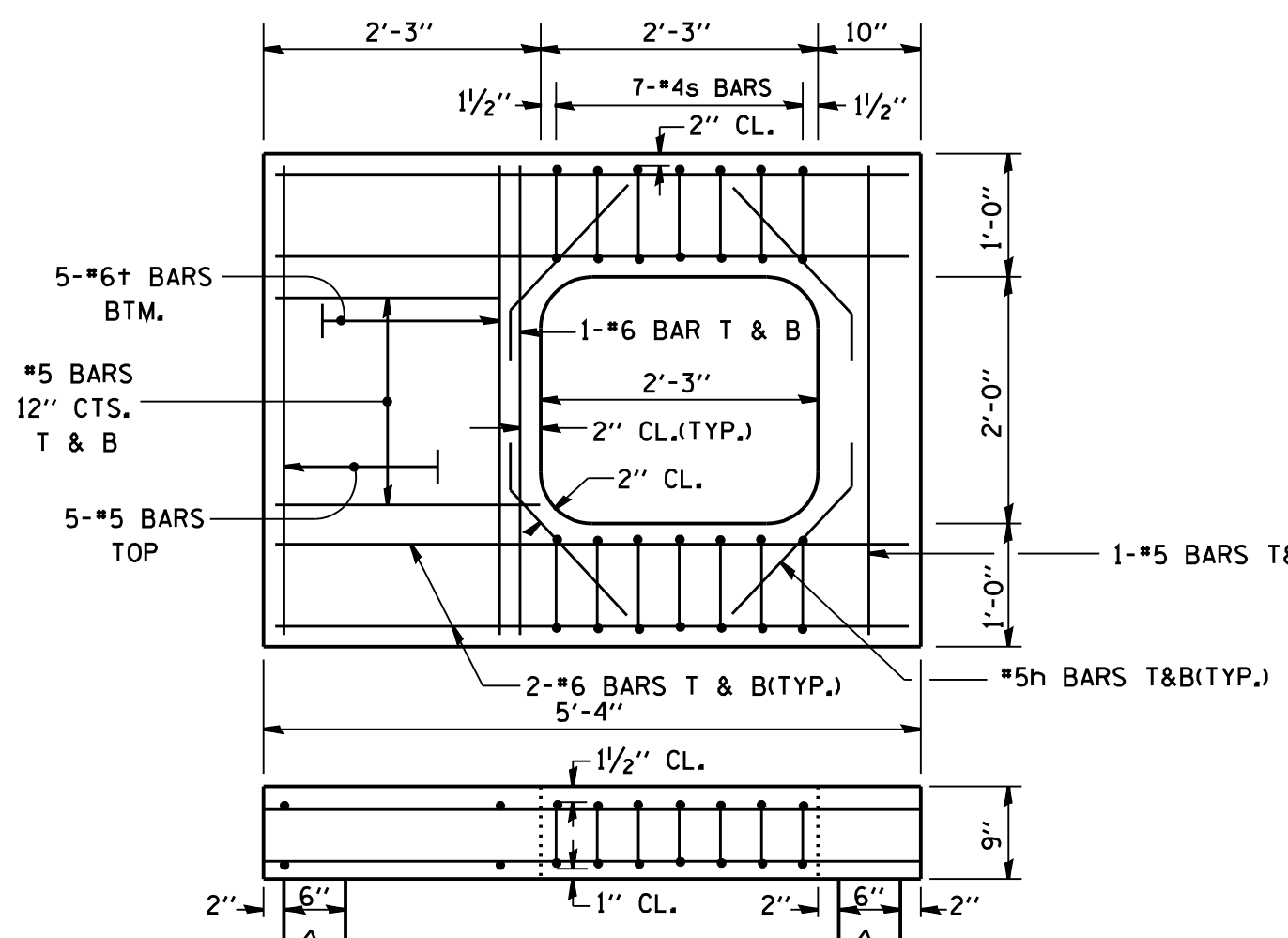


#5 BAR h



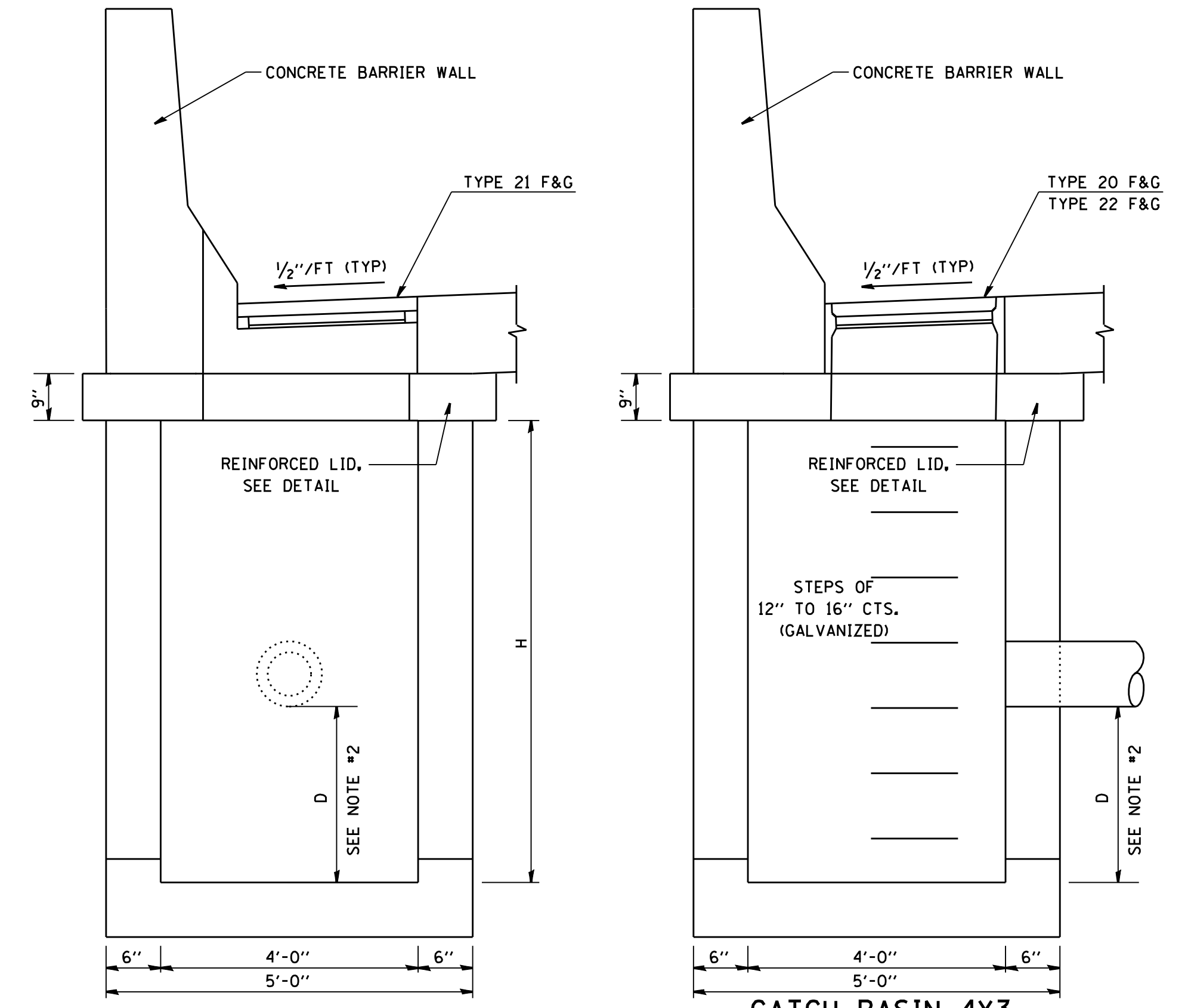
#4 BAR s

BAR DETAILS



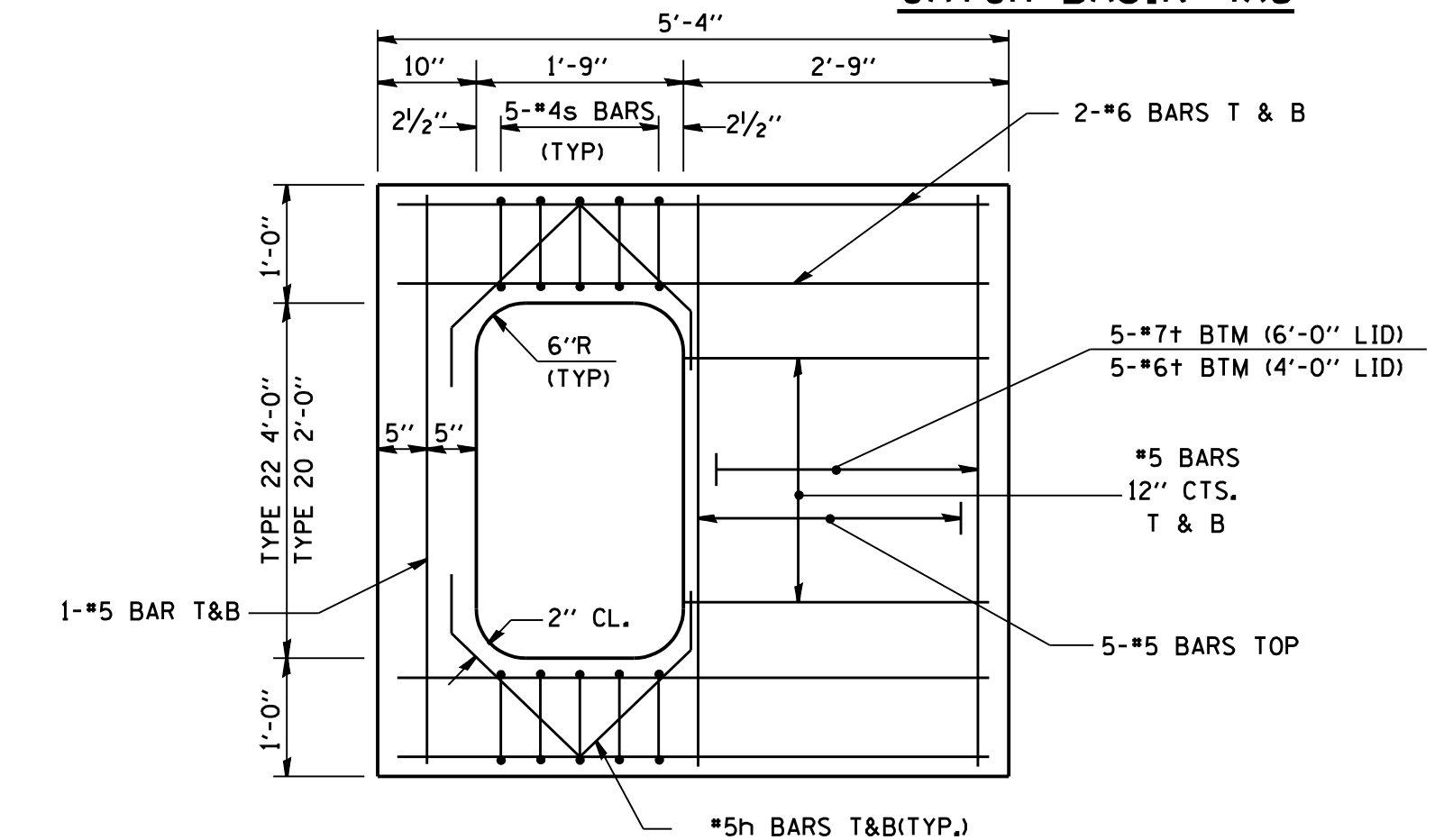
REINFORCED LID FOR TYPE 21 F&G

DRAINAGE STRUCTURES ALONG BARRIER WALL



4x3 WITH ONE TYPE 21 F&G

CATCH BASIN 4x3 CATCH BASIN 4x5



REINFORCED LID FOR TYPE 20 AND 22 F&G