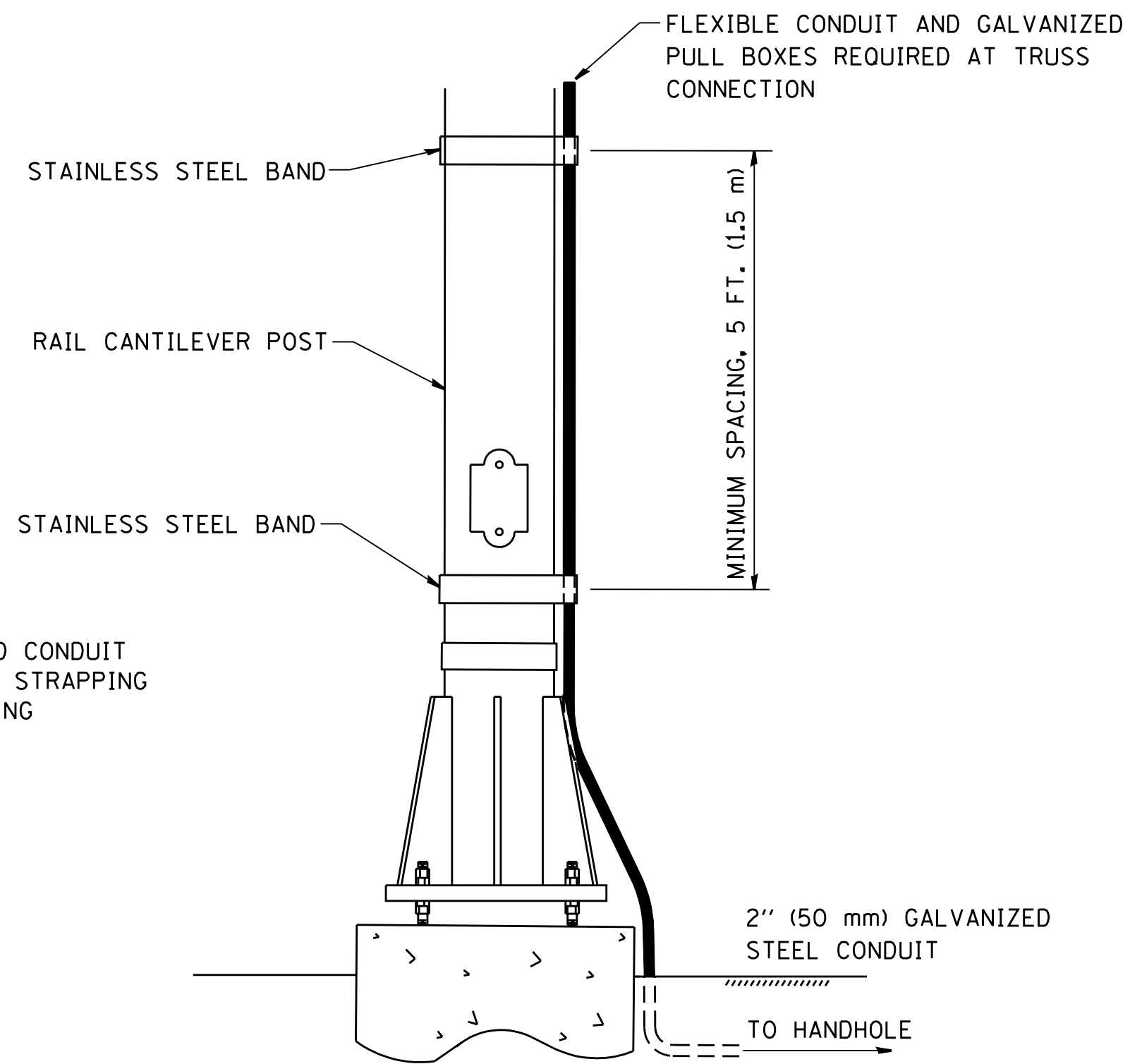
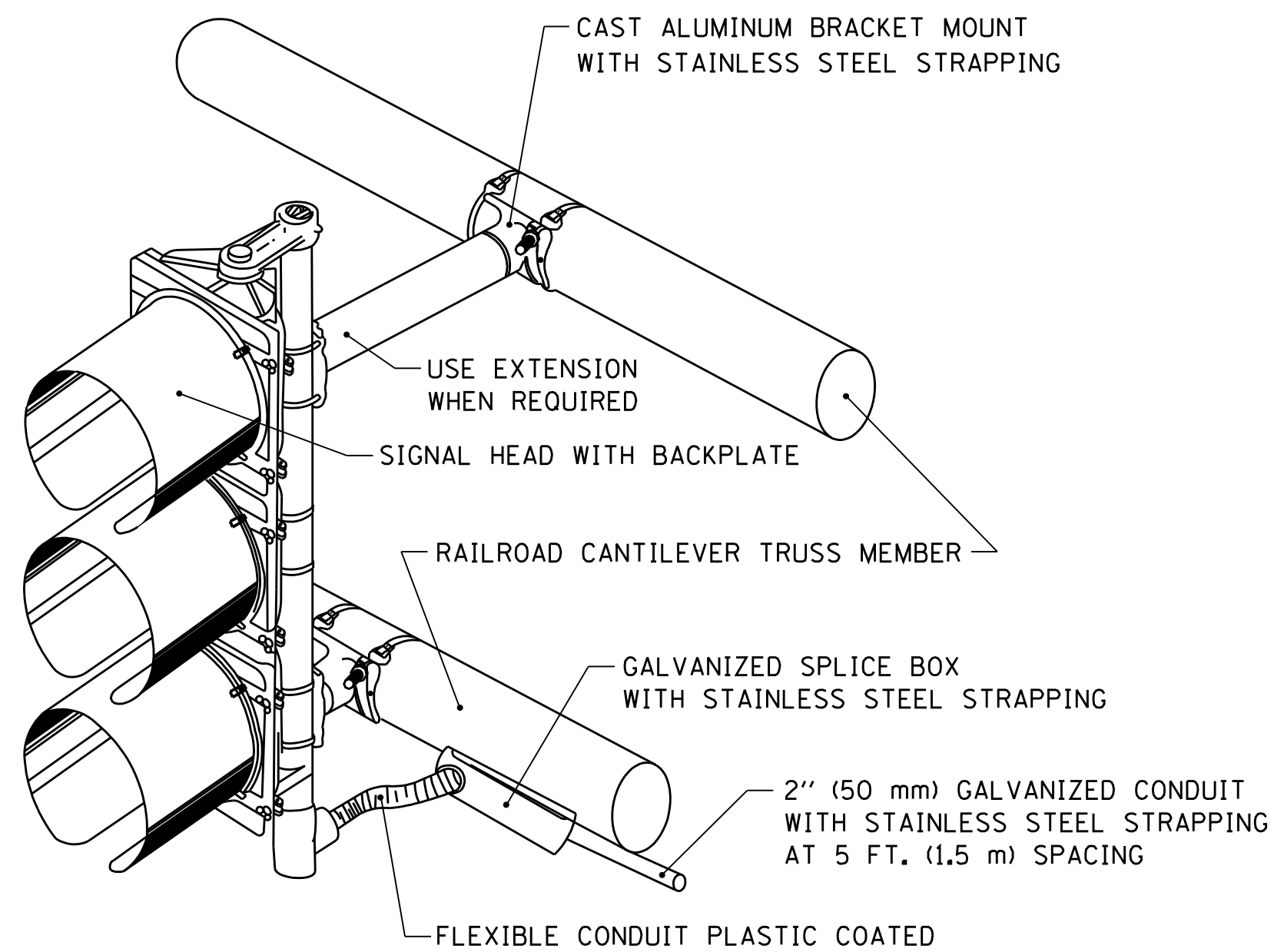


RAILROAD CANTILEVER SIGNAL HEAD MOUNTING

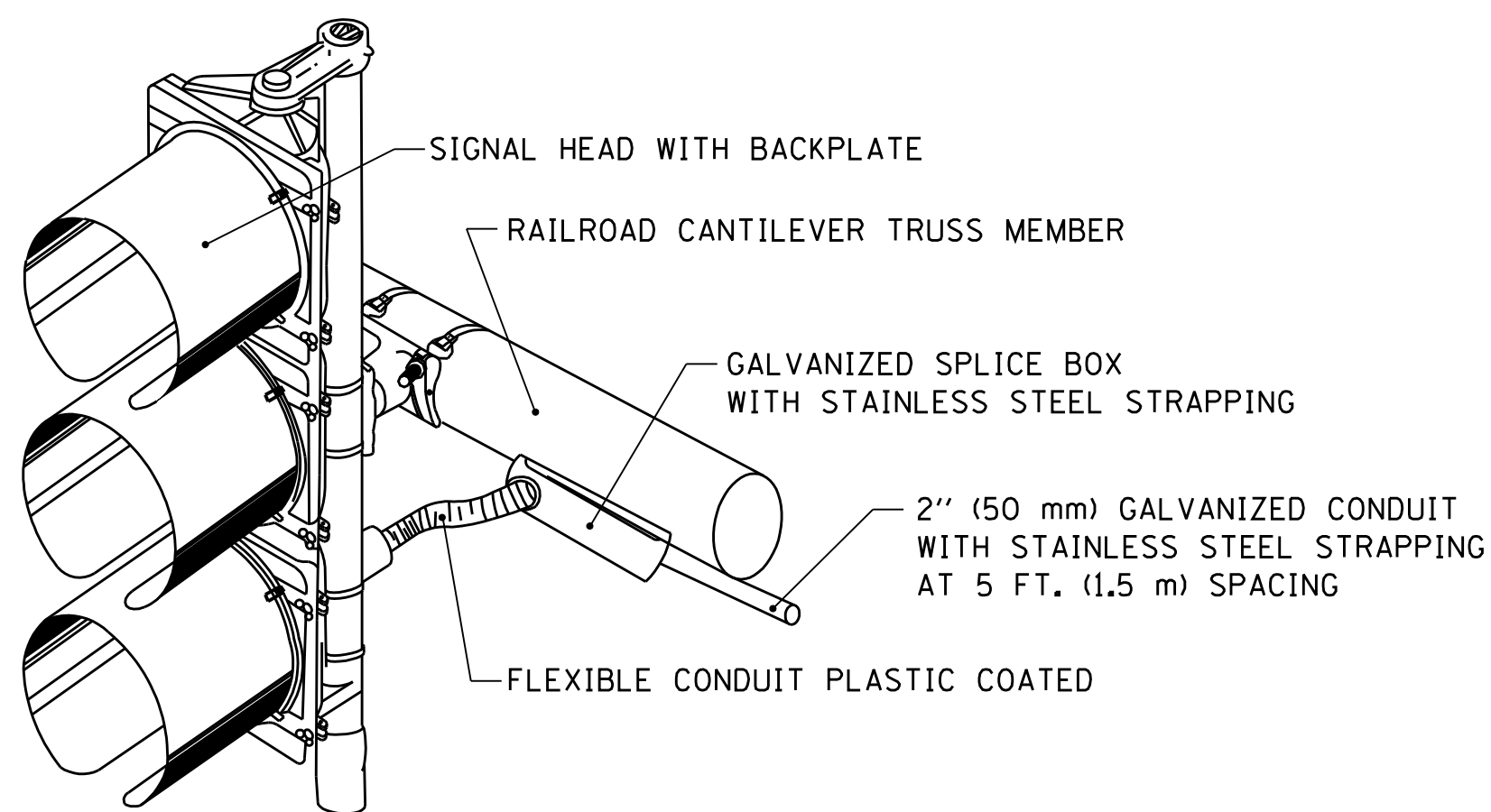


SIGNAL CONDUIT CONNECTION TO RAIL CANTILEVER DETAIL



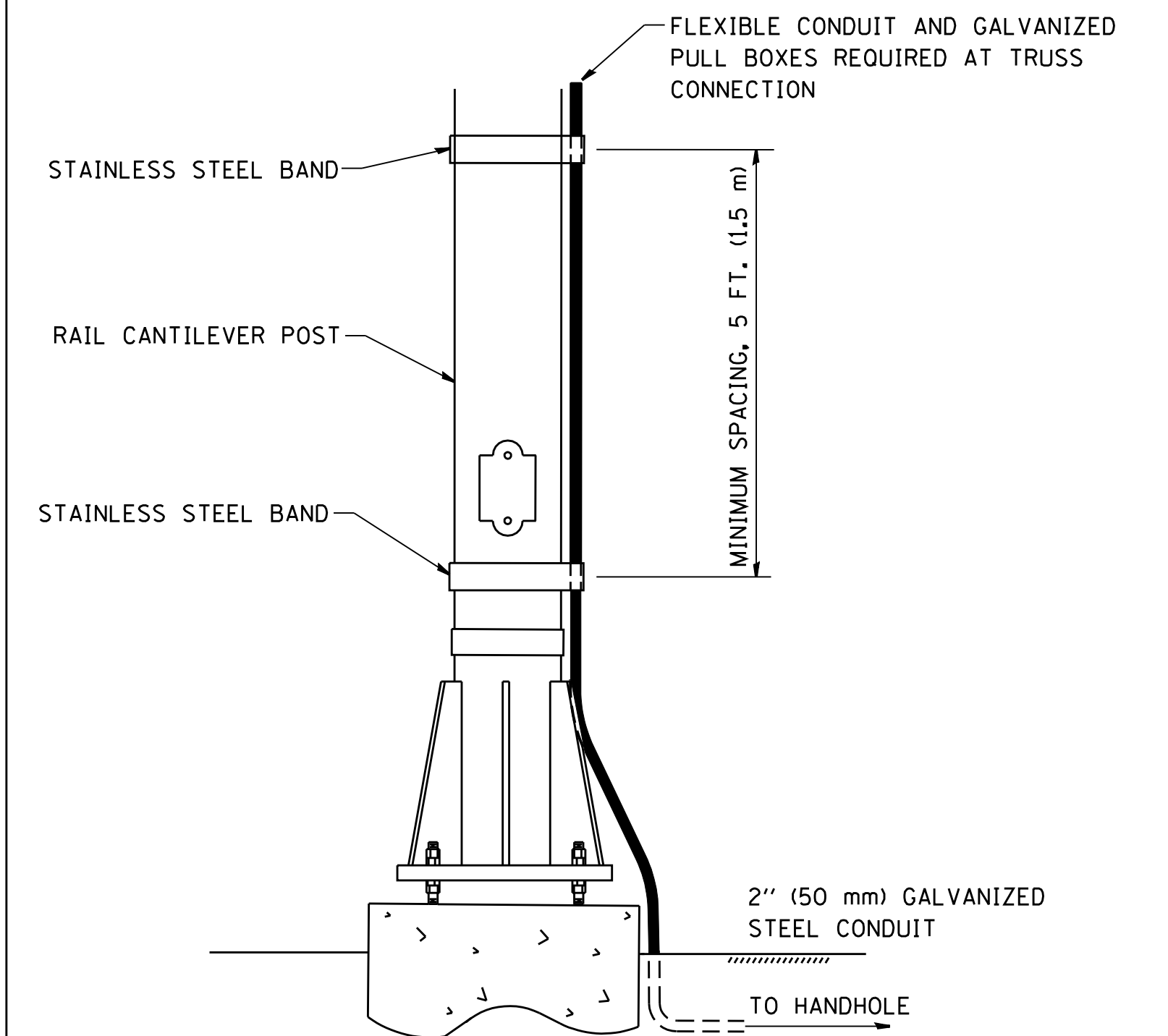
NOTE: USE NONCONDUCTIVE SPACERS BETWEEN THE TRAFFIC SIGNAL EQUIPMENT AND THE RAILROAD CANTILEVER TO PREVENT DISSIMILAR METAL CORRSION.

RAILROAD CANTILEVER SIGNAL HEAD MOUNTING



NOTE: USE NONCONDUCTIVE SPACERS BETWEEN THE TRAFFIC SIGNAL EQUIPMENT AND THE RAILROAD CANTILEVER TO PREVENT DISSIMILAR METAL CORRSION.

RAILROAD CANTILEVER SIGNAL HEAD MOUNTING



NOTE: USE NONCONDUCTIVE SPACERS BETWEEN THE TRAFFIC SIGNAL EQUIPMENT AND THE RAILROAD CANTILEVER TO PREVENT DISSIMILAR METAL CORRSION.

SIGNAL CONDUIT CONNECTION TO RAIL CANTILEVER DETAIL

FILE NAME = W:\diststd\22x34\ts06.dgn

USER NAME = gaglionobt
 PLOT SCALE = 50.0000' / IN.
 PLOT DATE = 1/4/2008

DESIGNED -
 DRAWN -
 CHECKED -
 DATE -

REVISED -
 REVISED -
 REVISED -
 REVISED -

STATE OF ILLINOIS
 DEPARTMENT OF TRANSPORTATION

RAILROAD CANTILEVER
 SIGNAL HEAD MOUNTING DETAIL

SCALE: NONE SHEET NO. 1 OF 1 SHEETS STA. TO STA.

F.A. RTE.	SECTION	COUNTY	TOTAL SHEETS	SHEET NO.
	TS-06			
FED. ROAD DIST. NO. 1		ILLINOIS FED. AID PROJECT		