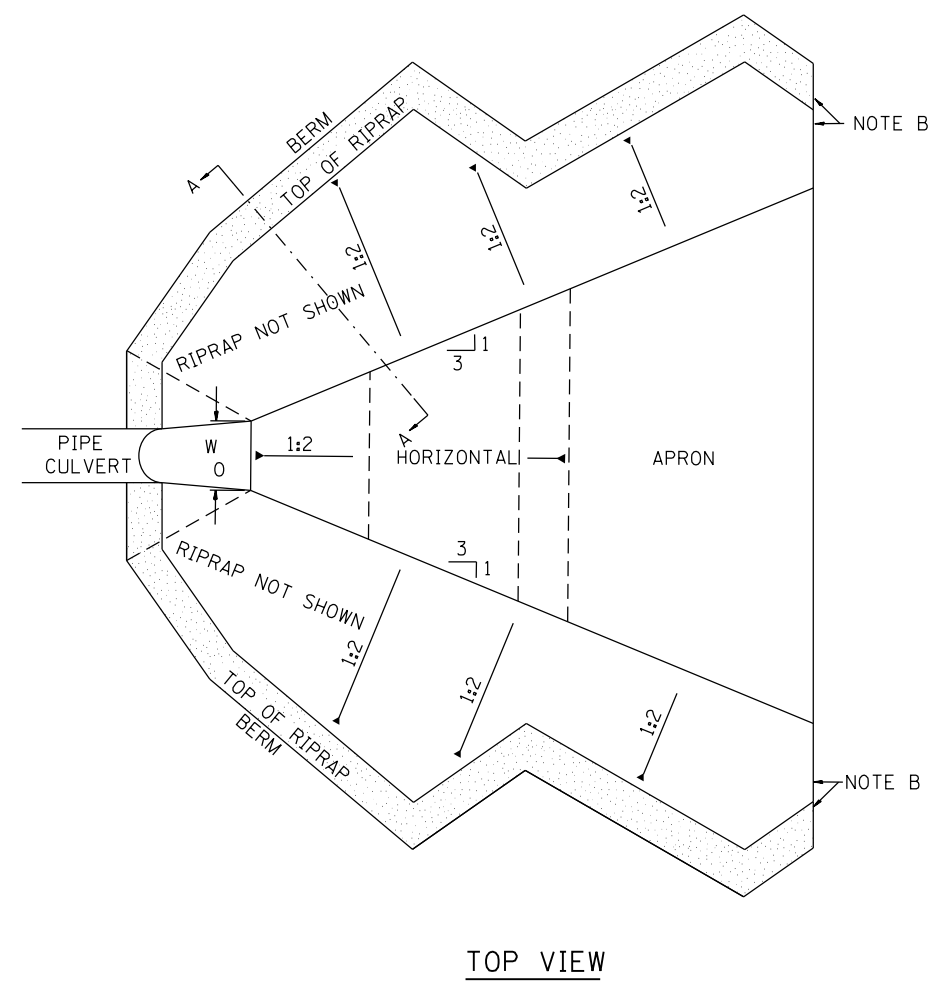
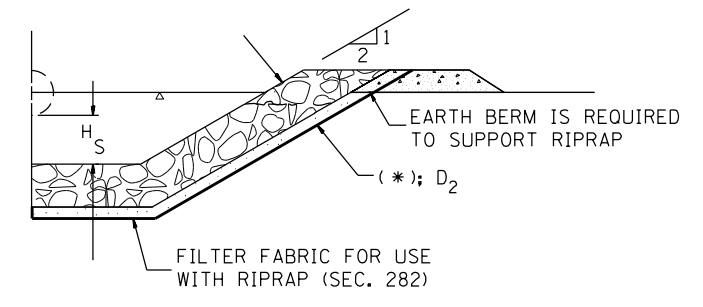
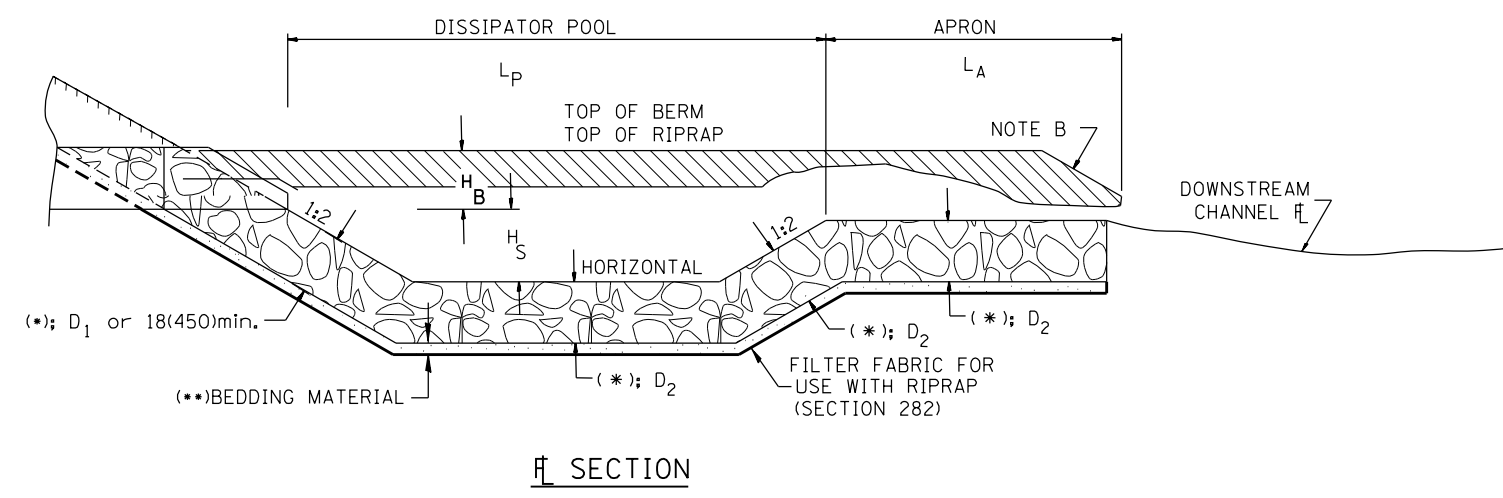


Designer NOTES:
 1. Designer to modify this Special Detail Sheet, as needed for inclusion in plans.
 2. (*) Designer to specify pay item including material, quality, and gradation.
 3. (**) Designer to specify thickness of bedding material.
 4. Include District Special Provision if needed.



STATION	(*) (*) (**)								
	W0	LP	LA	HS	HB	D1	D2	D3	

NOTE B: WARP BASIN TO CONFORM TO NATURAL STREAM CHANNEL

All slope ratios are expressed as units of vertical displacement to units of horizontal displacement (V:H).
 All dimensions are in inches (millimeters) unless otherwise noted.