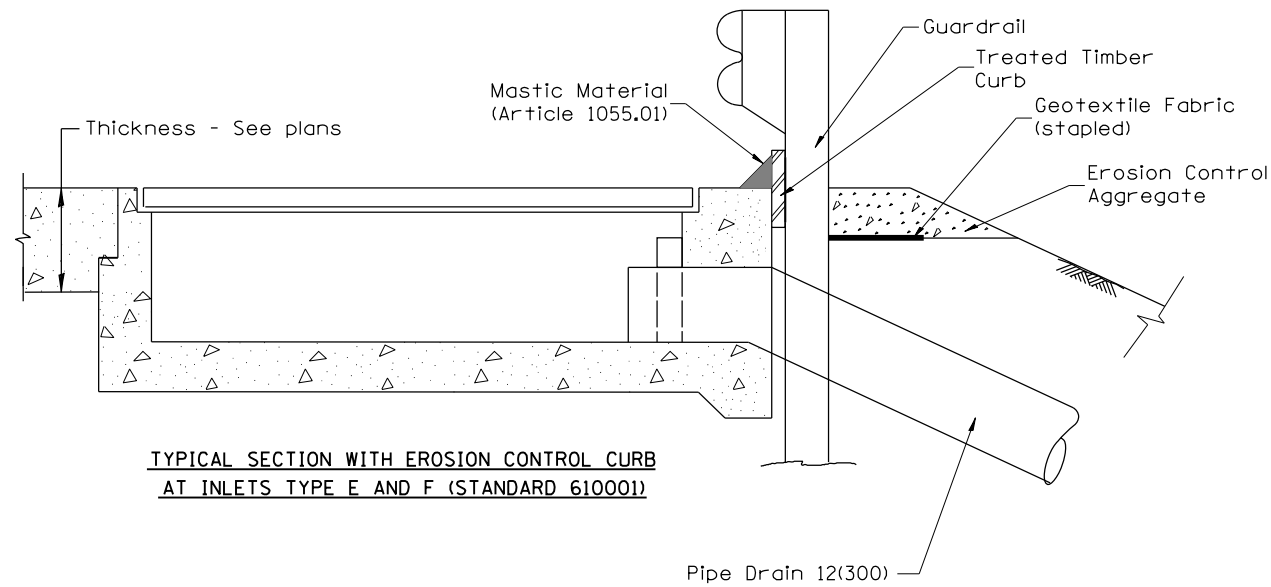
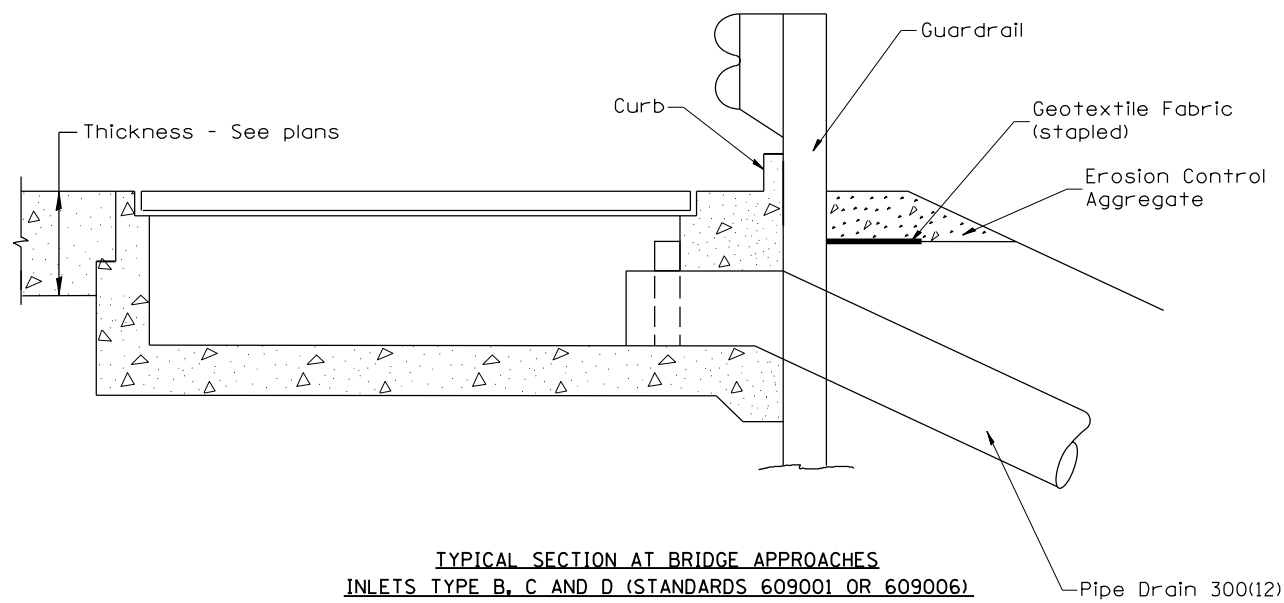


DESIGNER NOTES:

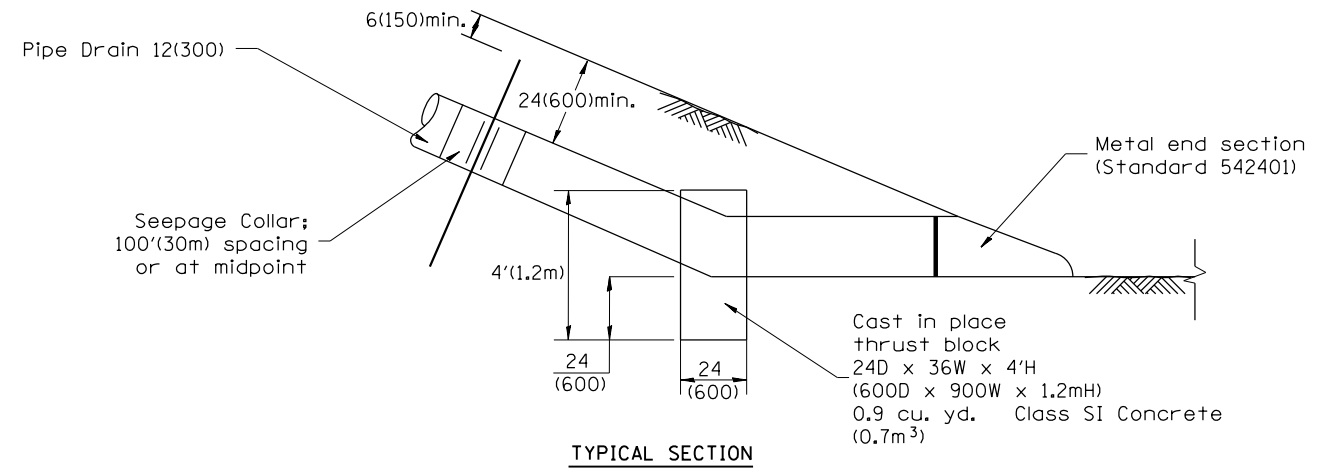
- 2. INCLUDE STATE STANDARDS 609001, 609006 OR 610001, IF APPLICABLE
- 3. INCLUDE DISTRICT CADD STANDARDS FOR "GUARDRAIL EROSION CONTROL TREATMENTS", "SEEPAGE COLLARS FOR BURIED PIPES", AND "PIPE ELBOW"



TYPICAL SECTION WITH EROSION CONTROL CURB AT INLETS TYPE E AND F (STANDARD 610001)



TYPICAL SECTION AT BRIDGE APPROACHES INLETS TYPE B, C AND D (STANDARDS 609001 OR 609006)



TYPICAL SECTION

GENERAL NOTES

1. The material for Pipe Drains shall be bituminous coated galvanized corrugated steel culvert pipe or bituminous coated corrugated aluminum alloy pipe in accordance with Article 601.02(f) or 601.02(i).
2. An approved mastic material (Article 1055.01) shall be applied to the inside of the connecting bands.

All dimensions are in inches (millimeters) unless otherwise noted.

QUANTITIES	
CALC. BY: _____	DATE: _____
CHECKED BY: _____	DATE: _____
QUANTITY CALCULATIONS ARE ON FILE AT THE DISTRICT 4 OFFICE; BUREAU OF PROJECT IMPLEMENTATION; DOCUMENTATION SECTION	

01-01-97	RENUM. H-1.04, NEW REVISION BOX, REVISED TITLE BOX, REVISED DESIGNER NOTES, ADDED QUANTITY	T.P.			
	CALCULATION BOX				
10-16-06	REVISED TO 2007 SPEC.	M.A.			

STATE OF ILLINOIS
DEPARTMENT OF TRANSPORTATION

SLOPE DRAIN DETAILS FOR BURIED PIPES

NOT TO SCALE

CADD STD. 601101-D4

F.A. RTE.	SECTION	COUNTY	TOTAL SHEETS	SHEET NO.
CONTRACT NO.				
FED. ROAD DIST. NO. ILLINOIS FED. AID PROJECT				