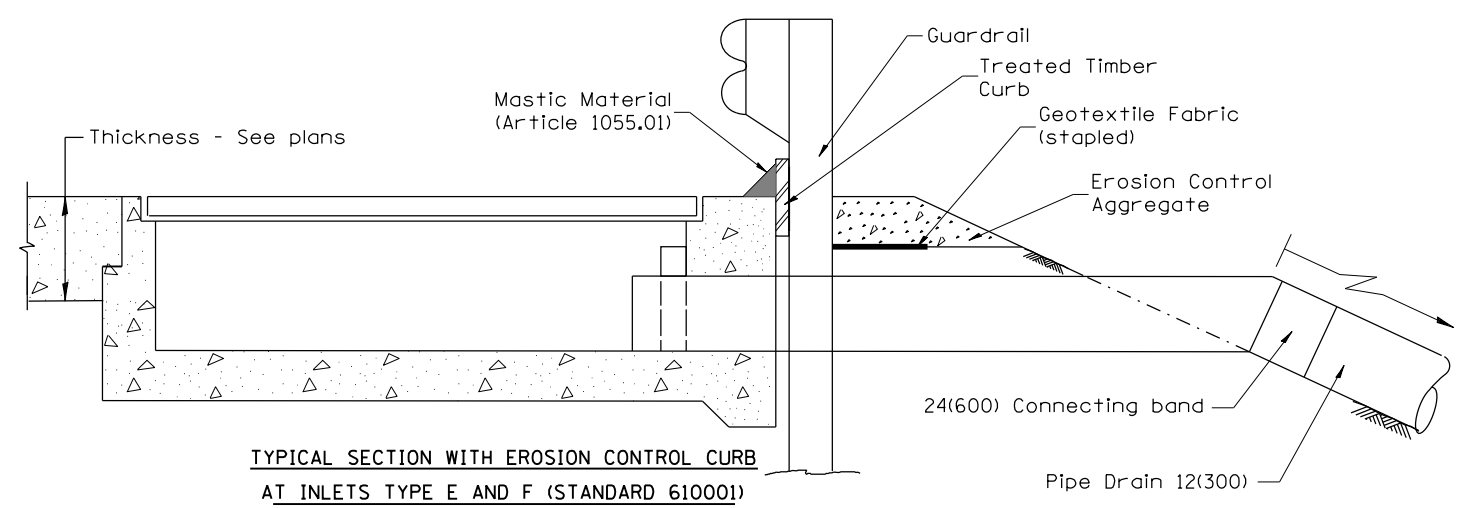
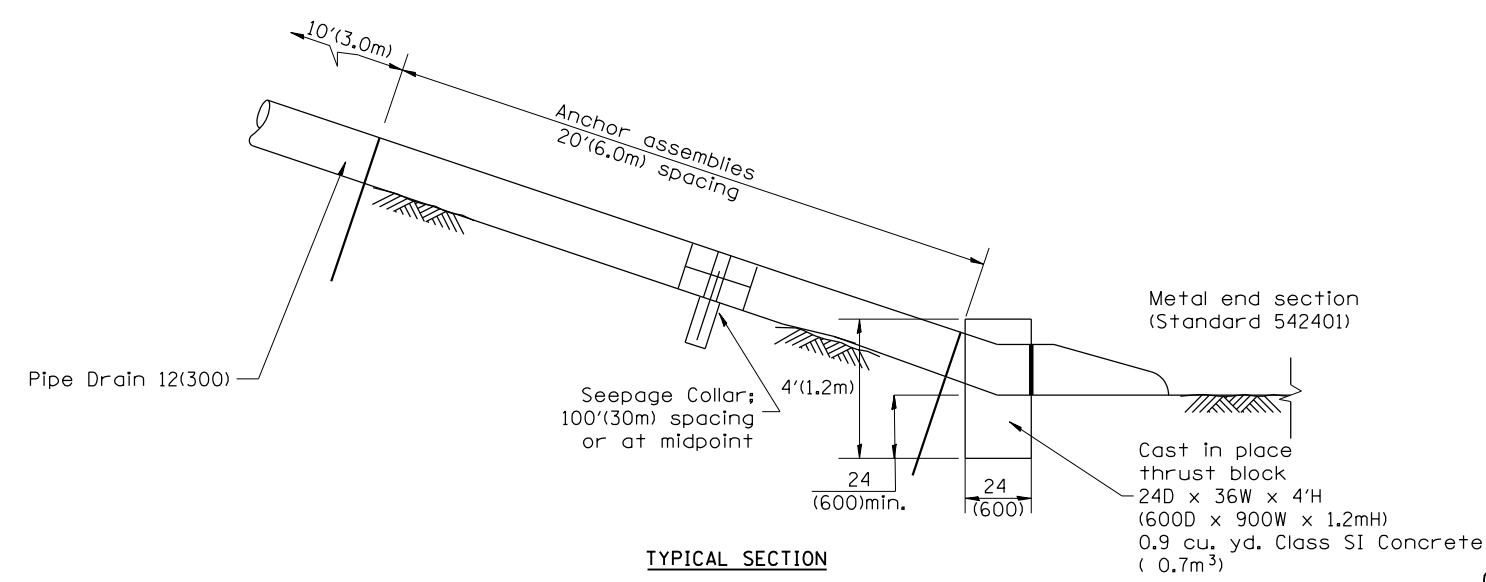


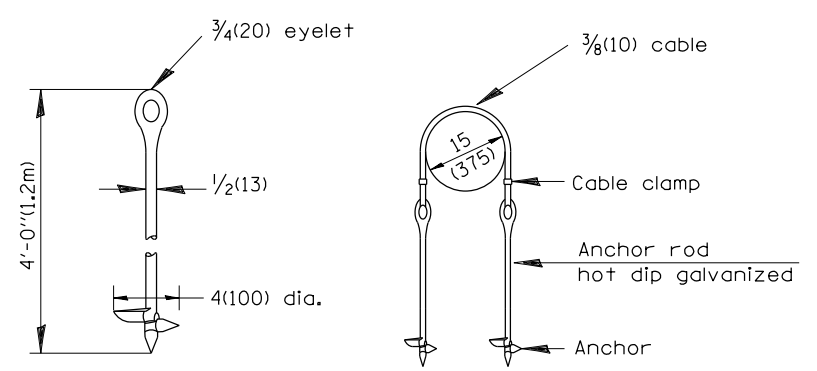
DESIGNER NOTES:
 1. INCLUDE STATE STANDARD 542401.
 2. INCLUDE STATE STANDARDS 610001, 609001 OR 609006, IF APPLICABLE
 3. INCLUDE DISTRICT CADD STANDARDS FOR "GUARDRAIL EROSION CONTROL TREATMENT,"
 "SEEPAGE COLLARS FOR EXPOSED PIPES," AND "PIPE ELBOW."
 4. EXPOSED PIPES ARE FOR SPECIAL USE WHERE AESTHETICS ARE NOT A CONSIDERATION. D.E. APPROVAL IS REQUIRED.



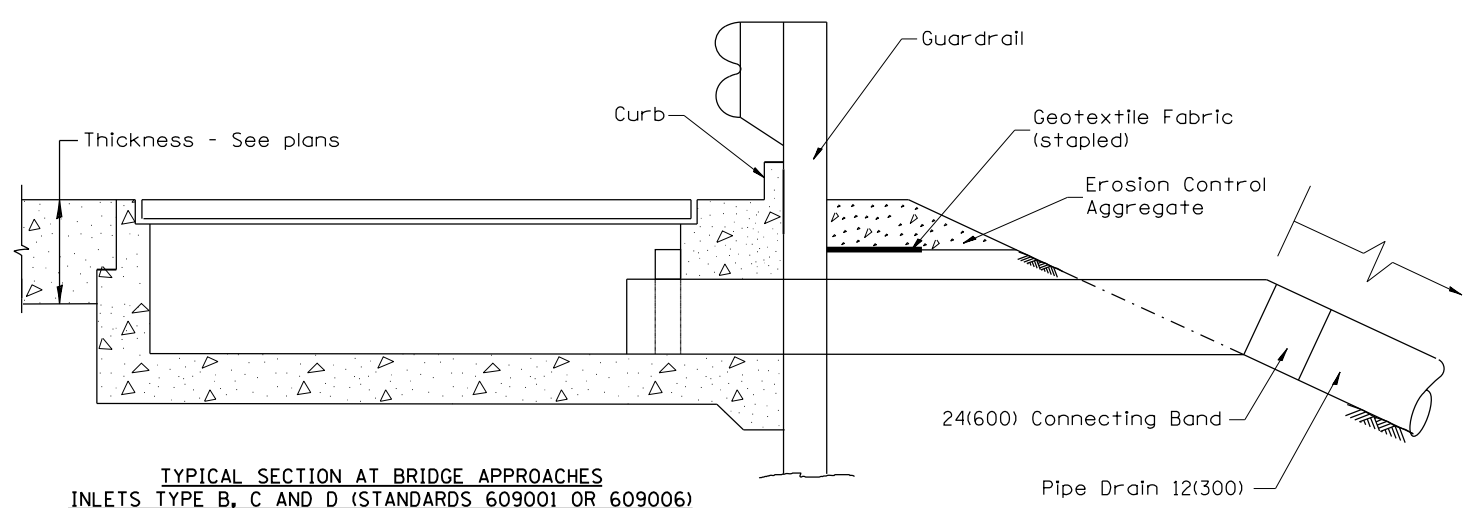
TYPICAL SECTION WITH EROSION CONTROL CURB
 AT INLETS TYPE E AND F (STANDARD 610001)



TYPICAL SECTION



ANCHOR DETAILS



TYPICAL SECTION AT BRIDGE APPROACHES
 INLETS TYPE B, C AND D (STANDARDS 609001 OR 609006)

GENERAL NOTES

1. The material for Pipe Drains shall be pre-coated galvanized corrugated steel culvert pipe in accordance with Article 1006.01(c). All connecting bands shall be pre-coated and have a minimum width of 24(600)
2. An approved mastic material (Article 1055.01) shall be applied to the inside of the connecting bands.

All dimensions are in inches (millimeters) unless otherwise noted.

QUANTITIES	
CALC. BY:	DATE:
CHECKED BY:	DATE:
QUANTITY CALCULATIONS ARE ON FILE AT THE DISTRICT 4 OFFICE; BUREAU OF PROJECT IMPLEMENTATION; DOCUMENTATION SECTION	

01-01-97	RENUM. H-1.03, NEW REVISION BOX, REVISED TITLE BOX,	T.P.
	REVISED DESIGNER NOTES, ADDED CALCULATION BOX	
10-16-06	REVISED TO 2007 SPEC.	M.A.

STATE OF ILLINOIS
 DEPARTMENT OF TRANSPORTATION

SLOPE DRAIN DETAILS FOR EXPOSED PIPES
 NOT TO SCALE
 CADD STD. 601106-D4

F.A. RTE.	SECTION	COUNTY	TOTAL SHEETS	SHEET NO.
CONTRACT NO.				
FED. ROAD DIST. NO. ILLINOIS FED. AID PROJECT				