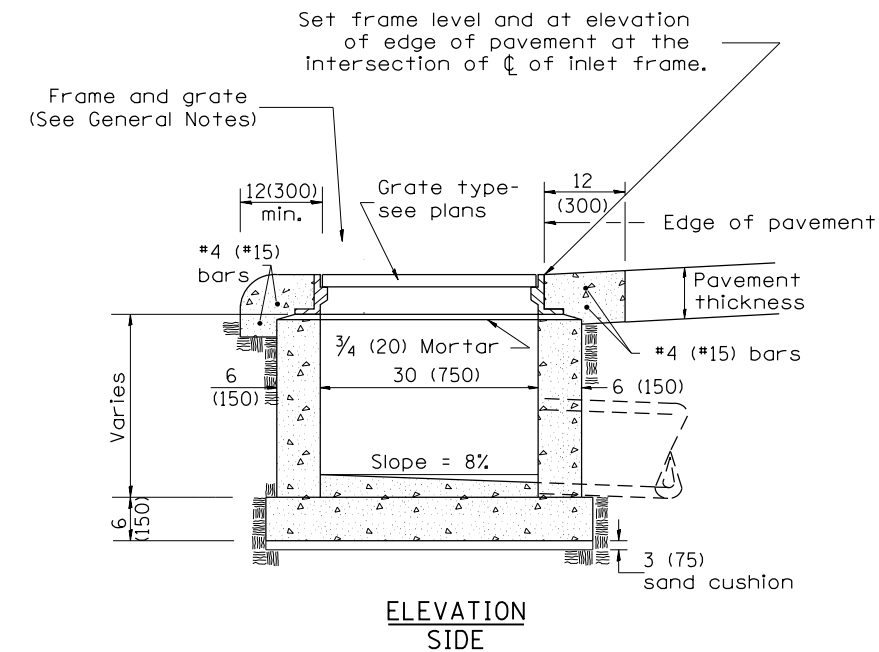
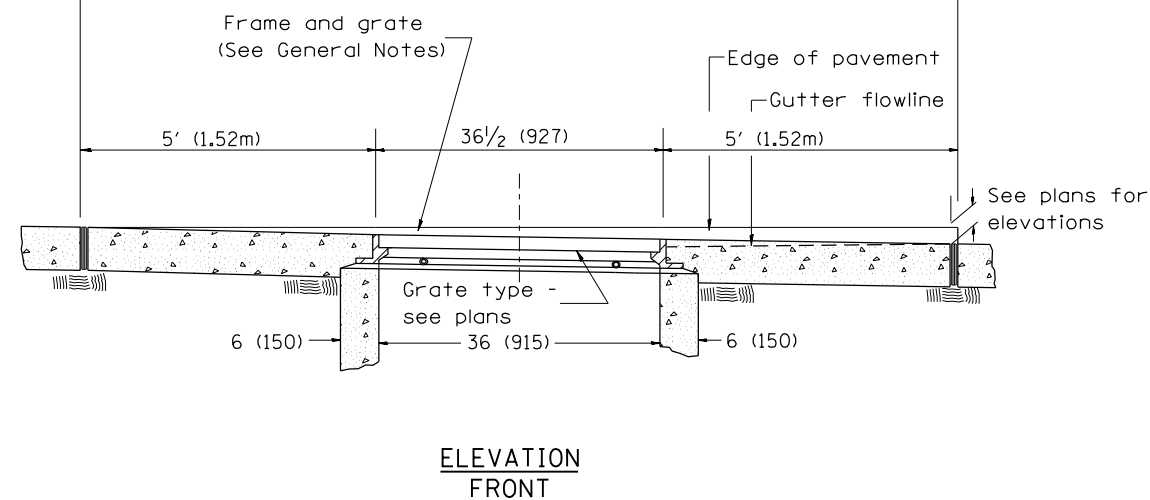
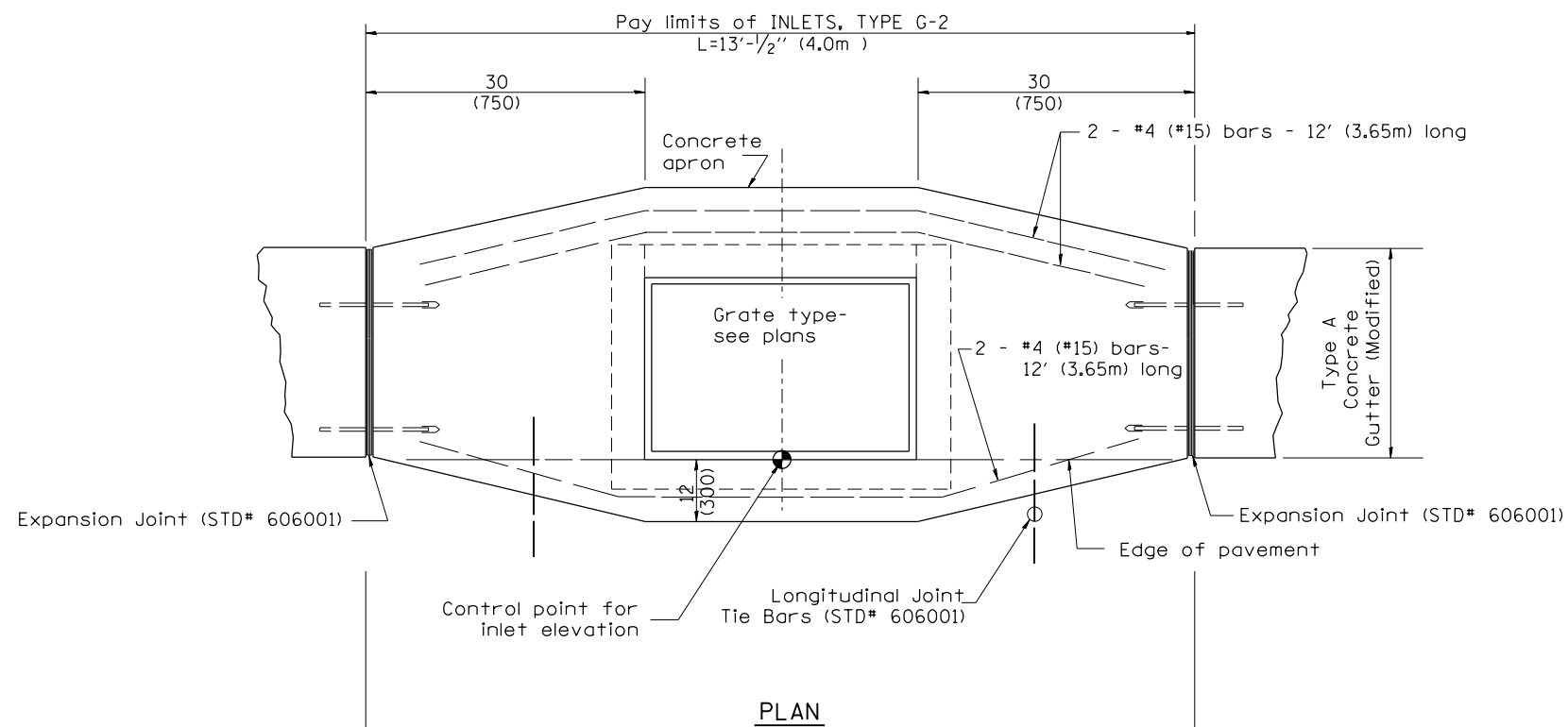


DESIGNER NOTES:

1. Include District CADD Standard 606101 for Type A Gutter (Modified) details.
2. Include State Standard 420001 for pavement joints.
3. Include District CADD Standard for frame and grates and specify grate type in plans.
4. Include District CADD Special Provision. Pay item includes transitional gutter, inlet and frame and grate.
5. The designer should include pavement removal quantities when the apron requires pavement removal.



GENERAL NOTES

1. Inlet construction shall be in accordance with Section 602 of the Standard Specifications.
2. Type A Concrete Gutter (Modified) shall be constructed in accordance with Section 606 of the Standard Specifications.
3. See District CADD Standard 604002-D4 for frame and grate.

All dimensions are in inches (millimeters) unless otherwise noted.

10-99	NEW D-4 CADD STD.	J.A.							
02-00	REVISION TO DESIGNER & GEN NOTES	J.A.							
03-00	REMOVE REFERENCE TO FACE-OF-CURB								
10-16-06	REVISED TO 2007 SPEC.	M.A.							

STATE OF ILLINOIS
DEPARTMENT OF TRANSPORTATION

INLETS, TYPE G-2

NOT TO SCALE

CADD STD. 602002-D4

F.A. RTE.	SECTION	COUNTY	TOTAL SHEETS	SHEET NO.
CONTRACT NO.				
FED. ROAD DIST. NO. ILLINOIS FED. AID PROJECT				