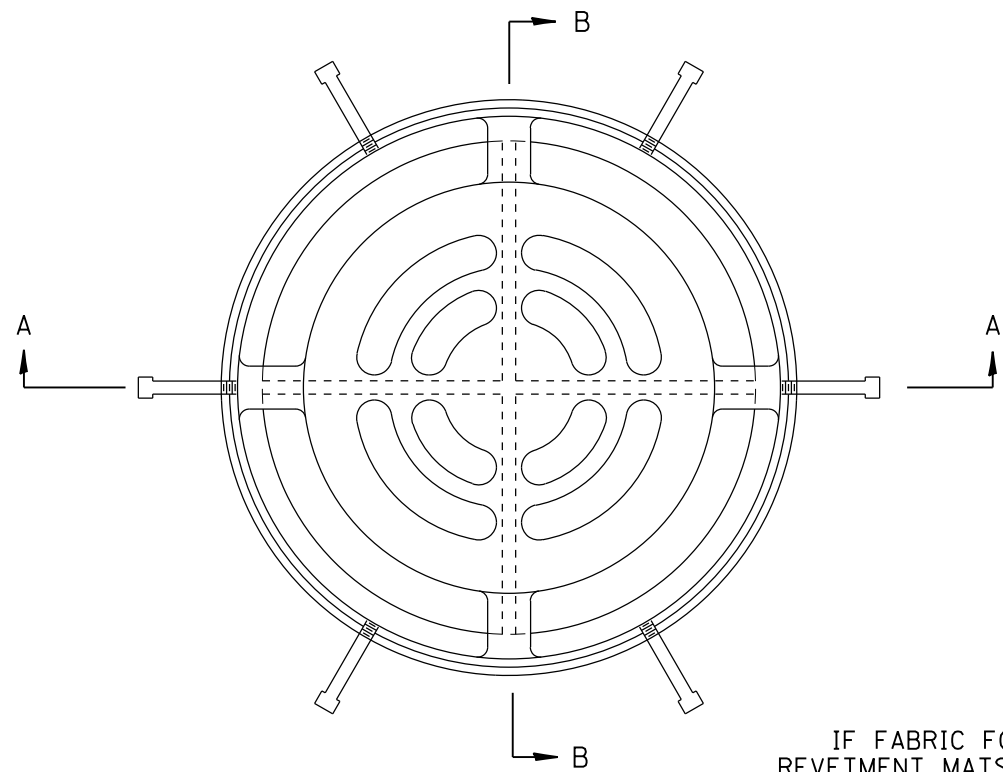
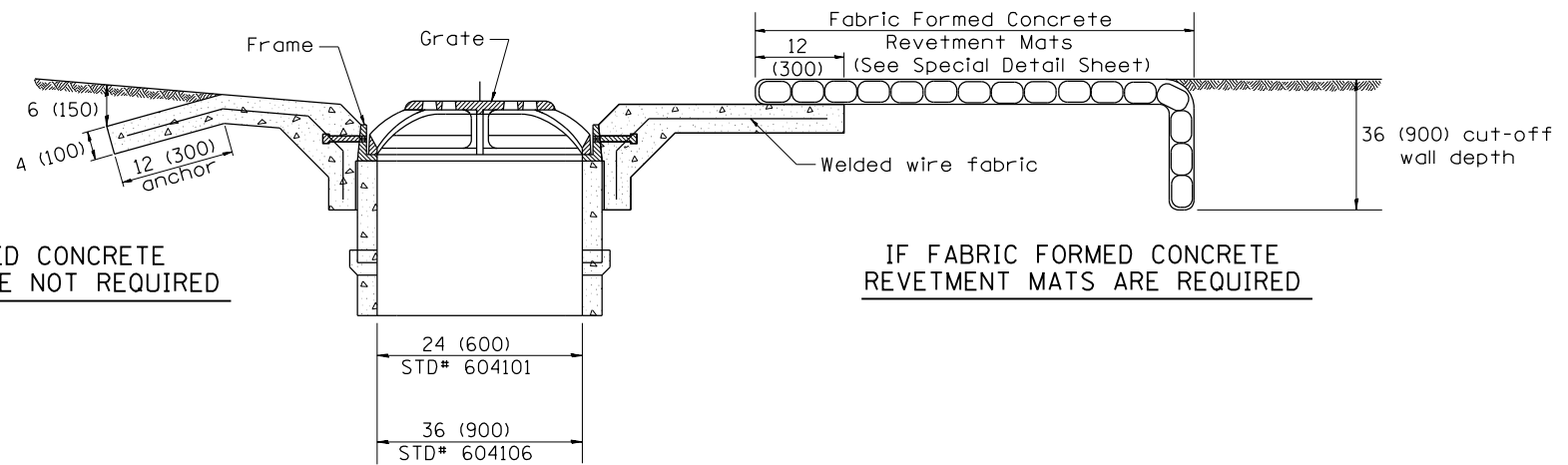


Designer Notes: 1. This is to be used to supplement Standard 604101 and/or 604106.
 2. If fabric formed concrete revetment mats are used, include District CADD drawing.
 3. Include District Special Provision.



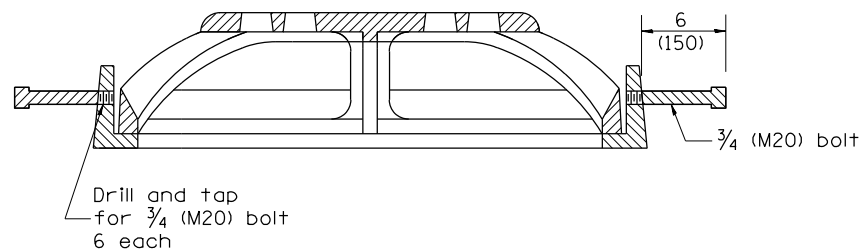
PLAN
(STD# 604101 & 604106)



IF FABRIC FORMED CONCRETE
REVTMENT MATS ARE NOT REQUIRED

IF FABRIC FORMED CONCRETE
REVTMENT MATS ARE REQUIRED

SECTION B-B
(STD# 604101 & 604106)



SECTION A-A
(STD# 604101 & 604106)

GENERAL NOTES

- The applicable portions of Highway Standards 604101 and/or 604106 shall apply, except as noted herein.

All dimensions are in inches (millimeters) unless otherwise noted.

01-01-97	RENUM. B-4.09, NEW REVISION BOX, REVISED	T.P.		
	DESIGNER NOTES			
10-16-06	REVISED TO 2007 SPEC.	M.A.		

STATE OF ILLINOIS
DEPARTMENT OF TRANSPORTATION

MEDIA INLET (604101), SPECIAL AND
MEDIA INLET (604106), SPECIAL

NOT TO SCALE

CADD STD. 604101-D4

F.A. RTE.	SECTION	COUNTY	TOTAL SHEETS	SHEET NO.
CONTRACT NO.				
FED. ROAD DIST. NO. ILLINOIS FED. AID PROJECT				