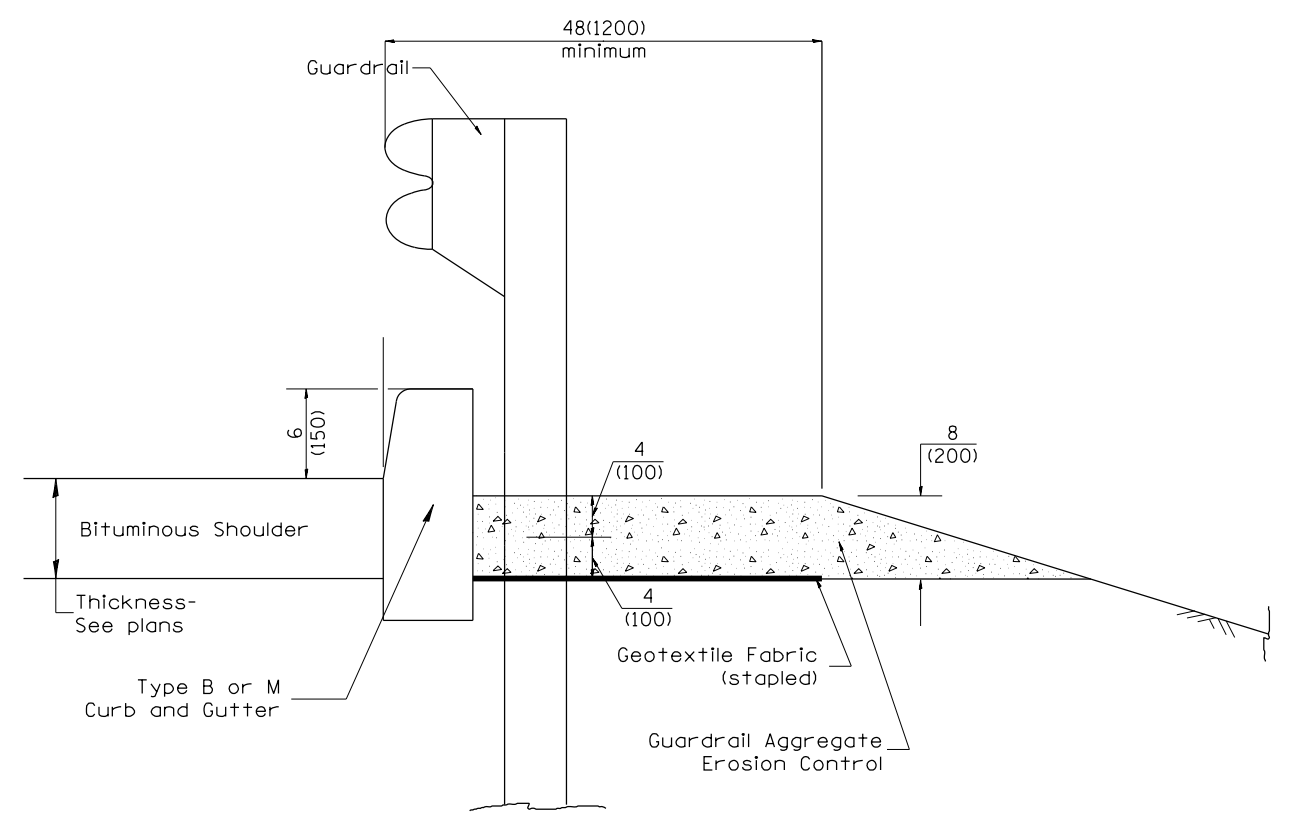
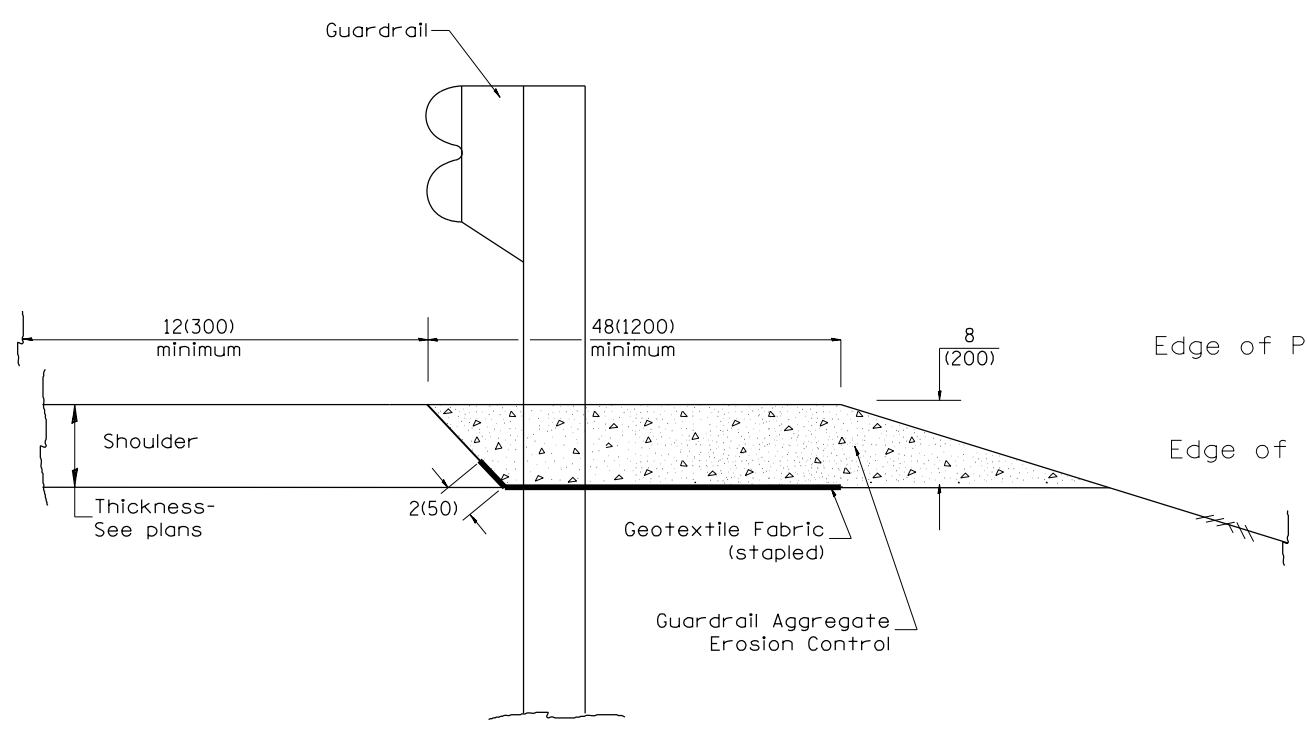


DESIGNER NOTES:  
 1. Consider using a "B" curb pay item at guardrail installations where grades are equal to or greater than 1% and at inlets. (Include District Special Provision)  
 2. Use GUARDRAIL AGGREGATE EROSION CONTROL at guardrail installations where grades are less than 1%. (Include District Special Provision)  
 3. Include State Standards 609001, 609006 or 610001 if applicable.  
 4. Include the following District Cadd Standards as needed: Slope Drains for Exposed Pipes; Slope Drains for Buried Pipes; Seepage Collars for Buried Pipes; Seepage Collars for Exposed Pipes; Concrete Thrust Blocks and Pipe Elbow.  
 5. Include District Special Provision "Aggregate Quality" for projects located in the Western Area of the District - approx. dividing line is IL 97.



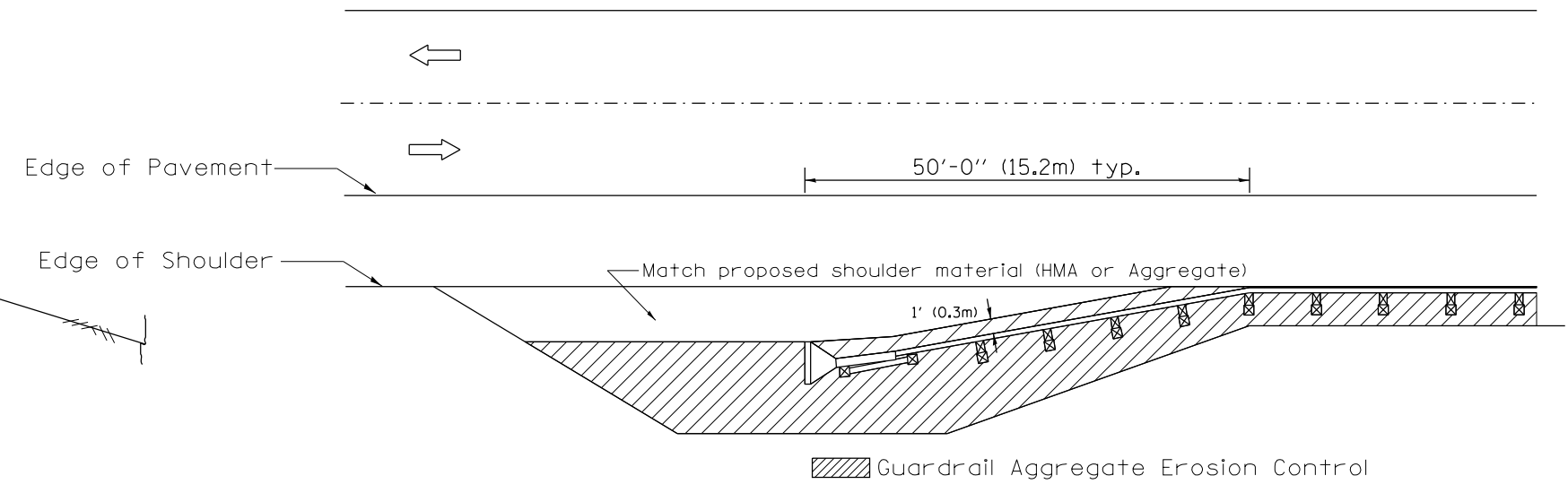
**TYPICAL SECTION WITH EROSION CONTROL CURB**



**TYPICAL SECTION WITHOUT EROSION CONTROL CURB**

**GENERAL NOTES: GUARDRAIL AGGREGATE EROSION CONTROL**

1. This work shall consist of grading as needed, furnishing and installing geotextile fabric and staples, and furnishing, placing and shaping crushed aggregate around and behind Steel Plate Beam Guardrail posts in accordance with Plan Details.
2. Before placing the aggregate and the Geotextile Fabric, weeds and grass shall be removed from the area to be covered.
3. After the area has been prepared, and in a dry condition, the Geotextile fabric shall be placed with a 12(300) minimum overlap. A knife cut for guardrail post installation is necessary.
4. The aggregate shall be deposited, compacted and shaped by either mechanical or hand methods, in a manner reasonably true to line and grade.
5. The Contractor shall have the option of placing the guardrail before or after the Geotextile Fabric and Aggregate are in place. If the guardrail is placed after the Geotextile Fabric and Aggregate, then any voids must be filled and the aggregate returned to line and grade.
6. Materials shall meet the following requirements:
  - A. The crushed aggregate shall be CA1 gradation in accordance with Article 1004.01(c) of the Standard Specifications.
  - B. The Geotextile Fabric shall be nonwoven fabric in accordance with Article 1080.02 of the Standard Specifications.



All dimensions are in inches (millimeters) unless otherwise noted.

01-01-97	RENUM. C-22.01, NEW REVISION BOX	T.P.	3-7-11	Added Detail showing plan view	R.D.
03-01-97	CORRECT STD. NUMBERS IN NOTES PG. 2	J.A.	8-10-12	Revised curb "B" and aggregate	R.D.
11-03-00	CORRECTION TO NOTES	M.A.			
10-16-06	REVISED TO 2007 SPEC.	M.A.			

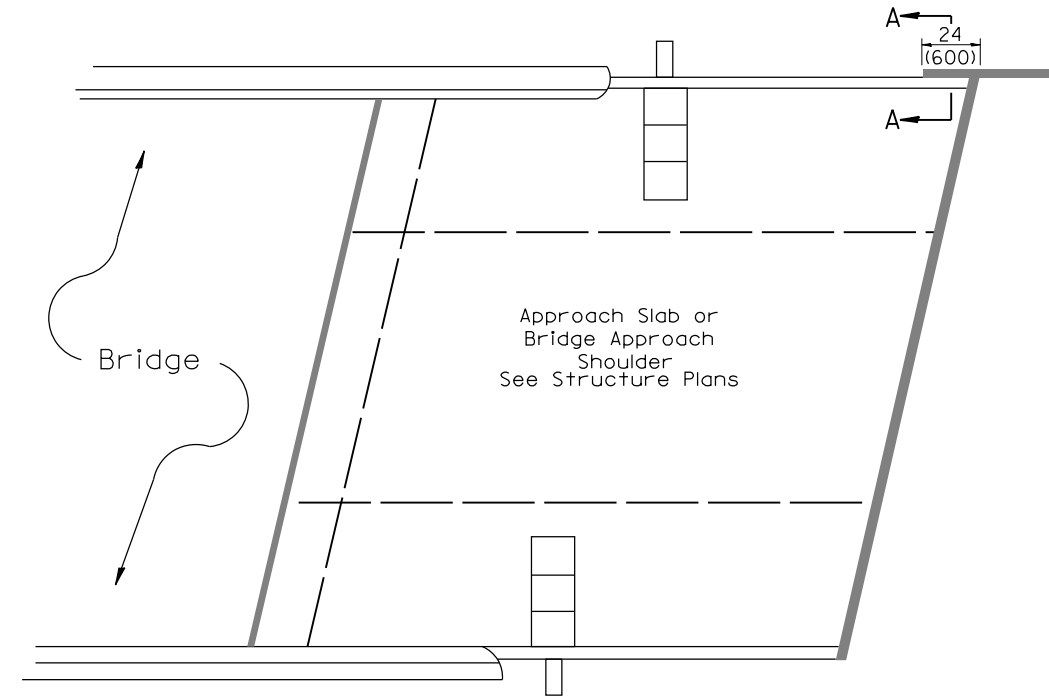
**STATE OF ILLINOIS  
DEPARTMENT OF TRANSPORTATION**

**GUARDRAIL EROSION CONTROL TREATMENTS**

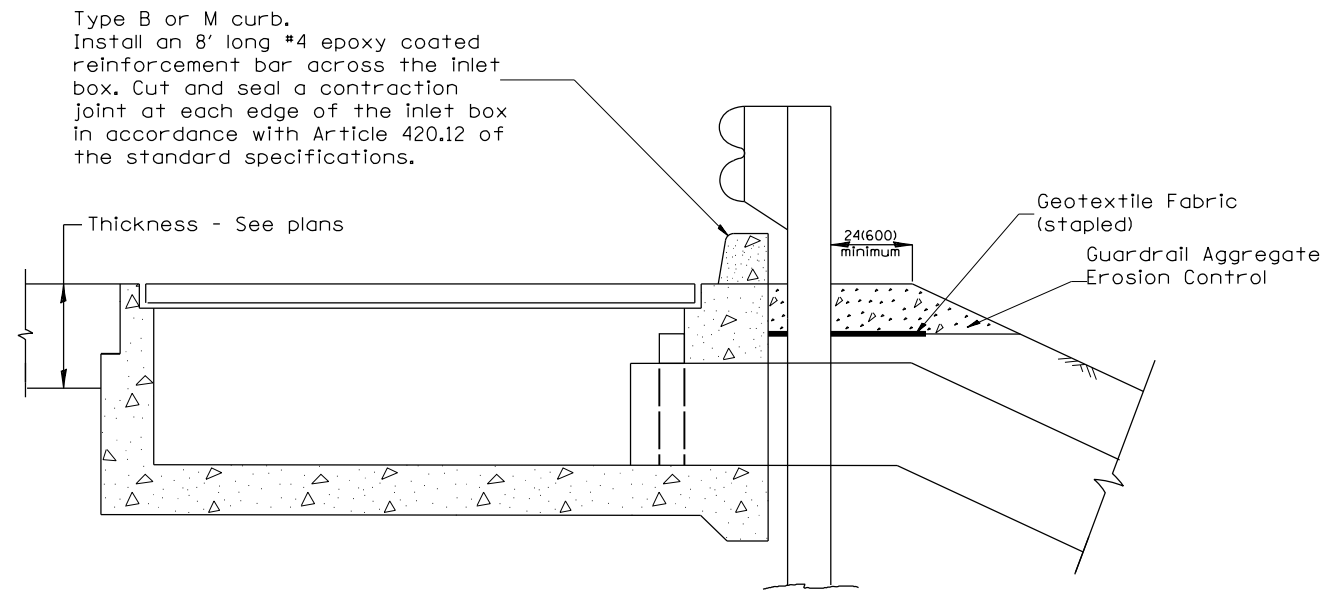
NOT TO SCALE

SHT. 1 OF 2  
CADD STD. 630101-D4

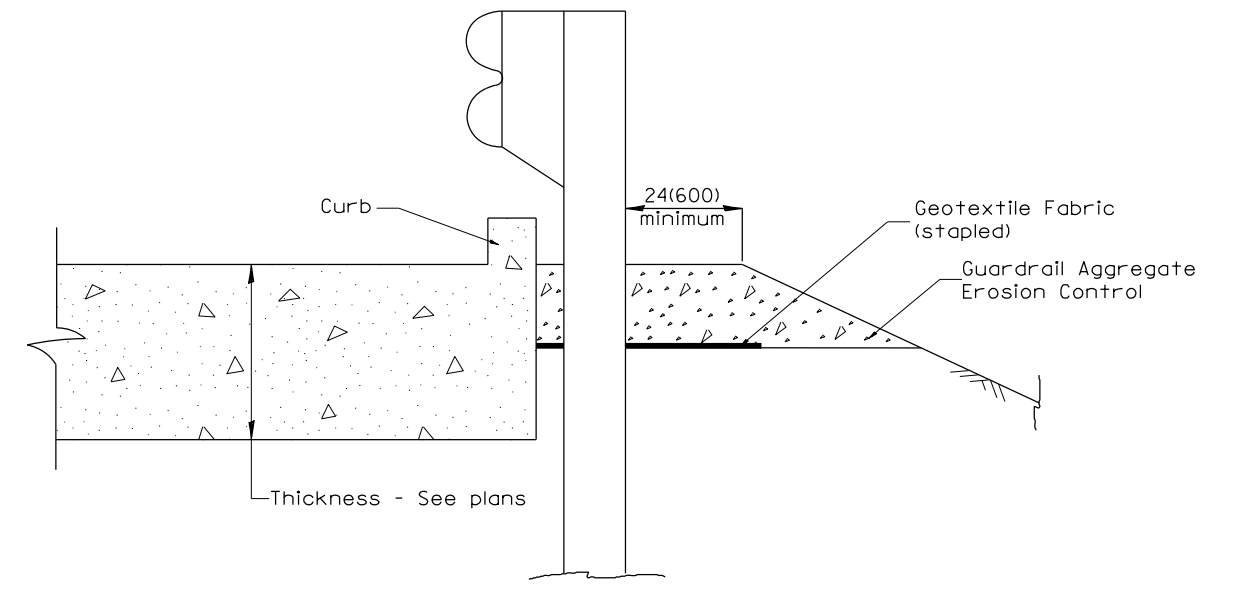
F.A. RTE.	SECTION	COUNTY	TOTAL SHEETS	SHEET NO.
CONTRACT NO.				
FED. ROAD DIST. NO.		ILLINOIS FED. AID PROJECT		



**PLAN VIEW**  
**APPROACH SLAB OR BRIDGE APPROACH SHOULDER**  
 (STANDARD 609001 or 609006)



**TYPICAL SECTION AT INLETS**  
 TYPE E & F (STANDARD 610001)



**SECTION A-A**  
 TYPICAL SECTION WITH BRIDGE APPROACH CURB

All dimensions are in inches (millimeters) unless otherwise noted.

STATE OF ILLINOIS DEPARTMENT OF TRANSPORTATION				GUARDRAIL EROSION CONTROL TREATMENTS				F.A. RTE.	SECTION	COUNTY	TOTAL SHEETS	SHEET NO.
								NOT TO SCALE				SHT. 2 OF 2 CADD STD. 630101-D4
								FED. ROAD DIST. NO. ILLINOIS FED. AID PROJECT				