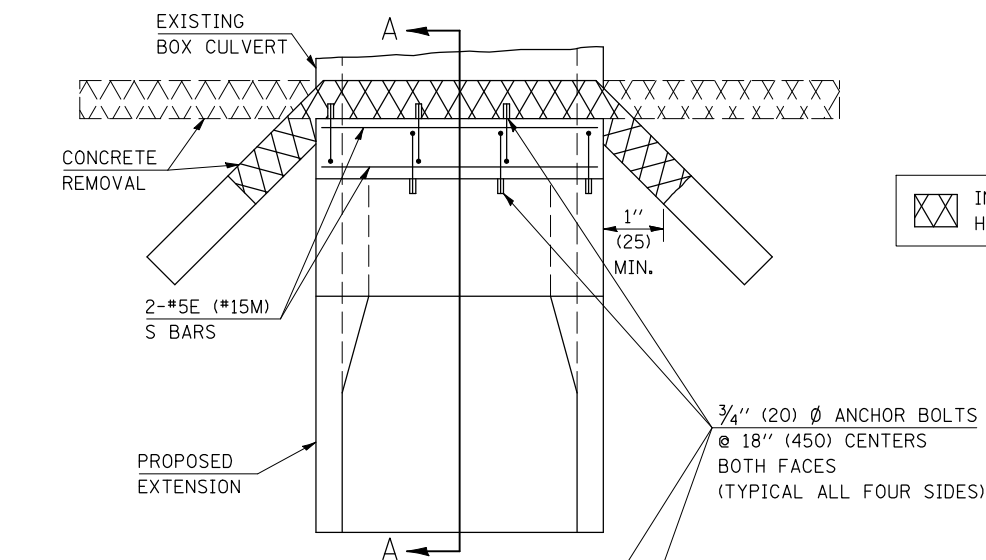
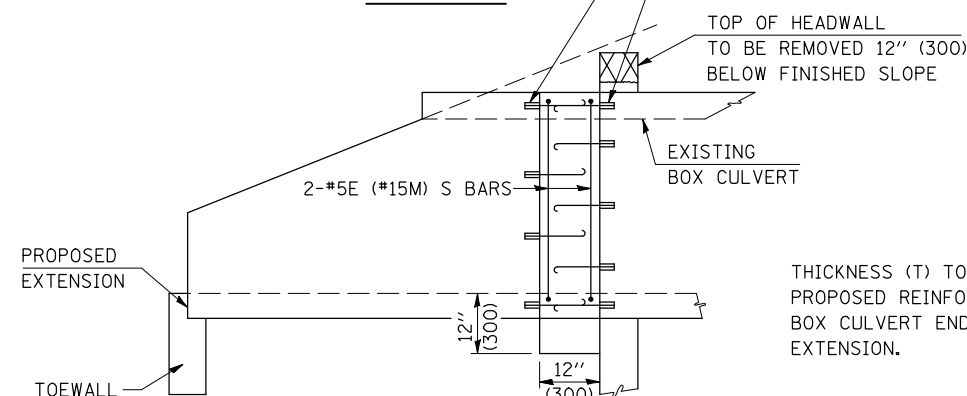


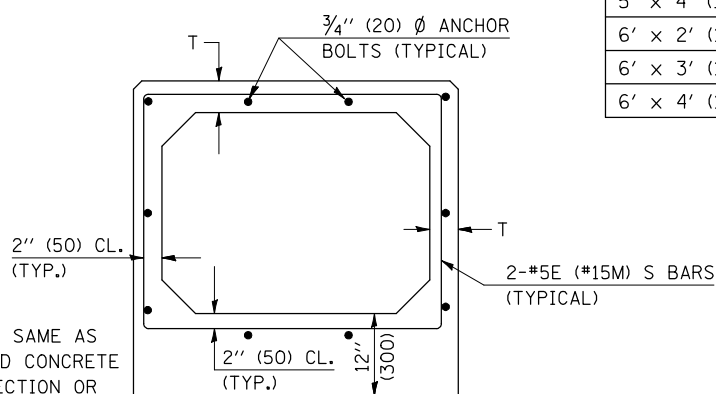
**WITH PRECAST END SECTION**



PLAN VIEW



SECTION A-A



END VIEW

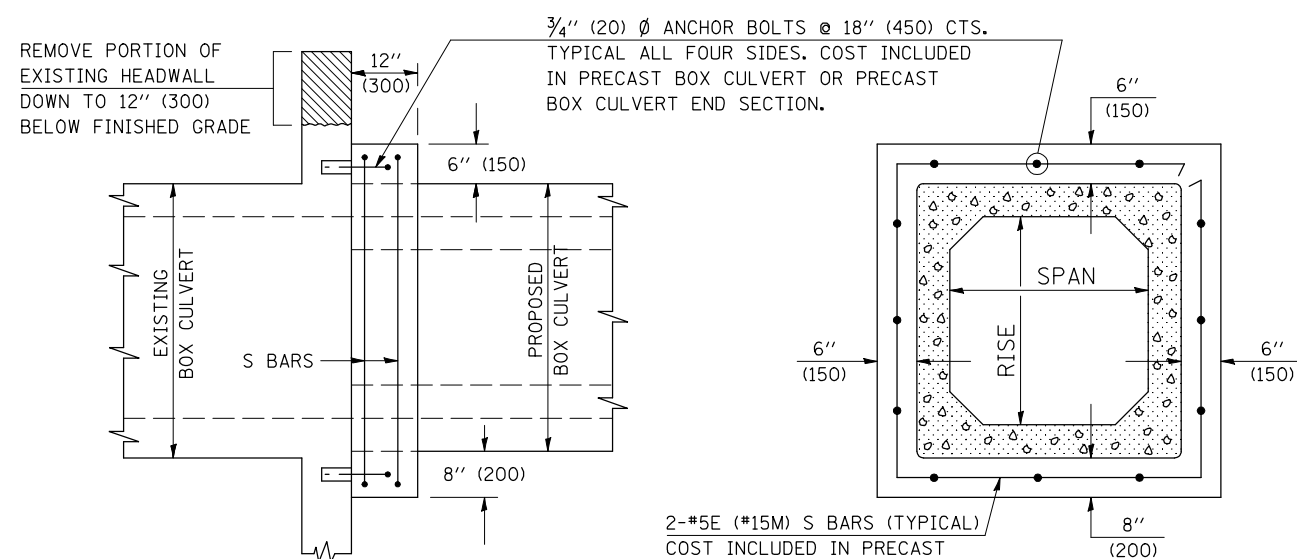
THICKNESS (T) TO BE SAME AS PROPOSED REINFORCED CONCRETE BOX CULVERT END SECTION OR EXTENSION.

TABULATION		
SPAN x RISE	CLASS SI CONC. CU. YD. (m <sup>3</sup> ) (EST.)	EXPANSION BOLTS (EACH)
2' x 2' (600 x 600)	0.26 (0.20)	8
3' x 2' (900 x 600)	0.30 (0.23)	8
3' x 3' (900 x 900)	0.34 (0.26)	8
4' x 2' (1200 x 600)	0.36 (0.28)	10
4' x 3' (1200 x 900)	0.39 (0.30)	10
4' x 4' (1200 x 1200)	0.43 (0.33)	12
5' x 2' (1500 x 600)	0.41 (0.31)	12
5' x 3' (1500 x 900)	0.45 (0.34)	12
5' x 4' (1500 x 1200)	0.49 (0.37)	14
6' x 2' (1800 x 600)	0.47 (0.36)	14
6' x 3' (1800 x 900)	0.51 (0.39)	14
6' x 4' (1800 x 1200)	0.54 (0.41)	16

**GENERAL NOTES**

- ANCHOR BOLTS, MEETING THE REQUIREMENTS OF ARTICLE 1006.09 OF THE STANDARD SPECIFICATIONS, SHALL EXTEND A MINIMUM OF 9" (225 mm) INTO THE NEW CONCRETE.
- REINFORCEMENT BARS SHALL MEET THE REQUIREMENTS OF ARTICLE 1006.10 OF THE STANDARD SPECIFICATIONS.
- CLASS SI CONCRETE SHALL BE USED THROUGHOUT.
- THE PRECAST END SECTION WILL BE PAID FOR AT THE CONTRACT UNIT PRICE EACH FOR BOX CULVERT END SECTIONS OF THE CULVERT NUMBER SPECIFIED WHICH PRICE SHALL INCLUDE THE CONCRETE COLLAR, ANCHOR BOLTS, REINFORCEMENT AND TOEWALL IF ANY.
- ANY PRECAST BOX CULVERT BARREL SECTIONS PLACED AS PART OF THE EXTENSION WILL BE IN ACCORDANCE WITH APPLICABLE PORTIONS OF SECTION 540 OF THE SPECIFICATIONS EXCEPT THAT END SECTIONS WILL BE PAID FOR AS STATED ABOVE.

**WITH PRECAST BOX CULVERT**



SIDE VIEW

END VIEW

**GENERAL NOTES**

- THIS WORK SHALL BE IN ACCORDANCE WITH THE APPLICABLE PORTIONS OF SECTIONS 503 AND 540 OF THE STANDARD SPECIFICATIONS, EXCEPT THAT WHEN PRECAST END SECTIONS ARE USED, THE CONCRETE COLLAR, EXPANSION BOLTS, AND REINFORCEMENT BARS SHOWN ON THIS DETAIL SHALL BE INCLUDED IN THE PAY ITEM FOR BOX CULVERT END SECTIONS.
- WHEN CAST-IN-PLACE END SECTIONS ARE USED, THE VARIOUS ITEMS FOR CONCRETE BOX CULVERTS, REINFORCEMENT BARS, AND EXPANSION BOLTS WILL BE COMPUTED AND INCLUDED IN THE PLAN QUANTITIES FOR THESE PAY ITEMS.

Note: All dimensions are in INCHES (millimeters) unless otherwise shown.

**DISTRICT 5 DETAIL NO. 5400AAAA**

FILE NAME =	USER NAME = craige	DESIGNED -	REVISED - 12/06
ct:\pw\work\p\WIDOT\CRAIGRE\d0101509\5400	aaa.dgn	DRAWN -	REVISED -
	PLOT SCALE = 40.0000' / IN.	CHECKED -	REVISED -
	PLOT DATE = 1/7/2010	DATE -	REVISED -

**STATE OF ILLINOIS  
DEPARTMENT OF TRANSPORTATION**

**BOX CULVERT EXTENSION**

SCALE: SHEET NO. OF SHEETS STA. TO STA.

F.A. RTE.	SECTION	COUNTY	TOTAL SHEETS	SHEET NO.
CONTRACT NO.				
FED. ROAD DIST. NO. ILLINOIS FED. AID PROJECT				