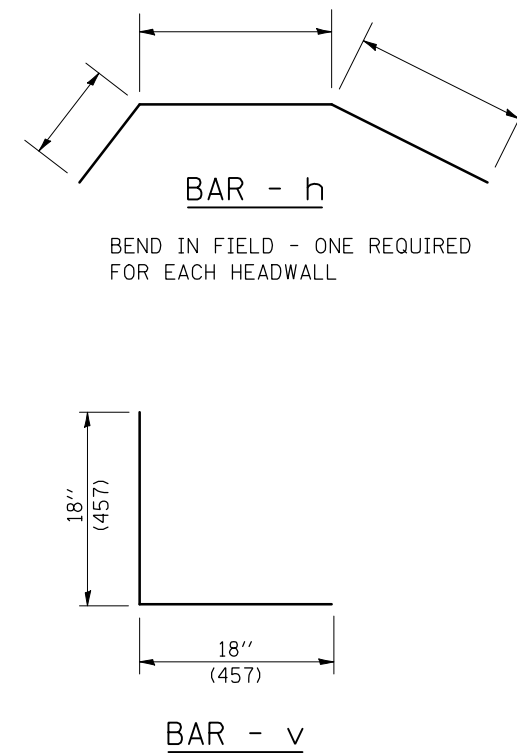
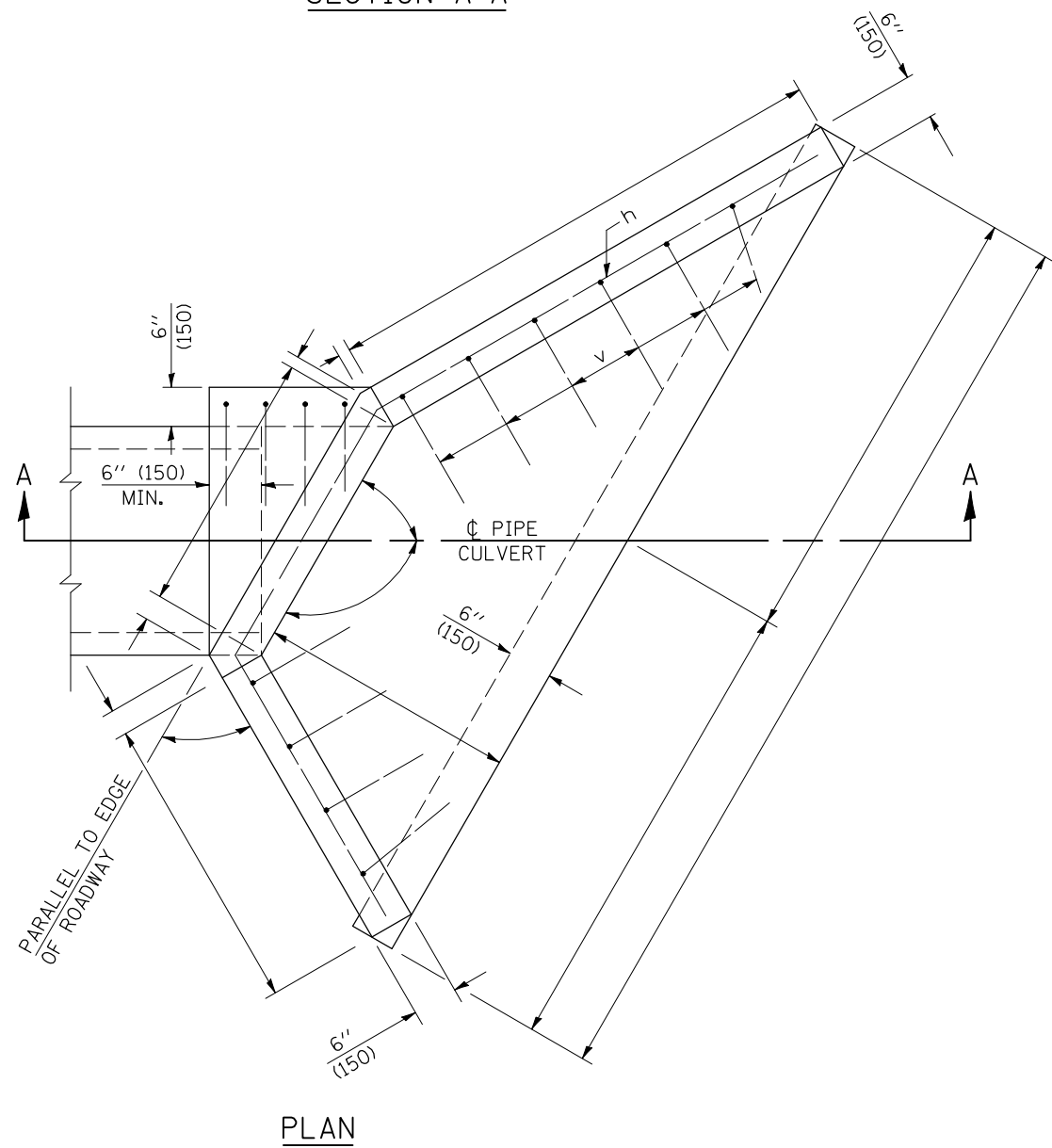


BILL OF MATERIALS

BAR	NO.	SIZE	LENGTH FT. (m)
h		#4 (#10)	
v		#4 (#10)	
CLASS SI CONCRETE HEADWALLS		CU. YDS. (m ³)	
REINFORCEMENT BARS		POUNDS (kg)	

ITEM	UNIT	QUANTITY
CAST-IN-PLACE REINFORCED CONCRETE END SECTIONS	EACH	

NOTE: CLASS SI CONCRETE SHALL BE USED THROUGHOUT. BUILD TOPS OF HEADWALLS PARALLEL TO GRADE LINE.



STATION _____

Note: All dimensions are in INCHES (millimeters) unless otherwise shown.

FILE NAME =	USER NAME = craigre	DESIGNED -	REVISED - 12/06
cr:\pw\work\PWIDOT\CRAIGRE\0101509\542000.dgn		DRAWN -	REVISED -
	PLOT SCALE = 40.0000' / IN.	CHECKED -	REVISED -
	PLOT DATE = 1/7/2010	DATE -	REVISED -

**STATE OF ILLINOIS
DEPARTMENT OF TRANSPORTATION**

REINFORCED CONCRETE END SECTIONS (SKEWED ELLIPTICAL)

SCALE: SHEET NO. OF SHEETS STA. TO STA.

DISTRICT 5 DETAIL NO. 542AAAAA

F.A. RTE.	SECTION	COUNTY	TOTAL SHEETS	SHEET NO.
CONTRACT NO.				
FED. ROAD DIST. NO. ILLINOIS FED. AID PROJECT				