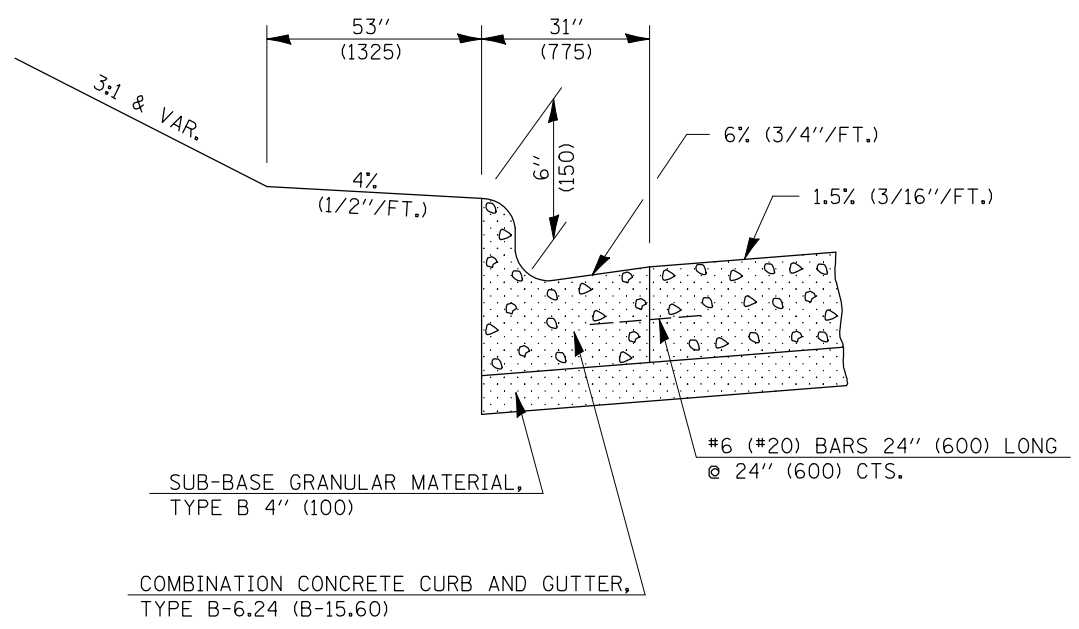
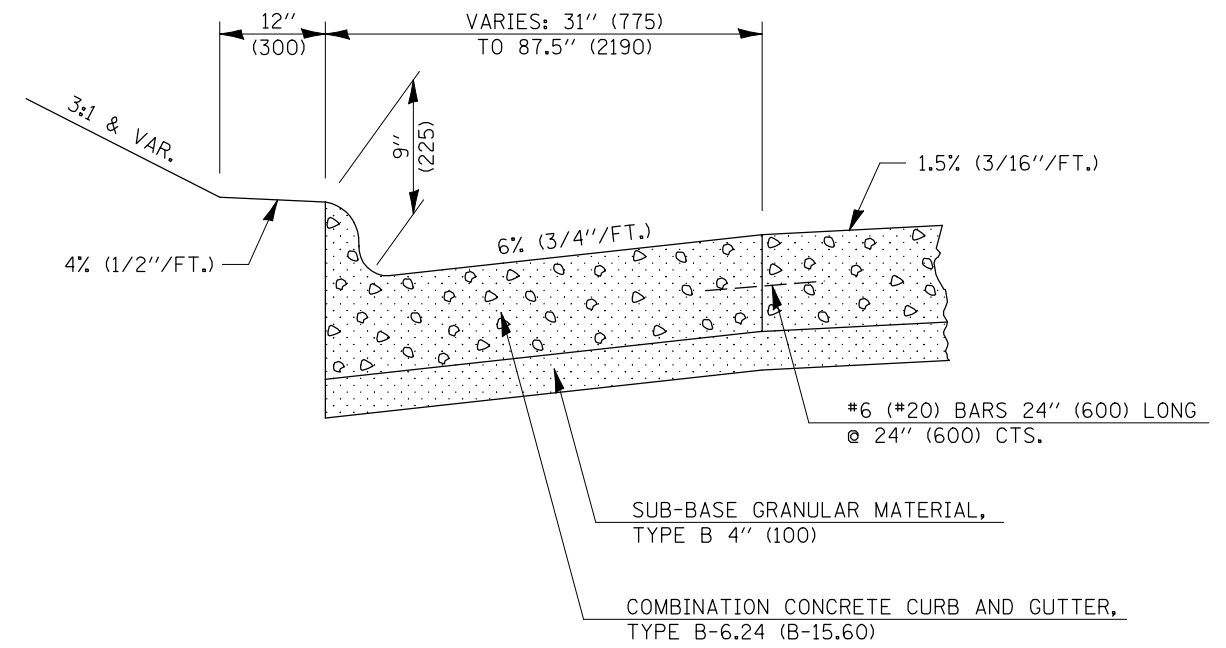


NOTES:
 THIS WORK SHALL BE PAID FOR AT THE CONTRACT UNIT PRICE PER FOOT (METER) FOR COMBINATION CONCRETE CURB AND GUTTER, TYPE B-6.24 (B-15.60) WHICH PRICE SHALL INCLUDE ALL LABOR AND MATERIALS NECESSARY TO CONSTRUCT THE CURB AND GUTTER FLARES.



SECTION A-A



SECTION B-B

Note: All dimensions are in INCHES (millimeters) unless otherwise shown.

FILE NAME =	USER NAME = craigre	DESIGNED -	REVISED - 11/06
ct:\pw\work\PWIDOT\CRAIGRE\0101509\60605000.dgn		DRAWN -	REVISED -
		CHECKED -	REVISED -
		DATE -	REVISED -

STATE OF ILLINOIS
 DEPARTMENT OF TRANSPORTATION

CURB & GUTTER FLARES FOR CATCH BASINS			
SCALE:	SHEET NO.	OF SHEETS	STA. TO STA.

DISTRICT 5 DETAIL NO. 60605000				
F.A. RTE.	SECTION	COUNTY	TOTAL SHEETS	SHEET NO.
CONTRACT NO.				
FED. ROAD DIST. NO. ILLINOIS FED. AID PROJECT				