

FAI RTE	SECTION	COUNTY	TOTAL SHEETS	SHEET NO.
74	D5 CM PATCH 2020-3	VERMILION	8	1
		ALMON	CONTRACT NO. 70E34	

FOR INDEX OF SHEETS, SEE SHEET NO. 2

FOR SUMMARY OF QUANTITIES, SEE SHEETS NO. 3

DEPARTMENT OF TRANSPORTATION

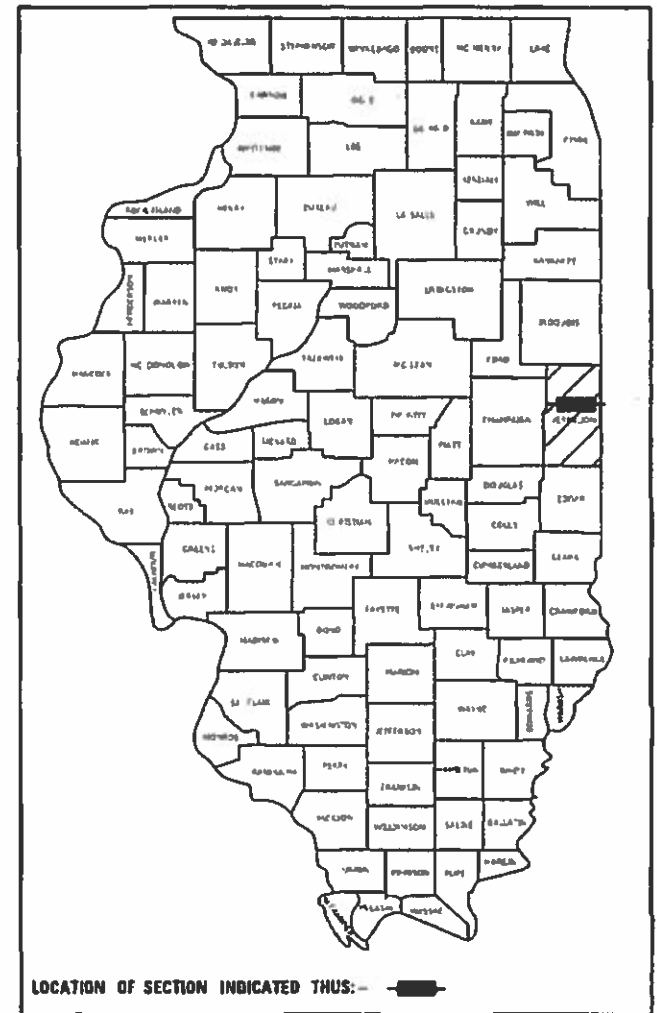
PROPOSED HIGHWAY PLANS

FAI ROUTE 74 (I-74)
 SECTION D5 CM PATCH 2020-3
 PROJECT PATCHING
 VERMILION COUNTY

C-95-019-20

G STREET TO E OF US 150ML 1 IN DANVILLE

D-95-006-20



LOCATION OF SECTION INDICATED THUS: [Symbol]

TRAFFIC DATA

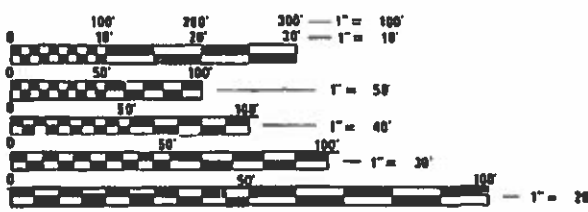
	LEG "A"	LEG "B"
2019 ADT	= 24,400	27,600
PV%	= 68.5%	71.6%
SU%	= 3.6%	3.6%
MU%	= 27.9%	24.6%

TRAFFIC DATA LOCATIONS

LEG "A" = FAI 74 FROM "G" ST TO IL 1/US 150
 LEG "B" = FAI 74 EAST OF IL 1/US 150

FUNCTIONAL CLASSIFICATION
INTERSTATE

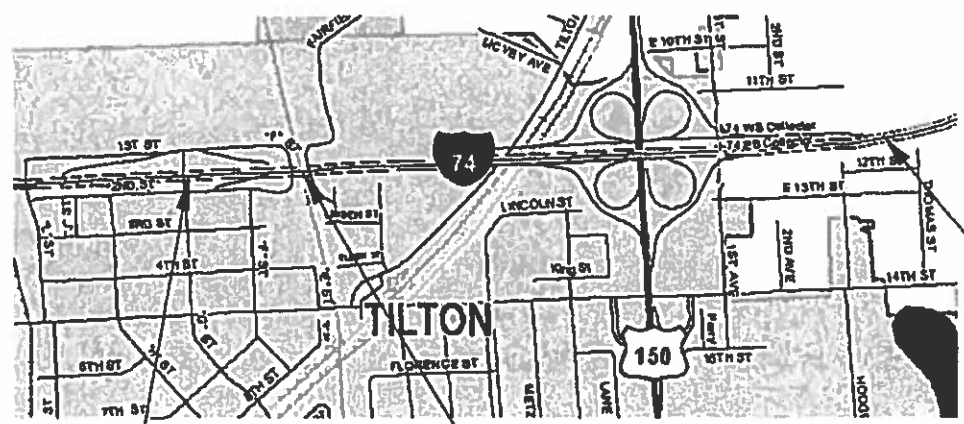
TOWNSHIP:
DANVILLE



FULL SIZE PLANS HAVE BEEN PREPARED USING STANDARD ENGINEERING SCALES. REDUCED SIZED PLANS WILL NOT CONFORM TO STANDARD SCALES. IN MAKING MEASUREMENTS ON REDUCED PLANS, THE ABOVE SCALES MAY BE USED.

J.U.L.I.E.
JOINT UTILITY LOCATION INFORMATION FOR EXCAVATORS
1-800-892-0123
OR 811

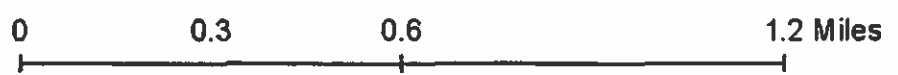
PROJECT ENGINEER: JASON W. STULTS
 SQUAD LEADER: RYAN T. CARROLL
 DESIGNERS: CHRISTINA L. GOSNELL
 TYLER J. PIERSON
 PHONE: (217)-465-4181
 CONTRACT NO. 70E34



BEGIN SECTION
D5 CM PATCH 2020-3
STA. 1892+08.94

END SECTION
D5 CM PATCH 2020-3
STA. 1947+70.00

BRIDGE OMISSION
 SN 092-0013 (WB) STA. 1899+61.79 TO STA. 1902+45.16
 SN 092-0012 (EB) STA. 1899+74.81 TO STA. 1902+59.98



GROSS LENGTH = 5,561.06 FT. = 1.053 MILE
 NET LENGTH = 5,277.69 FT. = 1.000 MILE

STATE OF ILLINOIS
 DEPARTMENT OF TRANSPORTATION

SUBMITTED August 13 2019
[Signature]
 REGIONAL ENGINEER

Oct 4 2019
[Signature]
 ENGINEER OF DESIGN AND ENVIRONMENT

Oct 4 2019
[Signature]
 DIRECTOR OF HIGHWAYS PROJECT IMPLEMENTATION

PRINTED BY THE AUTHORITY OF THE STATE OF ILLINOIS

INDEX OF SHEETS

<u>DESCRIPTION</u>	<u>SHEET NO.</u>
COVER SHEET	1
INDEX OF SHEETS, LIST OF STANDARDS, GENERAL NOTES, COMMITMENTS	2
SUMMARY OF QUANTITIES	3 to 4
TYPICAL CROSS-SECTIONS	5
SCHEDULES OF QUANTITIES	6 to 7
TEMPORARY RUMBLE STRIPS (SPECIAL)	8

LIST OF STANDARDS

<u>STANDARD NO.</u>	<u>DESCRIPTION</u>
000001-07	STANDARD SYMBOLS, ABBREVIATIONS AND PATTERNS
001001-02	AREAS OF REINFORCEMENT BARS
001006	DECIMAL OF AN INCH AND OF A FOOT
420001-09	PAVEMENT JOINTS
420701-03	PAVEMENT WELDED WIRE REINFORCEMENT
442101-09	CLASS B PATCH
701101-05	OFF-RD OPERATIONS, MULTILANE, 15' (4.5 m) TO 24" (600 mm) FROM PAVEMENT EDGE
701106-02	OFF-RD OPERATIONS, MULTILANE, MORE THAN 15' (4.5 m) AWAY
701400-09	APPROACH TO LANE CLOSURE, FREEWAY / EXPRESSWAY
701401-12	LANE CLOSURE, FREEWAY / EXPRESSWAY
701411-09	LANE CLOSURE, MULTILANE, AT ENTRANCE OR EXIT RAMP, FOR SPEEDS ≥ 45 MPH
701426-09	LANE CLOSURE, MULTILANE, INTERMITTENT OR MOVING OPER., FOR SPEEDS ≥ 45 MPH
701428-01	TRAFFIC CONTROL SETUP AND REMOVAL FREEWAY / EXPRESSWAY
701901-08	TRAFFIC CONTROL DEVICES

COMMITMENTS

THERE ARE NO COMMITMENTS FOR THIS CONTRACT.

GENERAL NOTES

G.N.-100A
ELECTRONIC FILES AND/OR ELECTRONIC SURVEY INFORMATION INCLUDING CADD FILES WILL NOT BE AVAILABLE TO THE CONTRACTOR.

G.N.- 442B - PATCHING SCHEDULES
THE PATCHING SCHEDULES INCLUDED IN THE PLANS REPRESENT THE BEST INFORMATION AVAILABLE AT THE TIME OF COMPLETION OF THE PLANS FOR LETTING. VARIATIONS IN LOCATION AND SIZES OF THE FULL-DEPTH AND PARTIAL-DEPTH PATCHES MAY OCCUR.

G.N.- 1004.01
COARSE AGGREGATE GRADATION CA-10 MAY BE USED WHENEVER COARSE AGGREGATE CA-6 IS SPECIFIED IN THE STANDARD SPECIFICATIONS.

MODEL: I:\MODEL\NAMES
FILE: NAMES: P:\pub\mcom\ma\data\illinois\pwr\WIDOT\Documents\IDOT_Offices\IDOT\I\Projects\0570E34\CADDData\CAD\Sheet\0570E34-1-1-Index_CN_Standards.dgn

USER NAME = gosnellc1	DESIGNED -	REVISED -
	DRAWN -	REVISED -
PLOT SCALE = 40.0000 ' / in.	CHECKED -	REVISED -
PLOT DATE = 8/15/2019	DATE -	REVISED -

**STATE OF ILLINOIS
DEPARTMENT OF TRANSPORTATION**

**INDEX OF SHEETS, LIST OF STANDARDS,
COMMITMENTS, & GENERAL NOTES**

SCALE: SHEET 1 OF 1 SHEETS STA. TO STA.

F.A.I. RTE.	SECTION	COUNTY	TOTAL SHEETS	SHEET NO.
74	D5 CM PATCH 2020-3	VERMILION	8	2
				CONTRACT NO. 70E34
		ILLINOIS	FED. AID PROJECT	

SUMMARY OF QUANTITIES

LOCATION OF WORK: F.A.I. 74 (I-74)

INTERSTATE

URBAN

STA. 1892+08.94 TO STA. 1947+70.00

VERMILION COUNTY

FUNDING BREAKOUT: 100% STATE

CONSTRUCTION TYPE CODE: 0006

CODE NO.	ITEM	UNIT	TOTAL QUANTITY
44200050	WELDED WIRE REINFORCEMENT	SQ YD	238.0
44201019	CLASS B PATCHES, TYPE II, 14 INCH	SQ YD	112.0
44201023	CLASS B PATCHES, TYPE III, 14 INCH	SQ YD	7.0
44201025	CLASS B PATCHES, TYPE IV, 14 INCH	SQ YD	62.0
44201053	CLASS B PATCHES, TYPE IV, 17 INCH	SQ YD	152.0
44201055	CLASS B PATCHES, TYPE II, 17 INCH	SQ YD	273.0
44201057	CLASS B PATCHES, TYPE III, 17 INCH	SQ YD	18.0
44201299	DOWEL BARS 1 1/2"	EACH	830.0
44213200	SAW CUTS	FOOT	2,264.0
44213204	TIE BARS 3/4"	EACH	80.0
67100100	MOBILIZATION	LSUM	1.0
70100420	TRAFFIC CONTROL AND PROTECTION, STANDARD 701411	EACH	8.0
70100800	TRAFFIC CONTROL AND PROTECTION, STANDARD 701401	L SUM	1.0
70107025	CHANGEABLE MESSAGE SIGN	CA DA	44.0
* DENOTES SPECIALTY ITEM			

MODEL: s:\MODEL\MHRS
 FILE: MHRS - 70E34\70E34\DOT\Documents\DOT - Offices\Dir\70E34\CADDData\CAD\Sheet\70E34-1-300.dgn

USER NAME = gosnell	DESIGNED -	REVISED -
PLOT SCALE = 40.0000' / in.	DRAWN -	REVISED -
PLOT DATE = 8/15/2019	CHECKED -	REVISED -
	DATE -	REVISED -

**STATE OF ILLINOIS
DEPARTMENT OF TRANSPORTATION**

SUMMARY OF QUANTITIES

SCALE: SHEET 1 OF 2 SHEETS STA. TO STA.

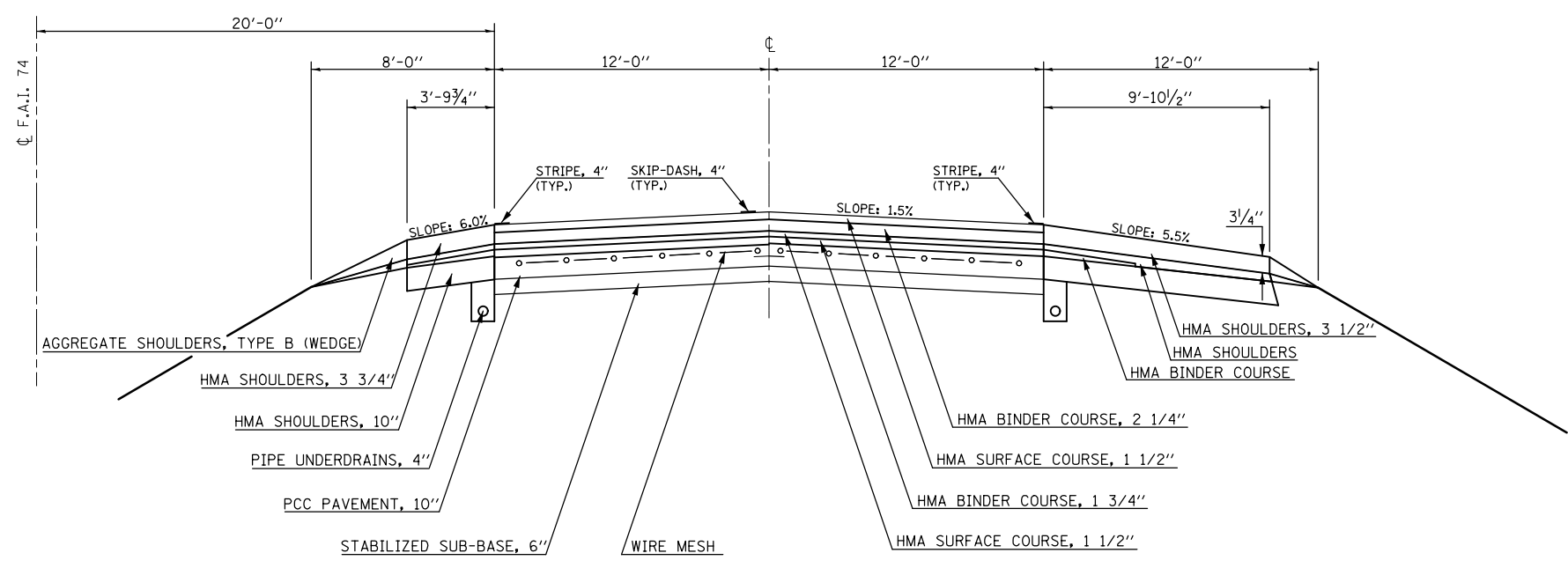
F.A.I. RTE.	SECTION	COUNTY	TOTAL SHEETS	SHEET NO.
74	D5 CM PATCH 2020-3	VERMILION	8	3
			CONTRACT NO. 70E34	
		ILLINOIS FED. AID PROJECT		

1 **PROPOSED TYPICAL CROSS SECTION**

F.A.I. ROUTE 74

STATION 1892+08.94 TO STATION 1908+00.00 ②

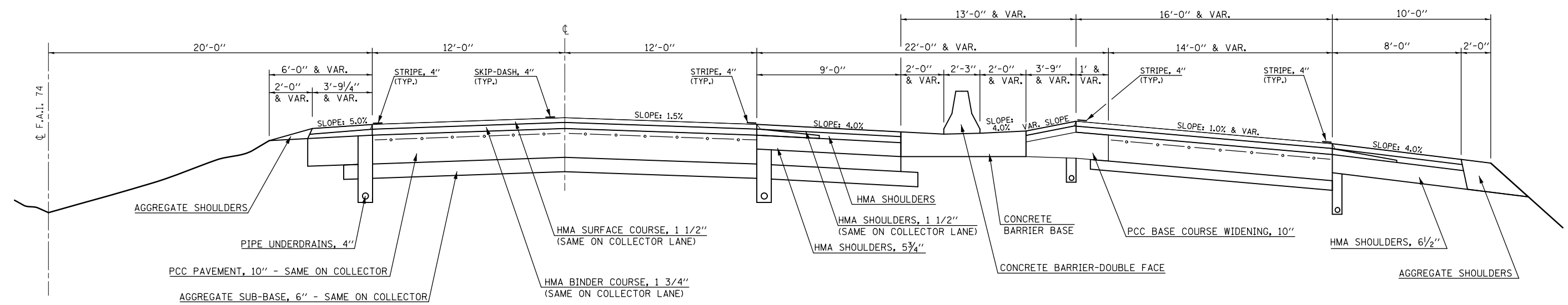
BRIDGE OMISSION
 STA. 1899+61.79 TO STA. 1902+45.16 SN 092-0013 (WB)
 STA. 1899+74.81 TO STA. 1902+59.98 SN 092-0012 (EB)



2 **PROPOSED TYPICAL CROSS SECTION WITH COLLECTOR LANE**

F.A.I. ROUTE 74

STATION ① 1908+00.00 TO STATION 1947+70.00



MODEL: \\MODEL\NAME: FILE: \\NAME: \\PROJECTS\0570E4\CADD\DATA\CAD\PROJECTS\0570E4\01-TYPICAL.dgn

USER NAME = gosnellc1	DESIGNED -	REVISED -
	DRAWN -	REVISED -
PLOT SCALE = 40.0000' / in.	CHECKED -	REVISED -
PLOT DATE = 8/15/2019	DATE -	REVISED -

**STATE OF ILLINOIS
 DEPARTMENT OF TRANSPORTATION**

TYPICAL CROSS-SECTION FAI 74 (I-74)	
SCALE:	SHEET 1 OF 1 SHEETS
STA. 1892+08.94 TO STA. 1947+70.00	

F.A.I. RTE.	SECTION	COUNTY	TOTAL SHEETS	SHEET NO.
74	D5 CM PATCH 2020-3	VERMILION	8	5
CONTRACT NO. 70E34				
ILLINOIS FED. AID PROJECT				

SCHEDULE OF QUANTITIES

CLASS B PATCHING									
DIRECTION	LENGTH (FT)	WIDTH (FT)	PATCH AREA			DOWEL BARS 1 1/2" 44201299 (EACH)	SAW CUTS 44213200 (FT)	TIE BAR 3/4" 44213204 (EACH)	WELDED WIRE REINFORCEMENT 44200050 (SQ YD)
			TYPE II (SQ YD)	TYPE III (SQ YD)	TYPE IV (SQ YD)				
W.B.	60	12	0.0	0.0	80.0	50.0	156.0	30.0	80.0
W.B.	10	12	13.3	0.0	0.0	20.0	56.0	0.0	0.0
W.B.	10	12	13.3	0.0	0.0	20.0	56.0	0.0	0.0
W.B.	60	12	0.0	0.0	80.0	50.0	156.0	30.0	80.0
W.B.	10	12	13.3	0.0	0.0	20.0	56.0	0.0	0.0
W.B.	18	12	0.0	24.0	0.0	30.0	72.0	0.0	24.0
W.B.	10	12	13.3	0.0	0.0	20.0	56.0	0.0	0.0
W.B.	6	12	8.0	0.0	0.0	20.0	48.0	0.0	0.0
W.B.	6	12	8.0	0.0	0.0	20.0	48.0	0.0	0.0
W.B.	6	12	8.0	0.0	0.0	20.0	48.0	0.0	0.0
W.B.	10	12	13.3	0.0	0.0	20.0	56.0	0.0	0.0
W.B.	10	12	13.3	0.0	0.0	20.0	56.0	0.0	0.0
W.B.	10	12	13.3	0.0	0.0	20.0	56.0	0.0	0.0
W.B.	10	12	13.3	0.0	0.0	20.0	56.0	0.0	0.0
W.B.	10	12	13.3	0.0	0.0	20.0	56.0	0.0	0.0
W.B.	10	12	13.3	0.0	0.0	20.0	56.0	0.0	0.0
W.B.	10	12	13.3	0.0	0.0	20.0	56.0	0.0	0.0
W.B.	10	12	13.3	0.0	0.0	20.0	56.0	0.0	0.0
W.B.	10	12	13.3	0.0	0.0	20.0	56.0	0.0	0.0
W.B.	10	12	13.3	0.0	0.0	20.0	56.0	0.0	0.0
W.B.	10	12	13.3	0.0	0.0	20.0	56.0	0.0	0.0
W.B.	10	12	13.3	0.0	0.0	20.0	56.0	0.0	0.0
W.B.	10	12	13.3	0.0	0.0	20.0	56.0	0.0	0.0
W.B.	10	12	13.3	0.0	0.0	20.0	56.0	0.0	0.0
W.B.	10	12	13.3	0.0	0.0	20.0	56.0	0.0	0.0
W.B.	10	12	13.3	0.0	0.0	20.0	56.0	0.0	0.0
PATCHING W.B. SUB-TOTALS			224.0	24.0	160.0	490.0	1368.0	60.0	184.0
44201019 - CLASS B PATCHES, TYPE II, 14 IN (SQ YD) =			65.0						
44201023 - CLASS B PATCHES, TYPE III, 14 IN (SQ YD) =				7.0					
44201025 - CLASS B PATCHES, TYPE IV, 14 IN (SQ YD) =					46.4				
44201055 - CLASS B PATCHES, TYPE II, 17 IN (SQ YD) =			159.0						
44201057 - CLASS B PATCHES, TYPE III, 17 IN (SQ YD) =				17.0					
44201053 - CLASS B PATCHES, TYPE IV, 17 IN (SQ YD) =					113.6				

MODEL: I:\MODEL\MHMS
 FILE: Mhms - Patch\ScheduleofQuantities.dgn
 S:\Projects\105770E\3\CADD\3\CAD\Sheet\DOT - Office\105770E\Mhms - Patch\ScheduleofQuantities.dgn

SCHEDULE OF QUANTITIES

CLASS B PATCHING									
DIRECTION	LENGTH (FT)	WIDTH (FT)	PATCH AREA			DOWEL BARS 1 1/2" 44201299 (EACH)	SAW CUTS 44213200 (FT)	TIE BAR 3/4" 44213204 (EACH)	WELDED WIRE REINFORCEMENT 44200050 (SQ YD)
			TYPE II (SQ YD)	TYPE III (SQ YD)	TYPE IV (SQ YD)				
E.B.	10	12	13.3	0.0	0.0	20.0	56.0	0.0	0.0
E.B.	10	12	13.3	0.0	0.0	20.0	56.0	0.0	0.0
E.B.	10	12	13.3	0.0	0.0	20.0	56.0	0.0	0.0
E.B.	10	12	13.3	0.0	0.0	20.0	56.0	0.0	0.0
E.B.	10	12	13.3	0.0	0.0	20.0	56.0	0.0	0.0
E.B.	10	12	13.3	0.0	0.0	20.0	56.0	0.0	0.0
E.B.	6	12	8.0	0.0	0.0	20.0	48.0	0.0	0.0
E.B.	10	12	13.3	0.0	0.0	20.0	56.0	0.0	0.0
E.B.	20	12	0.0	0.0	26.7	30.0	76.0	10.0	26.7
E.B.	6	12	8.0	0.0	0.0	20.0	48.0	0.0	0.0
E.B.	6	12	8.0	0.0	0.0	20.0	48.0	0.0	0.0
E.B.	10	12	13.3	0.0	0.0	20.0	56.0	0.0	0.0
E.B.	6	12	8.0	0.0	0.0	20.0	48.0	0.0	0.0
E.B.	10	12	13.3	0.0	0.0	20.0	56.0	0.0	0.0
E.B.	6	12	8.0	0.0	0.0	20.0	48.0	0.0	0.0
E.B.	20	12	0.0	0.0	26.7	30.0	76.0	10.0	26.7
PATCHING E.B. SUB-TOTALS			160.0	0.0	53.3	340.0	896.0	20.0	53.3
44201019 - CLASS B PATCHES, TYPE II, 14 IN (SQ YD) =			46.4						
44201023 - CLASS B PATCHES, TYPE III, 14 IN (SQ YD) =				0.0					
44201025 - CLASS B PATCHES, TYPE IV, 14 IN (SQ YD) =					15.5				
44201055 - CLASS B PATCHES, TYPE II, 17 IN (SQ YD) =			113.6						
44201057 - CLASS B PATCHES, TYPE III, 17 IN (SQ YD) =				0.0					
44201053 - CLASS B PATCHES, TYPE IV, 17 IN (SQ YD) =					37.9				

	PATCH AREA						DOWEL BARS 1 1/2" 44201299 (EACH)	SAW CUTS 44213200 (FT)	TIE BAR 3/4" 44213204 (EACH)	WELDED WIRE REINFORCEMENT 44200050 (SQ YD)
	CLASS B TYPE II 14 IN (SQ YD)	CLASS B TYPE III 14 IN (SQ YD)	CLASS B TYPE IV 14 IN (SQ YD)	CLASS B TYPE II 17 IN (SQ YD)	CLASS B TYPE III 17 IN (SQ YD)	CLASS B TYPE IV 17 IN (SQ YD)				
SUB-TOTAL:	111.4	7.0	61.9	272.6	17.0	151.5	830.0	2264.0	80.0	237.3
TOTAL:	112.0	7.0	62.0	273.0	18.0	152.0	830.0	2264.0	80.0	238.0

MODEL: \\MODEL\NAMES
 FILE: \\MODEL\NAMES\PROJECTS\70E34\CADD\DATA\CADD\PROJECTS\70E34\CH-Schedule.dgn

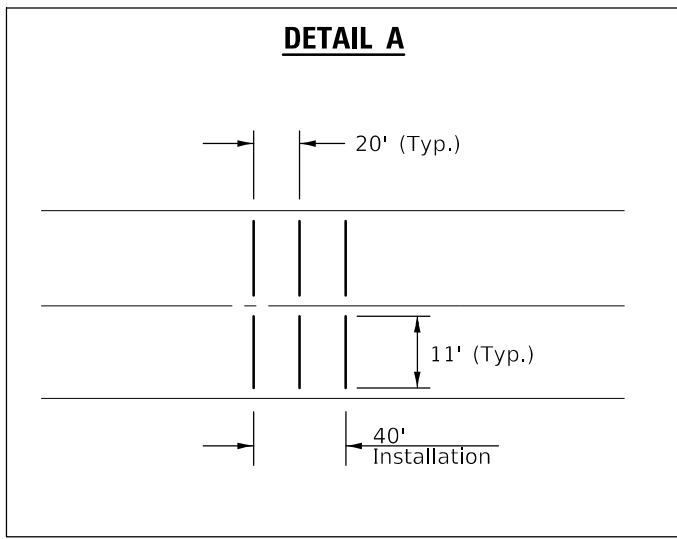
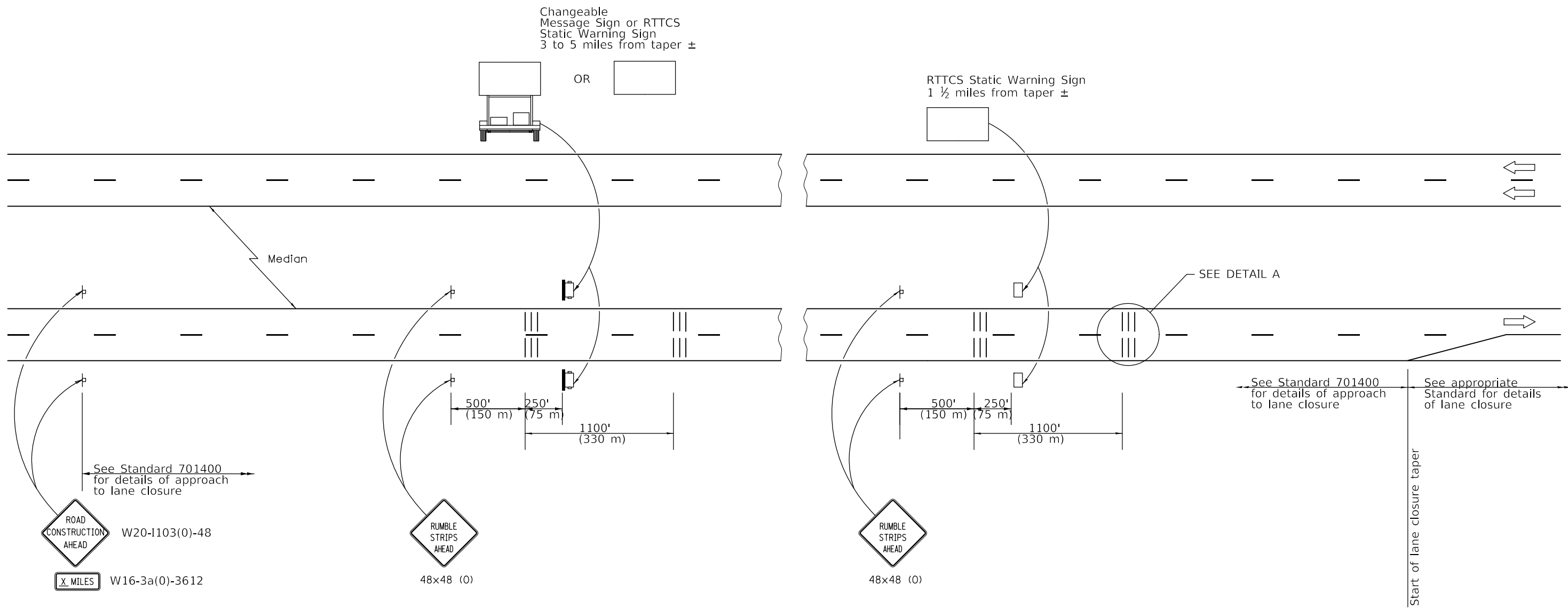
USER NAME = gosnellc1	DESIGNED -	REVISED -
	DRAWN -	REVISED -
PLOT SCALE = 40.0000' / in.	CHECKED -	REVISED -
PLOT DATE = 8/15/2019	DATE -	REVISED -

**STATE OF ILLINOIS
DEPARTMENT OF TRANSPORTATION**

SCHEDULE OF QUANTITIES			
SCALE:	SHEET 2	OF 2	SHEETS
	STA.		TO STA.

F.A.I. RTE.	SECTION	COUNTY	TOTAL SHEETS	SHEET NO.
74	D5 CM PATCH 2020-3	VERMILION	8	7
			CONTRACT NO. 70E34	
		ILLINOIS	FED. AID PROJECT	

DETAIL FOR TEMPORARY RUMBLE STRIPS (SPECIAL)



SYMBOLS

- † Sign
- ||| Temporary Rumble Strips (Special)
- Trailer Mounted Sign
- RTTCS Static Warning Sign

GENERAL NOTES

Remove the Temporary Rumble Strips (Special) prior to the removal of the advanced warning signs.

All dimensions are in inches (millimeters) unless otherwise shown.

MODEL: I:\MODEL\NAME: FILE: NAME: P:\pub\mcomas\data\illinois.gov\PIWDOT\Documents\DOT_Offices\District 5\Projects\0570E-M-RT-Details\Temporary_Rumble_Strips.dgn

USER NAME = gosnellc1	DESIGNED -	REVISED -
PLOT SCALE = 40,0000 ' / in.	DRAWN -	REVISED -
PLOT DATE = 8/15/2019	CHECKED -	REVISED -
	DATE -	REVISED -

STATE OF ILLINOIS
DEPARTMENT OF TRANSPORTATION

DETAIL FOR TEMPORARY RUMBLE STRIPS (SPECIAL)

SCALE: N.T.S. SHEET 1 OF 1 SHEETS STA. TO STA.

F.A.I. RTE.	SECTION	COUNTY	TOTAL SHEETS	SHEET NO.
74	D5 CM PATCH 2020-3	VERMILION	8	8
CONTRACT NO. 70E34				
ILLINOIS FED. AID PROJECT				