

|             |                           |          |                    |           |
|-------------|---------------------------|----------|--------------------|-----------|
| F.A.I. RTE. | SECTION                   | COUNTY   | TOTAL SHEETS       | SHEET NO. |
| VAR         | D3 OVD SIN STR REPL 13-08 | KANKAKEE | 19                 | 1         |
|             |                           | ILLINOIS | CONTRACT NO. 46221 |           |

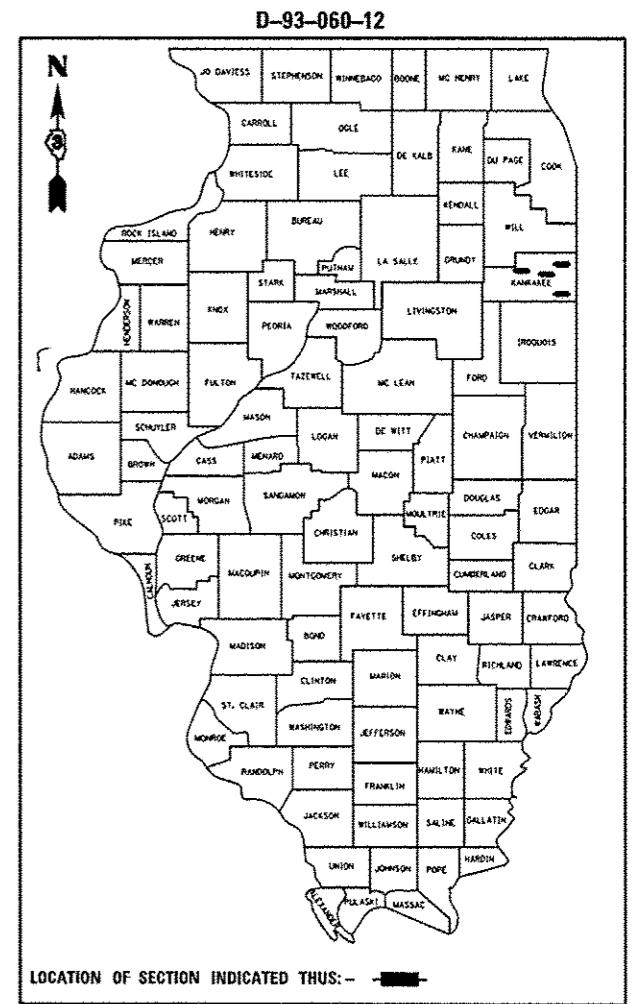
STATE OF ILLINOIS  
DEPARTMENT OF TRANSPORTATION  
DIVISION OF HIGHWAYS  
**PROPOSED  
HIGHWAY PLANS**  
VARIOUS ROUTES  
SECTION D3 OVD SIN STR REPL 13-08

- INDEX OF SHEETS**
1. COVER SHEET
  2. GENERAL NOTES
  3. SUMMARY OF QUANTITIES
  - 4.-5. TYPICAL SECTIONS
  6. SCHEDULES
  7. TEMPORARY SIGNAGE
  - 8.-15. CANTILEVER TRUSS DETAIL
  - 15.-19. SIGN PANEL DETAILS

- STANDARDS**
- 000001-06 STANDARD SYMBOLS, ABBREVIATIONS AND PATTERNS
  - 001001-02 AREAS OF REINFORCEMENT BARS
  - 001006 DECIMAL OF AN INCH AND OF A FOOT
  - 701001-02 OFF-ROAD OPERATIONS 2L, 2W, MORE THAN 15' (4.5 m) AWAY PAVEMENT EDGE
  - 701006-03 OFF-ROAD OPERATIONS 2L, 2W, 15' (4.5 m) TO 24" (600 mm) FROM PAVEMENT EDGE
  - 701101-02 OFF-ROAD OPERATIONS MULTILANE, 15' (4.5 m) TO 24" (600 mm) FROM PAVEMENT EDGE
  - 701106-02 OFF-ROAD OPERATIONS, MULTILANE, MORE THAN 15' (4.5 m) AWAY
  - 701601-07 URBAN LANE CLOSURE MULTILANE 1W, OR 2W, WITH NONTRAVERSABLE MEDIAN
  - 701602-05 URBAN LANE CLOSURE MULTILANE 2W, WITH BIDIRECTIONAL LEFT TURN LANE
  - 701901-02 TRAFFIC CONTROL DEVICES

**OVERHEAD SIGN TRUSS PAINTING, AND MINOR REPAIRS.  
KANKAKEE COUNTY**

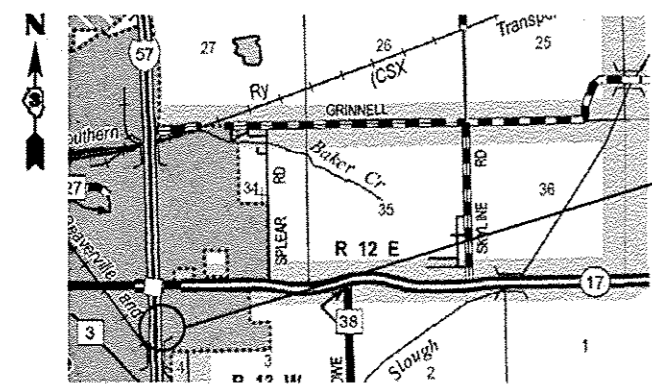
C-60-008-13



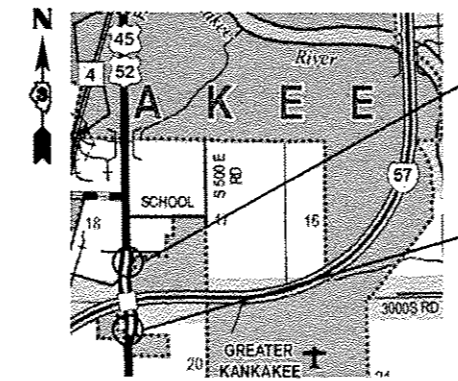
LOCATION OF SECTION INDICATED THUS: — ■ —

**FUNCTIONAL CLASSIFICATION**

| URBAN - PRINCIPAL ARTERIAL |                 | URBAN - INTERSTATE |                  |
|----------------------------|-----------------|--------------------|------------------|
| EAP 330                    | EAP 332         | EAP 840            | EAL ROUTE 57     |
| 2011 ADT = 15100           | 2011 ADT = 9950 | 2011 ADT = 12900   | 2011 ADT = 18100 |
| P.V. = 75.64%              | P.V. = 87.69%   | P.V. = 93.99%      | P.V. = 77.66%    |
| M.U. = 15.81%              | M.U. = 4.52%    | M.U. = 3.10%       | M.U. = 17.26%    |
| S.U. = 8.55%               | S.U. = 7.79%    | S.U. = 2.91%       | S.U. = 5.08%     |

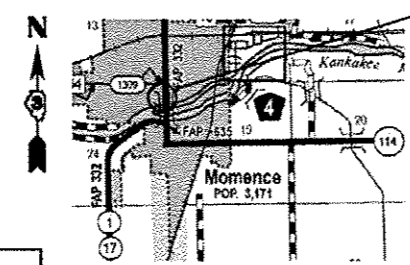


**LOCATION 1 - FAI ROUTE 57**  
CANTILEVER SIGN STRUCTURE  
S.N.# 3C0461057R311.5  
I-57  
(EXISTING STA. 208+43 NBL)

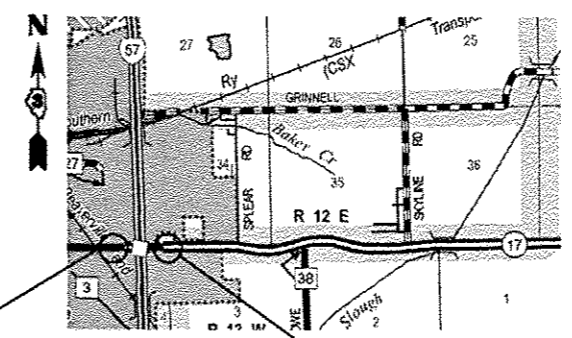


**LOCATION 2 - FAP 840 US 45/52 AT I-57**  
CANTILEVER SIGN STRUCTURE  
S.N.# 3C046U045L004.9  
US 45/52 - NB  
(EXISTING STA. 136+42 RT)

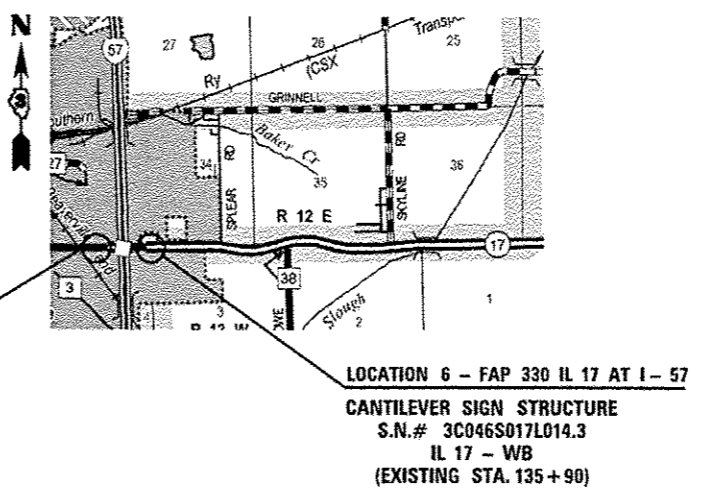
**LOCATION 3 - FAP 840 US 45/52 AT I-57**  
CANTILEVER SIGN STRUCTURE  
S.N.# 3C046U045R005.1  
US 45/52 - SB  
(EXISTING STA. 127+21 LT)



**LOCATION 4 - FAP 332 IL 1/17**  
CANTILEVER SIGN STRUCTURE  
S.N.# 3C046S017L011.2  
IL 1/17 - SB  
(EXISTING STA. 19+93)



**LOCATION 5 - FAP 330 IL 17 AT I-57**  
CANTILEVER SIGN STRUCTURE  
S.N.# 3C046S017R014.1  
IL 17 - EB  
(EXISTING STA. 130+84)



**LOCATION 6 - FAP 330 IL 17 AT I-57**  
CANTILEVER SIGN STRUCTURE  
S.N.# 3C046S017L014.3  
IL 17 - WB  
(EXISTING STA. 135+90)

J.U.L.I.E.  
JOINT UTILITY LOCATION INFORMATION FOR EXCAVATION  
1-800-892-0123  
OR 811

DISTRICT 3 NO. (815) 434-6131  
PROJECT ENGINEER: JOE KANNEL, P.E.  
UNIT CHIEF: RON WOODSHANK  
**CONTRACT NO. 46221**

STATE OF ILLINOIS  
DEPARTMENT OF TRANSPORTATION  
DIVISION OF HIGHWAYS

SUBMITTED *May 23 2012*  
PASSED *Justin Murray*  
ENGINEER OF OPERATIONS

*August 17 2012*  
*John D. Baranzelli, P.E.*  
ACTING ENGINEER OF DESIGN AND ENVIRONMENT

APPROVED *August 17 2012*  
*William R. Taylor*  
ACTING DIRECTOR DIVISION OF HIGHWAYS

**PRINTED BY THE AUTHORITY  
OF THE STATE OF ILLINOIS**