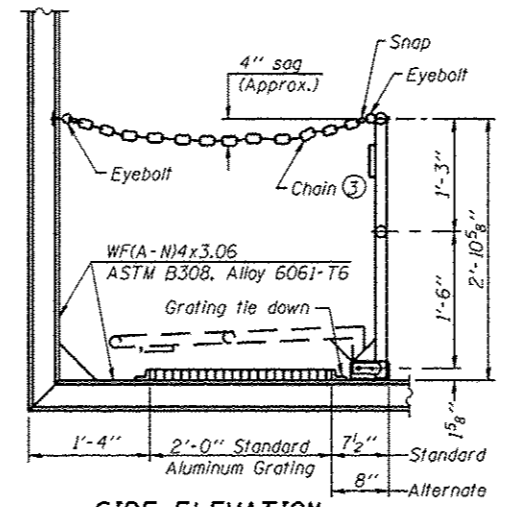
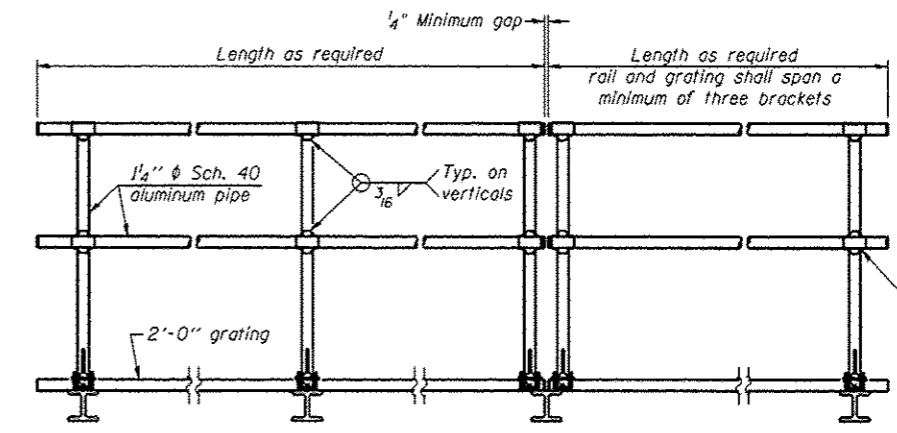


Structure Number	Station	H
3C046S017R014.1	130+84 RT	16'-1"
3C046S017L014.3	135+90 LT	16'-5"



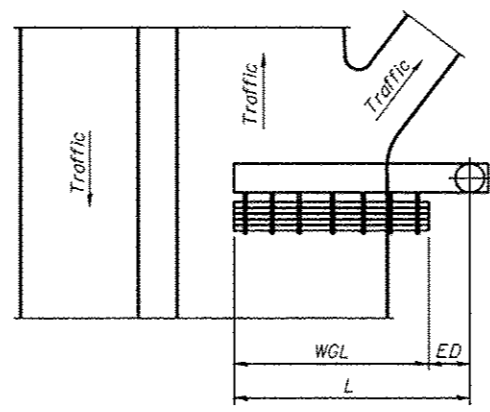
SIDE ELEVATION
(Showing safety chain w/o sign)



HANDRAIL DETAILS
FRONT ELEVATION

② Horizontal handrail member shall be continuous thru fitting. Provide 7/16" φ hole in fitting for 3/8" φ bolt. Field drill 7/16" φ hole in horizontal rail member. Provide locknut and two stainless steel washers for bolt. (Use 5/16" eyebolts in 7/16" φ holes on top rail at ends only.)

Handrail pipe shall be ASTM B241 or B429, Alloy 6063-T6 or Alloy 6061-T6.



PLAN
WALKWAY AND HANDRAIL SKETCH
(Road plan beneath truss varies)

Structure Number	Station	WGL	ED	TGL
3C046S017R014.1	130+84 RT	16.0'	30.0'	16.0'
3C046S017L014.3	135+90 LT	13.0'	28.0'	13.0'

THIS SHEET FOR INFORMATION ONLY
LOCATION 5 & 6