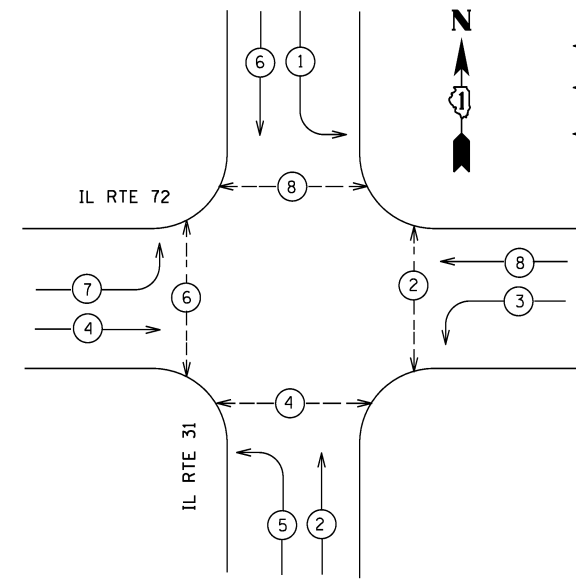
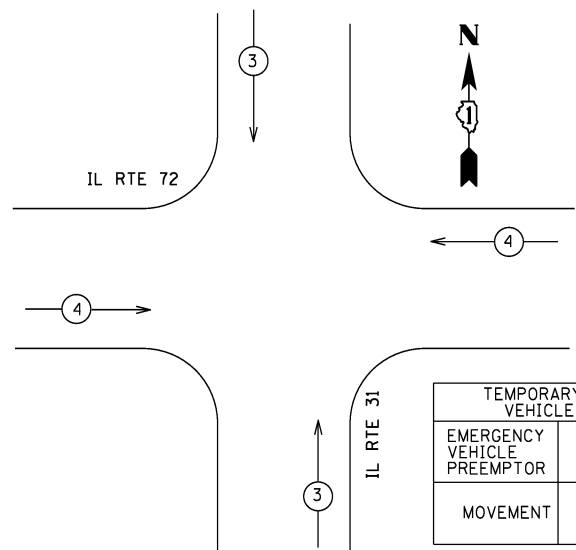


TEMPORARY CONTROLLER SEQUENCE



TEMPORARY PHASE DESIGNATION DIAGRAM



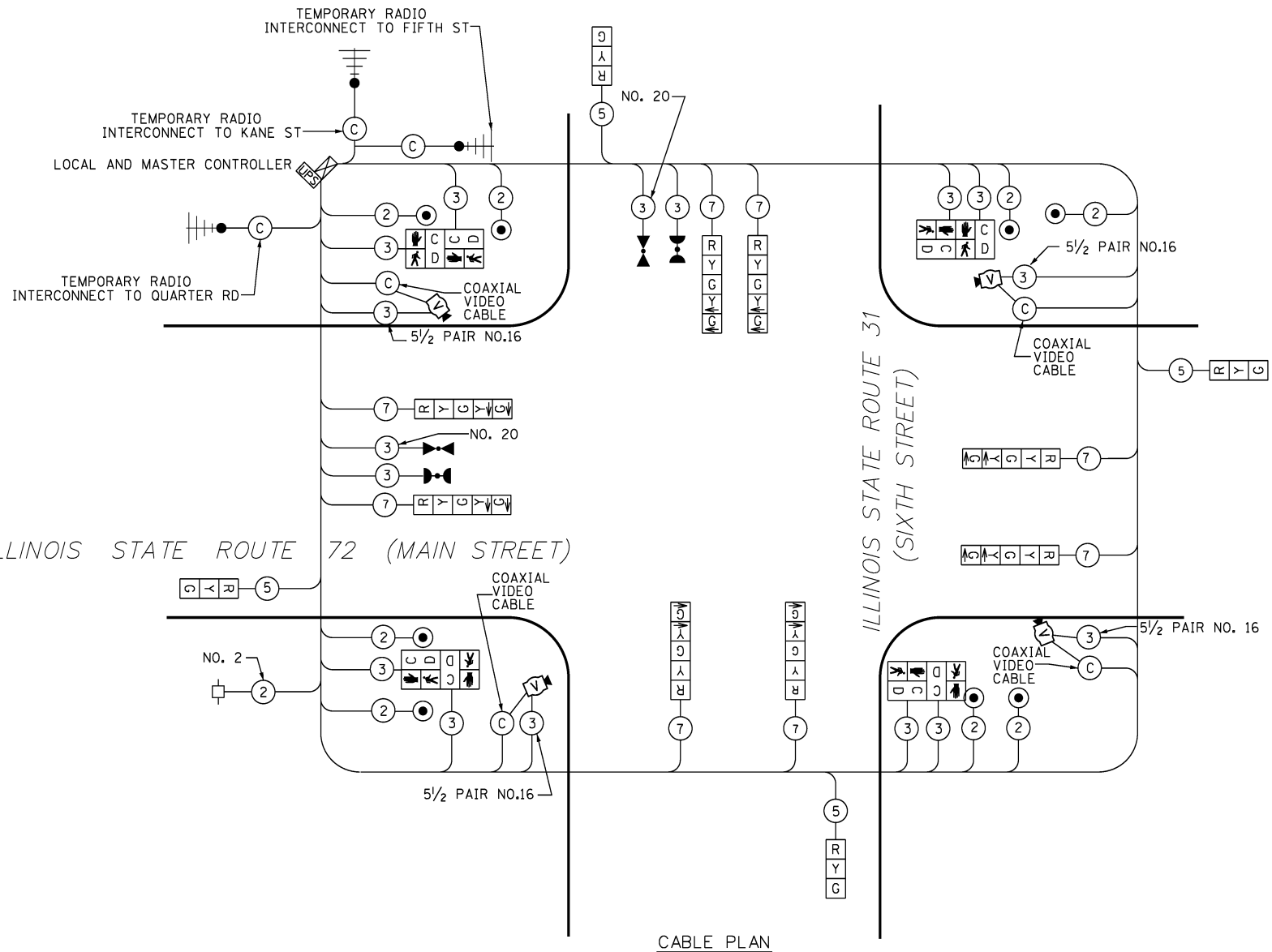
TEMPORARY EMERGENCY VEHICLE PREEMPTOR		
EMERGENCY VEHICLE PREEMPTOR	3	4
MOVEMENT	↓ ↑	← →

TEMPORARY EMERGENCY VEHICLE PREEMPTION SEQUENCE

TRAFFIC SIGNAL INSTALLATION ELECTRICAL SERVICE REQUIREMENTS					TOTAL WATTAGE
TYPE	NO. LAMPS	WATTAGE INCAND.	LED	% OPERATION	
SIGNAL (RED)	12	17		0.50	102.00
(YELLOW)	12	25		0.25	75.00
(GREEN)	12	15		0.25	45.00
ARROW	16	12		0.10	19.20
PED. SIGNAL	8	25		1.00	200.00
CONTROLLER	1	100		1.00	100.00
ILLUM. SIGN				0.05	
STREET LIGHTS		310		0.50	
FLASHER				0.50	

ENERGY COSTS TO: IDOT DIVISION OF HIGHWAYS TOTAL = 541.20  
 DISTRICT 1  
 201 W. CENTER COURT  
 SCHAUMBURG, IL 60196  
 ENERGY SUPPLY CONTACT: TIM TAMASON  
 PHONE: 847-816-5521  
 COMPANY: COMED

DESIGNED	ESI	REVISED	-
DRAWN	ESI	REVISED	-
CHECKED	GJS	REVISED	-
DATE	07/03/12	REVISED	-



CABLE PLAN

NOTE:  
 THE TRAFFIC SIGNAL CONTROLLER EQUIPMENT FOR THIS PROJECT SHALL BE "EAGLE" TO MATCH EXISTING ADJACENT SYSTEMS.

RESTORATION OF WORK AREA:  
 RESTORATION OF THE TRAFFIC SIGNAL WORK AREA SHALL BE INCIDENTAL TO THE RELATED PAY ITEM SUCH AS FOUNDATION, CONDUIT, HANDHOLE, TRENCH AND BACKFILL, ETC., AND NO EXTRA COMPENSATION SHALL BE ALLOWED. ALL ROADWAY SURFACES SUCH AS SHOULDERS, MEDIANS, SIDEWALKS, PAVEMENT, ETC. SHALL BE REPLACED IN KIND. ALL DAMAGE TO MOWED LAWNS SHALL BE REPLACED WITH AN APPROVED SOD, AND ALL DAMAGE TO UNMOWED FIELDS SHALL BE SEEDED IN ACCORDANCE WITH STANDARD SPECIFICATIONS 252 AND 250 RESPECTIVELY.

NOTE:  
 EMERGENCY VEHICLE PREEMPTION EQUIPMENT TO BE OPTICOM PER VILLAGE OF WEST DUNDEE.

STATE OF ILLINOIS DEPARTMENT OF TRANSPORTATION

IL 31 (8TH ST) & IL 72 (MAIN ST):  
 TEMPORARY CABLE PLAN AND TEMPORARY PHASE DESIGNATION DIAGRAM - STAGES 1 & 2  
 SCALE: 1" = 20' SHEET NO. 5 OF 16 SHEETS STA. TO STA.

F.A.U. RTE.	SECTION	COUNTY	TOTAL SHEETS	SHEET NO.
3887	S-N	KANE	153	106
CONTRACT NO. 60A95				
FED. ROAD DIST. NO. 1 ILLINOIS FED. AID PROJECT				

