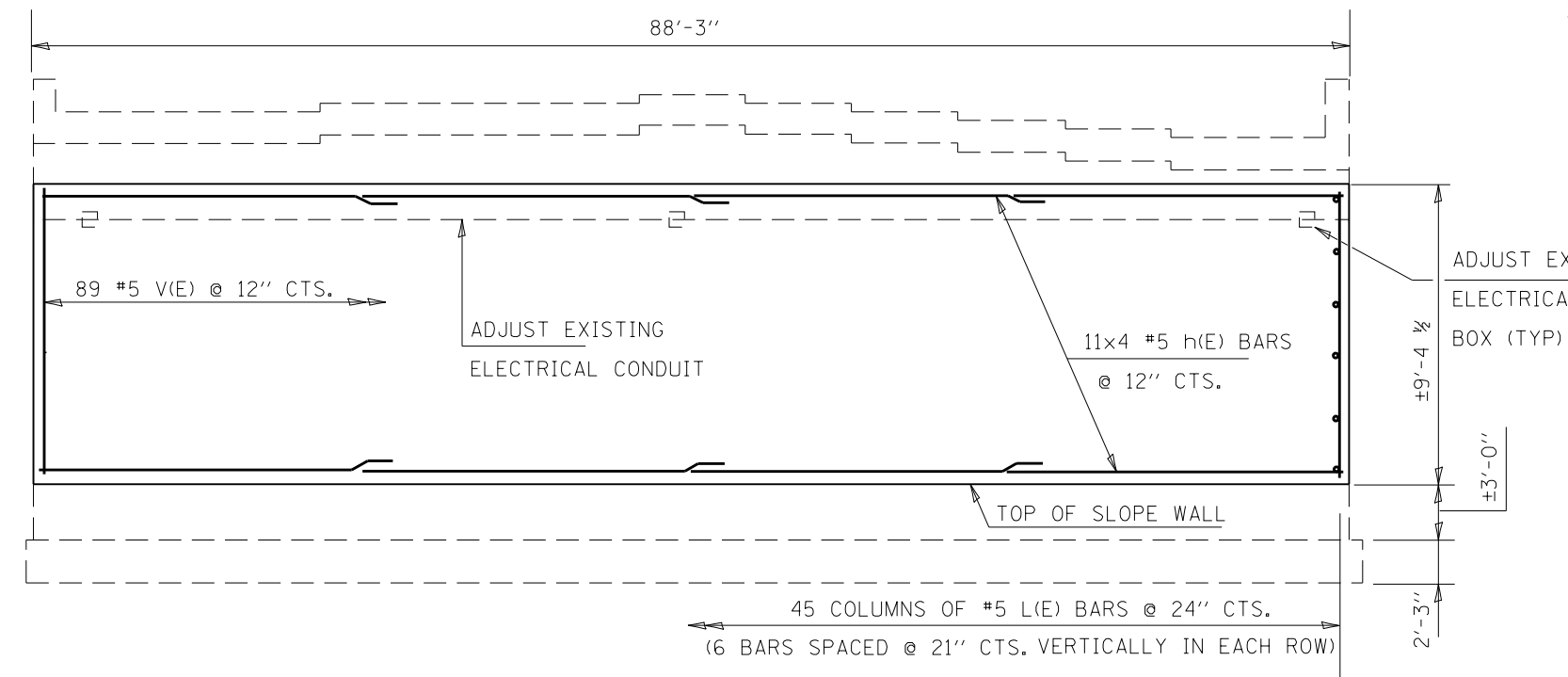
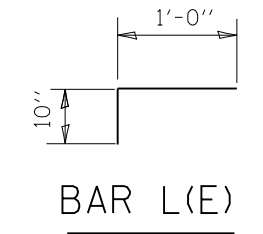


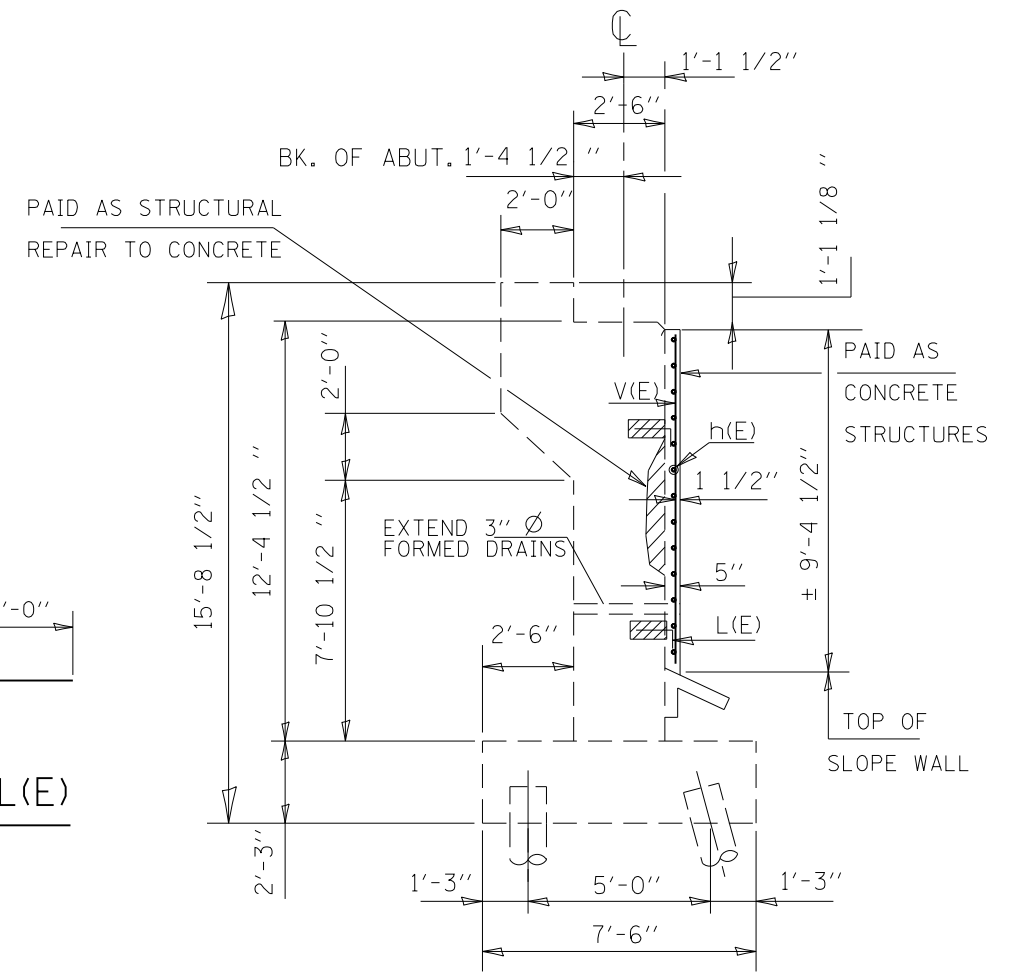
PLAN



EAST ABUTMENT ELEVATION



BAR L(E)



SECTION A-A

BILL OF MATERIALS
(EAST ABUTMENT)

BAR	NO.	SIZE	LENGTH	SHAPE
h(E)	44	#5	23'-1"	—
L(E)	270	#5	1'-10"	—
V(E)	89	#5	9'-0"	—
REINFORCEMENT BARS, (EPOXY COATED)			LBS	2420
CONCRETE STRUCTURES			CU.YD.	13.0

BAR LAP

SIZE	LAP
#5	2'-2"

NOTES:

- #5 L(E) BARS SHALL BE EPOXY GROUTED ACCORDING TO ART. 584 OF THE STANDARD SPECIFICATIONS.
- THE CONCRETE FOR THE STRUCTURAL REPAIR TO CONCRETE SHALL USE THE SAME MATERIAL AND BE POURED AT THE SAME TIME AS THE CONCRETE STRUCTURES.
- ADJUST ANY EXISTING ELECTRICAL ITEMS AND MARKER NAME PLATES TO NEW FACE OF ABUTMENT.

LEGEND

