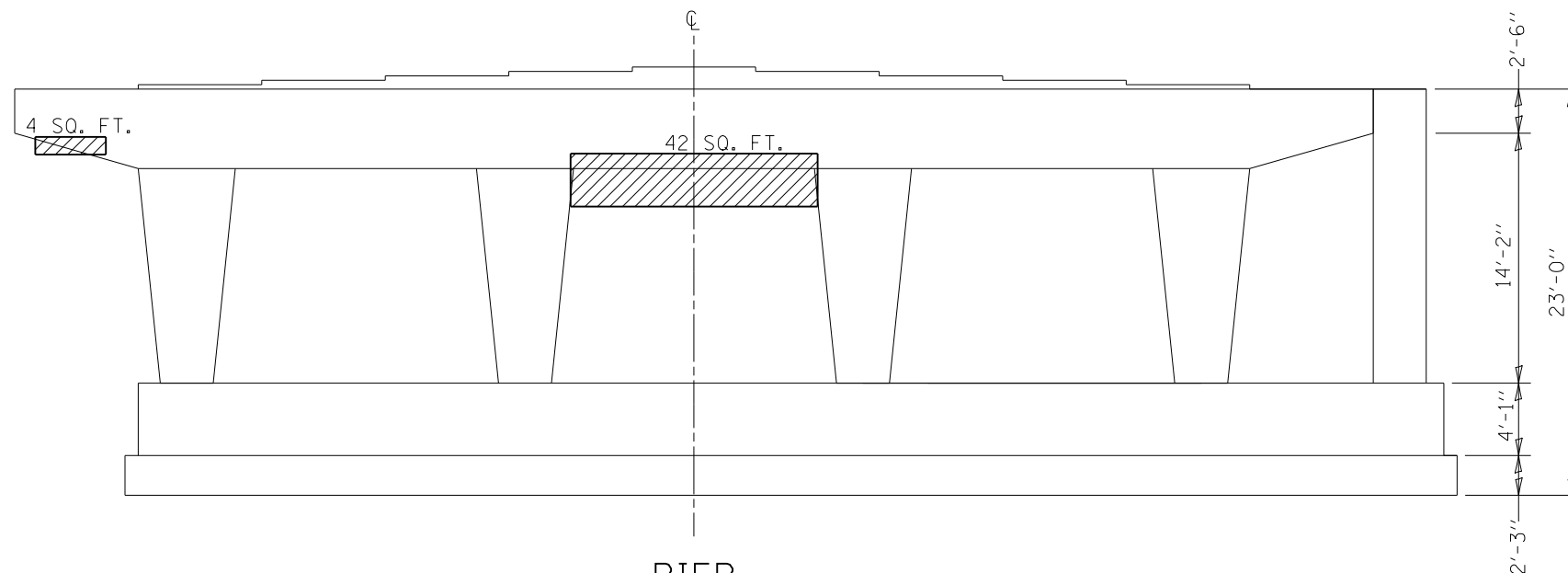


PIER  
ELEVATION  
LOOKING EAST



PIER  
ELEVATION  
LOOKING WEST

LEGEND

 STRUCTURAL REPAIR OF CONCRETE  $\leq$  5"

TABLE OF REACTIONS

	REACTIONS (Kips)	
	ABUTS.	PIER
DL	55	183.2
LL	46.6	79.8
IMP.	10.2	17.4
TOTAL	111.8	280.4

BILL OF MATERIALS (PIER)

ITEM	UNIT	QUANTITY
STRUCTURAL REPAIR OF CONCRETE $\leq$ 5"	SQ. FT.	87.0
TEMPORARY SHORING AND CRIBBING	EACH	1.0

TOTAL BILL OF MATERIALS  
(SN 016-0960)

ITEM	UNIT	QUANTITY
STRUCTURAL REPAIR OF CONCRETE $\leq$ 5"	SQ. FT	877.0
STRUCTURAL REPAIR OF CONCRETE $>$ 5"	SQ. FT	8.0
TEMPORARY SHORING AND CRIBBING	EACH	1
CONCRETE REMOVAL	CU YD	1.4
CONCRETE STRUCTURES	CU YD	1.4
PIPE UNDERDRAINS FOR STRUCTURES 4"	FOOT	152

FILE NAME =	USER NAME = gorengautab	DESIGNED -	REVISD -
ct:\pw\work\p1dot\gorengautab\0101671\022-0091.dgn		DRAWN -	REVISD -
Default	PLOT SCALE = 100.0000' / in.	CHECKED -	REVISD -
	PLOT DATE = 8/27/2012	DATE -	REVISD -

STATE OF ILLINOIS  
DEPARTMENT OF TRANSPORTATION

LOCATION NO 2. I-290 AT BIESTERFIELD RD (SN 016-0960)  
PIER REPAIRS

SCALE: SHEET 2 OF 9 SHEETS STA. TO STA.

\* FAI 290 & FAP 342

F.A.I. RTE.	SECTION	COUNTY	TOTAL SHEETS	SHEET NO.
*	2012-026 BR	COOK & DuPAGE	29	13
			CONTRACT NO. 60T70	
ILLINOIS FED. AID PROJECT				