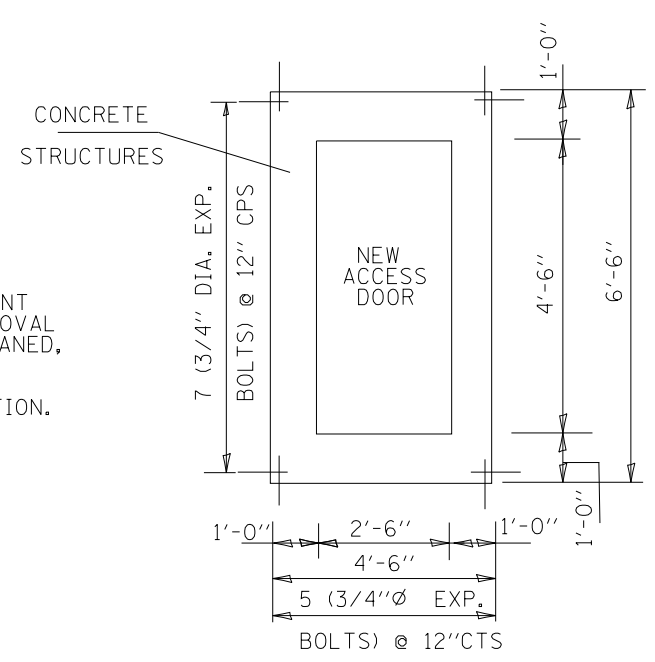
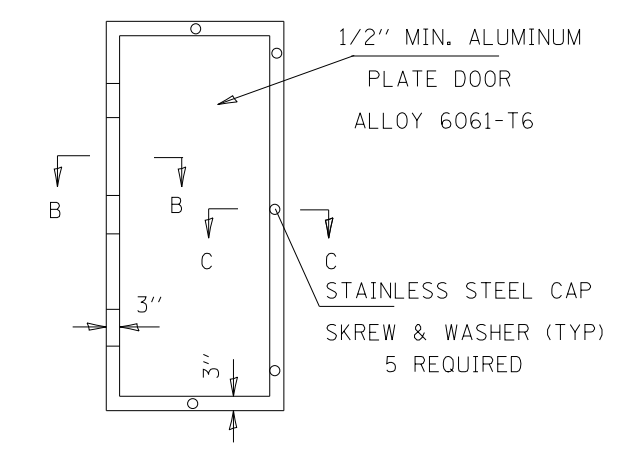


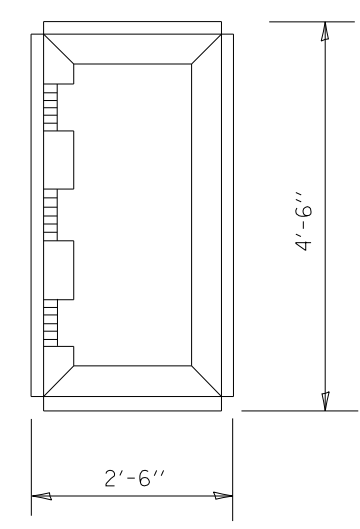
CONCRETE REMOVAL DETAIL



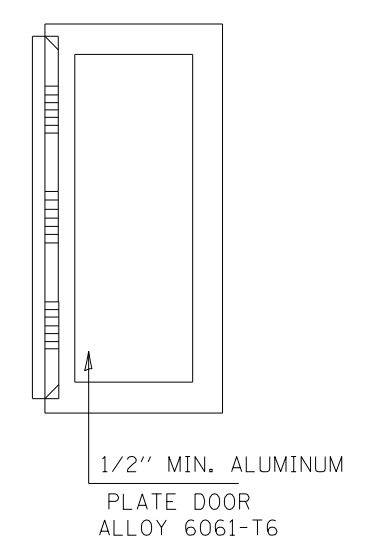
CONCRETE FILL AT ACCESS HOLE



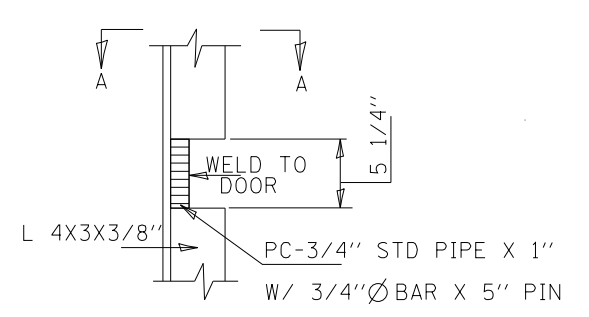
PROPOSED DOOR



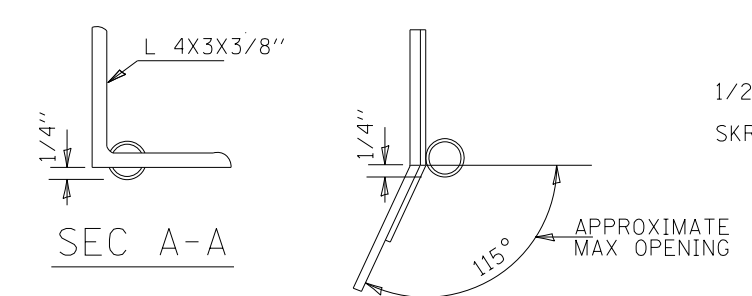
FRAME



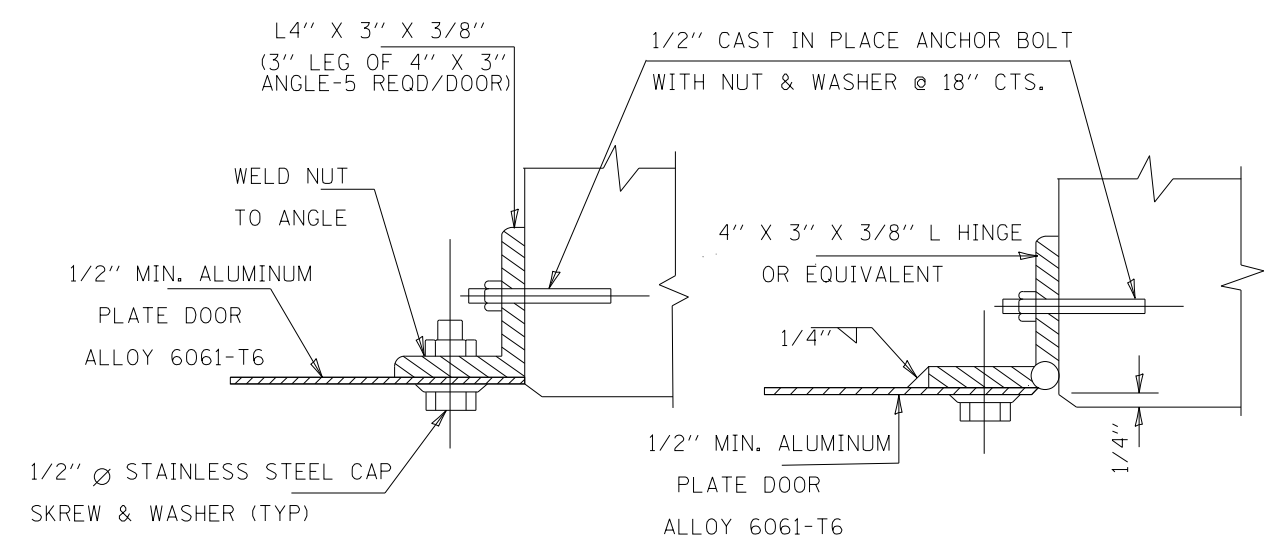
FRAME WITH COVER



HINGE DETAIL



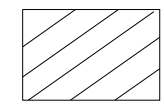
SEC A-A



SEC B-B

SEC C-C

LEGEND



CONCRETE REMOVAL

NOTES:

- EXPANSION BOLTS SHALL BE 3/4" DIAMETER HOOKED BOLTS AND SHALL EXTEND 9" MIN. INTO CONCRETE.
- PAINT ALL ALUMINUM SURFACES IN CONTACT WITH CONCRETE WITH EPOXY PAINT.
- WORK THIS SHEET WITH SHEET #4 OF 9.

FILE NAME =	USER NAME = gorengautab	DESIGNED -	REVISD -	STATE OF ILLINOIS DEPARTMENT OF TRANSPORTATION	LOCATION NO 2. I-290 AT BIESTERFIELD RD (SN 016-0960)		F.A.I. RTE.	SECTION	COUNTY	TOTAL SHEETS	SHEET NO.	
et:\pw\work\p\idot\gorengautab\d0101671\022-0091.dgn	PLOT SCALE = 100.0000' / 11.	DRAWN -	REVISD -		ACCESS DOOR REPAIRS		*	2012-026 BR	COOK & DuPAGE	29	16	
\$MODELNAME\$	PLOT DATE = 8/27/2012	CHECKED -	REVISD -		SCALE: _____	SHEET 5 OF 9 SHEETS	STA.	TO STA.	ILLINOIS FED. AID PROJECT			
		DATE -	REVISD -									

*FAI 290 & FAP 342