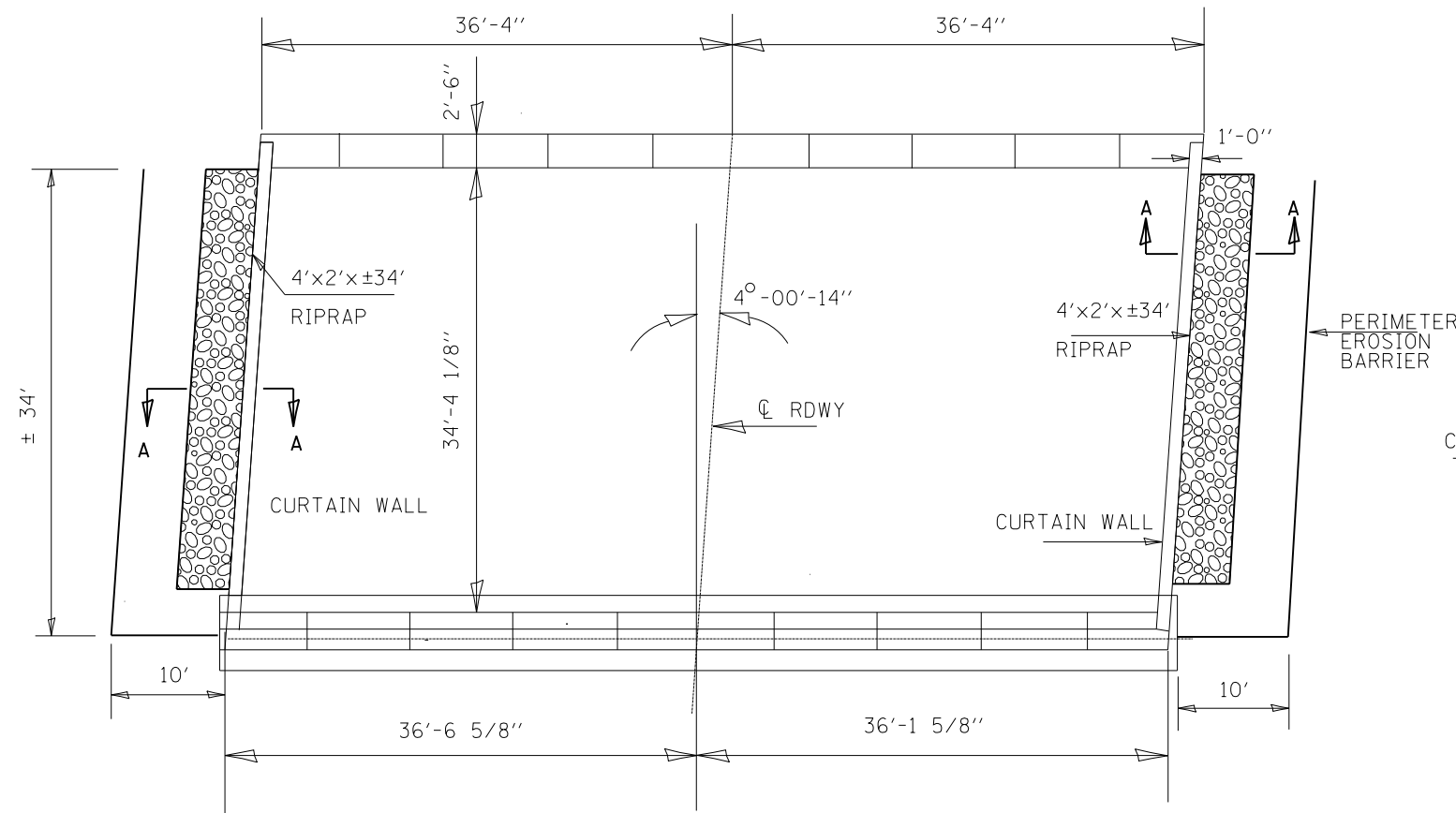


TABLE OF REACTIONS

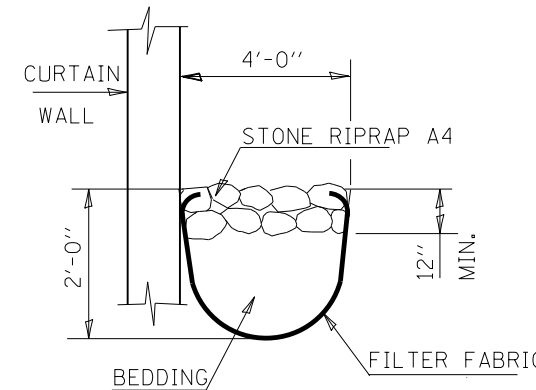
	REACTIONS (Kips)	
	ABUTS.	PIER
DL	49.1	172
SDL	46.7	77.4
LL	10.3	17
IMP.	10.3	17
TOTAL	106.1	266.4

TOTAL BILL OF MATERIALS (SN 022-0091)

ITEM	UNIT	QUANTITY
STRUCTURAL REPAIR OF CONCRETE ≤ 5"	SQ. FT	1605
STRUCTURAL REPAIR OF CONCRETE > 5"	SQ. FT	16
REINFORCED BARS, (EPOXY COATED)	LBS	2810
CONCRETE STRUCTURES	CU. YD	17.0
TEMPORARY SHORING AND CRIBBING	EACH	20
PIPE UNDERDRAINS 4"	FOOT	152
STONE DUMPED RIPRAP, CLASS A4	SQ. YD	42
EARTH EXCAVATION	CU. YD	40
FILTER FABRIC	SQ. YD	110
PERIMETER EROSION BARRIER	FOOT	150
PIPE UNDERDRAINS FOR STRUCTURES, 4"	FOOT	152



PLAN
WEST ABUTMENT



SECTION A-A

LEGEND:

- STRUCTURAL REPAIR OF CONCRETE ≤ 5"
- STRUCTURAL REPAIR OF CONCRETE > 5"
- RIPRAP

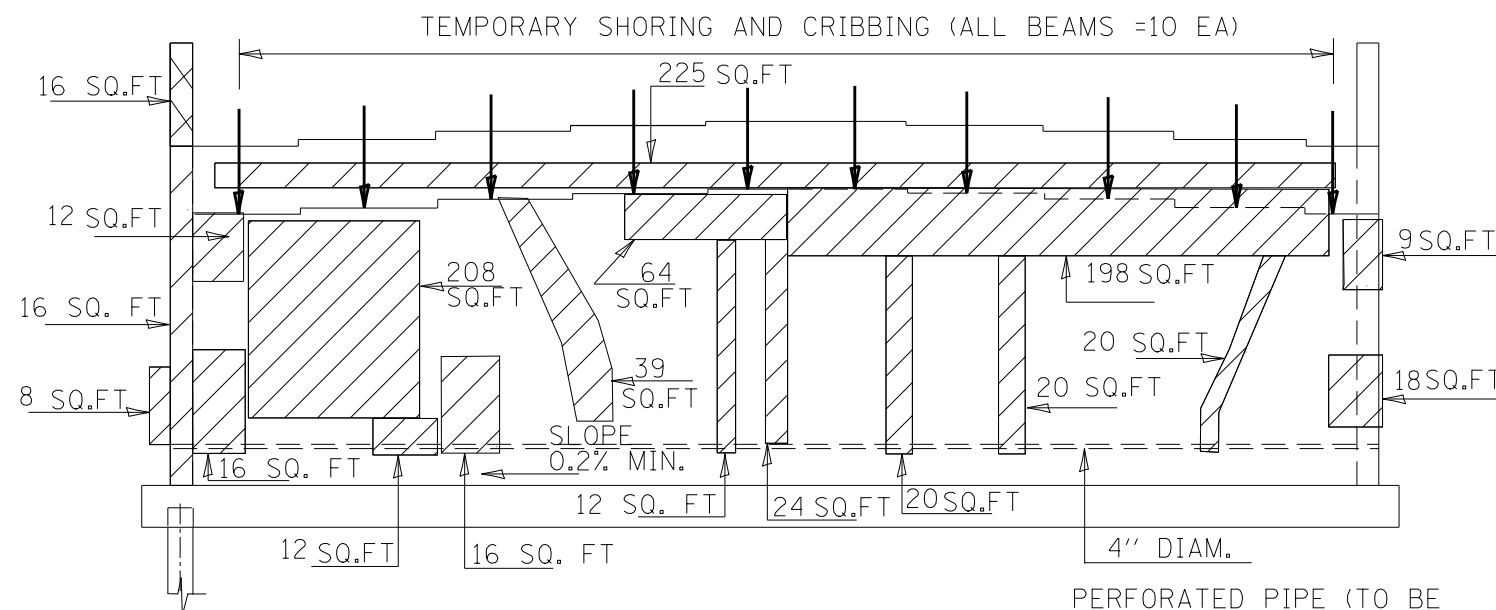
BILL OF MATERIALS (WEST ABUT)

ITEM	UNIT	QUANTITY
STRUCTURAL REPAIR OF CONCRETE ≤ 5"	SQ. FT	937
STRUCTURAL REPAIR OF CONCRETE > 5"	SQ. FT	16
TEMPORARY SHORING AND CRIBBING	EACH	10
STONE DUMPED RIPRAP, CLASS A4	SQ. YD	31
FILTER FABRIC	SQ. YD	62
EARTH EXCAVATION	CU. YD	21
PERIMETER EROSION BARRIER	FOOT	100
PIPE UNDERDRAINS FOR STRUCTURES, 4"	FOOT	76

NOTE:

COMPLETELY DEWATER ABUTMENT VAULTS PRIOR TO PIPE UNDERDRAIN CONSTRUCTION. WATER SHALL BE PUMPED TO LOW POINT. COST INCLUDED WITH "PIPE UNDERDRAINS FOR STRUCTURES 4". "

SUPPORT SYSTEM SHALL BE PLACED BEHIND THE EXISTING BARRIER WALL.



ELEVATION
WEST ABUTMENT

PERFORATED PIPE (TO BE CENTERED AT BACK OF WEEP HOLES)
(SEE SHEET 6 OF 8 FOR DETAILS)