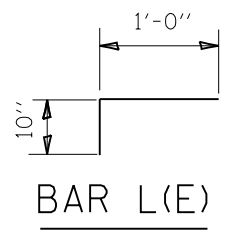
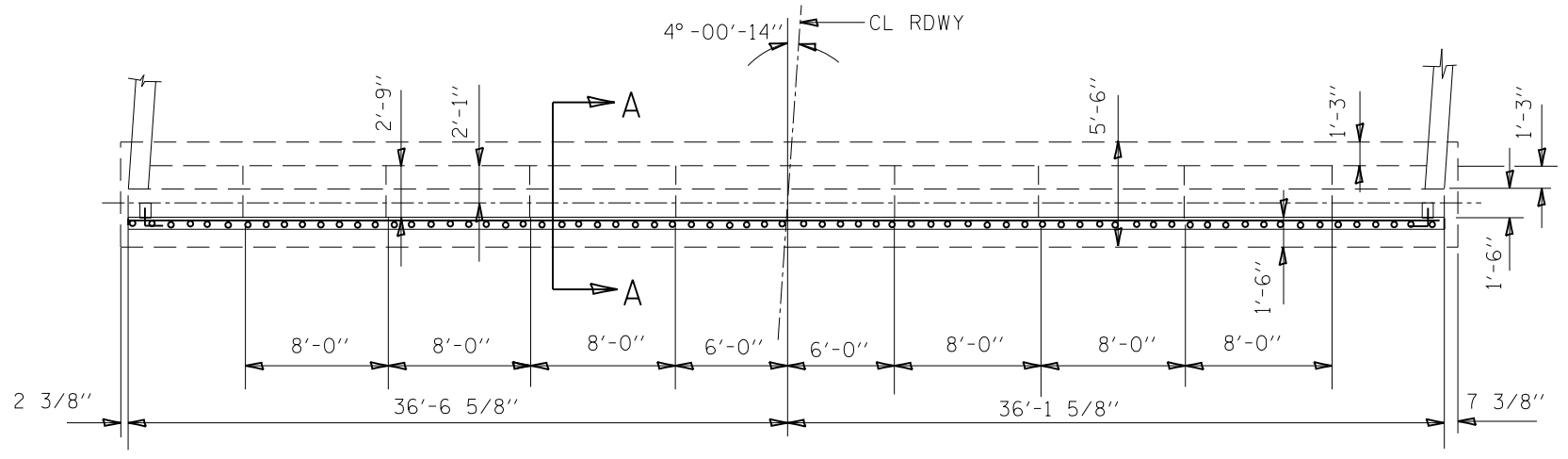


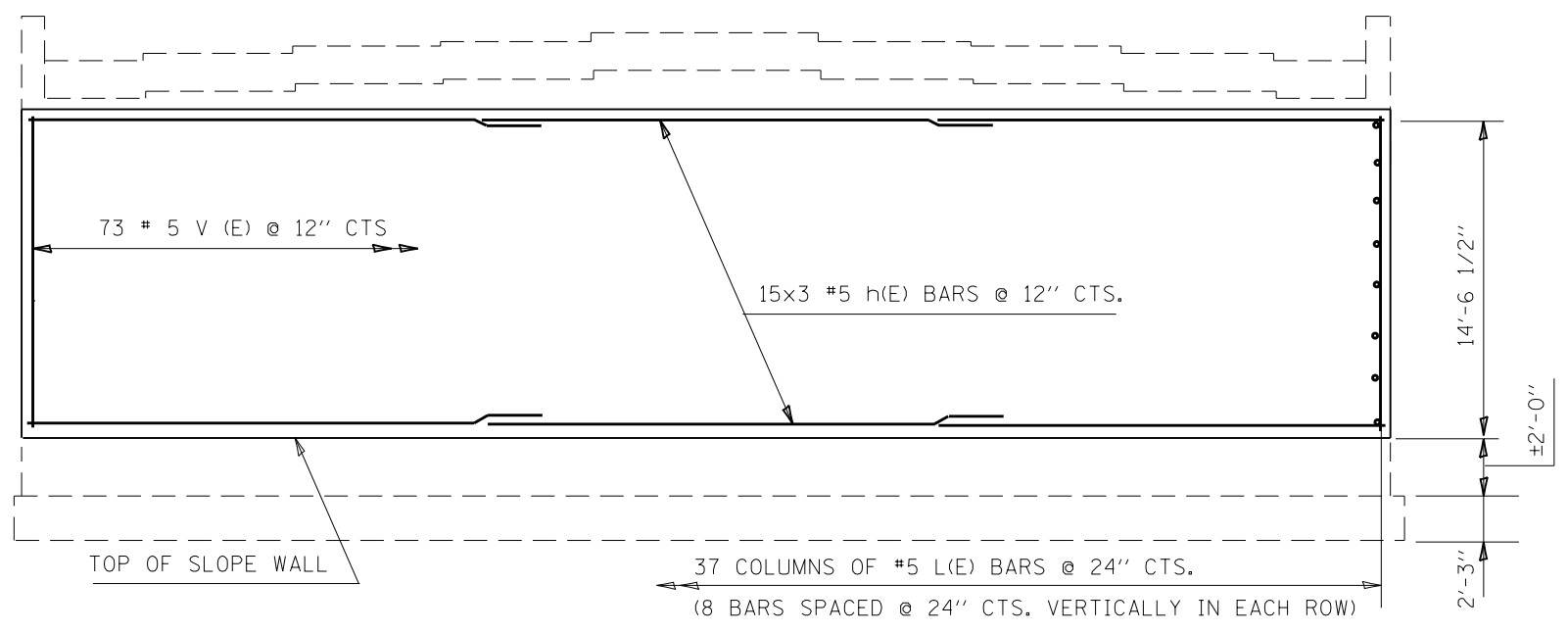
SECTION A-A



BAR L(E)



PLAN



ELEVATION

NOTES:

#5 L(E) BARS SHALL BE EPOXY GROUTED ACCORDING TO ART. 584 OF THE STANDARD SPECIFICATIONS.
 THE CONCRETE FOR THE STRUCTURAL REPAIR TO CONCRETE SHALL USE THE SAME MATERIAL AND BE POURED AT THE SAME TIME AS THE CONCRETE STRUCTURES.
 ADJUST ANY EXISTING ELECTRICAL ITEMS AND MARKER NAME PLATES TO NEW FACE OF ABUTMENT.

BILL OF MATERIALS (WEST ABUT)

BAR	NO.	SIZE	LENGTH	SHAPE
h(E)	45	#5	25'-1"	—
L(E)	296	#5	1'-10"	—
V(E)	73	#5	14'-0"	—
REINFORCEMENT BARS, (EPOXY COATED)			LBS	2810
CONCRETE STRUCTURES			CU.YD.	17.0

MINIMUM BAR LAP

SIZE	LAP
#5	2'-2"

* FAI 290 & FAP 342