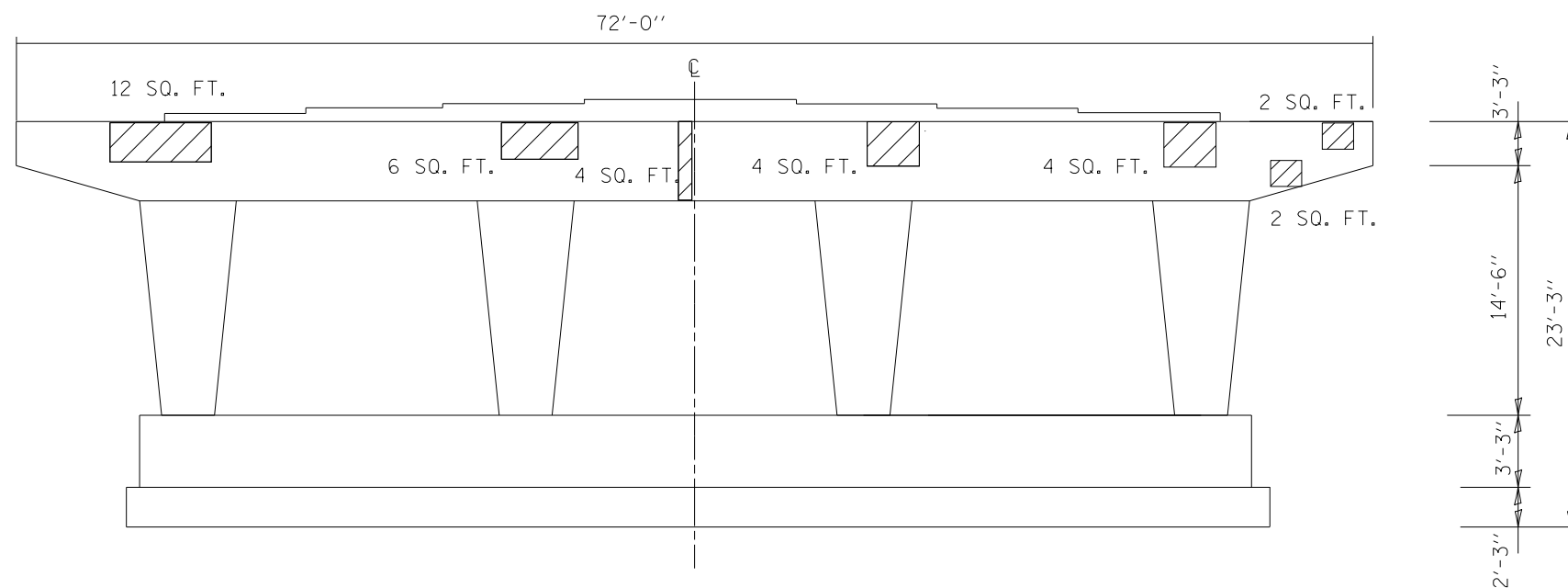


PIER ELEVATION
EAST FACE

BILL OF MATERIALS (PIER)

	UNIT	QUANTITY
STRUCTURAL REPAIR OF CONCRETE \leq 5"	SQ. FT	76

 STRUCTURAL REPAIR OF CONCRETE \leq 5"



PIER ELEVATION
WEST FACE

* FAI 290 & FAP 342

FILE NAME =	USER NAME = gorengautab	DESIGNED -	REVISÉ -	STATE OF ILLINOIS DEPARTMENT OF TRANSPORTATION	LOCATION NO 3. I-290 AT IL 19 (IRVING PARK RD) (SN 022-0091) PIER REPAIRS		F.A.I. RTE.	SECTION	COUNTY	TOTAL SHEETS	SHEET NO.
Default	Plot SCALE = 100.0000' / in.	DRAWN -	REVISÉ -				* 2012-026 BR	COOK & DuPAGE	29	25	
	PLOT DATE = 8/27/2012	CHECKED -	REVISÉ -		CONTRACT NO. 60770			ILLINOIS FED. AID PROJECT			
		DATE -	REVISÉ -		SCALE: _____	SHEET 5 OF 8 SHEETS	STA. _____	TO STA. _____			