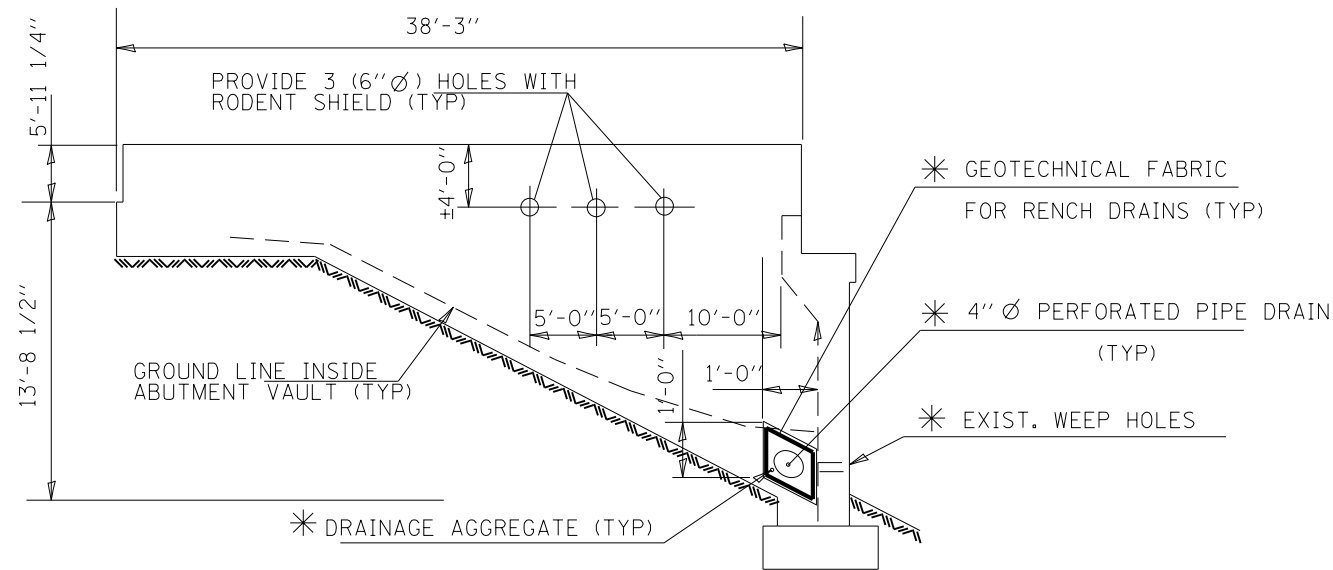
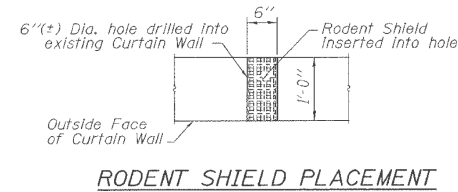
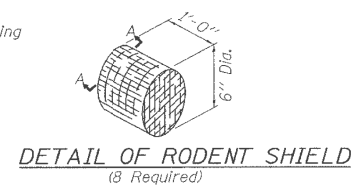
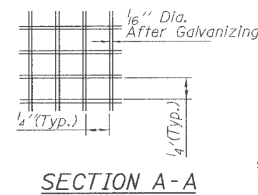


NORTHWEST CURTAIN WALL
NORTHEAST CURTAIN WALL



SOUTHWEST CURTAIN WALL
SOUTHEAST CURTAIN WALL



NOTES:

COST OF CORING 12 HOLES (3 EACH SIDE AT EACH ABUTMENT) AND SHIELDS INCLUDED WITH "CONCRETE STRUCTURES".

* CLEAN EXISTING WEEP HOLE IN THE EXIST. WINGWALL TO ACCOMMODATE THE 4" PERFORATED PIPE DRAIN. AFTER INSTALLATION SEAL AROUND THE PIPE DRAIN.
COST INCLUDED IN THE COST OF PIPE UNDERDRAINS FOR STRUCTURES 4".

EXCAVATED SOIL FOR PIPE UNDERDRAIN INSTALLATION SHALL BE PLACED ON TOP OF SLOPED GROUND INSIDE VAULT. COST INCLUDED IN "PIPE UNDERDRAIN FOR STRUCTURES 4".

* FAI 290 & FAP 342

FILE NAME =	USER NAME = gorengautab	DESIGNED -	REVISD -
ct:\pw\work\pwidot\gorengautab\d0101671\022-0091.dgn		DRAWN -	REVISD -
Default	PLOT SCALE = 100.0000' / in.	CHECKED -	REVISD -
	PLOT DATE = 8/28/2012	DATE -	REVISD -

STATE OF ILLINOIS
DEPARTMENT OF TRANSPORTATION

LOCATION NO 3. I-290 AT IL 19 (IRVING PARK RD) (SN 022-0091)
CURTAIN WALL REPAIRS

SCALE: SHEET 6 OF 8 SHEETS STA. TO STA.

F.A.I. RTE.	SECTION	COUNTY	TOTAL SHEETS	SHEET NO.
*	2012-026 BR	COOK & DuPAGE	29	26
CONTRACT NO. 60T70			ILLINOIS FED. AID PROJECT	