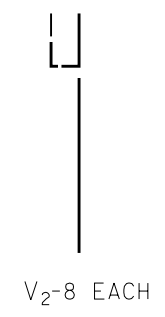
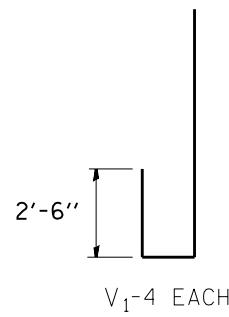
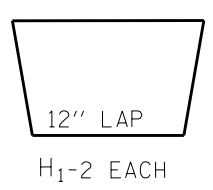
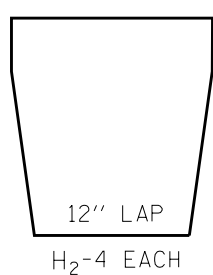
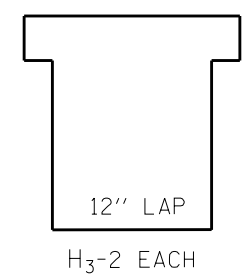
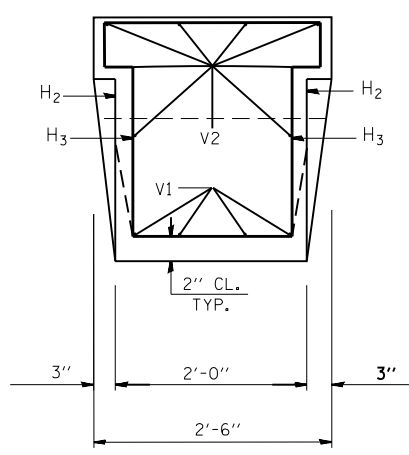


NOTES: CLASS SI CONCRETE SHALL BE USED THROUGHOUT REINFORCEMENT TO BE SIZE #4 UNLESS OTHERWISE NOTED



FILE NAME =	USER NAME = pyrzanowskirb	DESIGNED -	REVISED -	STATE OF ILLINOIS DEPARTMENT OF TRANSPORTATION	TYPICAL DETAILS FOR STEEL PLATE BEAM GUARDRAIL ANCHORAGE REPAIR			F.A. RTE.	SECTION	COUNTY	TOTAL SHEETS	SHEET NO.
et:\pwork\work\pwork\pyrzanowskirb\d030698	D0142212-sht-plan.dgn	DRAWN -	REVISED -					VAR.	2012-021 GRR	VARIOUS	22	9
	PLOT SCALE = 99.9998 ' / in.	CHECKED -	REVISED -		SCALE: SHEET NO. OF SHEETS STA. TO STA.			CONTRACT NO. 60T73				
	PLOT DATE = 7/26/2012	DATE -	REVISED -					FED. ROAD DIST. NO. ILLINOIS FED. AID PROJECT				