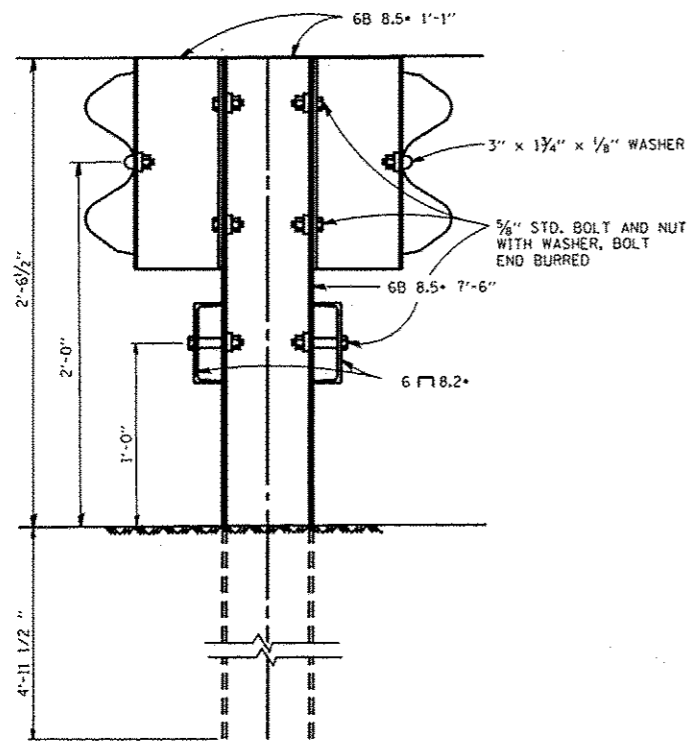


ELEVATION

DETAIL OF END SECTION

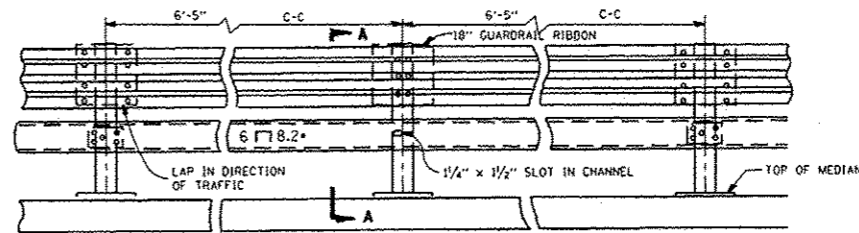
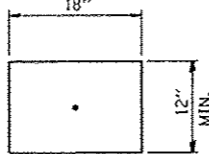
NOTE 1:
FOR DETAILS OF GUARDRAIL END ANCHORAGE
AT PIERS, SEE SHEET NO. ___



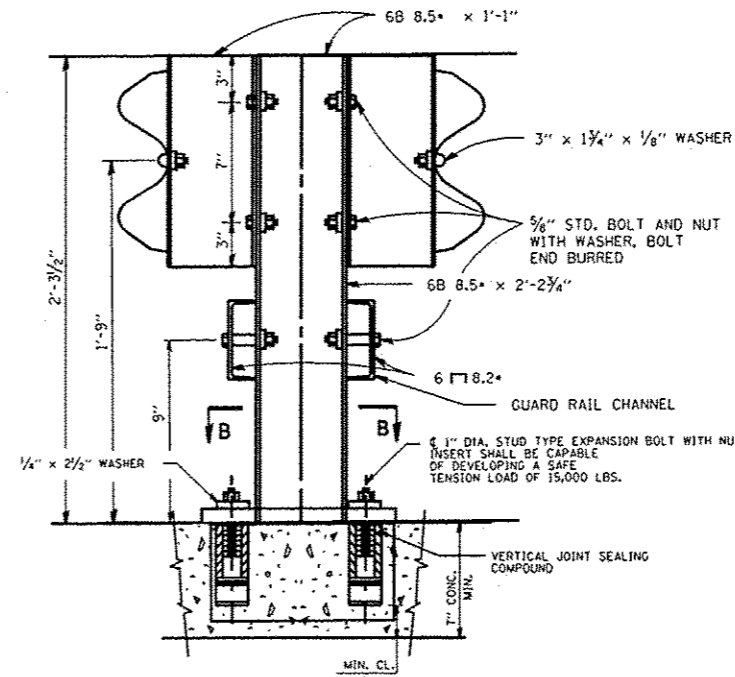
SECTION A-A

18" GUARDRAIL ELEMENT SPLICE

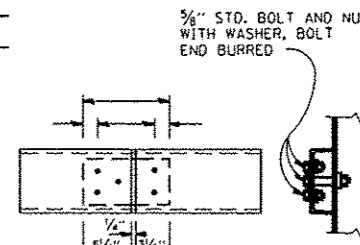
NOTE:
FOR DETAIL OF RAIL ELEMENT, RAIL SPLICING, BOLT,
AND NUT, SEE STATE STANDARD 630001.
A 1 3/8" x 3" x 1/8" STEEL PLATE WASHER AS SHOWN ON THIS
DRAWING SHALL BE PLACED BETWEEN THE BOLT HEAD
AND THE GUARDRAIL RIBBON AT ALL MOUNTING POINTS.
AN 18" PIECE OF GUARDRAIL RIBBON SHALL BE INSERTED
BETWEEN THE CONTINUOUS RIBBON AND THE POST AT
NON-SLICE MOUNTING POINTS.
RAIL, CHANNELS, POSTS, BASE PLATES, FASTENINGS,
AND ALL OTHER EXPOSED ACCESSORIES SHALL BE
GALVANIZED.



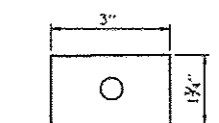
ELEVATION



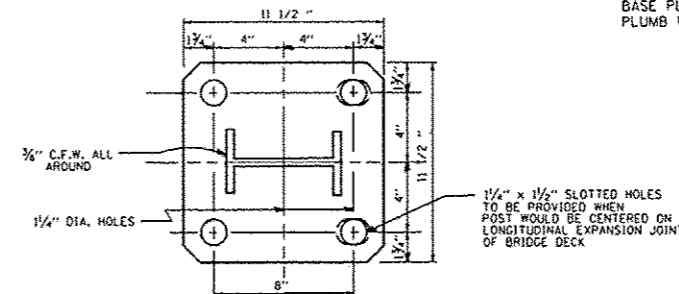
SECTION A-A
ANCHORAGE DETAIL



CHANNEL SPLICE
PLATE 3 3/4" x 1 3/4" x 1/8"



WASHER
PLATE 3" x 1 3/4" x 1/8"



RAIL POST BASE PLATE
2 11 1/2" x 1 1/4" x 11 1/2"

SECTION B-B

NOTE:
ALL WELDS SHALL BE GROUND SMOOTH.
POSTS SHALL BE CUT AND WELDED TO THE
BASE PLATE SO THAT THE POSTS WILL BE
PLUMB WHEN ERECTED.

THIS SHEET IS FOR INFORMATION ONLY

FILE NAME *	USER NAME * pyrczanowski	DESIGNED -	REVISED -	STATE OF ILLINOIS DEPARTMENT OF TRANSPORTATION	STEEL PLATE BEAM GUARDRAIL SPECIAL	F.A. RTE.	SECTION	COUNTY	TOTAL SHEETS	SHEET NO.	
cd:\pwwork\p\idot\pyrczanowski\d030598	D042212-shs-plan.dgn	DRAWN -	REVISED -			VAR.	2012-021 GRR	VARIOUS	22	13	
	PLOT SCALE * 99.9998 1/16"	CHECKED -	REVISED -			CONTRACT NO. 60T73					
	PLOT DATE * 7/26/2012	DATE -	REVISED -			SCALE:	SHEET NO.	OF	SHEETS	STA.	TO STA.