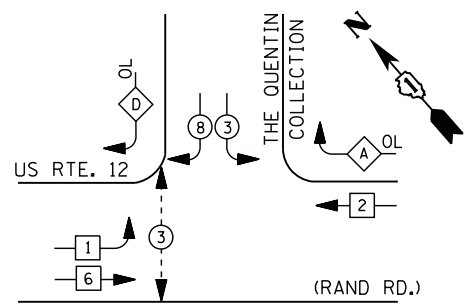


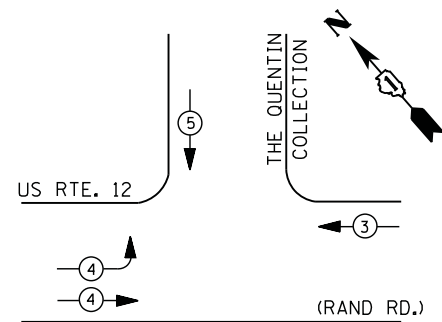
**CONTROLLER SEQUENCE**



**PHASE DESIGNATION DIAGRAM**

RIGHT TURN OVERLAP PHASE DESIGNATION

OVERLAP LETTER	PERMISSIVE PHASE	PROTECTED PHASE
A	= 2	+ 3
D	= 8	+ 1



**LEGEND**

- DUAL ENTRY PHASE
- PEDESTRIAN PHASE
- SINGLE ENTRY PHASE
- OVERLAP
- \*** NUMBER REFERS TO ASSOCIATED PHASE

**EMERGENCY VEHICLE PREEMPTION SEQUENCE**

EMERGENCY VEHICLE PREEMPTORS			
EMERGENCY VEHICLE PREEMPTOR	3	4	5
MOVEMENT	←	→	↓

**I. D. O. T.  
 TRAFFIC SIGNAL INSTALLATION  
 ELECTRICAL SERVICE REQUIREMENTS**

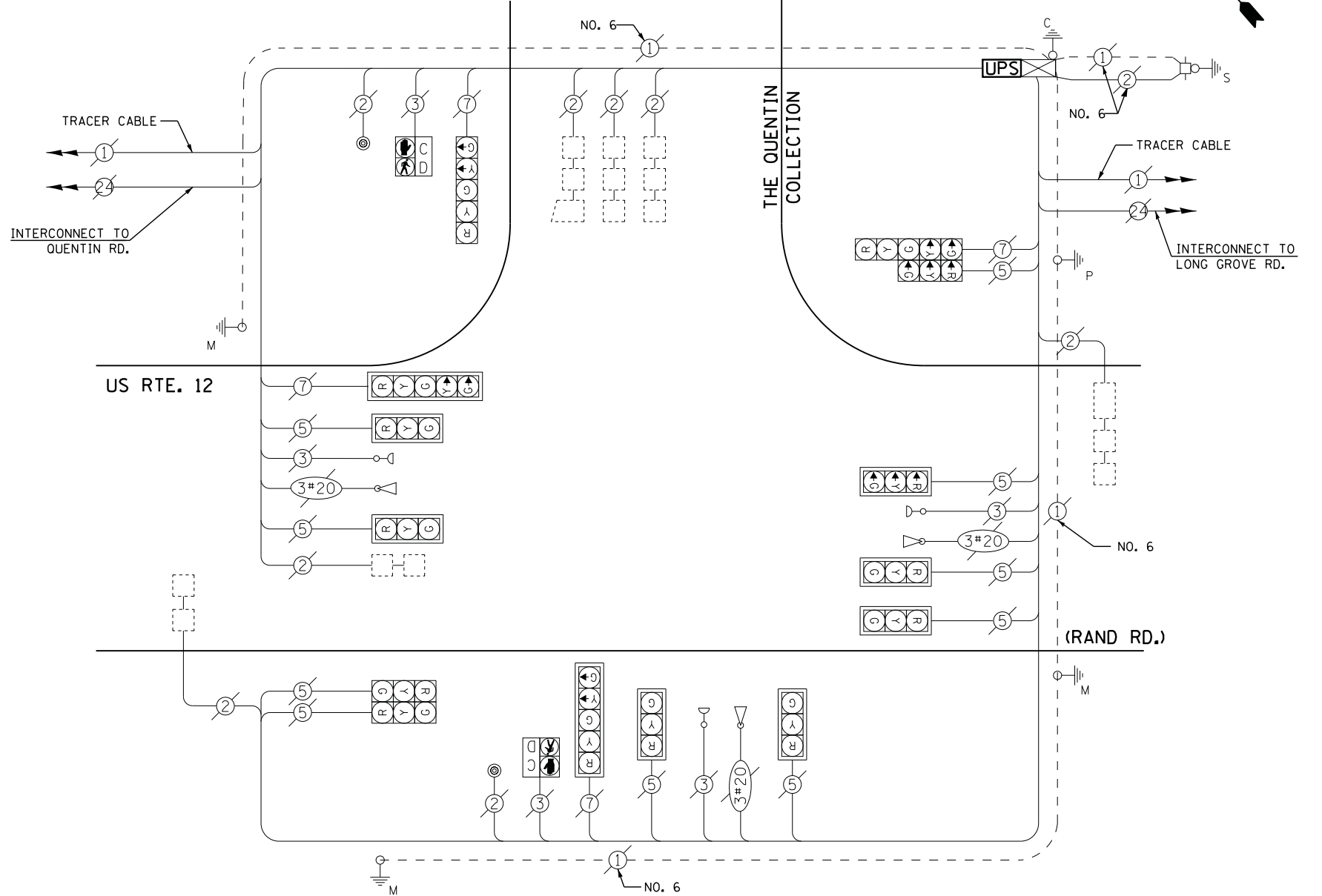
TYPE	NO. LAMPS	WATTAGE		% OPERATIONS	TOTAL WATTAGE
		INCAND.	LED		
SIGNAL (RED)	14	135	17	0.50	119
(YELLOW)	14	135	25	0.25	88
(GREEN)	14	135	15	0.25	53
ARROW	8	135	12	0.10	10
PED. SIGNAL	2	90	25	1.00	50
CONTROLLER	1	100	100	1.00	100
ILLUM. SIGN		252	25	0.05	--
VIDEO SYSTEM		150	-	1.00	--
FLASHER LED					

TOTAL = 419

ENERGY COSTS- BILLED TO: VILLAGE OF KILDEER  
21911 QUENTIN ROAD  
KILDEER, IL 60047  
 ENERGY SUPPLY - CONTACT DAVE SCHACHT  
 PHONE 630-437-2129  
COMMONWEALTH EDISON

**SCHEDULE OF QUANTITIES**

QUANTITY	UNIT	ITEM
1	EACH	MAINTENANCE OF EXISTING TRAFFIC SIGNAL INSTALLATION
1	EACH	MODIFY EXISTING CONTROLLER CABINET
1	EACH	UNINTERRUPTABLE POWER SUPPLY, SPECIAL



**CABLE PLAN**

FILE NAME = N:\Projects\3\12004\DesignCAD\Sheet Files\12-003 Sheets SW Lake Co\0957\_CAB\_LAKE.dgn  
 USER NAME = \*USER\*  
 DESIGNED - DW  
 DRAWN - JDH  
 PLOT SCALE = \*SCALE\*  
 CHECKED - KMM  
 PLOT DATE = 8/23/2012  
 DATE -

REVISOR -  
 REVISION -  
 REVISION -  
 REVISION -  
 REVISION -

**STATE OF ILLINOIS  
 DEPARTMENT OF TRANSPORTATION**

**US ROUTE 12 AT QUENTIN COLLECTION  
 SCHEDULE OF QUANTITIES, CABLE PLAN, PHASE DESIGNATION DIAGRAM  
 AND EMERGENCY VEHICLE PREEMPTION SEQUENCE**  
 SCALE: N.T.S. SHEET NO. OF SHEETS STA. TO STA.

F.A. RTE.	SECTION	COUNTY	TOTAL SHEETS	SHEET NO.
	2012-039TS	LAKE	84	27

CONTRACT NO. 60T84  
 ILLINOIS FED. AID PROJECT

TS# 957  
 KILDEER