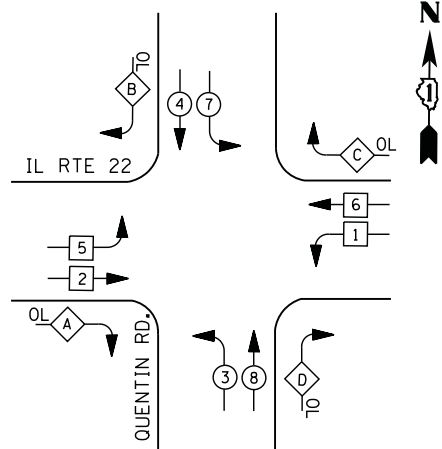
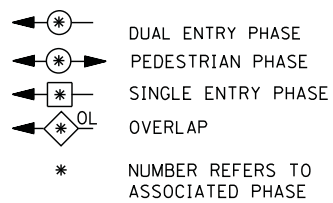


CONTROLLER SEQUENCE



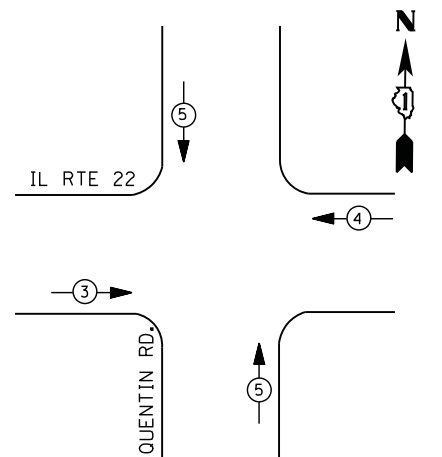
LEGEND



RIGHT TURN OVERLAP PHASE DESIGNATION

OVERLAP LETTER	PERMISSIVE PHASE	PROTECTED PHASE
A =	2 +	3
B =	4 +	5
C =	6 +	7
D =	8 +	1

PHASE DESIGNATION DIAGRAM



EMERGENCY VEHICLE PREEMPTION SEQUENCE

EMERGENCY VEHICLE PREEMPTORS			
EMERGENCY VEHICLE PREEMPTOR	3	4	5
MOVEMENT	→	←	↕

**I. D. O. T.
 TRAFFIC SIGNAL INSTALLATION
 ELECTRICAL SERVICE REQUIREMENTS**

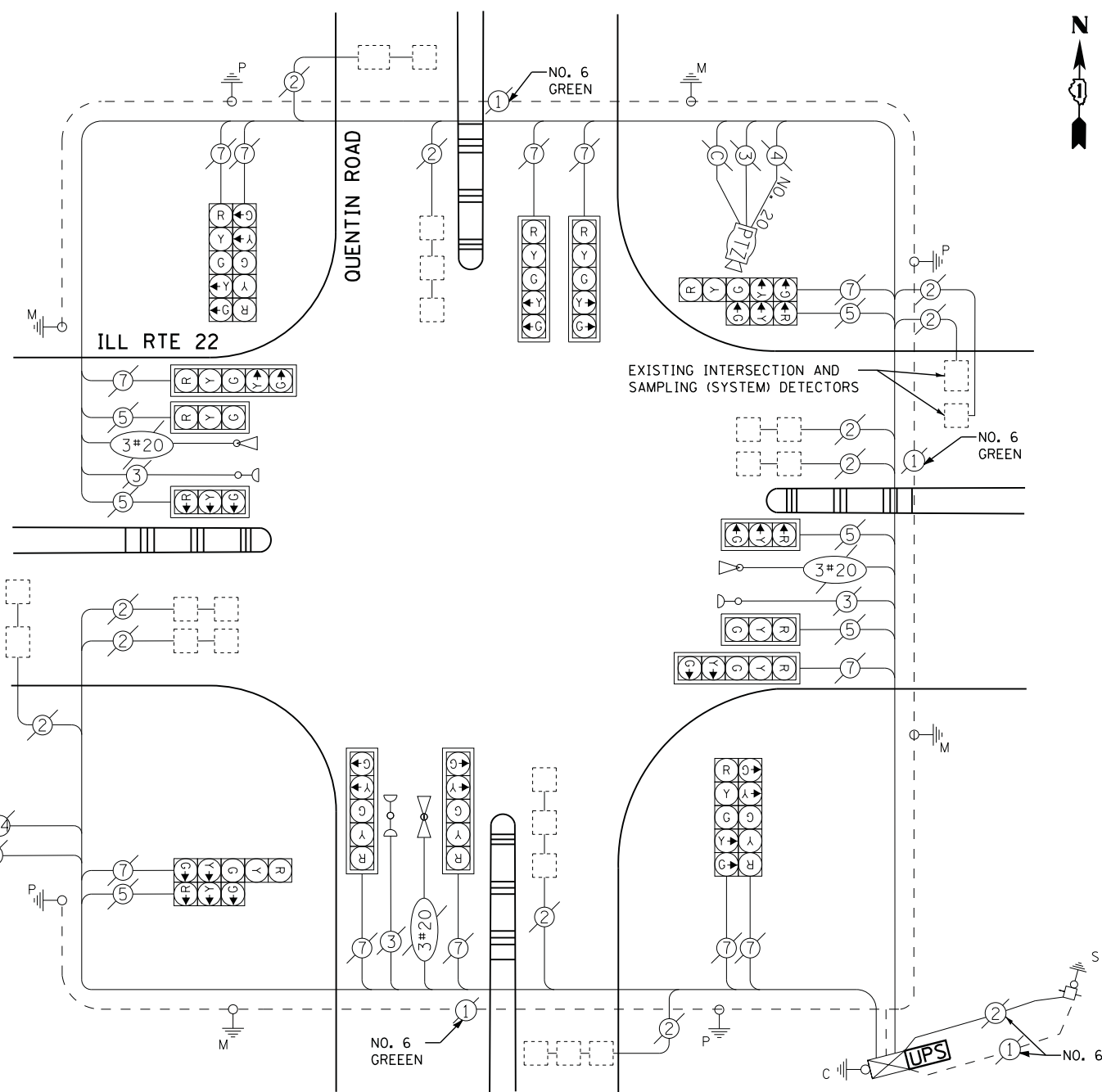
TYPE	NO. LAMPS	WATTAGE		% OPERATIONS	TOTAL WATTAGE
		INCAND.	LED		
SIGNAL (RED)	18	135	17	0.50	153
(YELLOW)	18	135	25	0.25	113
(GREEN)	18	135	15	0.25	68
ARROW	24	135	12	0.10	29
PED. SIGNAL	--	90	25	1.00	--
CONTROLLER	1	100	100	1.00	100
ILLUM. SIGN		252	25	0.05	--
VIDEO SYSTEM	1	150	-	1.00	150
FLASHER LED					

TOTAL = 613

ENERGY COSTS- BILLED TO: IDOT DISTRICT 1
 201 WEST CENTER COURT
 SCHAUMBURG, IL 60196-1096
 ENERGY SUPPLY - CONTACT DAVE SCHACHT
 PHONE 630-437-2129
 COMMONWEALTH EDISON

SCHEDULE OF QUANTITIES

QUANTITY	UNIT	ITEM
1	EACH	MAINTENANCE OF EXISTING TRAFFIC SIGNAL INSTALLATION
1	EACH	MODIFY EXISTING CONTROLLER CABINET
1	EACH	UNINTERRUPTABLE POWER SUPPLY, SPECIAL



CABLE PLAN

FILE NAME = USER NAME = *USER*
 N:\Projects\3\12004\Design\CAD\Sheet Files\12-003 Sheets SW Lake Co\06765_CAB_LAKE.dgn DRAWN - JDH
 PLOT SCALE = *SCALE* CHECKED - KMM
 PLOT DATE = 8/23/2012 DATE -

DESIGNED - DW
 REVISIONS -
 REVISIONS -
 REVISIONS -
 REVISIONS -

**STATE OF ILLINOIS
 DEPARTMENT OF TRANSPORTATION**

**IL ROUTE 22 AT QUENTIN ROAD
 SCHEDULE OF QUANTITIES, CABLE PLAN, PHASE DESIGNATION DIAGRAM
 AND EMERGENCY VEHICLE PREEMPTION SEQUENCE**

SCALE: N.T.S. SHEET NO. OF SHEETS STA. TO STA.

F.A. RTE. SECTION COUNTY TOTAL SHEETS SHEET NO.
 2012-039TS LAKE 84 28
 CONTRACT NO. 60T84
 ILLINOIS FED. AID PROJECT

TS# 6765
 KILDEER