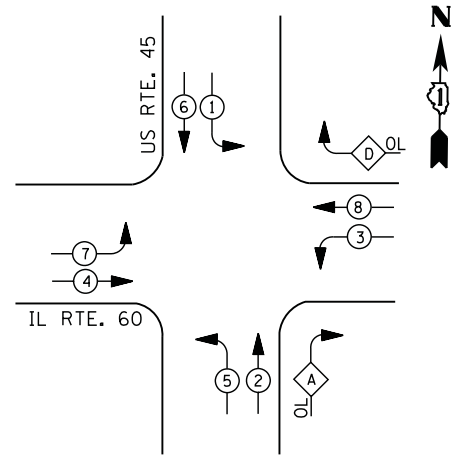
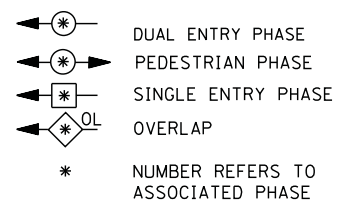


CONTROLLER SEQUENCE



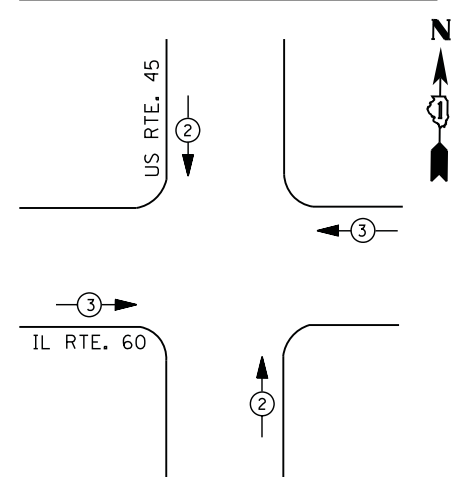
LEGEND



RIGHT TURN OVERLAP PHASE DESIGNATION

| OVERLAP LETTER | PERMISSIVE PHASE | PROTECTED PHASE |
|----------------|------------------|-----------------|
| A | = 2 | + 3 |
| D | = 8 | + 1 |

PHASE DESIGNATION DIAGRAM



EMERGENCY VEHICLE PREEMPTION SEQUENCE

| EMERGENCY VEHICLE PREEMPTORS | | |
|------------------------------|---|---|
| EMERGENCY VEHICLE PREEMPTOR | 2 | 3 |
| MOVEMENT | ↑ | ← |

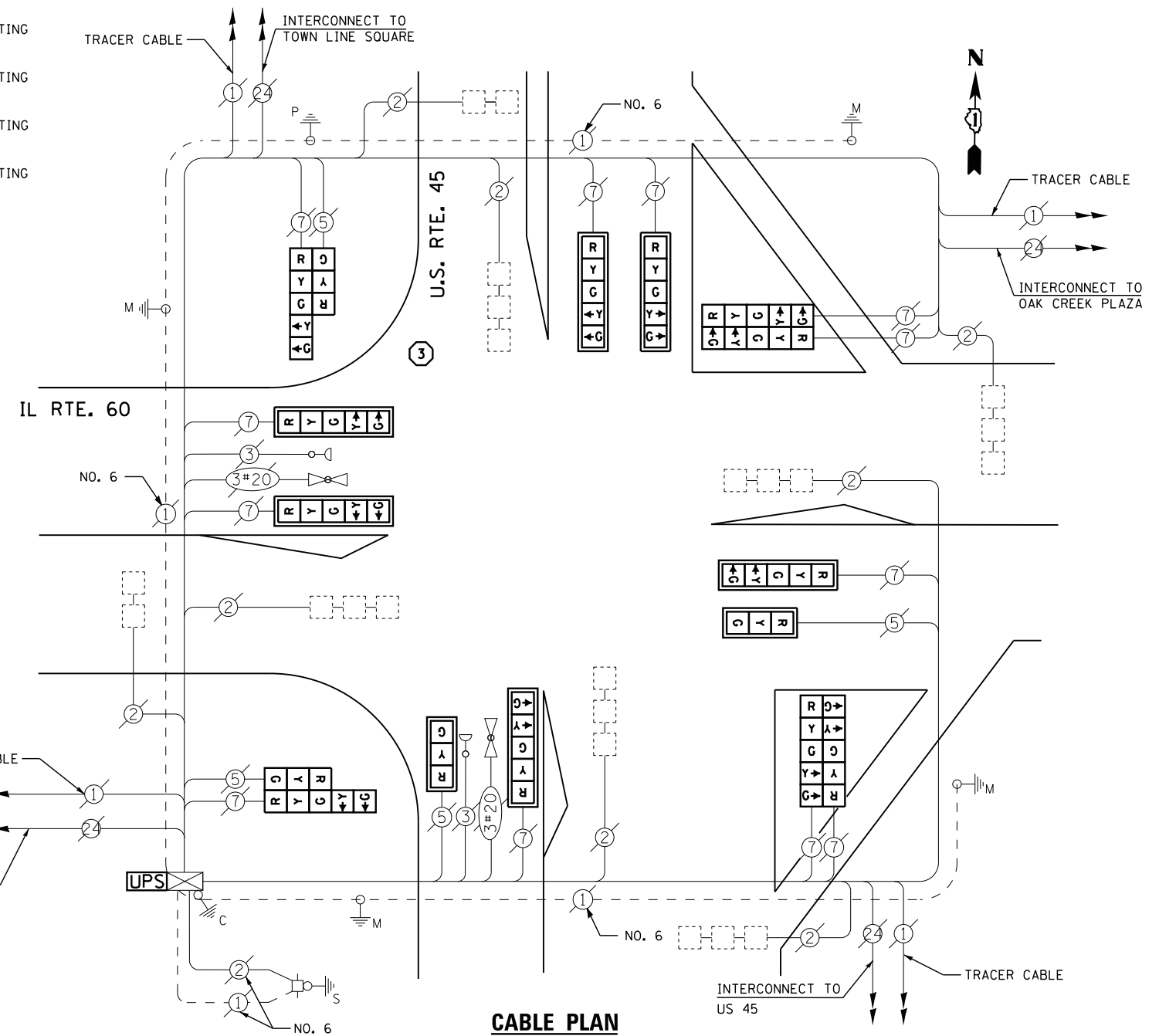
I. D. O. T. TRAFFIC SIGNAL INSTALLATION ELECTRICAL SERVICE REQUIREMENTS

| TYPE | NO. LAMPS | WATTAGE | | % OPERATIONS | TOTAL WATTAGE |
|--------------|-----------|---------|-----|--------------|---------------|
| | | INCAND. | LED | | |
| SIGNAL (RED) | 16 | 135 | 17 | 0.50 | 136 |
| (YELLOW) | 16 | 135 | 25 | 0.25 | 100 |
| (GREEN) | 16 | 135 | 15 | 0.25 | 60 |
| ARROW | 24 | 135 | 12 | 0.10 | 29 |
| PED. SIGNAL | -- | 90 | 25 | 1.00 | -- |
| CONTROLLER | 1 | 100 | 100 | 1.00 | 100 |
| ILLUM. SIGN | | 252 | 25 | 0.05 | -- |
| VIDEO SYSTEM | 0 | 150 | - | 1.00 | 0 |
| TOTAL = | | | | | 425 |

ENERGY COSTS- **BILLED TO: IDOT DISTRICT 1**
 201 WEST CENTER COURT
 SCHAUMBURG, IL 60196-1096

ENERGY SUPPLY - CONTACT **TERRI BLECK**
 PHONE 847-816-5239
 COMMONWEALTH EDISON

- ① REPLACE 14 FT. PAINTED POST. RE-USE EXISTING TYPE A CONCRETE FOUNDATION.
- ② REPLACE 15 FT. PAINTED POST. RE-USE EXISTING TYPE A CONCRETE FOUNDATION.
- ③ REPLACE 16 FT. PAINTED POST. RE-USE EXISTING TYPE A CONCRETE FOUNDATION.
- ④ REPLACE 18 FT. PAINTED POST. RE-USE EXISTING TYPE A CONCRETE FOUNDATION.



CABLE PLAN

UPS SHALL BE INSTALLED ON LEFT SIDE OF CONTROLLER CABINET DUE TO PHYSICAL CONSTRAINT, OR AS DIRECTED BY THE ENGINEER

SCHEDULE OF QUANTITIES

| QUANTITY | UNIT | ITEM |
|----------|------|---------------------------------------------------------------------|
| 1 | EACH | MAINTENANCE OF EXISTING TRAFFIC SIGNAL INSTALLATION |
| 1 | EACH | TRAFFIC SIGNAL POST, GALVANIZED STEEL 16 FT. |
| 2 | EACH | SIGNAL HEAD, LED, 1-FACE, 3-SECTION, MAST-ARM MOUNTED |
| 6 | EACH | SIGNAL HEAD, LED, 1-FACE, 5-SECTION, MAST-ARM MOUNTED |
| 2 | EACH | SIGNAL HEAD, LED, 2-FACE, 5-SECTION, BRACKET MOUNTED |
| 2 | EACH | SIGNAL HEAD, LED, 2-FACE, 1-3 SECTION, 1-5 SECTION, BRACKET MOUNTED |
| 8 | EACH | TRAFFIC SIGNAL BACKPLATE, LOUVERED, ALUMINUM |
| 1 | EACH | MODIFY EXISTING CONTROLLER CABINET |
| 1 | EACH | REMOVE EXISTING TRAFFIC SIGNAL EQUIPMENT |
| 1 | EACH | UNINTERRUPTABLE POWER SUPPLY, SPECIAL |

REMOVAL OF EXISTING TRAFFIC SIGNAL EQUIPMENT

THE FOLLOWING ITEMS SHALL BE REMOVED BY THE CONTRACTOR AND SHALL BE DISPOSED OF BY THEM OUTSIDE THE RIGHT-OF-WAY AT THEIR EXPENSE. THE SALVAGE VALUE OF THE REMOVED EQUIPMENT SHALL BE REFLECTED IN THE CONTRACT BID PRICE.

| | | |
|---|------|-----------------------------------------------|
| 2 | EACH | SIGNAL HEAD, 1-FACE, 3 - SECTION |
| 6 | EACH | SIGNAL HEAD, 1-FACE, 5 - SECTION |
| 2 | EACH | SIGNAL HEAD, 2-FACE, 1-3 SECTION, 1-5 SECTION |
| 2 | EACH | SIGNAL HEAD, 2-FACE, 2-5 SECTION |
| 1 | EACH | SIGNAL POST |

TS# 6605
 MUNDELEIN