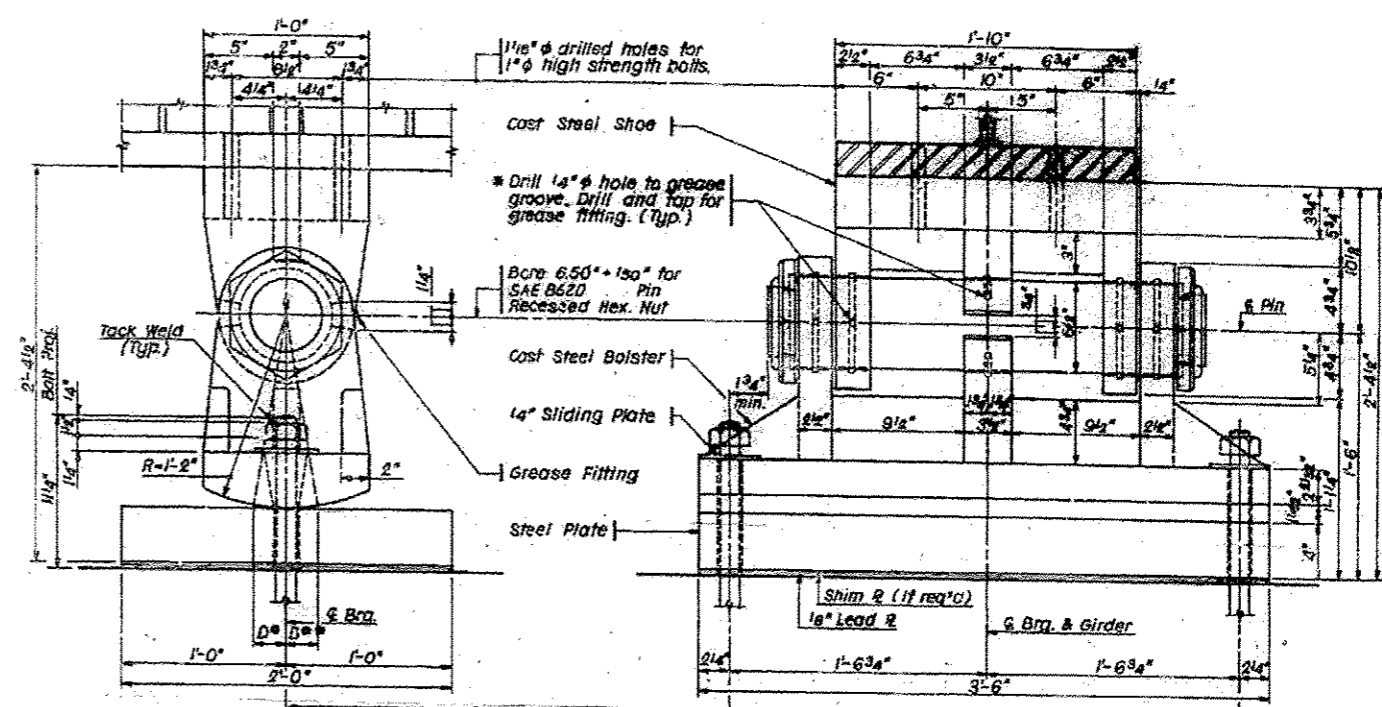
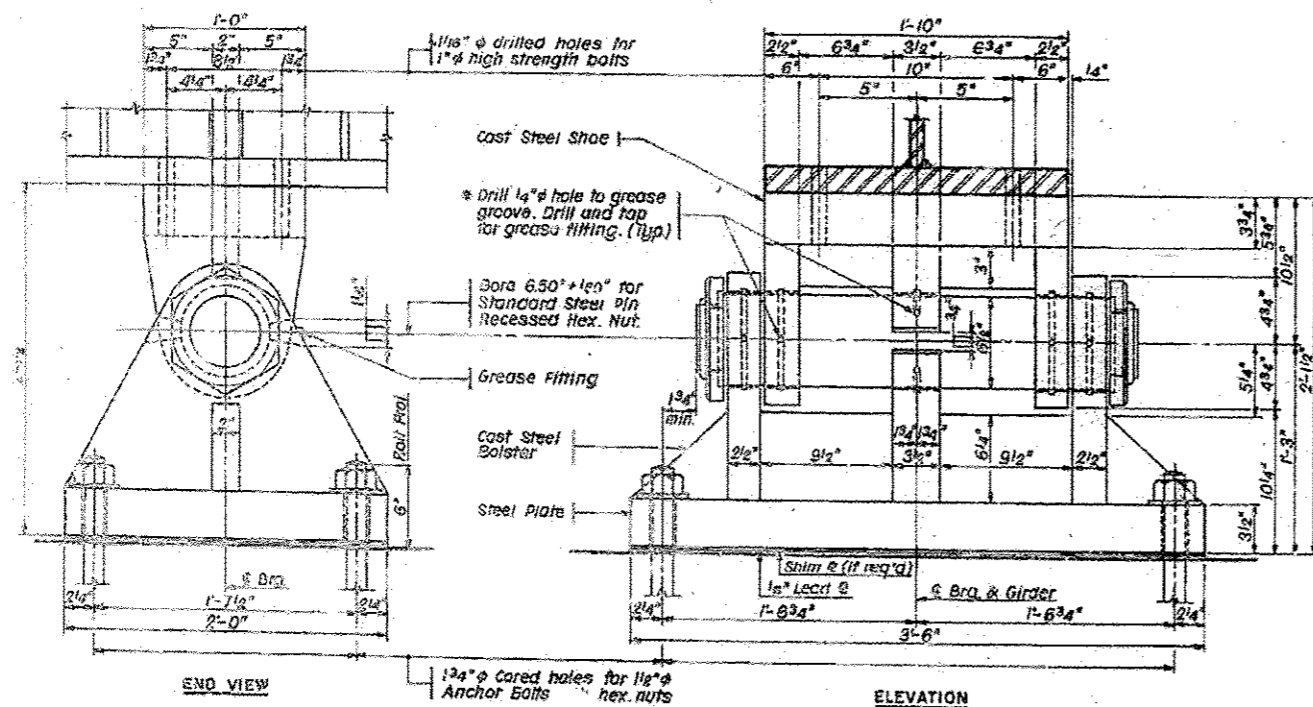


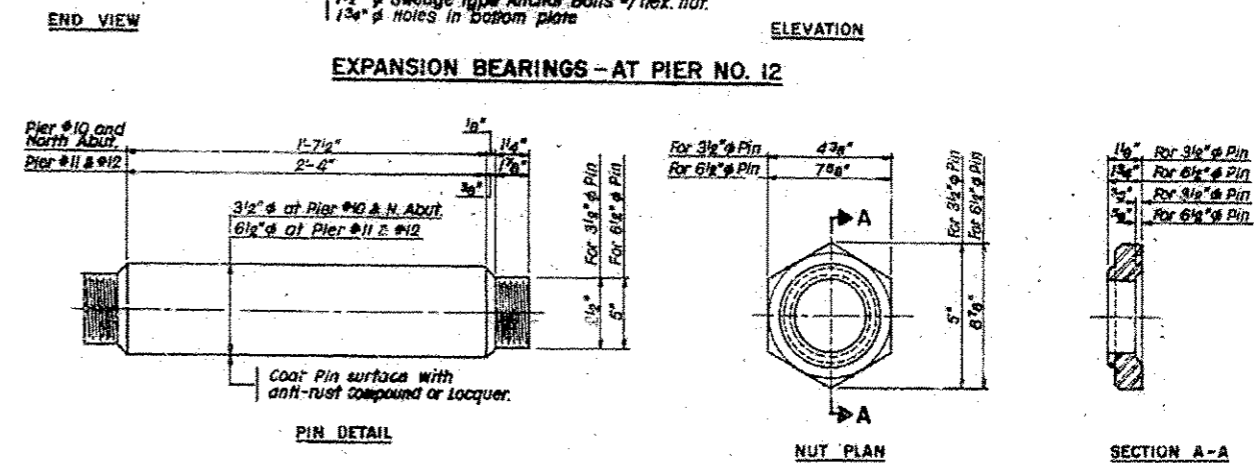
EXPANSION BEARING - AT PIER NO. 10 AND NORTH ABUT.



EXPANSION BEARINGS - AT PIER NO. 12



FIXED BEARINGS - AT PIER NO. 11



BEARING ASSEMBLY DETAILS

FILE NAME *	USER NAME * wduardj	DESIGNED -	REVISED -	STATE OF ILLINOIS DEPARTMENT OF TRANSPORTATION	BEARING DETAILS SN 010-2400 US 12/2045 OVER S&S AND I&M CANALS AND ICG RR	F.A.B. RFE.	SECTION	COUNTY	TOTAL SHEETS	SHEET NO.	
ca:\pwwork\wduardj\wduardj\10210773\010210773.dwg	013-013-plan.dwg	DRAWN -	REVISED -			330	2012-054_BP	COOK	25	16	
	PLOT SCALE = 1/8" = 1'-0"	CHECKED -	REVISED -			CONTRACT NO. 60V56					
##MODELNAME#	PLOT DATE = 9/20/2012	DATE -	REVISED -			ILLINOIS FED. AID PROJECT					
						SCALE: _____ SHEET 11 OF 11 SHEETS STA. _____ TO STA. _____					