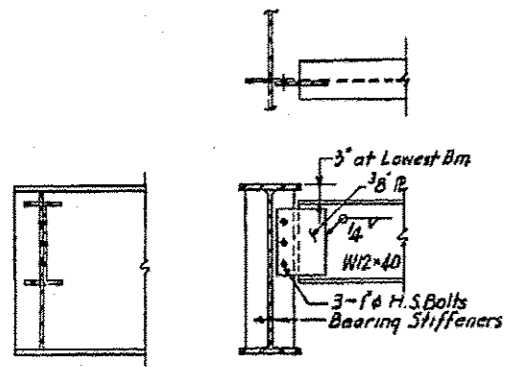
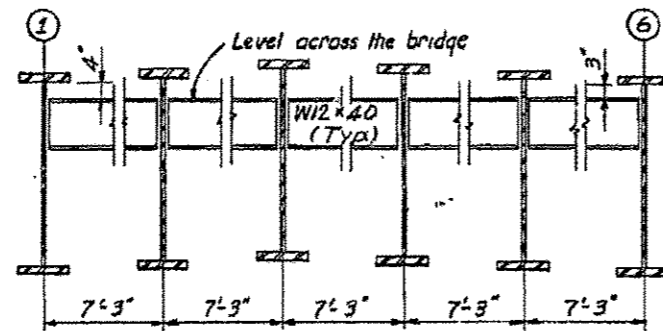


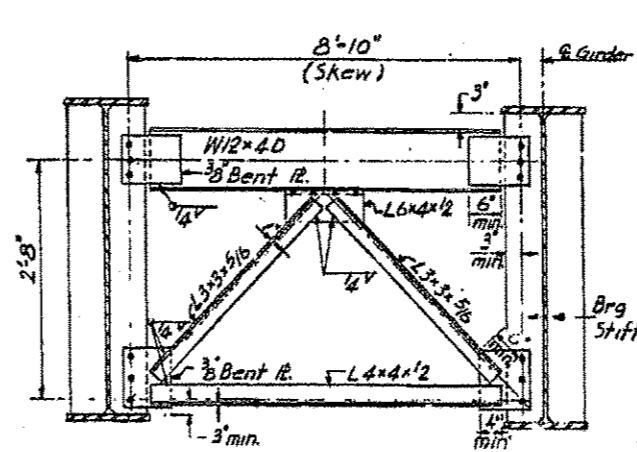
FOR INFORMATION ONLY



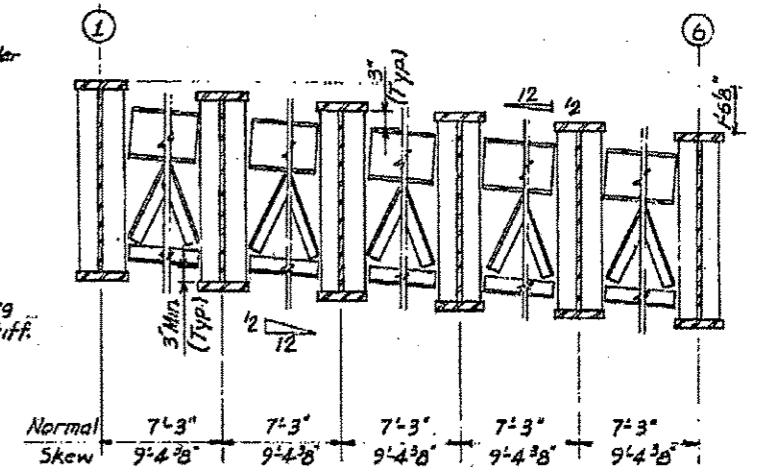
END DIAPHRAGM 'D'
(At South Abutment)



ELEV. END DIAPHRAGM 'D'



TYP. END CROSS FRAME 'D3'
(At North Abutment)



ELEV. END CROSS FRAME 'D3'

FILE NAME *	USER NAME * reichenbach	DESIGNED -	REVISED -	STATE OF ILLINOIS DEPARTMENT OF TRANSPORTATION	DIAPHRAGM AND CROSS FRAME DETAILS SN 016-2467: US 122045 OVER DES PLAINES RIVER & SANTA FE DR	F.A.P. RTE.	SECTION	COUNTY	TOTAL SHEETS	SHEET NO.	
c:\pwwork\pwwork\reichenbach\1\0313773	0180513-shs-plan.dgn	DRAWN -	REVISED -			330	2012-054 BP	COOK	75	70	
PLOT SCALE * 1/8"=1'-0"		CHECKED -	REVISED -			CONTRACT NO. 60V56					
PLOT DATE * 9/20/2012		DATE -	REVISED -			ILLINOIS FED. AID PROJECT					
MODEL NAME *						SCALE:	SHEET 27	OF 30	SHEETS	STA.	TO STA.